



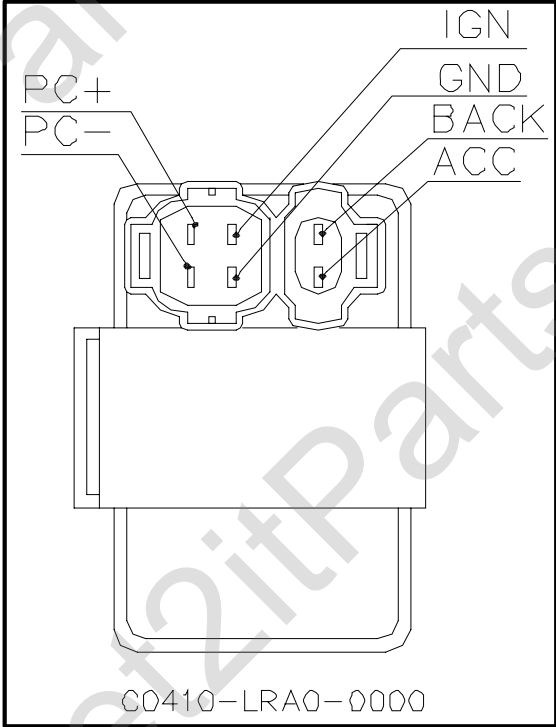
ETON America, LLC



Service Bulletin

Bulletin No.: **SB-0037**
Date: 05/01/2006

C.D.I. Module Specifications Vector 250



VXL-250 -- C0410-LRA0-0000 Electric resistance(Ω) specification

	ACC	PC+	PC-	IGN	BACK	GND
ACC		50-70K	1-2K	∞	20-30K	4.8-5.2K
PC+	∞		30-50K	∞	80-100K	30-50K
PC-	∞	30-50K		∞	7-8K	0
IGN	∞	50-60K	1-3K		13-15K	1-3K
BACK	∞	∞	∞	∞		∞
GND	∞	30-40K	0	∞	7-8K	

Specifications highlighted in yellow are the suggested critical testing points. Test points should be tested first.

We suggest using analogy type multi-meter to test the electric resistance. We have found using digital type meter produces to many inaccurate readings.