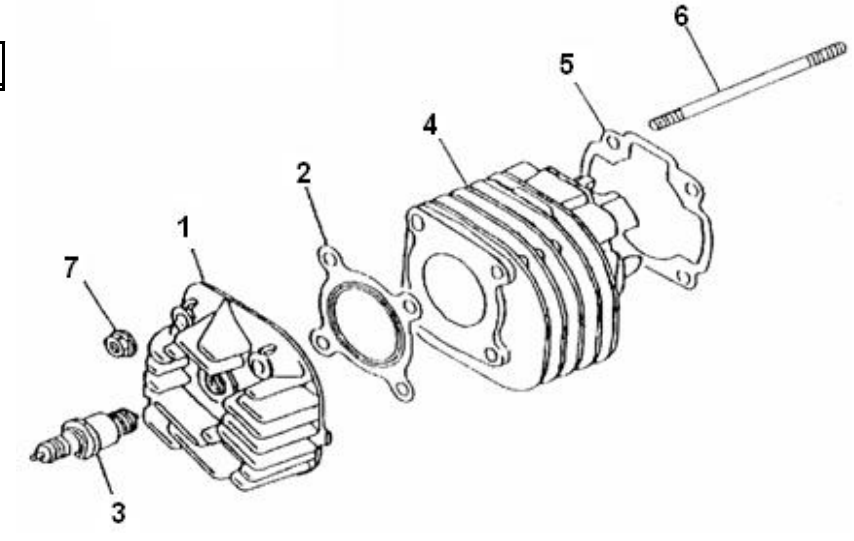


QJ1E40QMB(老) JCK (Q16-27) -QJ50QT-5-1A (1010201.00301)
QJ1E40QMB(老) JCK (Q16-46) -QJ50QT-5-1A (1010201.01101)
QJ1E40QMB(老) JCK (Q16-66) -QJ50QT-5-1A (1010201.00501)

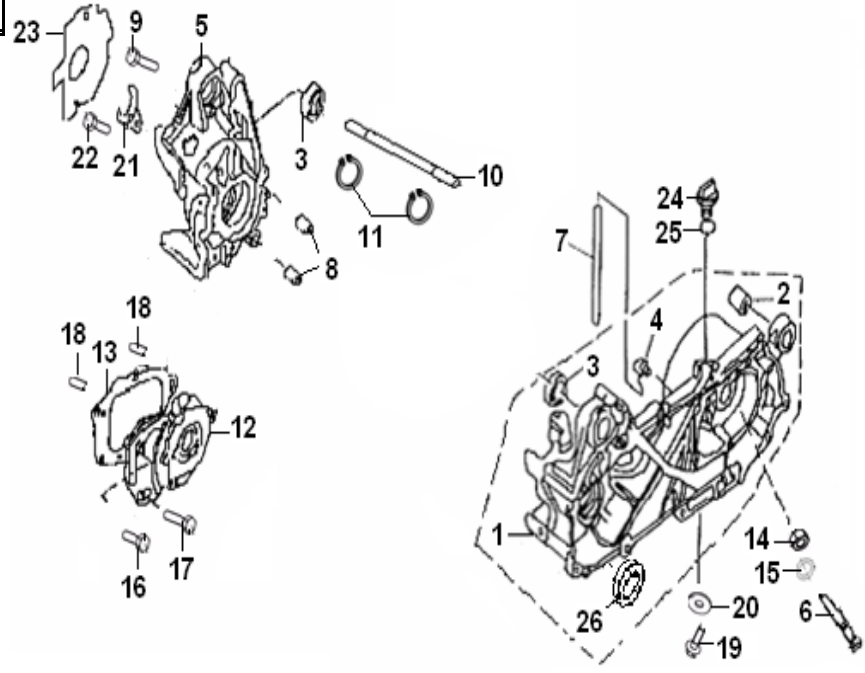
E01.1 CYLINDER HEAD ASSY. for EPA and NON-EEC market

NO.	CODE	DESCRIPTION	QTY	NOTES	Season	OLD CODE
1	30701B01F00A	CYLINDER HEAD	1	for EPA and NON-EEC market		
2	30507B01F000	GASKET,CYLINDER HEAD	1			
3	201204.006000	SPARK PLUG (E7RTC)	1	for EPA market		
4	27101B01F00A	CYLINDER	1			
5	204204.001000	GASKET,CYLINDER	1			
6	26107B01F910	STUD BOLT	4			
7	304290700063	NUT	4	for EPA and NON-EEC market		



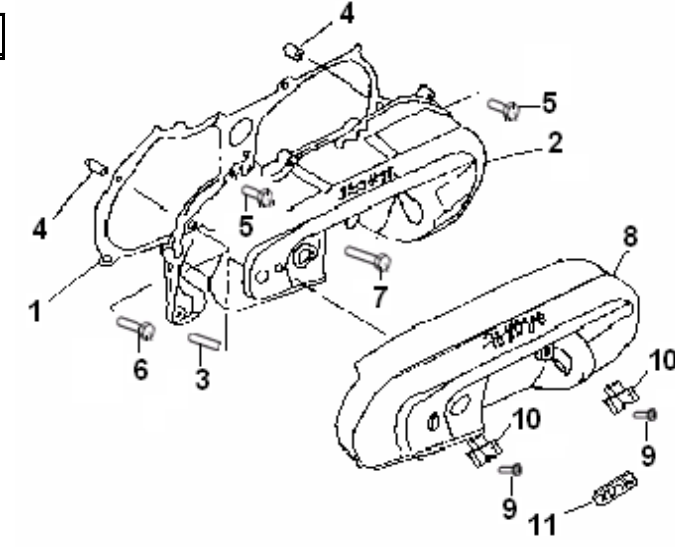
E02 CRANKCASE ASSY.

NO.	CODE	DESCRIPTION	QTY	NOTES	Season	OLD CODE
1	26100B01F000	CRANKCASE,LH	1			
2	26108G02F000	BUSH,ENGINE MOUNTING	1			
3	B12046600300	bearing 6003-2RS	2			
4	26126G02F000	BREATHER PLUG	1			
5	26200B01F000	CRANKCASE,RH	1			
6	26142G02F000	BRAKE SHOE ANCHOR PIN ASSY	1			
7	26105G02F000	HOSE	1			
8	26123G02F000	DOWEL PIN 12X16	2			
9	302270603562	SCREW M6X35	6			
10	26109B01F000	AXLE,engine mount	1			
11	B08010001700	CIRCLIP 17	2			
12	18101G02F001	COVER, GEAR BOX	1			
13	214201.001000	GASKET,GEAR BOX	1			
14	B04070812553	NUT M8	1			
15	26143G02F000	O RING	1			
16	B01070603063	SCREW M6X30	2			
17	B01070602263	SCREW M6X22	3			
18	26208J01F000	DOWEL PIN 10X14	2			
19	301310801605	FLANGE BOLT	1			
20	18105H03F000	WASHER 8	1			
21	26214G02F000	HOLDER	1			
22	301310601262	SCREW M6X12	1			
23	206321.001000	GASKET	1			
24	206407.004083	OIL PLUG	1			
25	26102G02F000	O-RING	1			
26	26112G02F000	SHAFT COLLAR	1			



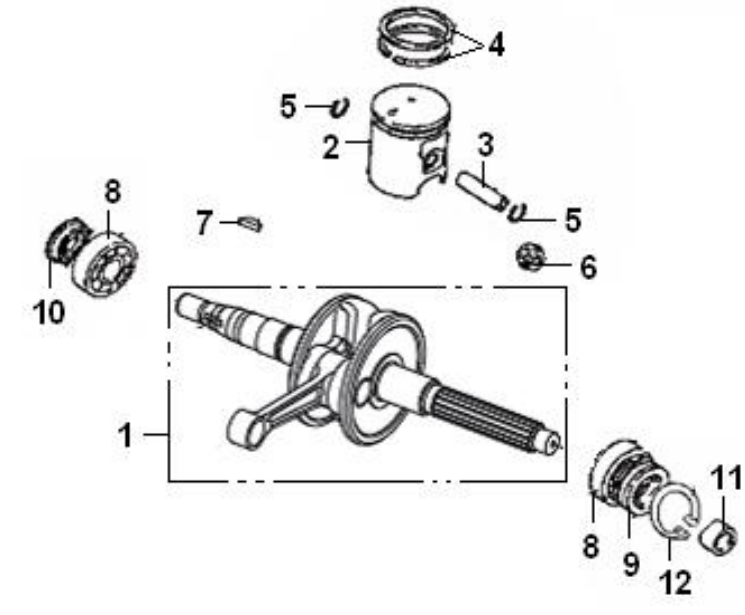
E03 SIDE COVER ASSY.

NO.	CODE	DESCRIPTION	QTY	NOTES	Season	OLD CODE
1	207208.009000	GASKET,SIDE COVER	1			
2	207200.048000	SIDE COVER	1	for vehicles with protecting cover(NO.8)		
3	26128G02F000	SHAFT	1			
4	26208J01F000	DOWEL PIN 10X14	2			
5	302270602565	SCREW M6X25	8			
6	302270603565	SCREW M6X35	2			
7	302270606565	PAN HEAD SCREW M6X65	1			
8	14300G02F000	PROTECTING COVER	1	for vehicles with protecting cover		
9	14112G02F000	SCREW M6	2	for vehicles with protecting cover		
10	14113G02F000	NUT BUSH,rubber	2	for vehicles with protecting cover		



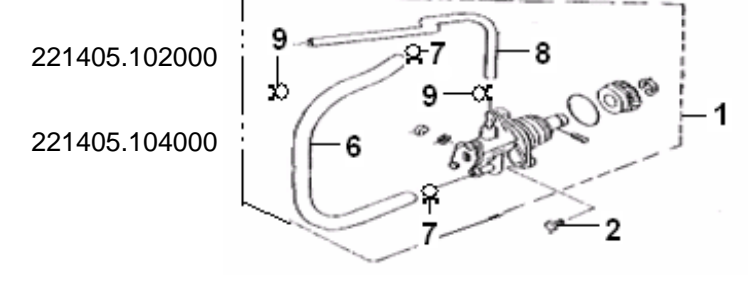
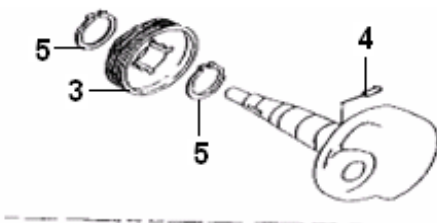
E04 PISTON CRANKSHAFT CONNECTING ROD ASSY.

NO.	CODE	DESCRIPTION	QTY	NOTES	Season	OLD CODE
1	208100.022000	CRANKSHAFT,ASSY	1			
2	15100B01F00B	PISTON ASSY	1			
3	15105B16F000	PISTON PIN	1			
4	15103B01F000	PISTON RING ASSY(AVL)	1 set 1 set is 2 pieces			
5	15111G02F000	CIRCLIP	2			
6	15110B16F000	NEEDLE BEARING(TPI)	1			
7	15101B01F000	WOODRUFF KEY 3X5X13	1			
8	B12016620453	BALL BEARING 6204/P53 (TPI)	2			
9	15213G02F000	OIL SEAL 20X42X8	1			
10	26215G02F000	OIL SEAL ASSY 20X30X6	1			
11	15214G02F000	COLLAR	1			
12	17308G02F000	CIRCLIP	1			



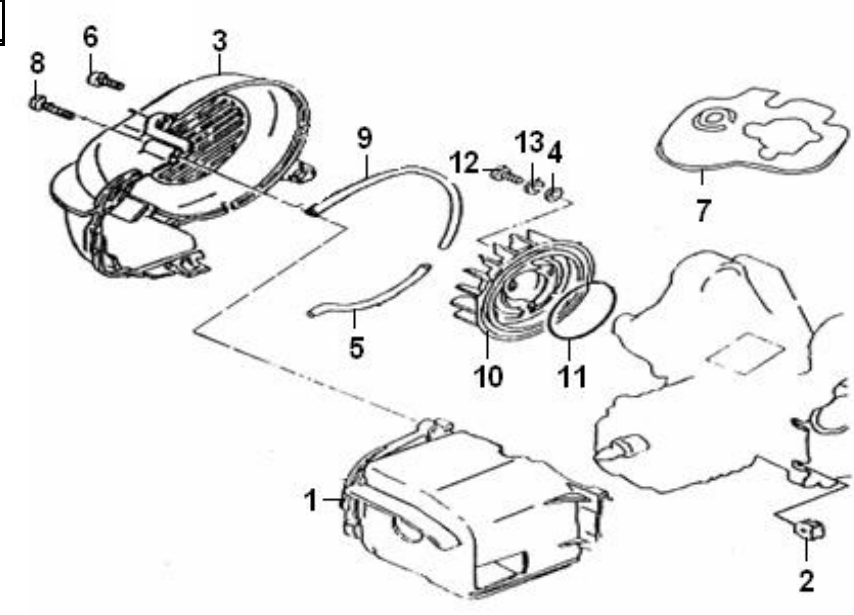
E05 OIL PUMP ASSY.

NO.	CODE	DESCRIPTION	QTY	NOTES	Season	OLD CODE
1	219101.012000	OIL PUMP ASSY	1	for EPA and NON-EEC market		
2	B02000501463	SCREW	2			
3	15211G02F000	PUMP DRIVE GEAR	1			
4	B090103014C0	PIN	1			
5	15106G02F910	CIRCLIP	2			
6	221405.103000	HOSE,OIL INLET	1	690mm		
7	19213G02F00A	HOSE CLIP	2			
8	221405.101000	HOSE,OIL OUTLET	1			
9	19217G02F00A	HOSE CLIP	2			



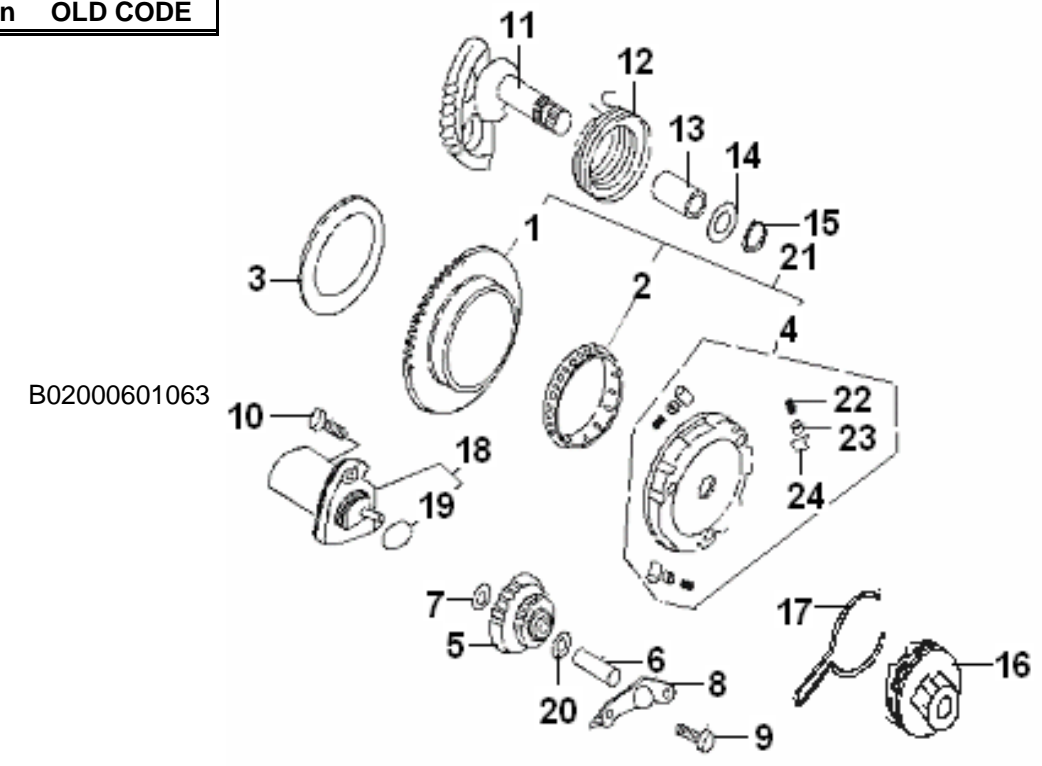
E06 AIR COOLING SYSTEM

NO.	CODE	DESCRIPTION	QTY	NOTES	Season	OLD CODE
1	20301B01F000	COWLING,cylinder	1			
2	20303G02F000	GROMMET	2			
3	20200B01F000	COVER ASSY (FAN)	1			
4	B07030000600	WASHER φ6	3			
5	20208G02F000	BEADING (RUBBER)	1			
6	302270602065	BOLT M6X20	2			
7	20102G02F000	DUST COVER (RUBBER)	1			
8	3050355040F5	SCREW ST5.5X40-F	1			
9	20206G02F000	BEADING (RUBBER)	1			
10	20401B01F000	FAN ASSY	1			
11	20402G02F000	RUBBER RING 70X3.1	1			
12	301310601665	SCREW M6X16	3			
13	B07000000600	SPRING WASHER φ6	3			



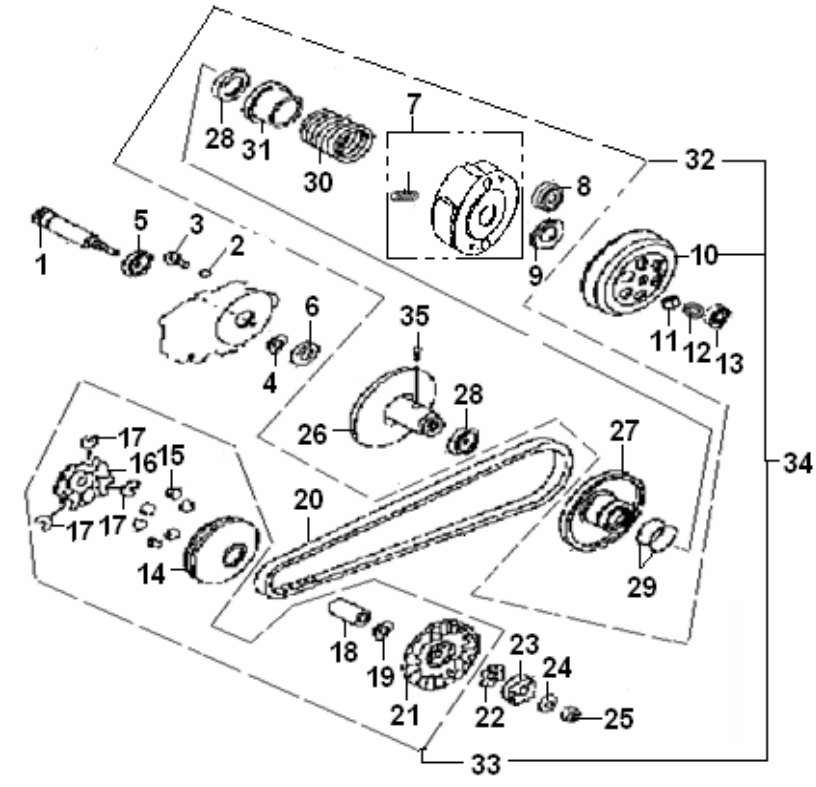
E07 KICK STARTER ASSY.

NO.	CODE	DESCRIPTION	QTY	NOTES	Season	OLD CODE
1	34120G02F000	START GEAR ASSY	1			
2	34121G02F000	NEEDLE BEARING 26400	1			
3	34123G02F000	THRUST WASHER	1			
4	34110G02F00A	START HOLDER ASSY	1			
5	34126G02F000	DRIVEN GEAR,STARTER	1			
6	26128G02F000	IDLE GEAR SHAFT	1			
7	34122G02F000	PLATE WASHER 8	1			
8	34125G02F000	IDLE GEAR HOLDER	1			
9	301310601062	SCREW M6X10	2			
10	302040602062	SCREW M6X20	2			
11	216100.004000	SHAFT, kick starter	1			
12	17407G02F000	SPRING	1			
13	216217.001000	BUSH	1			
14	307991005552	WASHER ,kick starter	1			
15	308090150000	CIRCLIP 15	1	for EPA and NON-EEC market		
16	17415G02F000	KICK PINION ASSY	1			
17	17418G02F930	CLIP	1			
18	218100.018472	STARTING MOTOR ASSY	1	for EPA and NON-EEC market		
19	B190102120B0	O-RING	1			
20	34130G02F000	PLATE WASHER	1			
21	217100.100000	START CLUTCH ASSY	1			
22	34404G02F00A	SPRING	3			
23	34405G02F00A	CAP	3			
24	34402G02F00A	ROLLER	3			



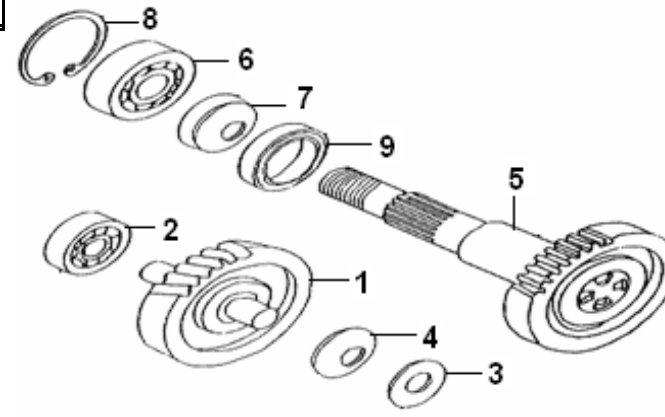
E08 CLUTCH ASSY.

NO.	CODE	DESCRIPTION	QTY	NOTES	Season	OLD CODE
1	24201B01F000	PRIMARY DRIVE SHAFT old	1	old primary drive shaft with one piece $\phi 6.7 \times 3$ RING (E08-12)		
1	220011160000	PRIMARY DRIVE SHAFT new	1	new primary drive shaft with 2 pieces $\phi 5.5 \times 1.5$ RING (E08-12)	2009	24201B01F000
2	18114G02F000	PLATE WASHER	1			
3	B01090801263	PAN HEAD SCREW M8X12	1			
4	B08010001700	CIRCLIP 17	1			
5	B12016600300	ROLING BEARING 6003	1			
6	24203G02F000	OIL SEAL 17X28X5	1			
7	24301B01F000	CLUTCH ASSY,shoe	1			
8	24245G02F000	BALL BEARING 6003	1			
9	24303G02F000	NUT M28X1	1			
10	24700G02F000	CLUTCH DRUM	1			
11	24305G02F940	NUT M10X1	1			
12	24243G02F000	RING $\phi 6.7 \times 3$	1	for old primary drive shaft		
12	200492080000	RING $\phi 5.5 \times 1.5$	2	for new primary drive shaft	2009	24243G02F000
13	24209G02F000	BEARING 8X28X8	1			
14	24101G02F000	FACE, movable drive	1			
15	213119.003000	ROLLER(5g)	1	6pcs/set		
16	24103G02F000	PLATE, movable drive	1			
17	24104G02F000	DAMPER	3			
18	24105G02F000	COLLAR	1			
19	24106B01F000	WASHER	1			
20	229011160020	V BELT. DRIVE	1	brand :MITSUBOSHI		24107B01F000
21	24108G02F000	FACE, FIXED DRIVE	1			
22	24109G02F000	STAR WASHER	1			
23	213203.001161	RATCHET (STARTING)	1			
24	15112G02F010	WASHER, SPRING	1			
25	B04031212553	NUT M12X1.25	1			
26	24204G02F000	FACE, FIXED DRIVEN	1			
27	24205G02F000	FACE, MOVABLE DRIVEN	1			
28	24206G02F000	OIL SEAL 33X39X4	2			
29	24207G02F000	O-RING 1.7X38.7	2			
30	24308B01F000	SPRING	1			
31	24309G02F930	SEAT, SPRING	1			
32	24200B01F000	DRIVEN PULLY COMP.	1			
33	213100.039000	DRIVE PULLEY COMP.	1			
34	213100.010000	SHIFT ASSY(with 5g rollers)	1			
35	24208G02F000	GUIDE PIN	2			



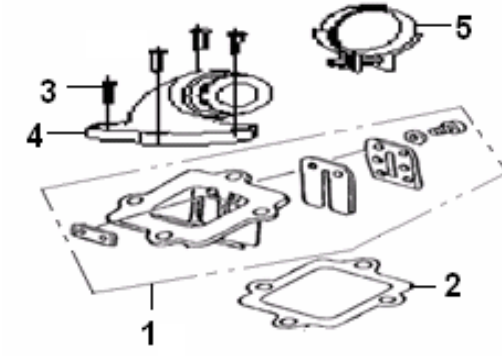
E09 TRANSMISSION SYSTEM ASSY.

NO.	CODE	DESCRIPTION	QTY	NOTES	Season	OLD CODE
1	17800B01F000	IDLE SHAFT	1			
2	B12016620100	BEARING 6201	1			
3	17509G02F000	PLATE WASHER12	1			
4	17802G02F000	WASHER, CONICAL	1			
5	17300B01F000	DRIVEN SHAFT(GEAR BOX)	1			
6	B12016600400	BEARING 6004	1			
7	17317G02F000	OIL SEAL 25X35X6	1			
8	17308G02F000	CIRCLIP 42MM	1			
9	26136G02F000	NEEDLE BEARING	1			



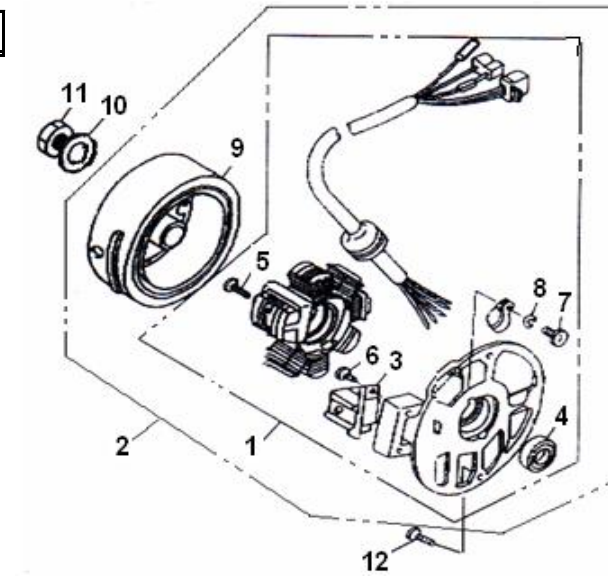
E10 REED VALVE ASSY.

NO.	CODE	DESCRIPTION	QTY	NOTES	Season	OLD CODE
1	32300G02F000	REED VALVE ASSY	1			
2	202306.002000	VALVE SEAT GASKET	1			
3	302040602065	SCREW M6X20	4			
4	32200G02F000	PIPE, intake	1			
5	202104.006000	CLIP	1			



E11 MAGNETO ASSY.

NO.	CODE	DESCRIPTION	QTY	NOTES	Season	OLD CODE
1	34310G02F000	COIL ASSY	1			
2	223100.100000	MAGNETO ASSY 15°	1			
3	34330G02F000	PULSE TRIGGER	1			
4	34350G02F000	OIL SEAT	1			
5	B02000502522	SCREW M5X25	2			
6	B02000501262	SCREW M5X12	2			
7	B02000400622	SCREW M4X6	1			
8	B07000000400	SPRING WASHER	1			
9	223101.019000	FLY WHEEL ASSY 15°	1			
10	B07030001200	WASHER 12-140HV	1			
11	15228H03F000	NUT M12X1.25	1			
12	B01070601664	NUT M6X16	2			



E12 CARBURETOR ASSY. (MIKUNI)

NO.	CODE	DESCRIPTION	QTY	NOTES	Season	OLD CODE
1	32510B01F000	NEEDLE JET	1			
2	32511B01F000	PISTON VALVE	1			
3	224202.100000	MAIN JET 70#	1		3390008E0020	
4	32612B01F000	ENRICH VALVE	1			
5	32619B01F000	FLOAT PIN	1			
6	32620B01F000	FLOAT	1			
7	32701B01F000	GASKET	1			
8	32609B01F000	IDLE JET	1		224203.036000	
9	224100.043000	CARBURETOR ASSY(MIKUNI, MJ70,NJ22.5,without heater socket kept,full speed)	1			3311508E0010
10	32508B01F000	V-shaped Clip	1			

