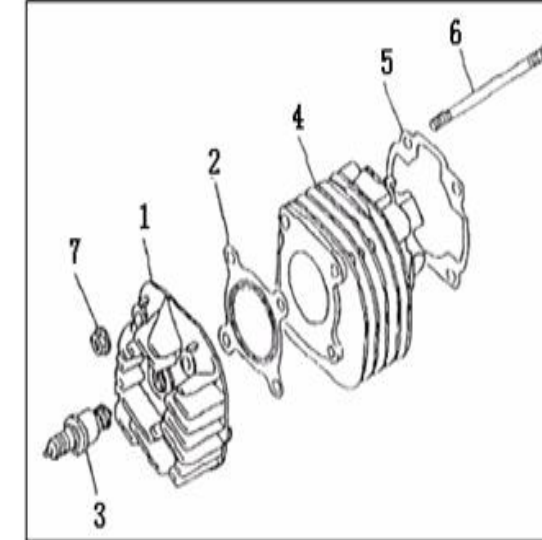


MODEL: QJ1E40QMB-4, USED FOR F-ACT50, MATRIX50

(NOTES: THIS ENGINE PARTS CATALOG IS EXACTLY SAME AS F-ACT50's ENGINE PARTS CATALOG)

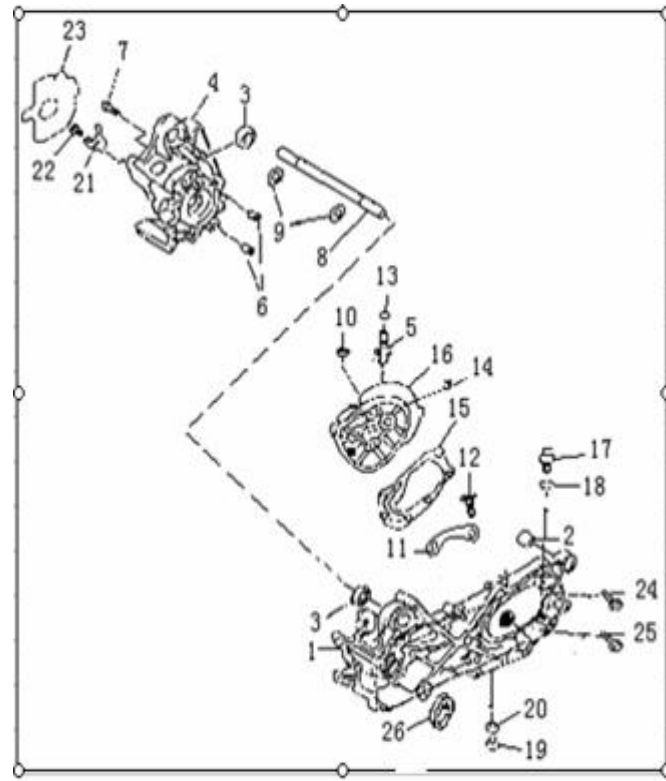
E01.2 CYLINDER HEAD ASSY (FOR EPA(NORTH AMERICA) MARKET)

NO.	CODE	DESCRIPTION	QTY.	NOTES	OLD CODE
1	30701B01F00A	HEAD,CYLINDER	1	EPA	
2	30507B01F000	GASKET,CYLINDER HEAD	1	EPA	
3	201204.013000	SPARK PLUG (BR8HSA)	1	EPA	
4	27101B01F00A	CYLINDER	1	EPA	
5	204204.001000	GASKET,CYLINDER (NON-ASBESTUS)	1	EPA	
6	26107B01F910	STUD BOLT	4	EPA	
7	304290700062	NUT	4	EPA	



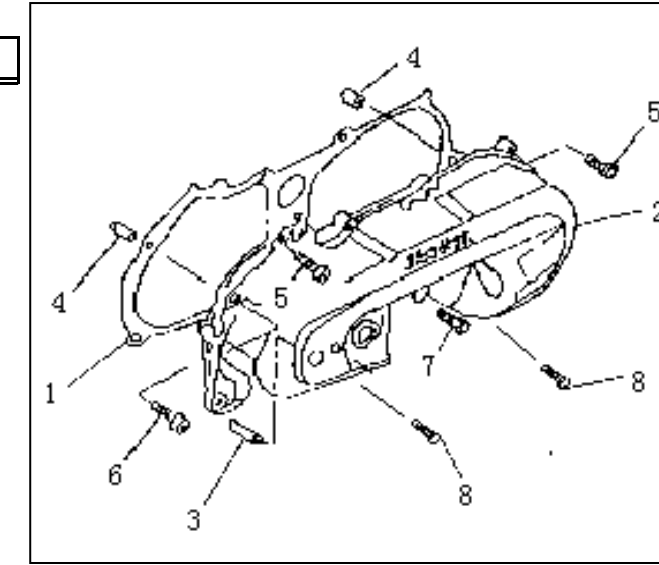
E02 CRANKCASE ASSY

NO.	CODE	DESCRIPTION	QTY.	NOTES	OLD CODE
1	206200.045000	CRANKCASE,LH	1	for EPA (North America) market	
2	26108G02F000	BUSH,ENGINE MOUNTING	1		
3	B12016600300	BEARING	2		
4	26211B09F001	CRANKCASE,RH	1	launch on April 2008	
5	26142G02F000	BRAKE SHOE	1		
6	26123G02F000	DOWEL PIN	2		
7	301310603565	PAN HEAD SCREW (chromeplated)	6		
8	26109B09F000	AXLE,engine mount	1		
9	B08010001700	CIRCLIP	2		
10	B04070812553	NUT	1		
11	26214B09F000	BEARING HOLDER	1		
12	B02000601262	PAN HEAD SCREW	2		
13	14222J01F000	O-RING	1		
14	26123G02F000	DOWEL PIN	2		
15	214201.004000	MISSION CASE GASKET (NON-ASBESTUS)	1		
16	18101B09F000	COVER, GEAR BOX	1		
17	206407.004081	OIL PLUG (black)	1		
18	26102G02F000	O RING	1		
19	301310801605	FLANGE BOLT (chromeplated)	1		
20	18105H03F000	PLATE WASHER	1		
21	26214G02F910	OIL SEAL HOLDER	1		
22	301310601263	PAN HEAD SCREW M6X12	1		
23	206321.001000	GASKET (NON-ASBESTUS)	1		
24	301310805565	SCREW M8X55	2		
25	301310805065	SCREW M8X50	5		
26	207234.001000	bush	1		



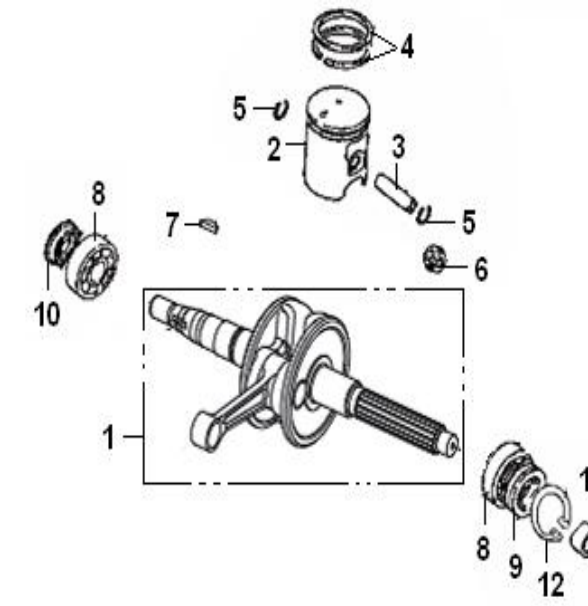
F03.2 SIDECOVER ASSY (FOR EPA(NORTH AMERICA) MARKET)

NO.	CODE	DESCRIPTION	QTY.	NOTES	OLD CODE
1	207208.017000	GASKET,L CRANKCASE (NON-ASBESTUS)	1	EPA	
2	207200.001082	L CRANKCASE COVER (silver)	1	silver	
2	169021070013	L CRANKCASE COVER(Gray, with "KEEWAY" mark)	1	gray	
3	26128G02F000	IDLE GEAR	1	for EPA (North America) market	
4	26208J01F000	DOWEL PIN 10x14	2	for EPA (North America) market	
5	301310602565	PAN HEAD SCREW M6X25 (chromeplated)	8	for EPA (North America) market	
6	301310603565	PAN HEAD SCREW M6X35 (chromeplated)	1	for EPA (North America) market	
7	301310606565	PAN HEAD SCREW M6X65 (chromeplated)	1	for EPA (North America) market	
8	302460601265	PAN HEAD SCREW M6X12 (chromeplated)	2	for EPA (North America) market	



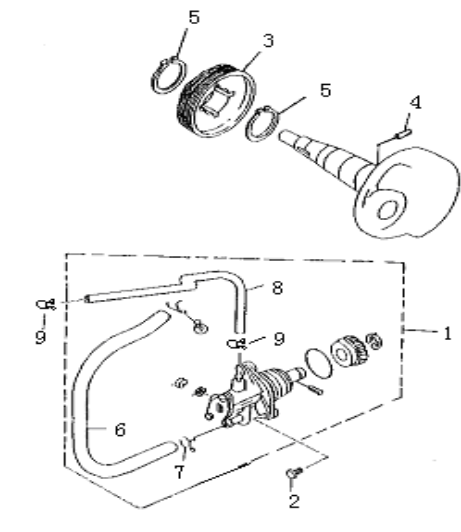
E04 PISTON CRANKSHAFT CONNECTING ROD ASSY

NO.	CODE	DESCRIPTION	QTY.	NOTES	OLD CODE
1	208100.022000	CRANKSHAFT,ASSY (TPI)	1		
2	15100B01F00B	PISTON ASSY	1	For NON-EEC and EPA market	
3	15105B16F000	PISTON PIN	1		
4	15103B01F000	PISTON RING ASSY (EPA market)	1set	AVL,for NON-EEC & EPA (North America) market (2 pcs/vehicle, order by set)	
5	15111G02F000	CIRCLIP	2		
6	15110B16F000	NEEDLE BEARING	1		
7	15101B01F000	WOODRUFF KEY	1		
8	B12016620453	BEATRING (TPI)	2		
9	15213G02F000	OIL SEAL	1		
10	26215G02F000	OIL SEAL ASSY	1		
11	15214G02F000	COLLAR	1		
12	17308G02F000	CIRCLIP	1		



E05 OIL PUMP ASSY

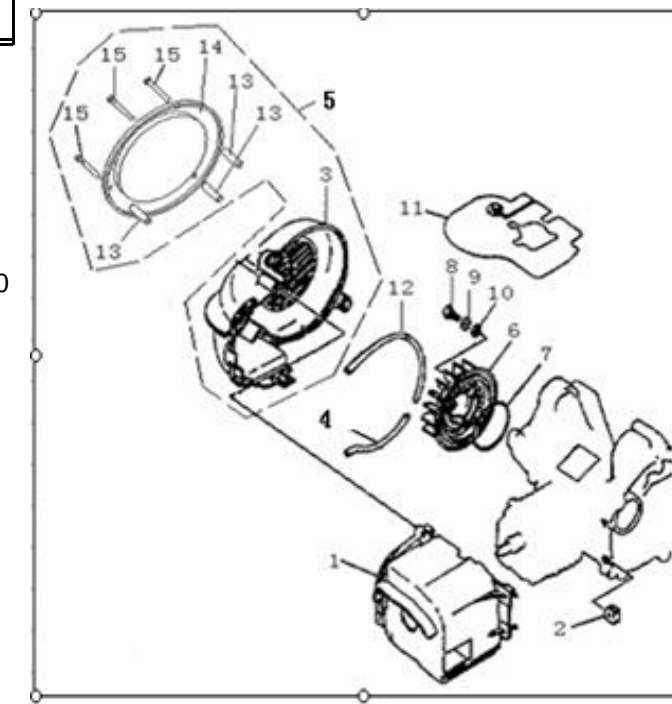
NO.	CODE	DESCRIPTION	QTY.	NOTES	OLD CODE
1	219101.008000	OIL PUMP ASSY (with Mark "502")	1	with Mark "502"	
1	269011070040	OIL PUMP ASSY (with Mark "50")	1	with Mark "50"	
2	B02000501463	SCREW	2		
3	15211G02F000	PUMP DRIVE GEAR	1		
4	B090103014C0	PIN	1		
5	15106G02F910	CIRCLIP	2		
6	221405.100000	HOSE,OIL INLET	1		
7	19213G02F00A	HOSE CLIP (chromeplated)	2		
8	221405.101000	HOSE,OIL OUTLET	1		
9	19217G02F00A	HOSE CLIP (chromeplated)	2		



E06 AIR COOLING SYSTEM

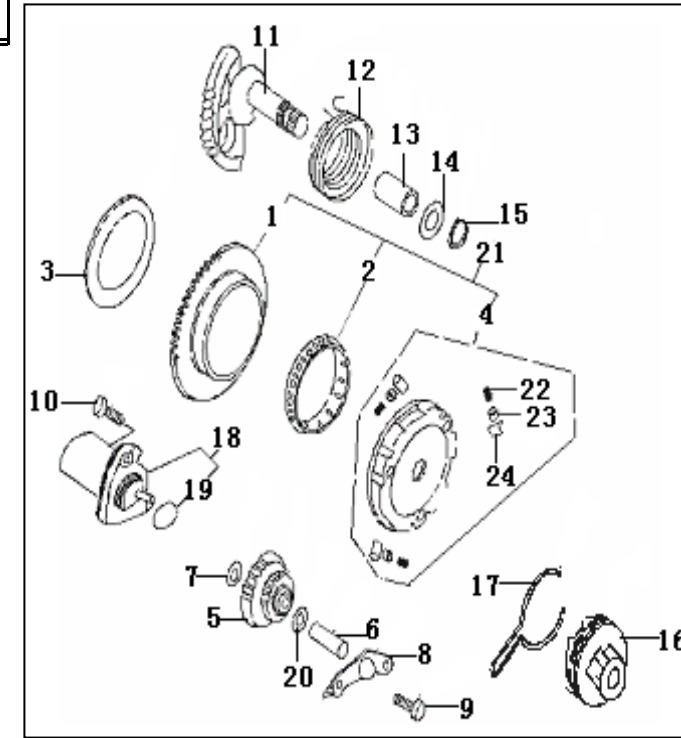
NO.	CODE	DESCRIPTION	QTY.	NOTES	OLD CODE
1	20301B01F000	COWLING,cylinder	1		
2	20303G02F000	GROMMET	2		
3	20201B09F000	COELING,fan (AVL)	1		
4	20208G02F000	MOLD,cowling (110)	1		
5	222103.009000	COELING ASSY,fan (with dustproof cover	1		
6	20401G02F000	FAN ASSY	1		
7	20402G02F000	RUBBER RING	1		
8	B02000601663	SCREW	3		
9	B07000000600	SPRING WASHER	3		
10	B07030000600	WASHER	3		
11	20102G02F000	PLATE	1		
12	20206G02F000	MOLD,cowling (220)	1		
13	20208B09F000	COLLOR	3		
14	222304.004000	COVER.DUSTPROOF (without bird-shaped mark)	1		
15	B02000403524	SCREW M4X35 (chromeplated)	3		

20401B01F000



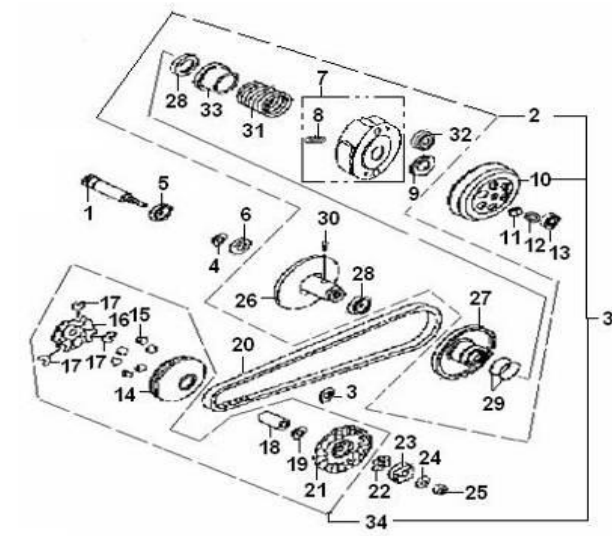
E07 KICK STARTER ASSY

NO.	CODE	DESCRIPTION	QTY.	NOTES	OLD CODE
1	34120G02F000	START GEAR ASSY	1		
2	34121G02F000	NEEDLE BEARING	1		
3	34123G02F000	THRUST WASHER	1		
4	34110G02F00A	START HOLDER ASSY	1		
5	34126G02F000	DRIVEN GEAR,STARTER	1		
6	26128G02F000	IDLE GEAR SHAFT	1		
7	34122G02F000	PLATE WASHER	1		
8	34125G02F000	IDLE GEAR HOLDER	1		
9	301310601062	SCREW M6X10	2	for EPA (North America) market	
10	302040602065	SCREW	2		
11	216100.004000	SHAFT, kick starter (full speed)	1	for vehicle with full speed in EPA & NON-EEC market	
12	17407G02F000	SPRING	1		
13	216217.001000	BUSH (full speed)	1	for vehicle with full speed in EPA & NON-EEC market	
14	307991005552	WASHER ,kick starter	1		
15	308090150003	CIRCLIP	1		
16	17415G02F000	KICK PINION ASSY	1		
17	17418G02F930	CLIP	1		
18	218100.017472	STARTING MOTOR ASSY (chromeplated)	1		
19	B190102120B0	O-RING	1		
20	34130G02F000	PLATE WASHER	1		
21	217100.100000	START CLUTCH ASSY	1		
22	34404G02F00A	SPRING	3		
23	34405G02F00A	CAP	3		
24	34402G02F00A	ROLLER	3		



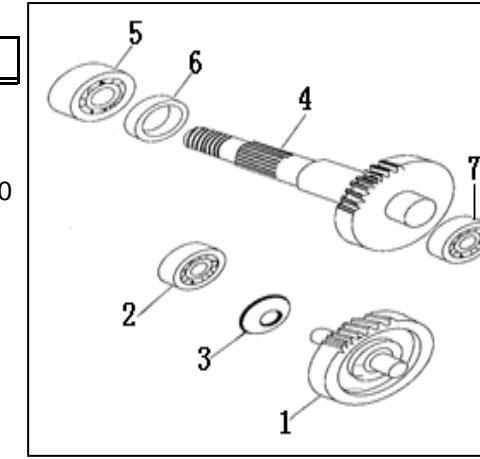
E08. CLUTCH ASSY

NO.	CODE	DESCRIPTION	QTY.	NOTES	OLD CODE
1	24201B09F000	PRIMARY DRIVE SHAFT old	1	Engine No. before QJ1E40QMB-4*93007020	
1	229041070000	PRIMARY DRIVE SHAFT new	1	Start Engine No.QJ1E40QMB-4*93007020	24201B09F000
2	24200B01F000	DRIVEN PULLY and CLUTCH ASSY	1		
4	B08010001700	CIRCLIP	1		
5	B12016620300	ROLING BEARING 6203	1		
6	24203B09F000	OIL SEAL	1		
7	24301B01F000	CLUTCH ASSY,shoe	3		
8	24302B01F000	SPRING	3		
9	24303G02F000	NUT	1		
10	24700G02F000	HOUSING	1		
11	24305G02F940	NUT	1		
12	24243G02F000	RING φ6.7X3	1	Engine No. before QJ1E40QMB-4*93007020	
12	200492080000	RING φ5.5X1.5	2	Start Engine No.QJ1E40QMB-4*93007020	24243G02F000
13	24209G02F000	BEARING 638Z	1		
14	24101G02F000	FACE,movable drive	1	for vehicle with full speed in EPA & NON-EEC market	
15	213119.004000	ROLLER (4g, EPA/North America market)	1	4g,used for EPA(North America) market, (1 set is 6 pieces)	
16	24103G02F000	PLATE,movable drive	1		
17	24104G02F000	DAMPER	3		
18	24105G02F000	COLLER	1		
19	24106B01F000	WASHER	1		
20	24107B01F000	V BELT,DRIVE (MITSUBOSHI)	1	brand :MITSUBOSHI	
20	229011160020	V BELT, DRIVE (BANDO)	1	brand :BANDO	
21	24108G02F000	FACE,FIXED DRIVE	1	for NON-EEC & EPA	24108B09F000
22	24109G02F000	PLATE,WOODRUFF KEY	1		
23	213203.001161	STARTING DISC	1		
24	15112G02F010	WASHER,SPRING	1		
25	B04031212553	NUT M12X1.25	1		
26	24204G02F000	FACE,FIXED DRIVEN	1		
27	24205G02F000	FACE,MOVABLE DRIVEN	1		
28	24206G02F000	OIL SEAL	1		
29	24207G02F000	O-RING	2		
30	24208G02F000	PIN,GUIDE	2		
31	24308B01F000	SPRING	1		
32	24245G02F000	ROLLER BEARING	1		
33	24309G02F930	SEAT,SPRING	1		
34	200111040000	DRIVE ASSY 4g	1	for EPA market	24100B09F000
35	213100.009000	SHIFT ASSY (with 4g roller)	1	4g,used for EPA (North America) market	
36	B01090801263	PAN HEAD SCREW	1		
37	18114G02F000	PLATE WASHER	1		



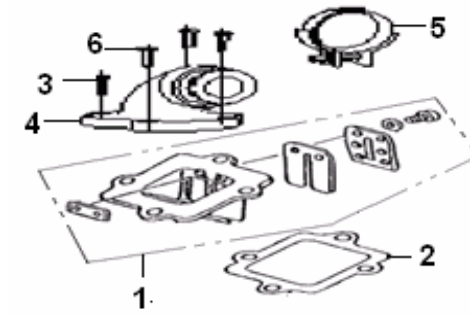
E09.2 TRANSMISSION SYSTEM ASSY (FOR EPA(NORTH AMERICA) MARKET)

NO.	CODE	DESCRIPTION	QTY.	NOTES	OLD CODE
1	17800G16F000	SHAFT,IDLE	1	for EPA (North America) market	
2	B12016620000	BEARING 6200	1	for EPA (North America) market	
3	17732J01F000	WASHER, PLANE	1	for EPA (North America) market	
4	17300G16F000	DRIVEN SHAFT(GEAR BOX)	1	for EPA (North America) market	17802J01F000
5	B12016600400	NEEDLE BEARING 6004-2RS	1	for EPA (North America) market	
6	17317B09F000	OIL SEAL 25X44X7	1	for EPA (North America) market	
7	B12016620200	NEEDLE BEARING 6202	1	for EPA (North America) market	



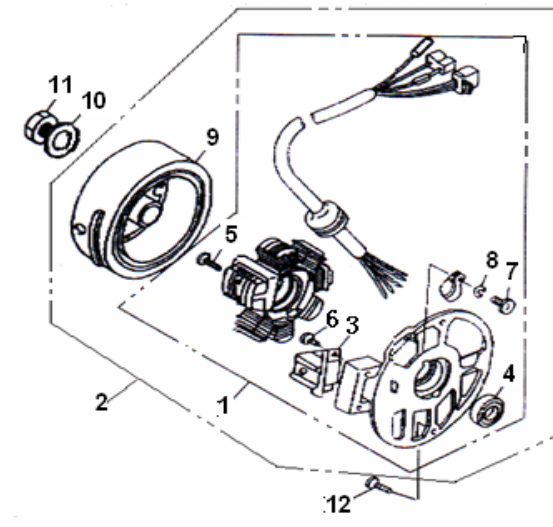
E10 REED VALVE ASSY

NO.	CODE	DESCRIPTION	QTY.	NOTES	OLD CODE
1	32300G02F000	REED VALVE ASSY	1		
2	202306.002000	VALVE SEAT GASKET (NON-ASBESTUS)	1		
3	302040602065	SCREW M6X20	4	used for full speed vehicle in EPA and NON-EEC market	
4	32200G02F000	PIPE, intake	1		
5	202104.006000	CLIP	1	used for full speed vehicle in EPA and NON-EEC market	
6	206412.001472	SCREW	1	used with NO.3	



E11 MAGNETO ASSY

NO.	CODE	DESCRIPTION	QTY.	NOTES	OLD CODE
1	34310G02F000	COIL ASSY	1	for EPA (North America) market	
2	223100.100000	MAGNETO ASSY (15°)	1	for EPA (North America) market	
3	34330G02F000	PULSE TRIGGER	1		
4	34350G02F000	OIL SEAT	1		
5	B02000502522	SCREW	2		
6	B02000501262	SCREW	2		
7	B02000400622	SCREW	1		
8	B07000000400	SPRING WASHER	1		
9	223101.019000	FLY WHEEL ASSY (15°)	1	for EPA (North America) market	
10	B07030001200	WASHER	1		
11	15228H03F000	NUT	1		
12	B01070601664	NUT	2		B02270601664



E12.1 CARBURETORASSY

NO.	CODE	DESCRIPTION	QTY.	NOTES	OLD CODE
1	32510B01F000	NEEDLE JET	1		224208.040000
2	32511B01F000	VALVE,PISTON diameter 15.5mm,high 28mm	1	for 30km/h,45km/h, and full speed vehicle; (EPA use this type)	224600.018000
3	224202.100000	MAIN JET 70#	1	for EPA (North America) market	
4	32612B01F000	ENRICH VALVE QJ without waterproof	1	QJ	
4	3361005E0010	ENRICH VALVE MIKUNI without waterproof	1	MIKUNI	
5	32619B01F000	Float Pin	1		
6	32620B01F000	FLOAT	1		
7	32701B01F000	GASKET	1		224416.014000
8	224100.042000	CARBURETOR ASSY(QJ, MJ70,NJ22.5,without heater socket kept,full speed)	1	QJ,full speed,EPA ,without heater MJ70,NJ22.5	
10	32801B09F000	L WASHER	1		
11	224203.100000	IDLE JET (22.5#)	1		224203.104000
12	32508B01F000	V-shaped Clip	1		224214.008000
13A	224128.003000	OIL PIPE ASSY QJ	1		3315102E0000
13B	330031070000	OIL PIPE ASSY (MIKUNI)	1		
13C	33151E050000	OIL PIPE ASSY QJ (without screw thread)	1		
13D	3315102E0001	OIL PIPE ASSY QJ (steel ball structure, with screw thread)	1		
13E	3315102E0010	OIL PIPE ASSY QJ (pin valve structure, with screw thread)	1		3315102E0001
14	3314505E0000	SCREW, AIR	1	for EPA market	
15	32617B01F000	VALVE NEEDLE	1		

