

S.P. CATALOG FOR KEEWAY MATRIX 125/150, 2007-2008 VER.

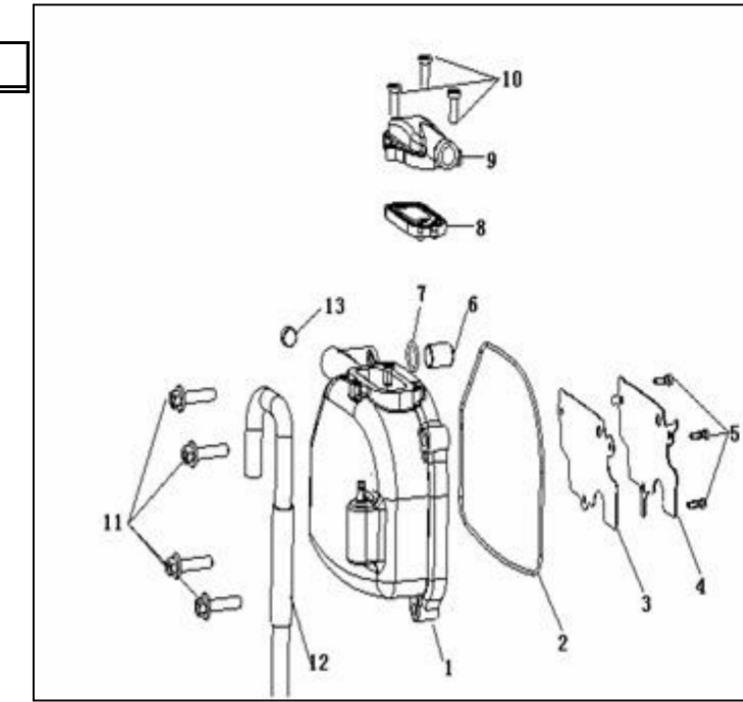
ENGINE MODEL: KW158QMJ (KW153FM-3)

MARKET APPLICABLE: EEC2 & EEC3; EPA; NON-EEC

NOTES TO STE/SOFTWAY: SAME AS ENGINE CATALOG FOR F-ACT 125/150 EXCEPT SUBASSEMBLY E18.2

E01.2 CYLINDER HEAD COVER(Secondary air intake system) (for EEC3 & EPA market)

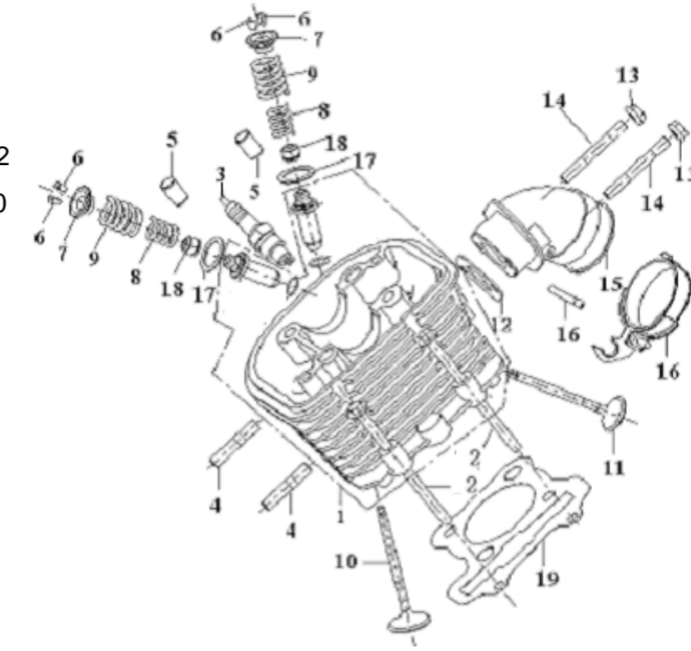
NO.	CODE	DESCRIPTION	QTY	NOTES	Season	OLD CODE
1	201300.04600	COVER ,cylinder head	1	for EEC3 & EPA market		
2	201329.02100	SEALING GASKET	1	for EEC3 & EPA market		
3	201332.01200	GASKET	1	for EEC3 & EPA market		
4	201217.00300	HOLDER	1	for EEC3 & EPA market		
5	302210301062	SCREW M3X10	3	for EEC3 & EPA market		
6	26123G02F00	PIN DOWEL	1	for EEC3 & EPA market		
7	315112020062	O RING	1	for EEC3 & EPA market		
8	229108.00100	REED VALVE ASSY	1	for EEC3 & EPA market		
9	201302.00600	HOSE,BREATHER	1	for EEC3 & EPA market		
10	302270501462	SCREW M5X14	3	for EEC3 & EPA market		
11	301310602562	BOLT M6X25	4	for EEC3 & EPA market		
12	201110.00400	HOSE,breather	1	for EEC3 & EPA market		
13	201223.01000	STOPPER	1	for EEC3 & EPA market		



E02 CYLINDER HEAD ASSY.

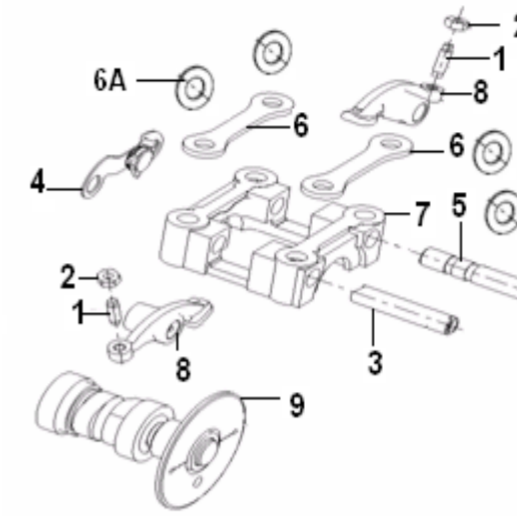
NO.	CODE	DESCRIPTION	QTY	NOTES	Season	OLD CODE
1	201200.111000	CYLINDER HEAD(EEC3 & EPA,150cc)	1	for Matrix 150 in EEC3 & EPA market		
2	30504H03F00	BOLT	2			
3	201204.009000	SPARK PLUG	1	used for NON-EEC,EPA market		
4	201216.002472	STUD BOLT	2			
5	27105H03F00	PIN DOWEL	2			
6	30108J05F000	COTTER, valve	4			
7	30106J05F930	UPPER SEAT, valve spring	2			
8	30102J05F930	SPRING, inner	2			
9	30101J05F930	SPRING, outer	2			
10	30201J05F000	EXHAUST VALVE	1			
11	30103J05F000	INLET VALVE	1			
12	30112J05F000	GASKET, insulator	1			
13	304290600065	NUT	2			
14	201216.006472	STUD BOLT	2			
15	202100.001000	INSULATOR, carburetor	1	for EEC2 & NON-EEC market		
15	202100.02000	INSULATOR, carburetor(secondary air intake system)	1	for EPA & EEC3 market		
16	202104.002472	CLAMP	1			
17	30105J05F000	SEAT, spring (150cc)	1	used for 150cc		
18	30205H03F00	OIL SEAL	2			
19	30506K03F000	GASKET, cylinder head (150cc)	1	used for 150cc		

201216.005472
14107J05F000



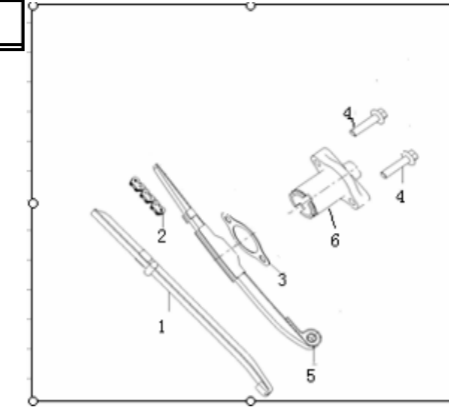
E03 AIR MIX DEVICE

NO.	CODE	DESCRIPTION	QTY	NOTES	Season	OLD CODE
1	30303H03F00	SCREW,tappet adjusting	2			
2	30302H03F93	NUT,tappet adjusting	2			
3	203306.013063	SHAFT,EXHAUST ROCKER ARM	1			
4	30600H03F00	PLATE, stopper	1			
5	203102.002063	ARM,inlet rocker arm	1			
6	30310J05F000	GASKET,holder	2	suggest ordering B07030000803		
6A	B07030000803	WASHER 8	4			30310J05F000
7	203406.00300	HOLDER,cam shaft (new type)	1	used for Matrix 125/150 produced from 26 June 2006;matching 33mm of camshaft bearing diameter.		30304J05F000
8	30301J05F000	ARM,rocker	2			
9	203103.00400	CAMSHAFT ASSY (new type)	1	used for Matrix 125/150 produced from 26 June 2006;matching 33mm of camshaft bearing diameter.		30420J05F000



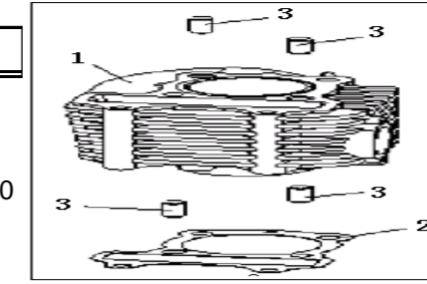
E04 CAM CHAIN & TENSIONER ASSY.

NO.	CODE	DESCRIPTION	QTY	NOTES	Season	OLD CODE
1	27421J05F000	GUIDE CAM CHAIN(→)	1			
2	27327J05F000	CAM CHAIN	1			
3	205300.002000	GASKET,tensioner	1			
4	B01070602563	SCREW	2			
5	27200J05F000	GUIDE ASSY.	1			
6	140043140000	TENSIONOR COMP	1			



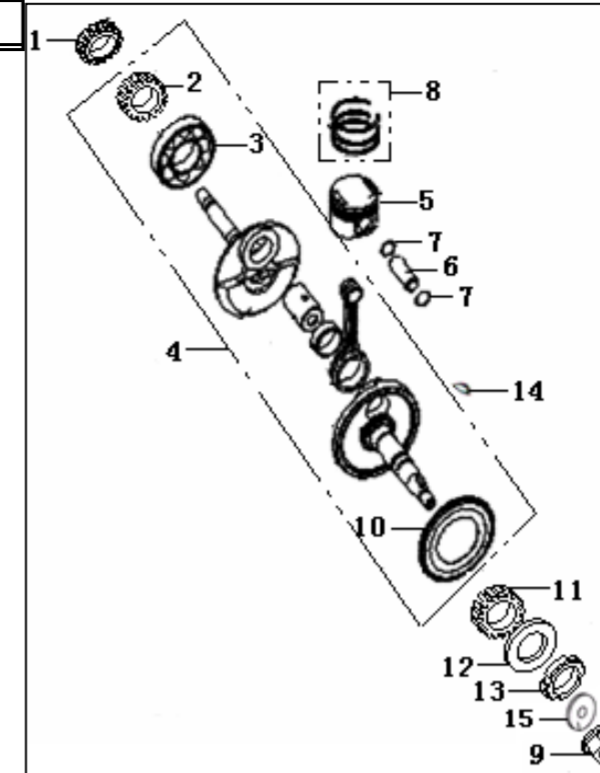
E05.2 CYLINDER ASSY(for 150cc)

NO.	CODE	DESCRIPTION	QTY	NOTES	Season	OLD CODE
1	27100K03F000	CYLINDER COMP (150CC)	1			
2	204204.026000	GASKET,cylinder (150CC)	1			
3	27105H03F000	PIN DOWEL	4			14107J05F000



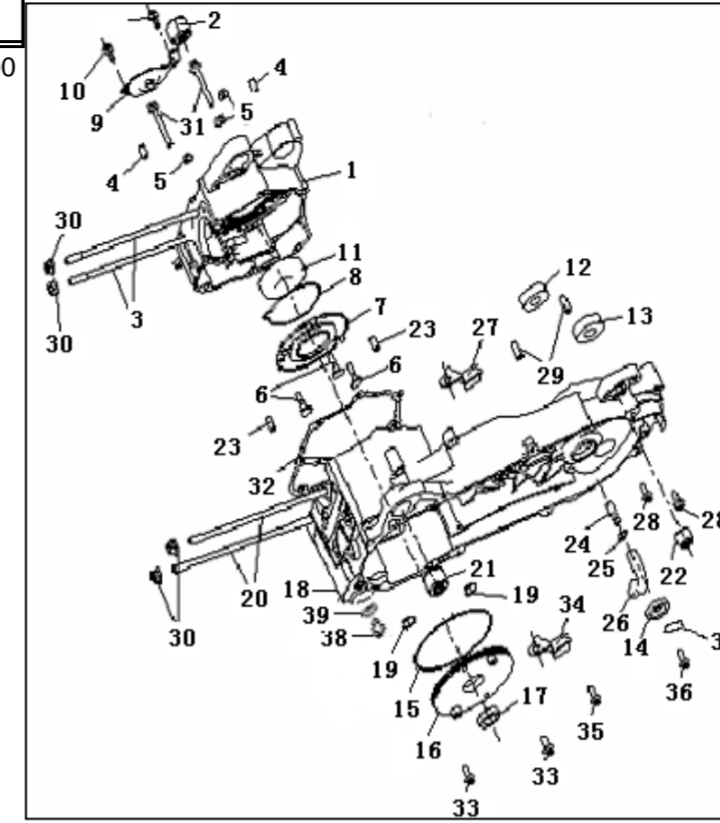
E06 CRANKSHAFT & CONNECTING ROD & PISTON ASSY

NO.	CODE	DESCRIPTION	QTY	NOTES	Season	OLD CODE
1	15231J05F000	GEAR,starter driven	1			
2	15232J05F000	SPROCKET,cam chain	1			
3	15210J05F000	ROLLING BEARING	1			
4	15200J05F000	CRANKSHAFT & CONROD ASSY	1			
5	208300.046062	PISTON	1	used for 150cc vehicle		
6	15105K03F000	PIN,piston	1	used for 150cc vehicle		
7	208308.004161	CLIP	2			
8	15120K03F000	OIL RING ASSY	1 set	used for 150cc vehicle,order as per set		
9	15206J05F000	NUT,lock	1			
10	15227J05F000	PLATE,oil reverse	1			
11	15208J05F000	SPROCKET,	1			
12	15209J05F000	WASHER	1			
13	208224.001161	NUT	1			
14	15101J01F000	KEY	1			
15	B07030001200	WASHER	1			



E07 CRANKCASE ASSY

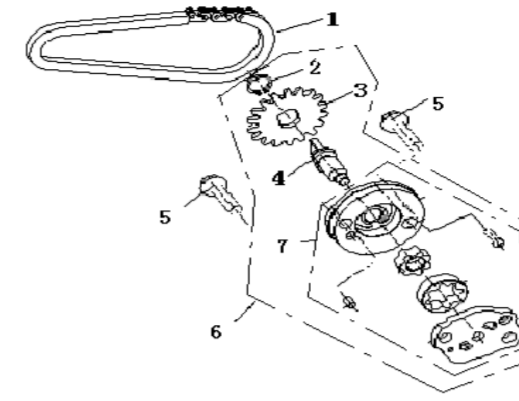
NO.	CODE	DESCRIPTION	QTY	NOTES	Season	OLD CODE
1	26210J05F000	CRANKCASE ASSY RH	1			26210K03F000
2	26501H03F00	BUSH	2			
3	26206J05F910	BOLT M8X200	2			
4	14206J01F000	PIN DOWEL	2			
5	B04170000653	NUT M6	3			
6	26313J05F930	SCREW	3			
7	26314J05F910	PLATE,stainer	1			
8	26209J05F000	O RING	1			
9	26311J05F000	CAP,oil pump	1			
10	B01090601583	BOLT M6X12	2			
11	26217J05F000	ROLLER BEARING	1			
12	B12016620350	ROLLER BEARING 6203/P6	1			
13	B12016620250	ROLLER BEARING 6202/P6	1			
14	26106H03F00	OIL SEAL	1			
15	26102G03F00	O RING	1			
16	26101J05F000	COVER LH,small	1			
17	26130J05F000	OIL SEAL	1			
18	26110J05F000	CRANKCASE ASSY	1			26110K03F000
19	B190100570A0	O RING 5.7X1.8	2			26116G03F000
20	26107J05F910	BOLT M8	2			
21	26501H03F00	BUSH	1			
22	26502G02F00	BUSH,ENGINE MOUNTING	1			
23	26128J05F000	PIN DOWEL 8X20	2			
24	26105J05F000	PIPE,breather	1			
25	201227.002371	CLIP	1			
26	26402J05F000	HOSE,breather	1	for 150cc		
27	207224.003472	CLIP	1			
28	B01090801583	BOLT M8X15	2			
29	26123G02F00	PIN DOWEL 12X16	2			
30	B04070000853	NUT M8	4			
31	B01090605083	BOLT M6X50	2			
32	206210.001000	GASKET,crankcase	1			
33	301310601865	BOLT M6X18	2			
34	216216.001271	PLATE,stopper	1			
35	B01070601463	BOLT M6X14	1			
36	B01890801563	SCREW M8X15	2			
37	18105H03F00	WASHER	2			
38	206211.002472	BOLT,DRAIN PLUG	1			
39	20761K08F000	GASKET,ANTI_OIL	1			



26110K03F000
26116G03F000

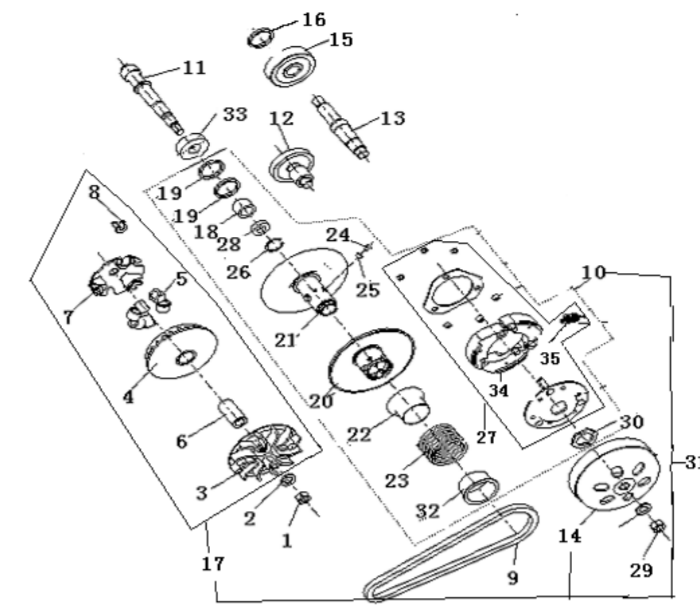
E08 OIL PUMP ASSY

NO.	CODE	DESCRIPTION	QTY	NOTES	Season	OLD CODE
1	19114J05F000	CHAIN OIL PUMP	1			
2	B08010001000	WASHER	1			
3	19110J05F000	SPROCKET,oil pump driven	1			
4	19107J05F000	SHAFT,oil pump	1			
5	301310602565	BOLT M6X25	2			
6	19000J05F000	OLL PUMP ASSY	1			
7	219100.029000	OLL PUMP BODY ASSY	1			



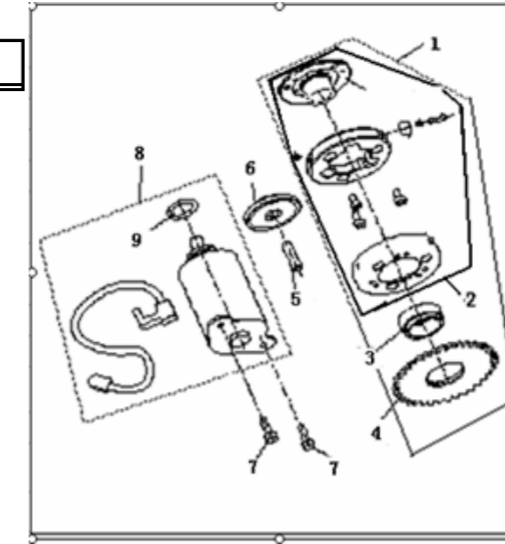
E09 CLUTCH ASSY

NO.	CODE	DESCRIPTION	QTY	NOTES	Season	OLD CODE
1	15206H03F00	NUT	1			
2	15209H03F000	WASHER	2			B07010001200
3	24111J05F000	FACE, fixed drive	1			
4	24101J05F000	FACE COMP, fixed drive	1			
5	24120J05F000	ROLLER(11.5g)	1 set	6 pieces/set		
6	24140J05F000	COLLAR	1			
7	24151J05F930	PLATE, movable drive	1			
8	24130J05F000	DAMPER	3			
9	24160J05F000	V BELT, drive	1			
10	24210J05F000	DRIVEN PLATE ASSY	1			
11	214300.003000	SHAFT ,drive (16 teeth)	1	old type before June, 2008. used with shaft idle (40 teeth)		
11	229043060000	SHAFT ,drive (15 teeth)	1	new type after June, 2008. used with shaft idle (42 teeth)		
12	214103.009000	SHAFT ,idle (40 teeth)	1	old type before June, 2008. used with shaft drive (16 teeth)		
12	229063060000	SHAFT ,idle (42 teeth)	1	new type after June, 2008. used with shaft drive (15 teeth)		
13	17201J05F000	SHAFT, rear axle	1			
14	24230H03F00	HOUSING, clutch	1			
15	17217J05F000	GEAR	1			
16	B08010002000	CIRCLIP 20	1			
17	24100J05F000	DRIVE ASSY(11.5g)	1			
18	24203J05F000	BEARING	1			
19	24216H03F00	OIL SEAL	2			
20	24211H03F00	FACE, movable driven	1			
21	24212J05F000	FACE COMP, fixed driven	1			
22	24213H03F93	SEAT, spring	1			
23	24240H03F00	SPRING	1			
24	24246H03F00	AXLE	3			
25	24217H03F00	BEARING	3			
26	B08000002600	CIRCLIP 26	1			
27	24220H03F000	PLATE ASSY, driven	1			
28	24245H03F000	BEARING NSE NACHI JAPAN	1			
29	18330H03F930	NUT	1			
30	24242H03F000	NUT	1			
31	24001J05F000	SHIFT ASSY(11.5g)	1			
32	24244H03F00	SEAT, spring	1			
33	B12016620450	BEARING	1			
34	24231H03F00	SHOE, CLUTCH	3			
35	24224H03F00	SPRING, CLUTCH	3			



E10 ELECTRIC STARTER ASSY

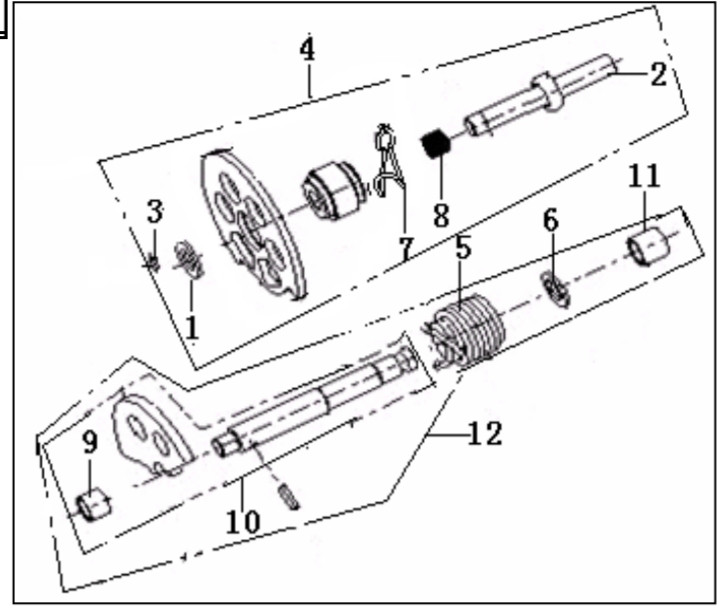
NO.	CODE	DESCRIPTION	QTY	NOTES	Season	OLD CODE
1	34400J05F000	CLUTCH SET,starter	1			
2	34110J05F000	CLUTCH COMP	1			
3	34124H03F00	BEARING,needle	1			
4	218100.011371	GEAR COMP,starter clutch	1			
5	34146J05F000	SHAFT,shaft starter idle gear	1			
6	34141J05F000	GEAR,starter idle	1			
7	301310601865	BOLT	2			
8	218100.011472	MOTOR ASSY,starting	1			
9	34254J05F000	O RING	1			



E11 KICK STARTER ASSY

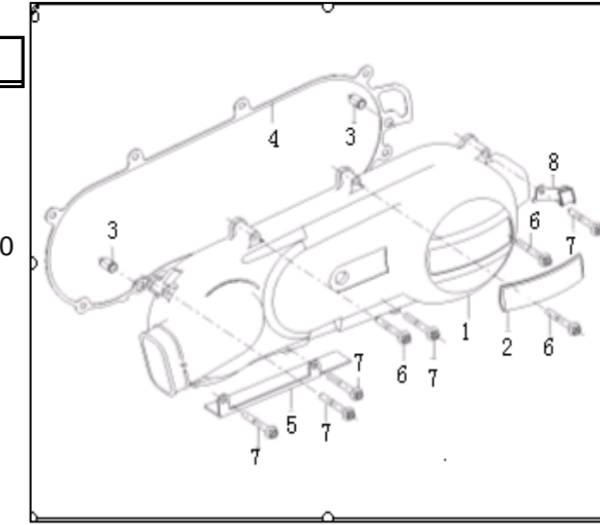
NO.	CODE	DESCRIPTION	QTY	NOTES	Season	OLD CODE
1	17805H03F00	WASHER	1			
2	17811J05F000	GEAR SHAFT	1			
3	B090103008B	PIN	1			
4	17806J05F000	GEAR ASSY, starter	1			
5	17718J05F930	TWEAK SPRING	1			
6	17402H03F00	PLATE	1			
7	17809H03F00	SPRING	1			
8	17412H03F00	SPRING	1			
9	17433H03F00	BEARING COVER, starter I	1			
10	17400J05F000	SHAFT ASSY, starter	1			
11	17434H03F00	BEARING COVER, starter II	1			
12	216100.02300	KICK STARTER ASSY	1	for all markets		

216100.101000



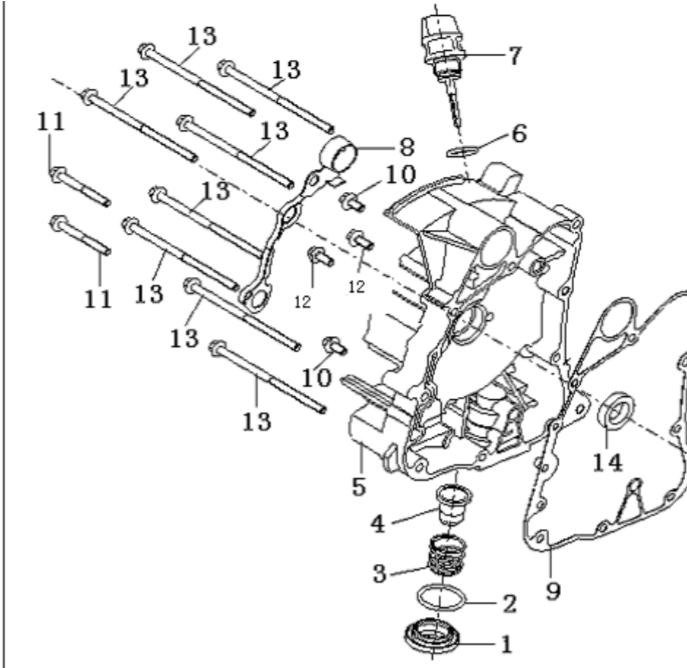
E12 LEFT COVER ASSY

NO.	CODE	DESCRIPTION	QTY	NOTES	Season	OLD CODE
1	207200.018081	COVER,clutch(old type)	1	for 2007 season	2006-2007	
1	169023060040	COVER,clutch(new type)	1	for 2008 season	2008	
2	207236.020472	SIGN CARDS(KEEWAY)	1			
3	27105H03F000	PIN DOWEL	2			14107J05F000
4	207208.007000	GASKET,cankcase LH	1			
5	207225.004472	PLATE,protector	1			
6	301310604565	BOLT	3			
7	301310603565	BOLT	5			
8	222218.003472	CLIP	1			



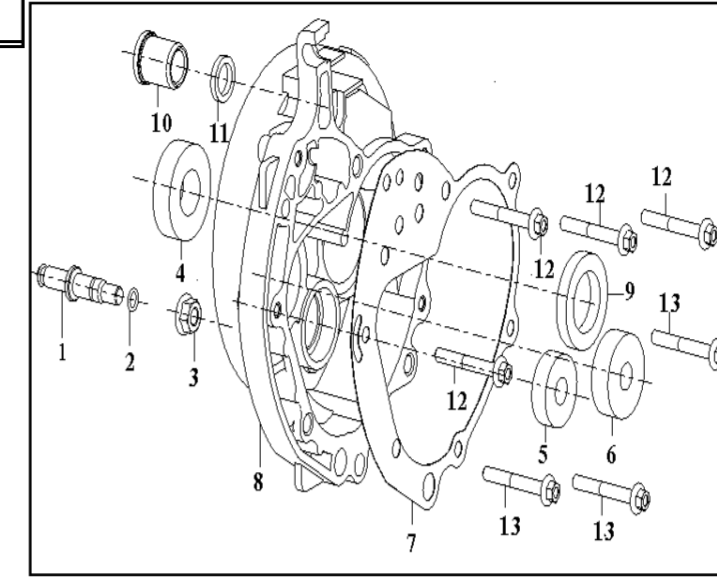
E13 COVERCASE RH ASSY

NO.	CODE	DESCRIPTION	QTY	NOTES	Season	OLD CODE
1	26306H03F00	PLUG,drain	1			
2	26307H03F00	O RING 30.8X3.2	1			
3	26305H03F00	SPRING,stainer	1			
4	26308J01F000	STRAINER,oil	1			
5	14201J05F000	COVER,crankcase RH	1			
6	14215J01F000	O RING	1			
7	207304.008081	GAUGE,oil level	1			
8	14220J05F910	CLIP	1			
9	207303.008000	GASKET,crankcase cover RH	1			
10	B01090601263	BOLT	2			
11	B01080501263	BOLT	2			
12	B01070602063	BOLT	2			
13	30504H03F00	BOLT	8			
14	26130J05F000	OIL SEAL	1			



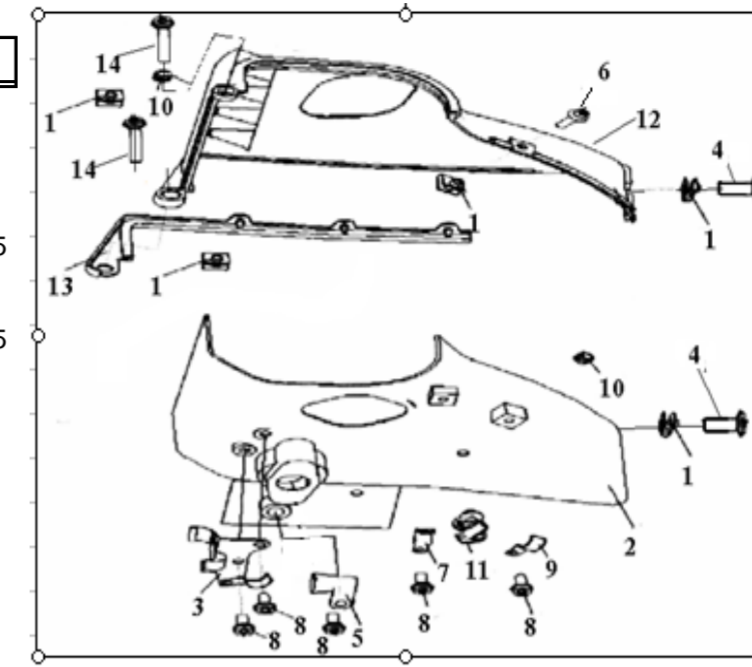
E14 COVER GEAR BOX ASSY

NO.	CODE	DESCRIPTION	QTY	NOTES	Season	OLD CODE
1	18114J05F930	PIN	1			
2	18112H03F00	O RING	1			
3	B04170000853	NUT	1			
4	B12016600450	ROLLER BEARING	1			
5	B12016620150	ROLLER BEARING	1			
6	B12016630150	ROLLER BEARING	1			
7	214201.002000	GASKET,gear box	1			
8	18101J05F000	COVER,gear box	1			
9	18102H03F00	OIL SEAL	1			
10	18103J05F000	BUSH	1			
11	18106J05F000	OIL SEAL	1			
12	301310604565	BOLT	4			
13	B01070605561	BOLT	3			



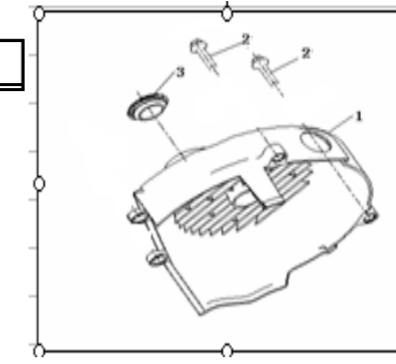
SHROUD ASSY

NO.	CODE	DESCRIPTION	QTY	NOTES	Season	OLD CODE
1	20312J05F910	CLIP	4			
2	222101.00500	SHROUD,upper(for secondary air intake system)	1	for EEC3 and EPA market		
3	20308J05F000	CLIP ASSY.	1			
4	B01090601663	SCREW M6X16	2		301310601665	
5	222218.002472	CLIP	1			
6	B01090601463	SCREW M6X14	1		301310601665	
7	222218.003472	CLIP	1			
8	B01090602563	SCREW	5			
9	222218.004472	CLIP	1			
10	222223.00200	DOWEL(for secondary air intake system)	2	for EEC3 and EPA market		
11	20313J05F000	NENON CLIP	1			
12	222102.005000	SHROUD,lower (for secondary air intake system)	1	for EEC3 and EPA market		
13	20306J05F000	SEAL,lower shroud	1			
14	B01090602063	SCREW	2		301310601665	



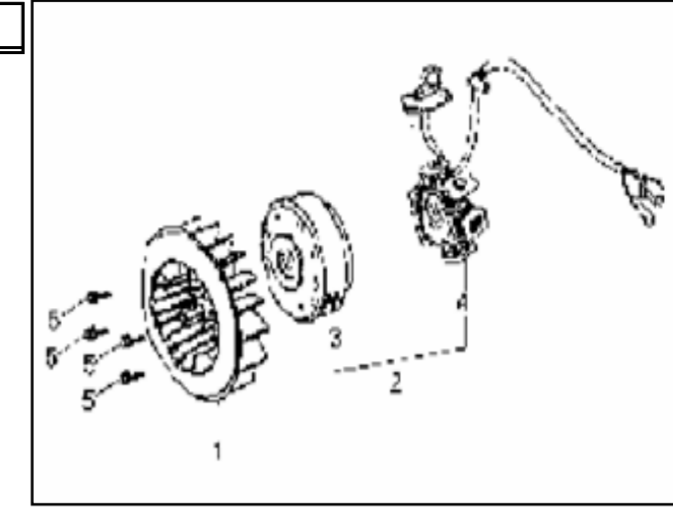
E16 COVER FAN ASSY

NO.	CODE	DESCRIPTION	QTY	NOTES	Season	OLD CODE
1	20201J05FT10	COVER,fan	1			
2	B01890602563	SCREW	2			
3	20204J05F000	CAP,OBSERVE	2			



E17 MAGNETO ASSY

NO.	CODE	DESCRIPTION	QTY	NOTES	Season	OLD CODE
1	20401J05F000	FAN ASSY	1			
2	223100.004000	MAGNETO ASSY(battery ignition,12 poles)	1	12poles used before 2007-10-25		
3	34301J05F000	FLY WHEEL ASSY(battery ignition,12 poles)	1	12poles used before 2007-10-25		
4	34310J05F000	COIL ASSY(battery ignition,12 poles)	1	12poles used before 2007-10-25		
2	223100010000	MAGNETO ASSY (battery ignition, 18poles)	1	New type aunched on 2007-10-25Put to use with new Regulator		
3	223101.03600	FLY WHEEL ASSY (battery ignition, 18poles)	1	New type aunched on 2007-10-25Put to use with new Regulator		
4	223102.04100	COIL ASSY (battery ignition, 18poles)	1	New type aunched on 2007-10-25Put to use with new Regulator		
5	B01080601863	BOLT M6X18	4			



CARBURETOR ASSY-FOR MATRIX 150CC

NO.	CODE	DESCRIPTION	QTY	NOTES	Season	OLD CODE
1	32506H03F000	VALVE,PISTON	1			32506J05F000
2	224208.02900	NEEDLE JET (EPA)	1	for EPA&Q16-30 Columbia market		
3	32612H03F00	ENRICH VALVE	1			332612J05F000
4	224202.06300	MAIN JET (167#)	1	for EPA(North America) market		
4	224202.06000	MAIN JET (206#)	1	for EPA(North America) market, YAJF087, 10.3		
5	32621H03F00	FLOAT PIN	1			
6	32624H03F00	FLOAT	1			32622H03F000
7	32701H03F00	GASKET,float chamber	1			
8	224100.08700	CARBURETOR ASSY(with 167# main jet)	1	for EPA(North America) market		
8	224100.08600	CARBURETOR ASSY(with 206# main jet)	1	only used for EPA market 2009version,150cc,YAJF087, 10.3		
9	224203.038000	IDLE JET	1	for ALL except 150cc in EE3 market		32618H03F000

