

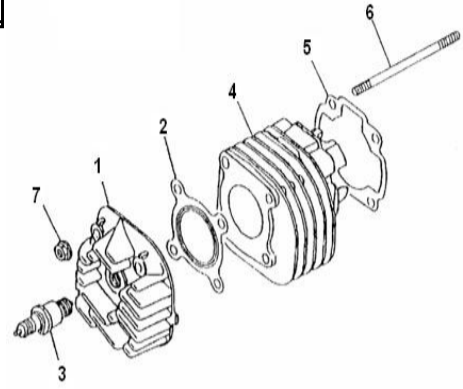
S.P. CATALOG FOR KEEWAY HURRICANE 50,2ST, 2007-2008 VER.

ENGINE MODEL: KW1E40QMB

MARKET APPLICABLE: EEC2; NON-EEC; EPA

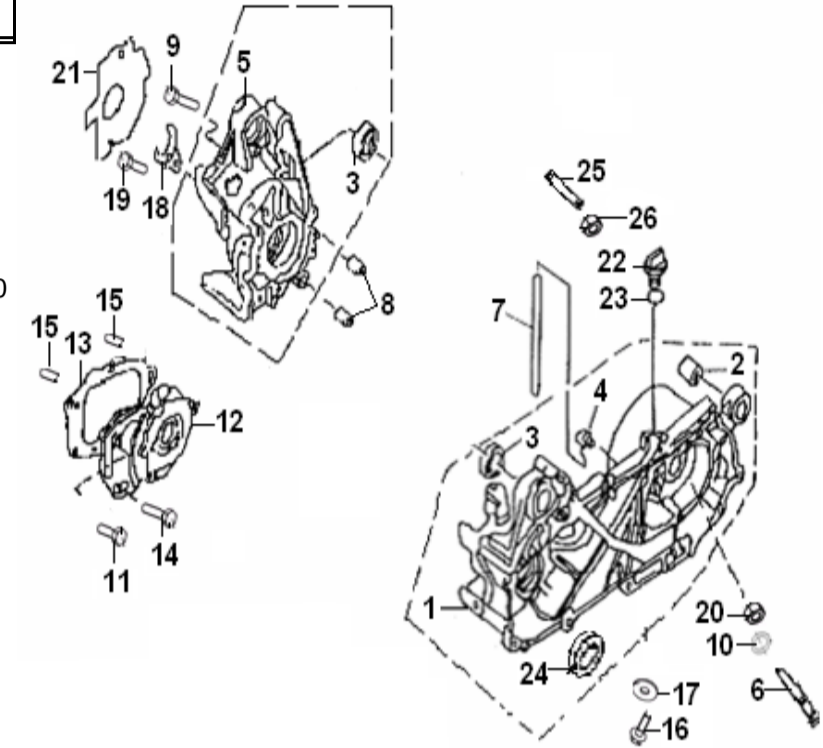
E01 CYLINDER HEAD ASSY

NO.	CODE	DESCRIPTION	QTY	NOTES	SEASON	OLD CODE
1	30701B01F00A	HEAD,CYLINDER	1			
2	30507B01F000	GASKET,CYLINDER HEAD	1			
3	201204.013000	SPARK PLUG (type:BR8HSA)	1			
4	27101B01F00A	CYLINDER	1			
5	204204.001000	GASKET,CYLINDER	1			
6	26107B01F910	STUD BOLT	4			
7	304290700062	NUT	4			



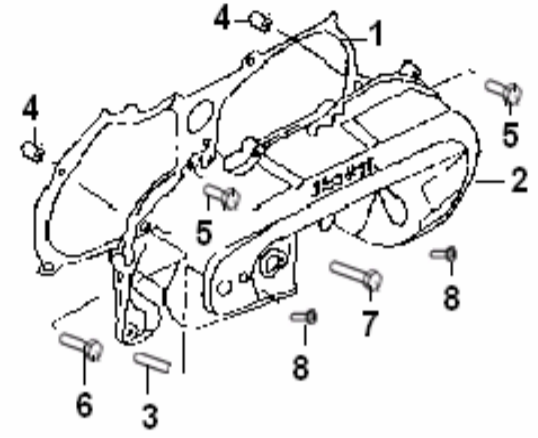
E02 CRANKCASE ASSY

NO.	CODE	DESCRIPTION	QTY	NOTES	SEASON	OLD CODE
1	26100B01F00B	CRANKCASE,LH	1			
2	26108G02F000	BUSH,ENGINE MOUNTING	1	Φ20mm		
3	207230.002000	BUSH,ENGINE MOUNTING	2	Φ35mm		
4	26126G02F000	BREATHER PLUG	1			
5	26200B01F000	CRANKCASE,RH 1	1			
5	206300.076000	CRANKCASE,RH 1 (with vacuum breather)	1	with vacuum breather, for 25km/h	26200B01F000	
6	26142G02F000	BRAKE SHOE ANCHOR PIN ASSY	1			
7	26105G02F000	HOSE	1			
8	26123G02F000	DOWEL PIN	2			
9	B02270603564	SCREW	6			
10	14222J01F000	O RING6.8X1.9	1			
11	B01070603064	BOLT	2			
12	18101G02F001	COVER, GEAR BOX	1			
13	214201.001000	GASKET,GEAR BOX	1			
14	B01070602264	BOLT	3			
15	26208J01F000	DOWEL PIN	2			
16	301310801605	FLANGE BOLT	1		301310801603	
17	18105H03F000	WASHER	1			
18	26214G02F000	HOLDER	1			
19	301310601262	BOLT M6X12	1			
20	304290800062	NUT	1			
21	206321.001000	GASKET	1			
22	206407.004083	OIL PLUG	1			
23	26102G02F000	O-RING	1			
24	26112G02F000	SHAFT COLLAR	1			
25	231215.001000	shaft	1			
26	B04171012563	NUT	1			



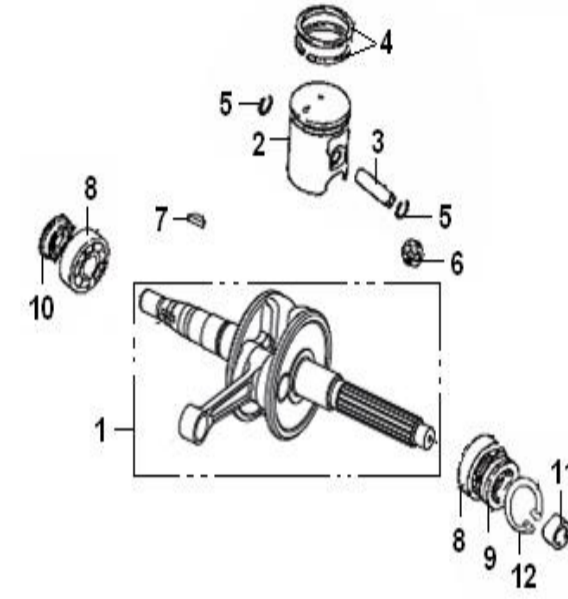
E03 SIDE COVER ASSY.

NO.	CODE	DESCRIPTION	QTY	NOTES	SEASON	OLD CODE
1	207208.009000	GASKET,SIDE COVER	1			
2	207200.048082	SIDE COVER(SILVER)	1	For 2007 season	2007	
2	169022080030	SIDE COVER(GRAY)	1	For 2008 season	2008	
3	26128G02F000	SHAFT	1			
4	26208J01F000	DOWEL PIN	2			
5	301310602565	SCREW M6X25	8			
6	301310603565	SCREW	2			
7	301310606565	PAN HEAD SCREW	1			
8	302460601265	STOPPER	1			



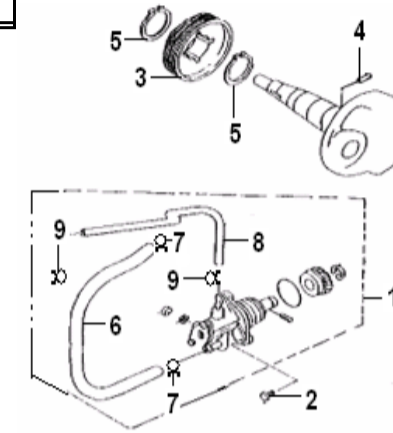
E04 PISTON CRANKSHAFT CONNECTING ROD ASSY

NO.	CODE	DESCRIPTION	QTY	NOTES	SEASON	OLD CODE
1	208100.022000	CRANKSHAFT,ASSY	1			
2	15100B01F00B	PISTON ASSY	1			
3	15105B16F000	PISTON PIN	1			
4	15103B01F000	PISTON RING	1set	1set is 2 pieces		
5	15111G02F000	CIRCLIP	2			
6	15110B16F000	NEEDLE BEARING	1			
7	15101B01F000	WOODRUFF KEY	1			
8	B12016620453	BEARING	2			
9	15213G02F000	OIL SEAL	1			
10	26215G02F000	OIL SEAL ASSY	1			
11	15214G02F000	COLLAR	1			
12	17308G02F000	CIRCLIP	1			



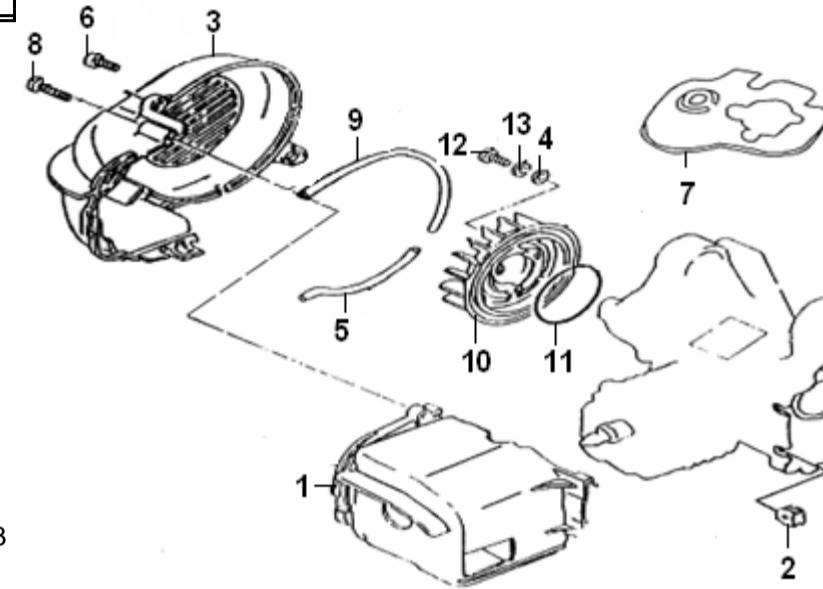
E05 OIL PUMP ASSY

NO.	CODE	DESCRIPTION	QTY	NOTES	SEASON	OLD CODE
1	269011070020	OIL PUMP ASSY (with mark 50)	1			219101.006000
2	B02000501463	SCREW	2			
3	15211G02F000	PUMP DRIVE GEAR	1			
4	B090103014C0	PIN	1			
5	15106G02F910	CIRCLIP	2			
6	221405.103000	HOSE,OIL INLET	1			
7	19213G02F00A	HOSE CLIP	2			
8	221405.104000	HOSE,OIL OUTLET	1			
9	19217G02F00A	HOSE CLIP	2			



E06 AIR COOLING SYSTEM

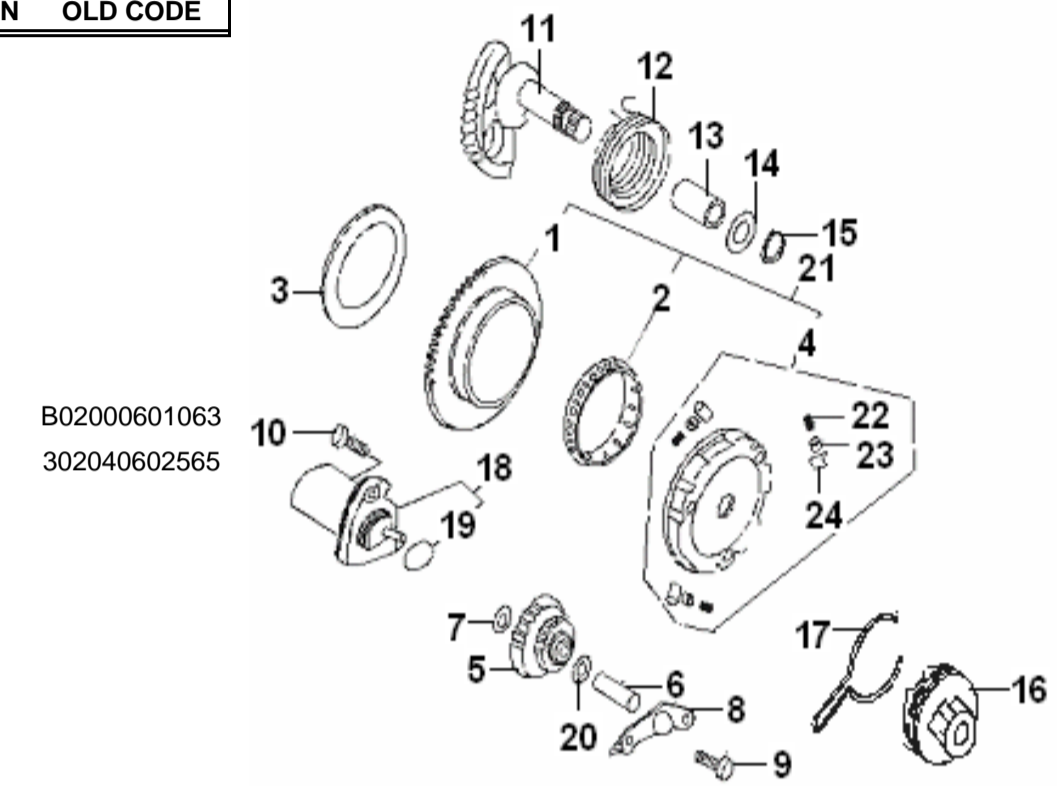
NO.	CODE	DESCRIPTION	QTY	NOTES	SEASON	OLD CODE
1	20301B01F000	COWLING,cylinder	1			
2	20303G02F000	GROMMET	2			
3	20200B01F000	COOLING ASSY,fan	1			
4	B07030000600	WASHER	3			
5	20208G02F000	MOLD,cowling,110	1			
6	302270602065	BOLT	2			
7	20102G02F000	PLATE	1			
8	3050355040F5	SCREW	1			
9	20206G02F000	MOLD,cowling,220	1			
10	20401B01F000	FAN ASSY	1			
11	20402G02F000	RUBBER RING	1			
12	301310601665	SCREW M6X16	3			
13	B07000000600	SPRING WASHER φ6	3			



B02000601663

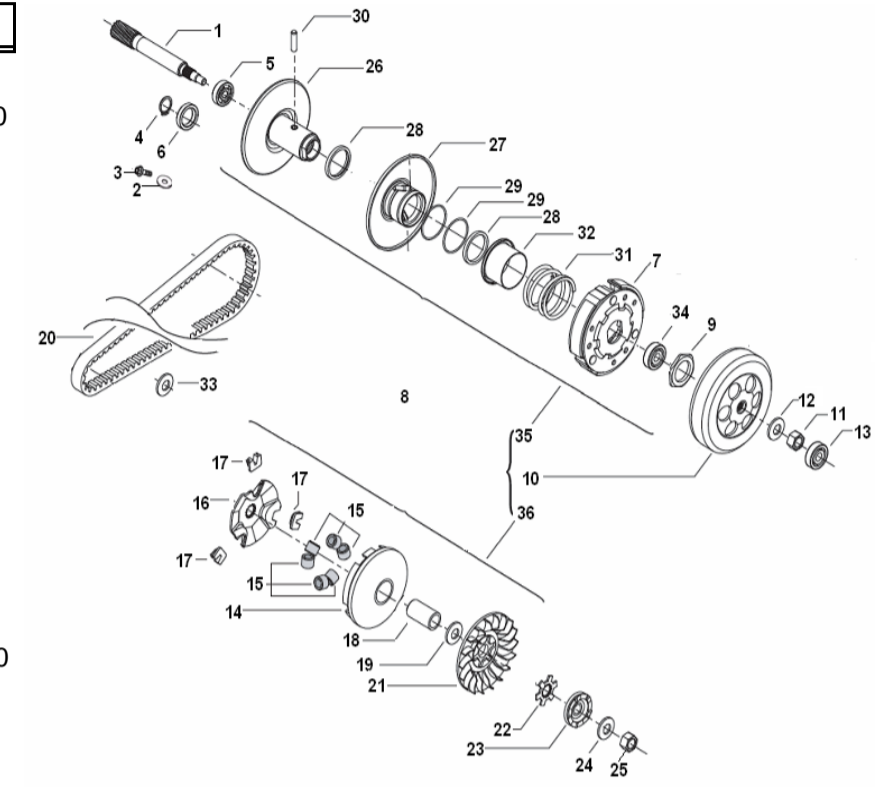
E07 KICK STARTER ASSY

NO.	CODE	DESCRIPTION	QTY	NOTES	SEASON	OLD CODE
1	34120G02F000	START GEAR ASSY	1			
2	34121G02F000	NEEDLE BEARING	1			
3	34123G02F000	THRUST WASHER	1			
4	34110G02F00A	START HOLDER ASSY	1			
5	34126G02F000	DRIVEN GEAR,STARTER	1			
6	26128G02F000	IDLE GEAR SHAFT	1			
7	34122G02F000	PLATE WASHER	1			
8	34125G02F000	IDLE GEAR HOLDER	1			
9	301310601062	SCREW	2			
10	302040602065	SCREW	2			
11	216100.004000	SHAFT, kick starter	1			
12	17407G02F000	SPRING	1			
13	216217.001000	BUSH	1			
14	307991005552	WASHER ,kick starter	1			
15	308090150003	CIRCLIP	1			
16	17415G02F000	KICK PINION ASSY	1			
17	17418G02F930	CLIP	1			
18	218100.017472	STARTING MOTOR ASSY	1			
19	B190102120B0	O-RING	1			
20	34130G02F000	PLATE WASHER	1			
21	217100.100000	START CLUTCH ASSY	1			
22	34404G02F00A	SPRING	3			
23	34405G02F00A	CAP	3			
24	34402G02F00A	ROLLER	3			



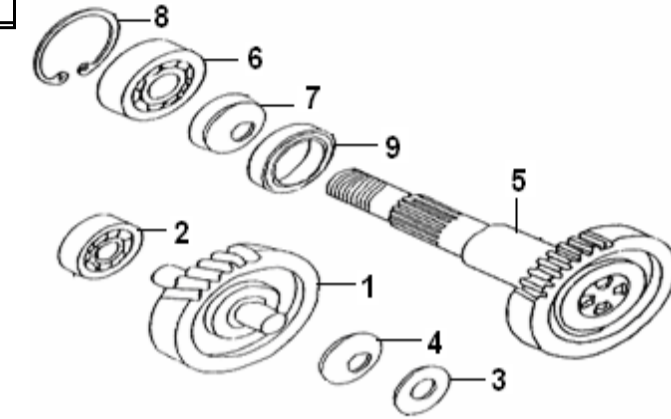
E08 CLUTCH ASSY.

NO.	CODE	DESCRIPTION	QTY	NOTES	SEASON	OLD CODE
1	24201B01F000	PRIMARY DRIVE SHAFT old	1	old primary drive shaft with one piece ϕ 6.7X3 RING (E08-12)		
1	220011160000	PRIMARY DRIVE SHAFT new	1	new primary drive shaft with 2 pieces ϕ 5.5X1.5 RING (E08-12, 2009)		24201B01F000
2	18114G02F000	PLATE WASHER	1			
3	B01090801263	PAN HEAD SCREW M8X12	1			
4	B08010001700	CIRCLIP 17	1			
5	B12016600300	ROLING BEARING 6003	1			
6	24203G02F000	OIL SEAL 17X28X5.	1			
7	24301B01F000	CLUTCH ASSY,shoe	3			
8	213100.009000	SHIFT ASSY(with 4g rollers)	1			
9	24303G02F000	NUT M28X1	1			
10	24700G02F000	HOUSING	1			
11	24305G02F940	NUT M10X1	1			
12	24243G02F000	RING ϕ 6.7X3	1	for old primary drive shaft		
12	200492080000	RING ϕ 5.5X1.5	2	for new primary drive shaft	2009	24243G02F000
13	24209G02F000	BEARING	1			
14	24101G02F000	FACE, movable drive	1			
15	213119.004000	ROLLER (4g)	1 set 1 set is 6 pieces			
16	24103G02F000	PLATE, movable drive	1			
17	24104G02F000	DAMPER	3			
18	24105G02F000	COLLER	1			
19	24106B01F000	WASHER	1			
20	229011160020	V BELT, DRIVE	1	brand :MITSUBOSHI		
20	24107B01F000	V BELT, DRIVE	1	brand :BANDO		
21	24108G02F000	FACE, FIXED DRIVE	1			
22	24109G02F000	PLATE, WOODRUFF KEY	1			
23	213203.001161	STARTING DISC	1			
24	15112G02F010	WASHER, SPRING	1			
25	B04031212553	NUT M12X1.25	1			
26	24204G02F000	FACE, FIXED DRIVEN	1			
27	24205G02F000	FACE, MOVABLE DRIVEN	1			
28	24206G02F000	OIL SEAL 33X39X4	2			
29	24207G02F000	O-RING 1.7X38.7	2			
30	24208G02F000	PIN, GUIDE	2			
31	24308B01F000	SPRING	1			
32	24309G02F930	SEAT, SPRING	1			
34	24245G02F000	ROLLER BEARING	1			
35	24200B01F000	DRIVEN PULLY and CLUTCH ASSY (with 5g rollers)	1			24200G02F000
36	213100.038000	DRIVE PULLEY COMP. (with 4g rollers)	1			



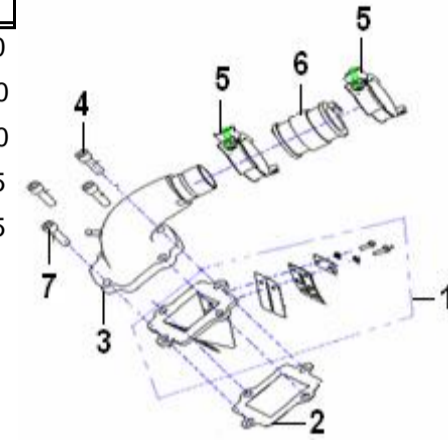
E09 TRANSMISSION SYSTEM ASSY

NO.	CODE	DESCRIPTION	QTY	NOTES	SEASON	OLD CODE
1	17800B01F000	SHAFT,IDLE	1			
2	B12016620100	BEARING 6201	1			
3	17509G02F000	PLATE WASHER12	1			
4	17802G02F000	WASHER,CONICAL	1			
5	17300B01F000	SHAFT,REAR BOX	1			
6	B12016600400	BEARING	1			
7	17317G02F000	OIL SEAL	1			
8	17308G02F000	CIRCLIP	1			
9	26136G02F000	NEEDLE BEARING	1			



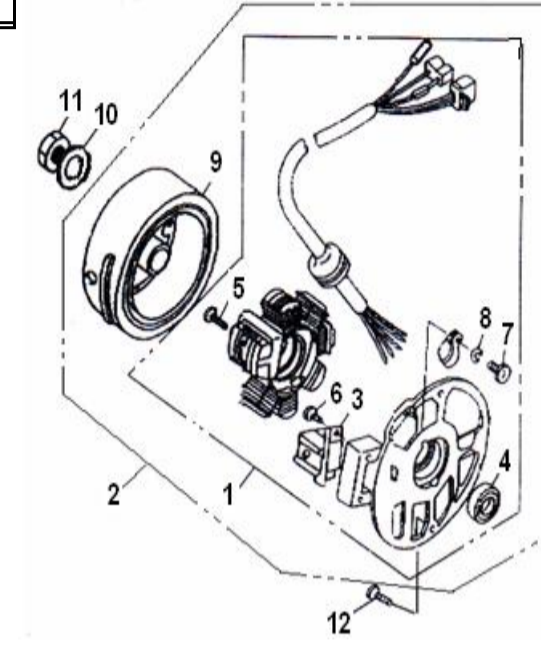
E10 REED VALVE ASSY

NO.	CODE	DESCRIPTION	QTY	NOTES	SEASON	OLD CODE
1	32300A02F000	REED VALVE ASSY	1			110019990010
2	202306.002000	VALVE SEAT GASKET	1			202306.003000
3	32200B01F000	PIPE,INTAKE	1			202200.047000
4	302040602065	SCREW M6X20	4			302040602565
4.1	302040602065	SCREW M6X20	3	concomitant with NO.7		302040602565
5	32202G01F000	CLAMP HOSE ASSY	2			
6	32237G01F000	RUBBER PIPE	1			
7	206412.001472	LOST- HEAD SCREW	1	concomitant with NO.4.1		



E11 MAGNETO ASSY

NO.	CODE	DESCRIPTION	QTY	NOTES	SEASON	OLD CODE
1	34310G02F000	COIL ASSY (15°)	1			
2	223100.100000	MAGNETO ASSY (15°)	1			
3	34330G02F000	PULSE TRIGGER	1			
4	34350G02F000	OIL SEAT	1			
5	B02000502522	SCREW M5X25	2			
6	B02000501262	SCREW M5X12	2			
7	B02000400622	SCREW M4X6	1			
8	B07000000400	SPRING WASHER	1			
9	223101.019000	FLY WHEEL ASSY (15°)	1			
10	B07030001200	WASHER	1			
11	15228H03F000	NUT	1			
12	B01070601664	SCREW M6X16	2			



E12.1 CARBURETOR ASSY

NO.	CODE	DESCRIPTION	QTY	NOTES	SEASON	OLD CODE
1	32510B01F000	NEEDLE JET	1			
2	32511B01F000	VALVE,PISTON diameter 15.5mm,high 28mm	1			224600.018000
3	224202.100000	MAIN JET,70# (full speed)	1			
3	224202.100000	MAIN JET,70# (full speed)	1			
4	32612B01F000	ENRICH VALVE	1			3360102A0000
5	32619B01F000	FLOAT PIN	1			224222.018000
6	32620B01F000	FLOAT	1			224215.016000
7	32701B01F000	GASKET	1			224416.014000
8	224100.039000	CARBURETOR ASSY(QJ,MJ70,NJ22.5,without heater socket kept,full	1		2006-2008	
9	224203.100000	Idle Jet (22.5#, 45km/h)	1	22.5#, for 45km/h vehicles		
10	32508B01F000	V-shaped CLIP	1			224214.008000
12	32617B01F000	VALVE NEEDLE	1			
13	3328305E0000	SCREW, AIR	1			
13	3314505E0000	SCREW, AIR	1			
14	32801B09F000	L WASHER	1			
15	3322605E0000	SCREW, idle speed QJ	1	for QJ CARBURETOR		
16A	224128.003000	OIL PIPE ASSY QJ	1			3315102E0000
16B	330031070000	OIL PIPE ASSY (MIKUNI)	1			
16C	33151E050000	OIL PIPE ASSY QJ (without screw thread)	1			
16D	3315102E0001	OIL PIPE ASSY QJ (steel ball structure, with screw thread)	1			
16E	3315102E0010	OIL PIPE ASSY QJ (pin valve structure, with screw thread)	1		2011	3315102E0001

