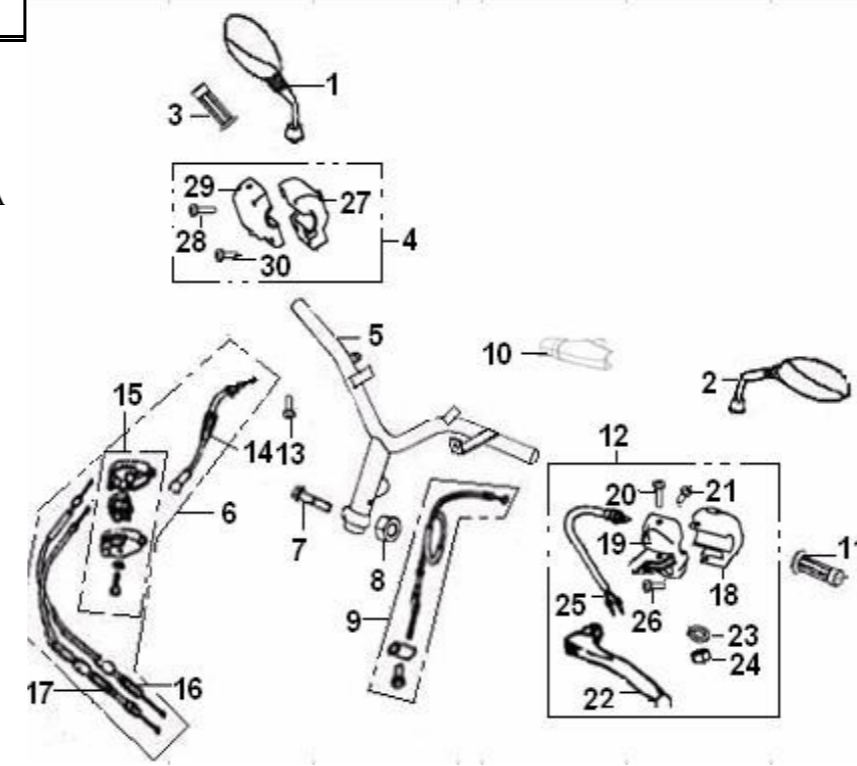


CATALOG CODE: QJ50QT-2 2009 version

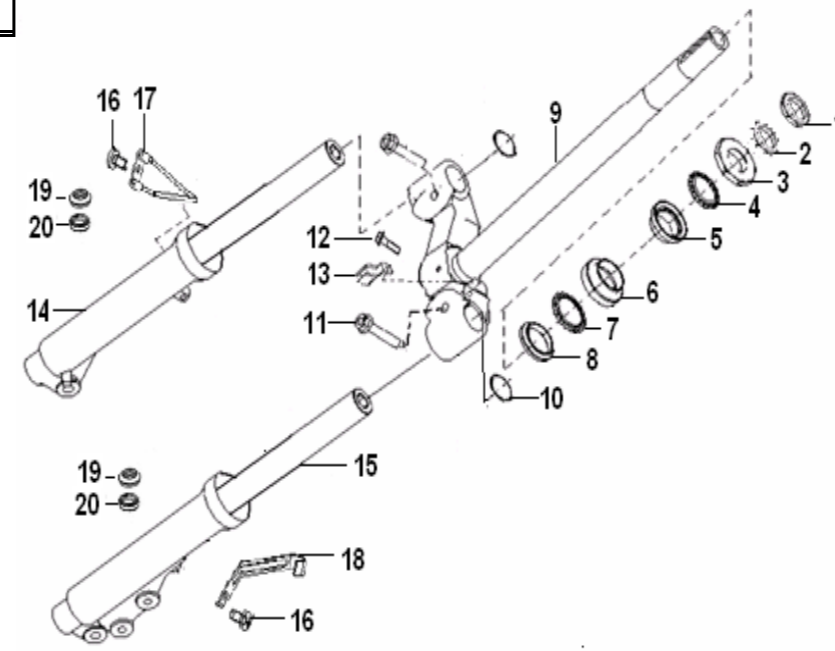
F01 CONTROL ASSY.

QTY	CODE	DESCRIPTION	QTY	NOTES	SEASON	OLD CODE
1	40470BMBT000	REAR VIEW MIRROR ASSY.RH. (BLACK)	1		2009	
2	40460BMBT000	REAR VIEW MIRROR ASSY.LH. (BLACK)	1		2009	
3	40212J4AT000	GRIP ASSY., THROTTLE	1		2009	
4	40600B910002	RIGHT HANDLE SWITCH, RH. ASSY.	1		2009	40600BM0T00A
5	40100B20TG81	JOINTING ASSY., HANDLE BAR	1		2009	
6	40300B030004	CABLE ASSY., THROTTLE (NEW)	1		2009	40300B20T001
7	B01091004565	BOLT M10X1.25X45	1		2009	
8	B04171012565	NUT M10X1.25	1		2009	
9	40270B20T001	CABLE COMP., REAR. BRAKE	1		2009	
10	40008BM0T000	PROTECTOR,, REAR. BRAKE CABLE	1		2009	
11	40001J4AT000	GRIP, LH.	1		2009	
12	40500BM0T000	LEFT HANDLE SWITCH ,1 ASSY.	1		2009	
13	B02000501025	SCREW M5X10	1		2009	
14	40330B030000	CABLE THROTTLE	1		2009	40306B20T000
15	40340B030001	JUNCTION BOX	1		2009	40340B20T001
16	40308B030000	OIL PUMP LINE	1		2009	40308B20T000
17	40307B030000	CARBURETOR LINE	1		2009	40307B20T001
18	40510BM0T000	LEFT HANDLE SWITCH	1		2009	
19	40520BM0T000	L. SWITCH FIXING SEAT	1		2009	
20	B02000502525	PAN HEAD SCREW 5X25	1		2009	
21	40004BMAT000	SCREW M5	1		2009	
22	40002BM0T000	LEFT LEVER	1		2009	
23	B07000000505	WASHER SPRING 5	1		2009	
24	B04000500065	NUT M5	1		2009	
25	91700BMAT000	STOP SWITCH ASSY.	1		2009	
26	B02000502025	PAN HEAD SCREW M5X20	1		2009	
27	40610B910002	RIGHT HANDLE SWITCH, RH.(DOT)	1		2009	40610BM0T00A
28	B02000502525	PAN HEAD SCREW M5X25	1		2009	
29	40620BM0T000	SWITCH FIXING R.	1		2009	
30	B02000502025	PAN HEAD SCREW M5X20	1		2009	



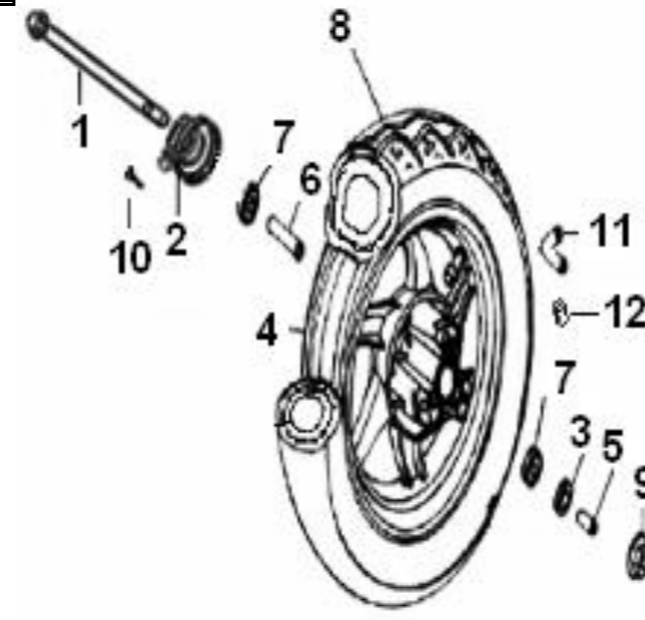
F02 FRONT FORK ASSY.

QTY	CODE	DESCRIPTION	NOTES	SEASON	OLD CODE
1	43008JOET000	PRESS NUT		2009	
2	43007B20T000	WASHER		2009	
3	43001B20T000	UPPER STEEL BOWL, UPPER BEARING		2009	
4	B06010110000	STEEL BALL Φ 3.969		2009	
5	43002B20T000	LOWER STEEL BOWL, UPPER BEARING		2009	
6	43003B20T000	UPPER STEEL BOWL, LOWER BEARING		2009	
7	B06010140000	STEEL BALL Φ 4.763		2009	
8	43004B20T000	LOWER STEEL BOWL, LOWER BEARING		2009	
9	43100B20T001	UNDER BRACKET COMP		2009	
10	43215BMA000	CLIP		2009	
11	B01591003065	FLANGE BOLT M10X1.25X30		2009	B01091003065
12	B01090601265	FLANGE BOLT M6X12		2009	B13170601264
13	43035BMBT000	HOLDER, BRAKE HOSE 2		2009	
14	43300B03BA00	R.H. FR. FORK ASSY.SILVER BLACK BA		2009	
15	43200B03BA00	L.H. FR. FORK ASSY.SILVER BLACK BA		2009	
16	B01070601665	BLOT M6X16		2009	B01070601605
17	43150BMA000	CABLE HOLDER		2009	
18	43021BM0T003	BRAKE HOSE HOLDER, 1		2009	
19	43290H00X000	COVER, ANTI-DUST		2009	
20	43260H00X000	OIL SEAL		2009	



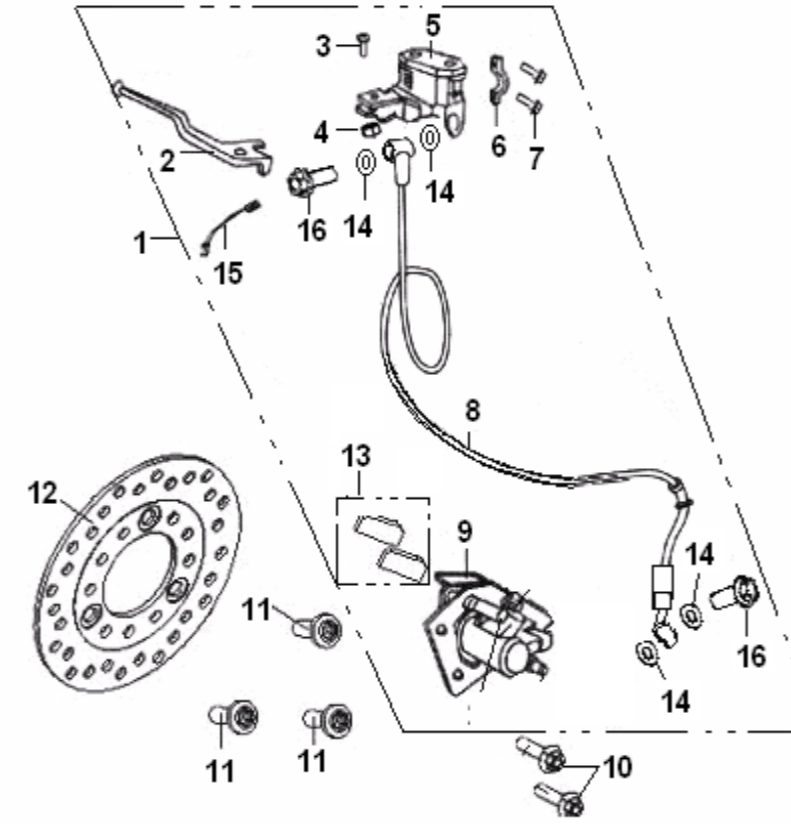
F03 FRONT WHEEL ASSY.

QTY	CODE	DESCRIPTION	NOTES	SEASON	OLD CODE
1	44005B20T001	AXLE, FRONT WHEEL		2009	
2	44200B20TBH1	SEAT ASSY., GEAR WHEEL,(BLACK BH)		2009	
3	44300B20T000	OIL SEAL		2009	
4	44100B03BH06	WHEEL HUB, FRONT, (BLACK BH)		2009	44102B20TBH4
5	44004B20T000	BUSHING RING		2009	
6	44006B20TT10	SPACER, BEARING		2009	
7	B12040100900	BEARING 6200-2RS		2009	
8	B140135010AA	TIRE 3.50-10 E11 75R-000197&DOT		2009	B140135010AB
9	B04171012564	NUT M10X1.25		2009	
10	B02020501624	SCREW M5X16		2009	B02020501664
11	B1403Z201110	VALVE		2009	B1403Z2011C0
12	B1404Z2011C0	CAP, VALVE		2009	



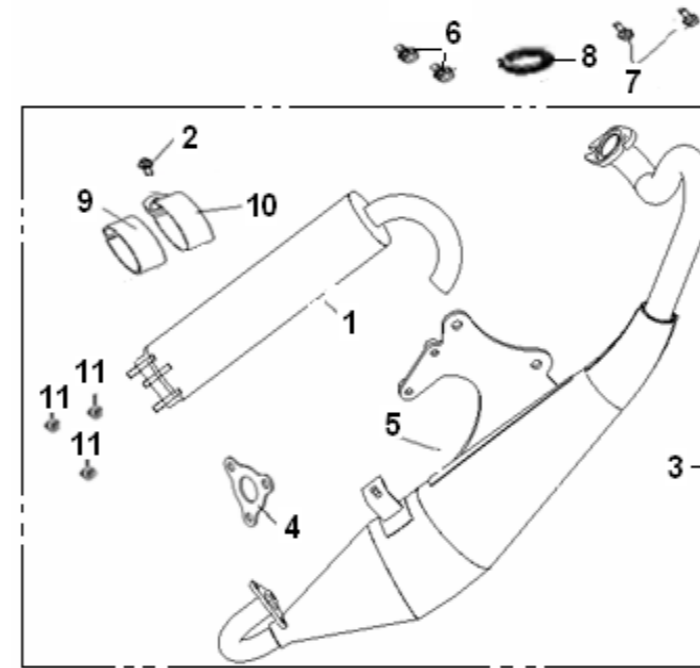
F04.2 DISC BRAKE ASSY. I for EPA market

QTY	CODE	DESCRIPTION	NOTES	SEASON	OLD CODE
1	45000B20T006	DISK BRAKE ASSY.		2009	45000B20T002
2	45022J3AT000	DISC BRAKE LEVER		2009	
3	45024J1CT000	LEVER MOUNTING SCREW 6MM		2009	
4	B04160600065	NUT 6MM		2009	
5	45400BMBTB30	CYLINDER COMP.(BLACK)		2009	
6	45023J1DT000	MASTER CYLINDER BRACKET		2009	
7	B01070602365	BOLT 6X23MM		2009	
8	45200B20T002	BRAKE HOSE ASSY. DOT		2009	45200B20T001
9	45500B20T002	CALIPER ASSY. (BLACK)		2009	
10	B01090803864	BOLT 8X38MM		2009	B01090803564
11	45036B20T000	BOLT		2009	
12	45033B20T000	BRAKE DISC		2009	45033BM0T000
13	45110B20T000	BRAKE PAD KIT MARK : WTC JB	1 set 2pcs/set, please order by set	2009	
14	45653B20T000	WASHER		2009	
15	45300J3AT000	STOP SWITCH ASSY.		2009	
16	45037J000000	FLANGE BOLT M10*1.25		2009	45651BMBT000



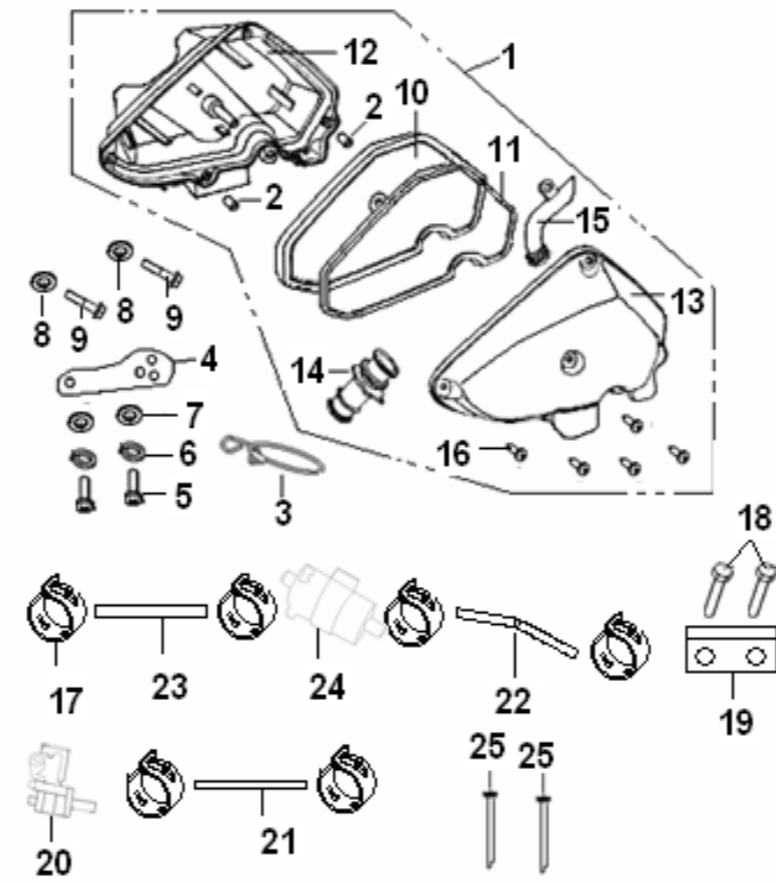
F05.2 SPORTY MUFFLER

QTY	CODE	DESCRIPTION	NOTES	SEASON	OLD CODE
1	48300BM0T000	Integrated MUFFLER CANISTER ASSY. (cylindric)		2009	
2	B01070601664	BOLT 6x16MM		2009	
3	47100B03000E	MUFFLER ASSY.COMP with catalyzer,SPORTY		2009	47100BM0T00G
4	47490BM0T005	CUSHION		2009	47490BM0T000
5	47200B20T006	MUFFLER ASSY.with catalyzer,SPORTY		2009	
6	B0109060166L	BOLT 6x16MM		2009	B01070601665
7	B01090801665	BOLT 8x16MM		2009	
8	47800B0DT000	GASKET, EXHAUST PIPE		2009	47800B2GT000
9	47833B2GT005	ADIABATIC RUBBER		2009	
10	48831B2GT005	HOLDING CLAMP, MUFFLER		2009	
11	47006J0AP000	NUT 6MM		2009	B04070600064



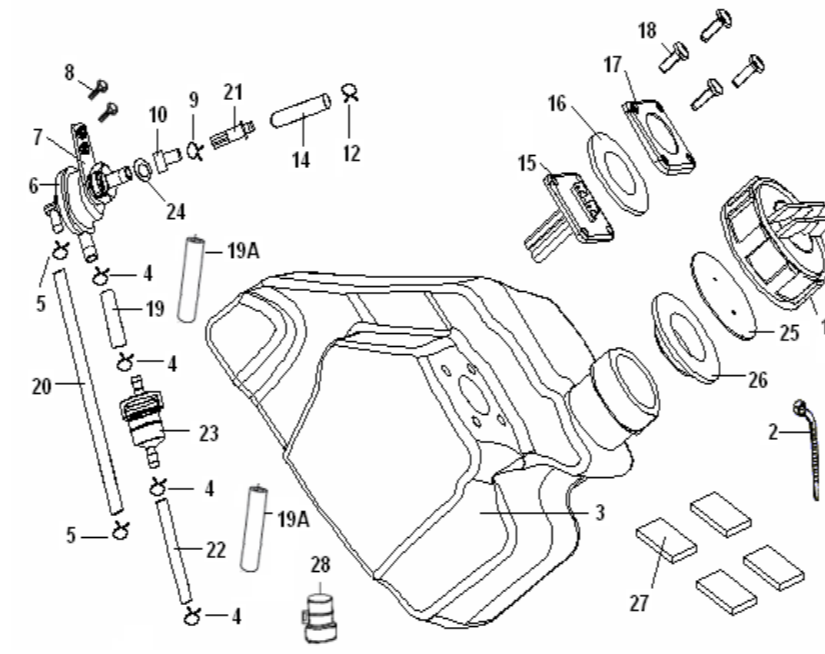
F06 AIR CLEANER ASSY.

QTY	CODE	DESCRIPTION	NOTES	SEASON	OLD CODE
1	49500B20T001	AIR CLEANER MARK: e3 KWAF02		2009	
2	49004B20T000	BUSH		2009	
3	49350B20T000	CLIP		2009	
4	49361B20T001	PLATE		2009	
5	B02000501665	SCREW M5X16		2009	
6	B07000000505	WASHER SPRING 5		2009	
7	B07030000505	WASHER 5		2009	
8	B07020000605	WASHER 6		2009	B07020000604
9	B01190603065	BOLT M6X30		2009	
10	49202B20T000	FILTER		2009	
11	49103B20T000	SEAL LOOP		2009	
12	49101B20T000	CASE, AIR CLEANER		2009	
13	49401B20T000	CAP, AIR CLEANER		2009	
14	49005B20T000	PIPE,AIR OUT		2009	49002B20T000
15	49002B20T000	PIPE,AIR IN φ16.5		2009	49005B20T000
16	B05074201905	TAPPING SCREW ST4.2X19		2009	B05004201905
17	49805BMBT000	SPRING II ,LOCK φ17.5		2009	
18	B01090601265	SCREW 6X12MM		2009	B13170601264
19	57051B2GT000	PLATE ,ONE WAY VALVE		2009	
20	49840B0ES000	ONE WAY VALVE II		2009	
21	49851B20T000	HOSE 570MM		2009	
22	49852B2GT000	HOSE 240MM		2009	
23	49853B2GT000	HOSE II 185MM		2009	
24	49870B2GT000	AIR CLEANER,SMALL		2009	
25	96001B20T000	BAND		2009	



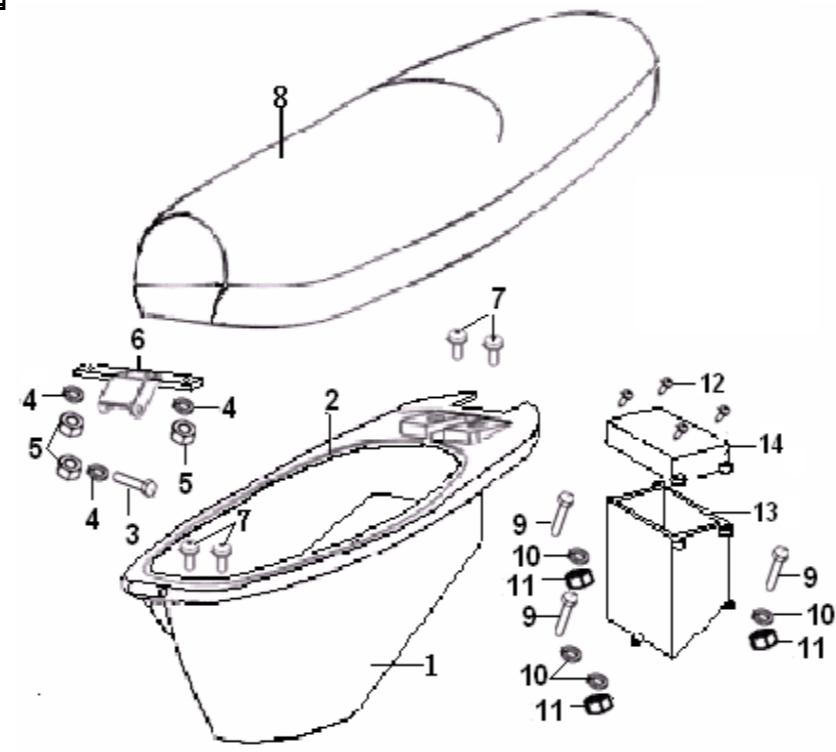
F07 FUEL TANK ASSY.

QTY	CODE	DESCRIPTION	NOTES	SEASON	OLD CODE
1	50201B0ET000	LIP FUEL TANK		2009	
1	50201T160000	LIP FUEL TANK	for EPA market with steel fuel	2009	
2	50910B0ET000	TIE ASSY. FUEL TANK		2009	
3	50100B0ETT10	BODY, FUEL TANK		2009	
3	50100B20T001	BODY, FUEL TANK	for EPA market with steel fuel	2009	
4	50307BM0T000	CLIPφ8		2009	
4	B17010090003	CLIPφ9		2009	
5	50306BM0T000	CLIPφ7		2009	
6	50300B0ET000	SWITCH ASSY		2009	
7	50313B20T000	PLATE.FUEL COCK		2009	
8	B02000501064	SCREW M5x10		2009	
9	50308B20T000	CLIPφ16		2009	
10	50311B20T000	COUPLER.FUEL COCK		2009	
12	50309B20T000	CLIPφ11		2009	
14	50351B030001	FILTER CASE		2009	50301B20T000
15	50800B020010	SENSOR ASSY.	for EPA market with steel fuel	2009	
16	50004B0ETT10	GLUE MAT		2009	
17	50003B0ETG80	SENSOR BOARD		2009	
18	B13140601405	BOLT ASSY. M6X14		2009	
19	50302B20T000	HOSE IIφ4.5×φ8.5×60		2009	
19A	50303B470001	HOSE IIIφ5×φ10×140 mark C-U-07-003		2009	
20	50303B20T000	HOSE IIIφ4×φ8×175		2009	
21	50352B20T000	FUEL FILTER		2009	
22	50304B20T000	HOSE φ4.5×φ8.5×150		2009	
23	50340J0ET000	FILTER, FUEL		2009	
24	50312B0ET000	RUBBER SEAL		2009	
25	50203B0ET000	LIP OIL TANK PLASTIC CUSHION		2009	
26	50202B0ET000	LIP OIL TANK SEAL		2009	
27	50920B0ET000	CUSHION		2009	
28	50391J0ET000	GASKET		2009	



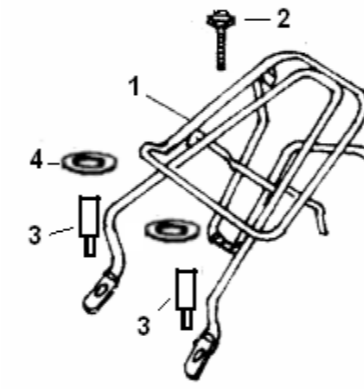
F08 SEAT ASSY.

QTY	CODE	DESCRIPTION	NOTES	SEASON	OLD CODE
1	51004B20T000	HELMET BOX		2009	
2	51012B20T000	AIRPROOF.BAR		2009	
3	51001B20T000	BOLT		2009	
4	B0700000603	WASHER SPRING 6		2009	
5	B04000600053	NUT M6		2009	
6	51005B20T000	MOUNTING PANEL ,SEAT		2009	
7	B13060601664	SCREW M6X16		2009	
8	51100B03000B	SEAT COMP.red line	used for red R8/WF & black BH v	2009	
8	51100B03001B	SEAT COMP.white line	used for white WF & blue E6/BH \	2009	
9	B01010501664	BOLT M5X16		2009	B01090501664
10	B07020000504	WASHER 5		2009	
11	B04000500054	NUT M5		2009	
12	B05072901605	TAPPING SCREW ST2.9X16		2009	B05002901605
13	65816B20T000	CASE.BATTERY		2009	
14	65813B20T001	CAP.BATTERY	used for vehicle with YTX5L-BS	2009	
14	65813B030003	CASE.BATTERY	used for vehicle with YTX4L-BS	2009	65813B20T000



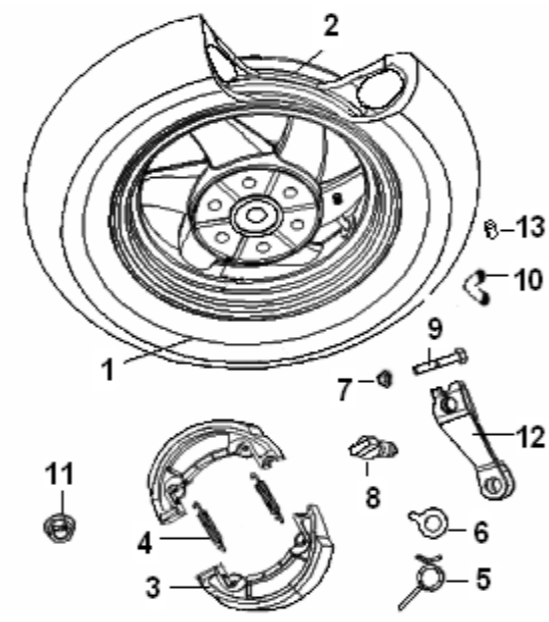
F09.1 CARRIER ASSY. (steel)

QTY	CODE	DESCRIPTION	QTY	NOTES	SEASON	OLD CODE
1	52011B20T000	REAR CARRIER	1		2009	
2	B01070601665	BOLT M6X16	1		2009	B01070601605
3	51016B20T000	SPECIAL SCREW	2		2009	
4	65822J00P000	DECORATIVE COVER	2		2009	B01070601665



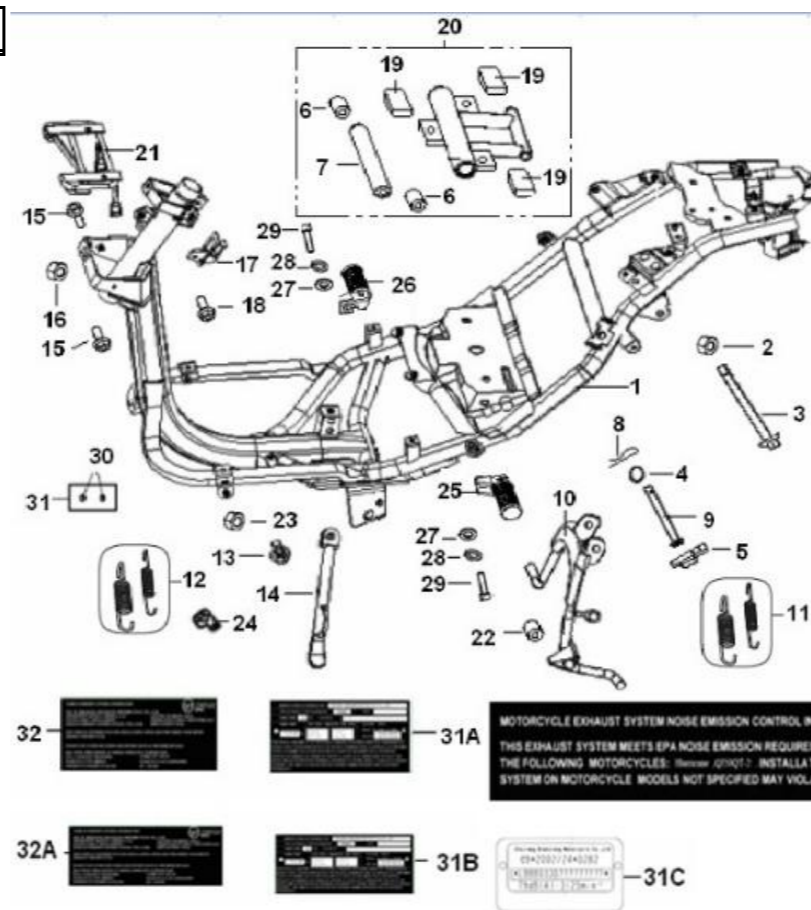
F10 REAR WHEEL ASSY.

QTY	CODE	DESCRIPTION	NOTES	SEASON	OLD CODE
1	B140135010AA	TIRE 3.5-10 E11 75R-000197&DOT		2009	B140135010AB
1	54100B03BH06	RIM ASSY., REAR WHEEL (BLACK BH)		2009	54100B20TBH1
1 set	54200B00T000	SHOE ASSY., REAR BRAKE MARK:PJ ST5G3-00	2pcs/set, please order by set	2009	
2	54001B00T000	SPRING, BRAKE SHOE		2009	
1	54008B0ET000	RETURN SPRING		2009	
1	54002B00T000	REAR INDICATOR		2009	
1	B04170600064	NUT M6		2009	B04170600064
1	54003B0ET000	CAMSHAFT, REAR BRAKE		2009	
1	B01010603024	BOLT M6X30		2009	B01010603064
1	B1403Z201110	VALVE		2009	B1403Z2011C0
1	B04171415064	NUT M14X1.5		2009	
1	54007B0ET000	ROCKER,REAR BREAK		2009	
1	B1404Z2011C0	CAP, VALVE		2009	



F11 FRAME ASSY.

QTY	CODE	DESCRIPTION	NOTES	SEASON	OLD CODE
1	57100B20TT13	JOINTING ASSY., FRAME		2009	
2	B04171012564	NUT M10X1.25		2009	
3	58301B20T000	AXLE, SUPPORT		2009	
4	58505B20T000	PROTECTOR, MAIN STAND		2009	
5	58506B20T000	CLIP, BRAKE CABLE		2009	
8	B09003202823	COTTER PIN		2009	
9	58501B450050	SHAFT, MAIN STAND	used form 2010	2010	58501B410000
10	58520B030005	MAIN STAND ASSY	used form 2010	2010	58520B030004
11	58502B20T000	SPRING, MAIN STAND		2009	
12	57003B20TT10	SPRING, SIDE STAND		2009	57010B20TT10
13	57005J0ET000	BOLT M8x20		2007-2009	57005B20TT10
13	57005B410001	BOLT M8x35.5		2010	
14	58700B20TT11	JOINTING ASSY., SINGLE STAND	for NON-EEC & EPA market	2007-2009	
14	58700B030005	JOINTING ASSY., SINGLE STAND	For Side Stand without	2010	
15	B01090601664	BOLT M6X16		2009	B01090602064
16	B04070600064	NUT M6		2009	B04070600054
17	57007B20T000	POTHOOK, HELMET		2009	
18	B01090601664	BOLT M6X16		2009	B01090602064
19	58342B20T000	DAMPER		2009	
20	58320BSAT000	SUSPEND FRAME ASSY., ENGINE		2009	58300B20T000
21	58200B20TT11	BRACKET ASSY., FRAME FRONT		2009	
22	58504B20T000	RUBBER, MAIN STAND		2009	
23	B04070800065	U NUT M8		2009	
24	57006BM0T000	HOOK		2009	
25	58260J000035	FOOTCAST, ASSY,LEFT		2009	58280B20T000
26	58280J000035	FOOTCAST, ASSY,RIGHT		2009	58260B20T000
27	B07030001004	WASHER 10mm		2009	
28	B07000001004	WASHER SPRING 10mm		2009	
29	B02051002264	BOLT 10X22mm		2009	
31	57001B030005	PLATE, LABEL		2009	
31A	57001B030005	PLATE, LABEL		2009	
31A	57001B030005	PLATE, LABEL		2009	
32	05532B920006	EPA		2009	
33	05536B03000E	LABEL NOISE		2009	

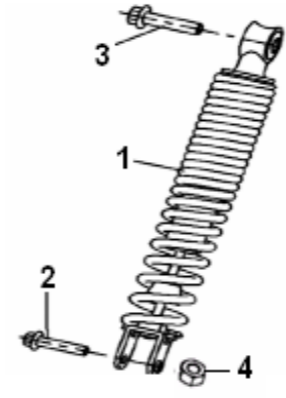


MOTORCYCLE EXHAUST SYSTEM NOISE EMISSION CONTROL INFO
 THIS EXHAUST SYSTEM MEETS EPA NOISE EMISSION REQUIREMENTS
 THE FOLLOWING MOTORCYCLES: These are not installable for
 SYSTEM ON MOTORCYCLE MODELS NOT SPECIFIED MAY VIOLATE



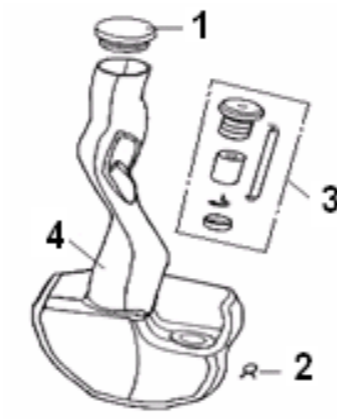
F12 REAR SHOCK ABSORBER ASSY.

QTY	CODE	DESCRIPTION	NOTES	SEASON	OLD CODE
1	63100B20TBH1	ABSORBER ASSY.(BLACK BH)		2009	
2	B01070804064	BOLT 8X40MM		2009	
3	B01071004064	BOLT 10X1.25X 40MM		2009	
4	B04070008064	NUT M8MM		2009	



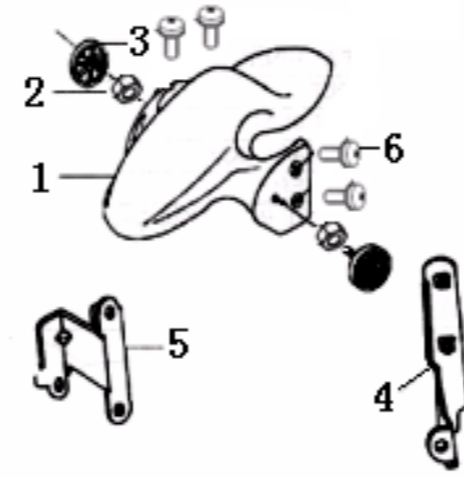
F13 OIL TANK ASSY.

QTY	CODE	DESCRIPTION	NOTES	SEASON	OLD CODE
1	64091B20T000	CAP, OIL TANK		2009	
2	50307BM0T000	CLIPφ8		2009	
3	64100B20T000	SENSOR, OIL POSITION		2009	
4	64001B20T000	OIL TANK		2009	



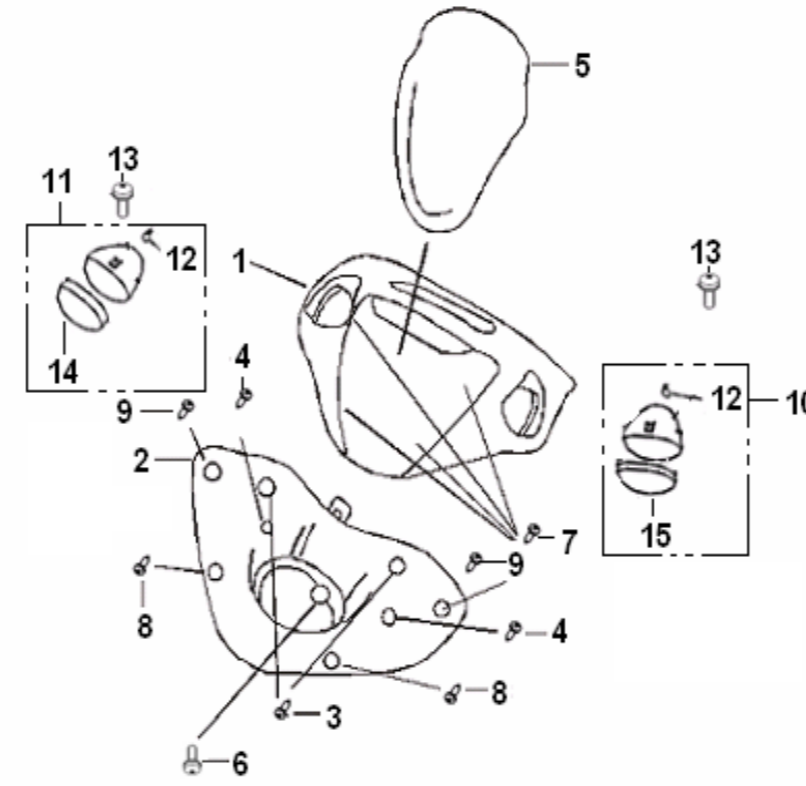
F14 FRONT FENDER ASSY.

QTY	CODE	DESCRIPTION	NOTES	SEASON	OLD CODE
1	65101BMBTBH0	FENDER ,FRONT, (BLACK BH)	used for blue E6/BH,black BH vel	2009	
1	65101BMBTWF0	FENDER ,FRONT,(WHITE WF)	used for red R8/WF,white WF vel	2009	
2	B04070600064	NUT M6		2009	B04070600054
3	86300B20T001	FRONT REFLECTOR (DOT)		2009	
4	65130B20T000	FENDER ,FRONT, LH.BRACKET		2009	
5	65140B20T000	FENDER ,FRONT, RH.BRACKET		2009	
6	65114BMBT000	FENDER SCREW,FRONT		2009	



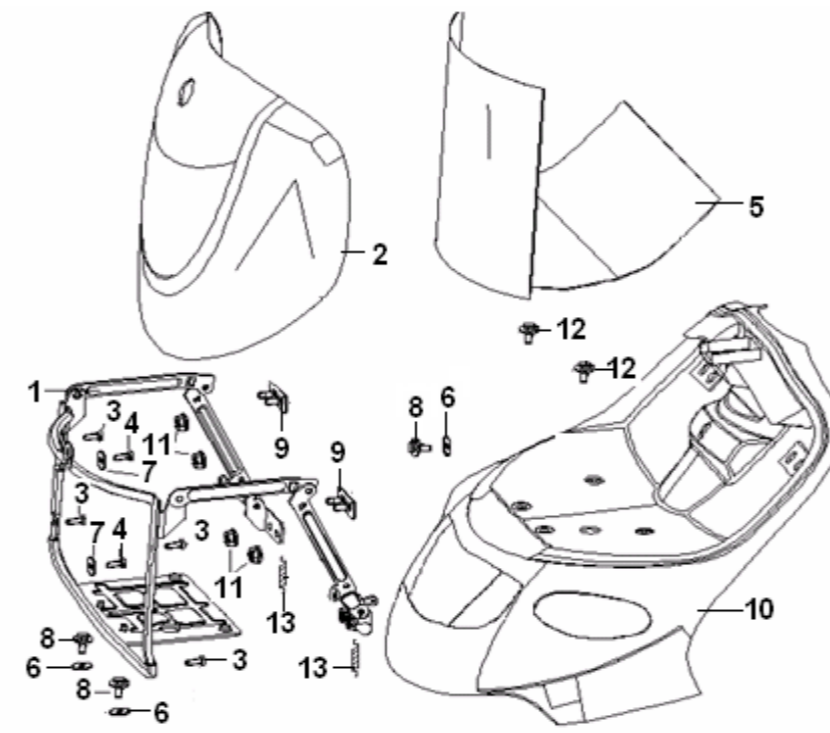
F15 HANDLE COVER ASSY.

QTY	CODE	DESCRIPTION	NOTES	SEASON	OLD CODE
1	65201BMBTBH0	HANDLE COVER, UP,(BLACK BH without sticker)	used for black BH,blue E6/BH veh	2009	65201BMBTBH1
1	65201BMBTWf0	HANDLE COVER, UP,(WHITE WF without sticker)	usd for red R8/WF,white WF vehi	2009	
2	65203B20T000	HANDLE COVER, DOWN		2009	
3	B05075001605	TAPPING SCREW, ST5X16		2009	
4	B05074001605	TAPPING SCREW, ST4X16		2009	
5	65203BMBT000	METER VISION ASSY.	used for white WF,black BH vehic	2009	
5	65203BMBTD50	METER VISION ASSY.WATERMARK D5	ussed for red R8/WF,blue E6/BH	2009	
6	B13010501405	SCREW,5X14		2009	
7	B05073001005	TAPPING SCREW,ST3X10		2009	
8	B05075001205	TAPPING SCREW,ST5X12		2009	
9	B05074001205	TAPPING SCREW,ST4X12		2009	
10	81100B20T002	FLASHER LIGHT ASSY., 1 MARK:DOT/VEINTO		2009	
11	81300B20T002	FLASHER LIGHT ASSY., 2 MARK:DOT/VEINTO		2009	
12	B24012120000	BULB, 12V/10W		2009	81004BMBT000
13	08005AE0D000	SCREW W/WASHER 5X11.5		2009	B13060501205
14	81302B20T000	LIGHT COVER, RH.		2009	81302B20T001
15	81102B20T000	LIGHT COVER, LH.		2009	81102B20T001



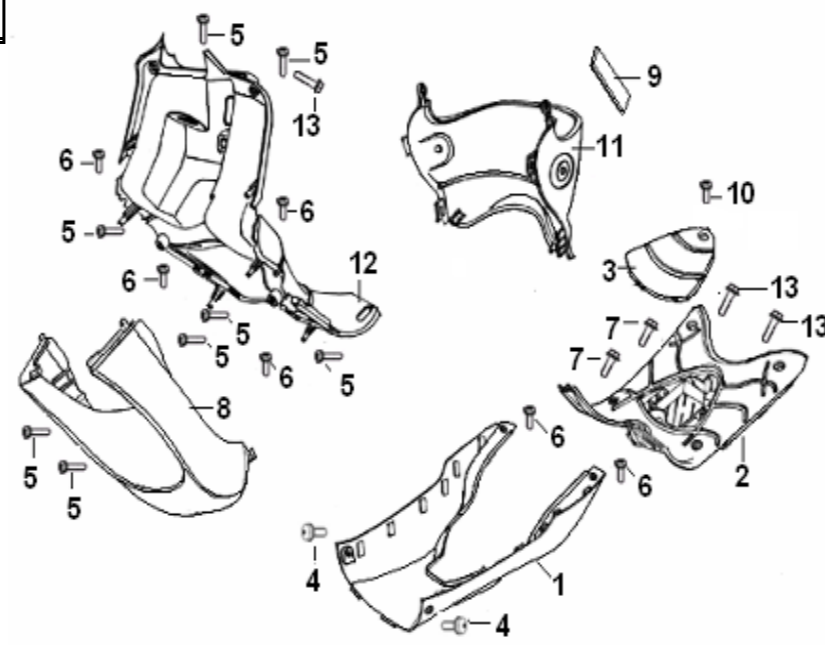
F16 FRONT COVER ASSY.

QTY	CODE	DESCRIPTION	NOTES	SEASON	OLD CODE
1	65340B20T000	FRAME, FRONT		2009	
2	65301B20TR80	FACEPLATE,(RED R8/WF) without sticker	used for red R8/WF vehicle	2009	
2	65301B20TBH0	FACEPLATE,(BLACK BH) without sticker	used for black BH vehicles	2009	
2	65301B20TE60	FACEPLATE,(BLUE E6) without sticker	used for blue E6/BH vehicle	2009	
2	65301B20TWF0	FACEPLATE,(WHITE WF) without sticker	used for white WF vehicle	2009	
3	B05074201304	TAPPING SCREW ST4.2X13		2009	B05004201604
4	B05074201604	TAPPING SCREW ST4.2X16		2009	B05004201604
5	65390B20T000	FRONT RACK		2009	
6	B07020000605	WASHER 6		2009	B07020000604
7	B07020000504	WASHER 5		2009	
8	B01010601664	BOLT M6X16		2009	B01010601665
9	65330B20T000	FIXING SEAT		2009	
10	65302B20T000	MOTHERBOARD, FRONT COVER		2009	
11	B04070600064	NUT M6		2009	B04070600054
12	B01070602024	BOLT M6X20		2009	B01010602065



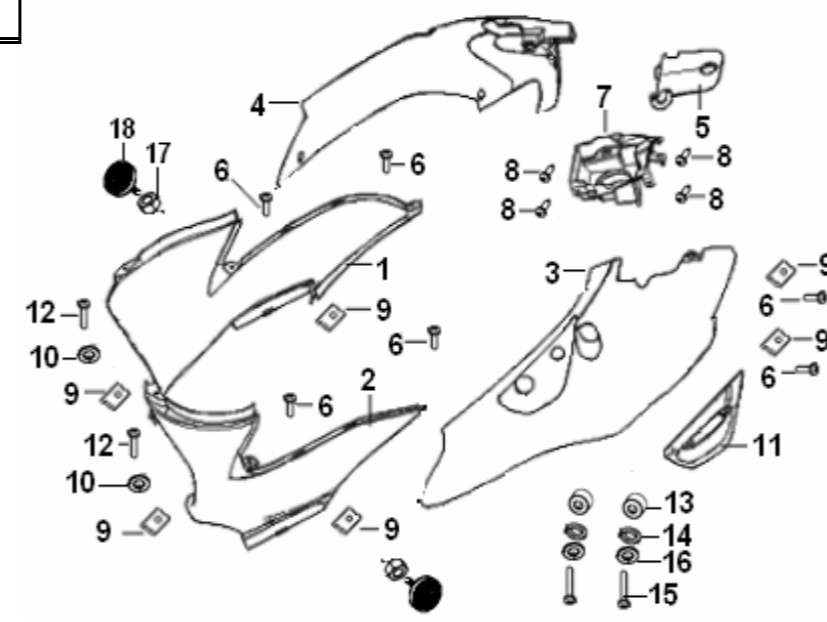
F17 LEG SHIELD ASSY.

QTY	CODE	DESCRIPTION	NOTES	SEASON	OLD CODE
1	65407B20TBH0	COVER LOWER II ,(BLACK BH)without sticker	used for black BH vehicles	2009	
1	65407B20TR80	COVER LOWER II ,(RED R8/WF)without sticker	used for red R8/WF vehicle	2009	
1	65407B20TWF0	COVER LOWER II ,(WHITE WF)without sticker	used for white WF vehicles	2009	
1	65407B20TE60	COVER LOWER II ,(BLUE E6)without sticker	used for blue E6/BH vehicles	2009	
2	65401B20T000	FOOTPLATE		2009	
3	65411B20T000	CAP FOOTPLATE		2009	
4	B13060601605	SCREW M6x16		2009	
5	B05074201605	TAPPING SCREW , ST4.2X16		2009	B05004201605
6	B05074201305	TAPPING SCREW , ST4.2x13		2009	B05004201305
7	B01070601265	BOLT M6X12		2009	
8	65406B20T000	COVER LOWER I		2009	
9	65403B20T000	INSPECT COVER		2009	
10	B05074802005	SCREW ST4.8x20		2009	B02000502005
11	65404B20T000	COVER,FRONT LUGGAGE BOX		2009	
12	65402B20T000	COVER, REAR		2009	
13	B01070601665	BOLT M6x16		2009	B01070601605



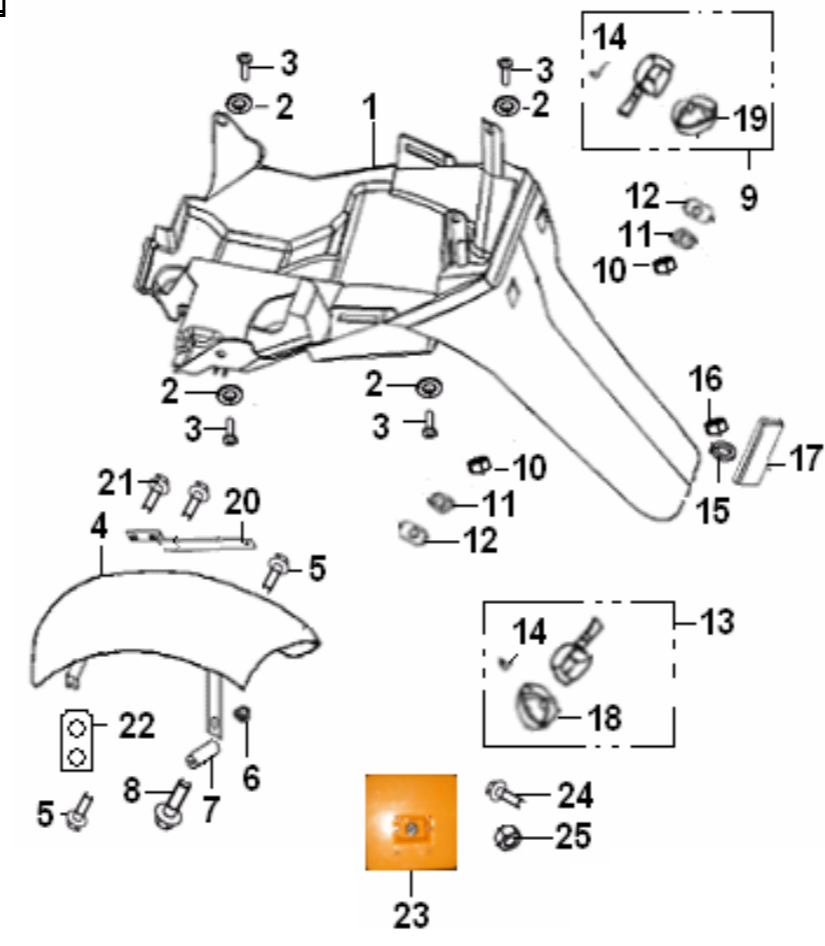
F18 FRAME COVER ASSY.

QTY	CODE	DESCRIPTION	NOTES	SEASON	OLD CODE
1	65603B20T001	COVER FRONT RH	only used for EPA market	2009	65603B20T000
2	65601B20T001	COVER FRONT LH	only used for EPA market	2009	65601B20T000
3	65604B20TBH0	COVER REAR LH,(BLACK BH)without sticker	used for blue E6/BH,black BH vel	2009	
3	65604B20TWF0	COVER REAR LH,(WHITE WF)without sticker	used for white WF,red R8/WF vel	2009	
4	65602B20TBH0	COVER REAR RH,(BLACK BH)without sticker	used for blue E6/BH,black BH vel	2009	
4	65602B20TWF0	COVER REAR RH,(WHITE WF)without sticker	used for white WF,red R8/WF vel	2009	
5	65606B20TBH0	COUPLING BOARD,(BLACK BH)	used for blue E6/BH,black BH vel	2009	
5	65606B20TWF0	COUPLING BOARD,(WHITE WF)	used for white WF,red R8/WF vel	2009	
6	B05070421605	TAPPING SCREW ST4.2x16		2009	B05070401205
7	65615B20T000	BOARD, FUEL TANK FIXING		2009	
8	B05070401005	TAPPING SCREW, ST4x10		2009	
9	65801B20T000	CARD		2009	B05004201305
10	B07030000504	WASHER 5MM		2009	65801B20T000
11	65612B20T000	HANDLE, LH		2009	
12	B05074201605	TAPPING SCREW, ST4.2x16		2009	B05004201605
13	65613B20T000	BUSH, HANDLE		2009	
14	B07030000604	WASHER 6		2009	B07010000604
15	B02000603064	SCREW M6x30		2009	B02000602564
16	B07000000604	WASHER SPRING 6		2009	
17	B04070600064	NUT,M6		2009	B04070600054
18	86400B20T001	REAR REFLECTOR,RH,LH		2009	



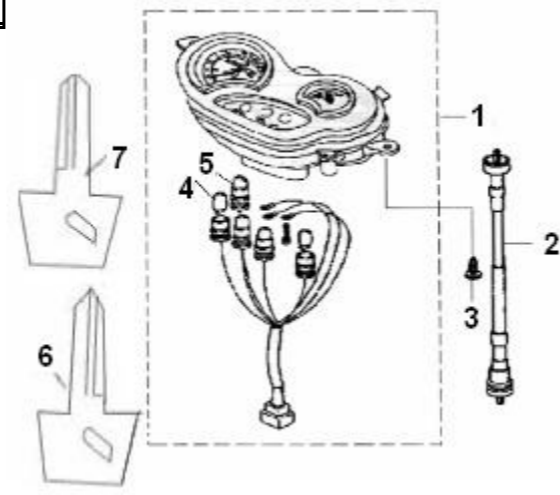
F19 REAR FENDER ASSY.

QTY	CODE	DESCRIPTION	NOTES	SEASON	OLD CODE
1	65701B20T000	FENDER, REAR		2009	
2	B07020000605	WASHER 6		2009	B07020000604
3	B01010601625	BOLT M6x16		2009	B01010601664
4	65701B030001	TAIL. REAR FENDER	start VIN	2009	65702B20T000
5	B01070601265	BOLT M6X12		2009	
6	65810B20T000	FIT NUT ASSY,FENDER		2009	
7	65763B20T000	FIT BUSH,FENDER		2009	
8	B01090604263	BOLT M6X42		2009	B01090604265
9	81700B20T002	TURN LIGHT,F.R.E-MARK: DOT/VEINTO		2009	
10	B04021012554	NUT M10X1.25		2009	
11	81703B20T000	RUBBERCUSHION,REARTURNLIGHT		2009	
12	81704B20T000	CUSHION,REAR TURN LIGHT		2009	
13	81500B20T002	TURN LIGHT,R.LH. MARK: DOT/VEINTO		2009	
14	B24012120000	BULB, 12V/10W		2009	81004BMBT000
15	B07020000505	WASHER 5		2009	
16	B04000500065	NUT M5		2009	
17	86500B20T001	REAR REFLECTOR E-MARK: DOT		2009	
18	81302B20T000	LIGHT COVER, R.		2009	81302B20T001
19	81102B20T000	LIGHT COVER, LH.		2009	81102B20T001
20	57861B20T001	RR. FENDER BRACKET, R		2009	
21	B01090601264	BOLT 6X12MM		2009	
22	65770B20T000	BRACKET ASSY		2009	



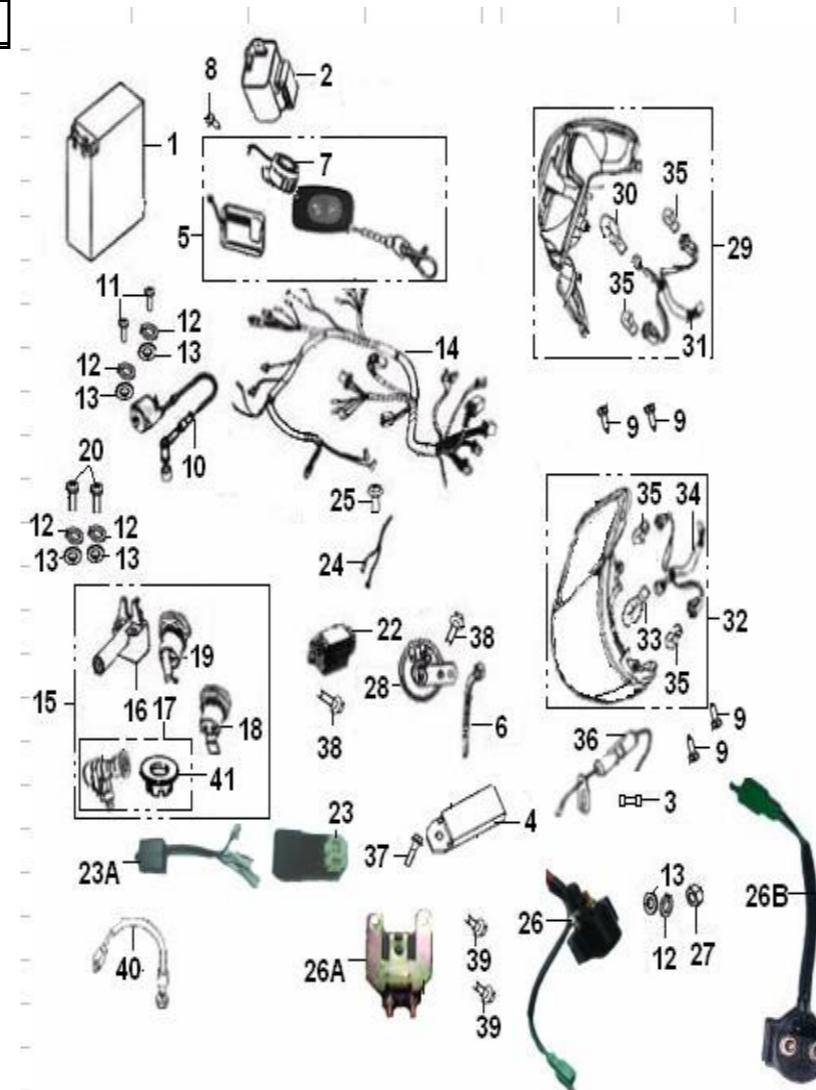
F20 SPEEDOMETER ASSY.

QTY	CODE	DESCRIPTION	NOTES	SEASON	OLD CODE
1	70000B920038	SPEEDOMETER ASSY.		2009	
1	72900J4FT000	CABLE ASSY, SPEEDOMETER		2009	
3	B05074001205	TAPPING SCREW ST4X12		2009	
2	B24012920000	BULB 12V-3W		2009	70001BMBT000
3	B24020221100	BULB 12V-2W		2009	70036BMBT000
1	88900B03000X	KEY NUT LEFT		2009	
1	88900B03001X	KEY NUT RIGHT		2009	



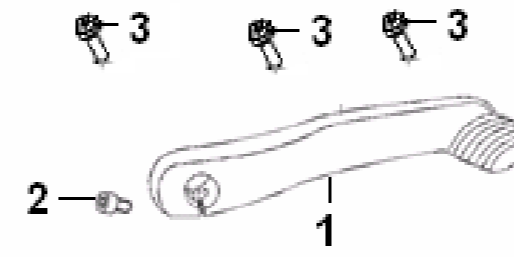
F21 ELECTRICAL EQUIPMENT ASSY.

QTY	CODE	DESCRIPTION	NOTES	SEASON	OLD CODE
1	96100BM0T000	BATTERY ASSY. 12V,4AH (YTX5L-BS)	used for vehicle with YTX5L-BS	2009	96100B20T000
1	96100B030010	BATTERY ASSY. 12V,3AH (YTX4L-BS)	used for vehicle with YTX4L-BS	2009	
2	96400K00P001	FLASHER (MANUAL TYPE)		2009	
3	96800B20T000	FUSE COMP		2009	
5	95700B20T000	ALARM SYSTEM ASSY		2009	
6	96001B20T000	BAND 8X200		2009	
7	95730B20T000	ALARM SYSTEM HORN		2009	
8	B05004201605	TAPPING SCREW ST4.2X16		2009	
9	B05074801305	TAPPING SCREW ST4.8x13		2009	B05004801305
10	96200B0D0T000	COIL ASSY.,IGNITION		2009	
11	B02000602064	SCREW M6x20		2009	
13	B01090601665	BOLT 6x16MM		2009	
14	92000B03001G	HARNESS, WIRING		2009	
15	88000B030004	LOCK COMP.mark:on,off		2009	
16	88800B20T000	SEAT LOCK		2009	
17	88100B030004	LOCK ASSY. STEERING mark:on,off		2009	
18	88400B20T000	LOCK FUEL TANK		2009	
19	88200B20T000	LOCK, FRONT LUGGAGE BOX		2009	
20	B02000604024	SCREW M6x40		2009	B02000604064
21	B01090601665	BOLT 6x16MM		2009	
22	98801JOET000	RECTIFIER		2009	
23A	97701BM0T000	C.D.I. UNIT COMP.		2009	
24	96900B00T000	WIRE, EARTH		2009	
26	94100J000002	RELAY ASSY.,STARTER		2009	94000B20T000
27	B01090601065	BOLT 6x10MM		2009	
28	95000B50T000	HORN ASSY.		2009	
29	82008B20T001	TAIL LIGHT ASSY. RR DOT/VENTO		2009	
30	B24013820000	TAIL LIGHT BULB 12V/21W/5W		2009	82005B20T000
31	82900B20T001	WIRING ASSY. TAIL LIGHT		2009	
32	80004B20T001	HEADLIGHT COMP. DOT/VEINTO		2009	80000B030001
33	B24010520000	HEADLIGHT BULB 12V35/35W		2009	80002B20T000
34	80020B20T000	WIRING ASSY.HEAD LIGHT		2009	
35	B24020321102	INDICATOR BULB 12V/3W		2009	81004B50T000
36	96810B20T000	FUSE		2009	
38	B01090601665	BOLT 6x16MM		2009	
39	B01090601065	BOLT 6x10MM	Used with new type relay (NO 26A)	2009	
40	92200A020001	WIRE		2009	
41	88101B030000	COVER MAIN SWITCH mark:on,off	only for USA market		



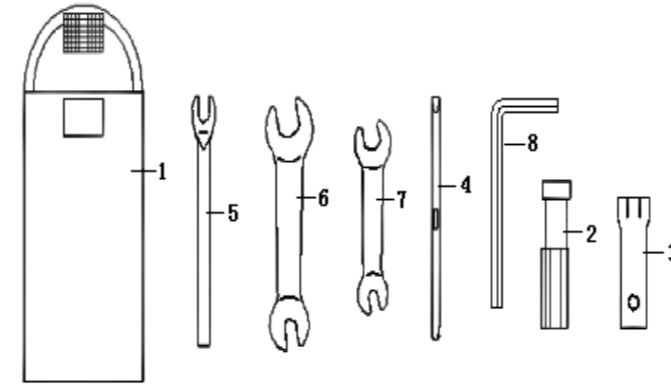
F22 ENGINE ATTACHMENT

QTY	CODE	DESCRIPTION	NOTES	SEASON	OLD CODE
1	08351BM0THU0	KICK STARTER ASSY.SILVER GRAY HU		2009	
2	B02050602565	BOLT M6X25		2009	
3	B01070602564	BOLT 6X25MM		2009	



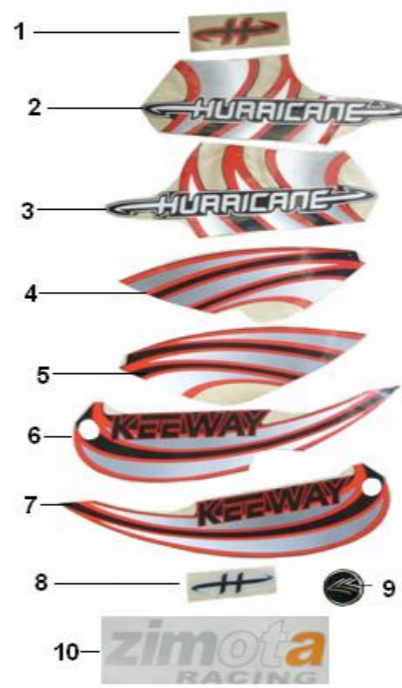
F23 TOOL KIT ASSY.

QTY	CODE	DESCRIPTION	NOTES	SEASON	OLD CODE
1	02110G00P000	BAG, TOOL KIT		2009	
2	02104G00P000	HANDLE, SCREW DRIVER		2009	
3	02101B20T000	SOCKET, SPARK PLUG		2009	
4	02103G00P000	DRIVER, DOUBLE-ENDED		2009	
5	02108G00P000	WRENCH		2009	
6	B20011301603	WRENCH, DOUBLE-ENDED 13-16		2009	B20011301600
7	B20011001203	WRENCH, DOUBLE-ENDED 10-12		2009	B20011001200
8	B20020600003	SOCKET SPANNER 6		2009	B20020600000



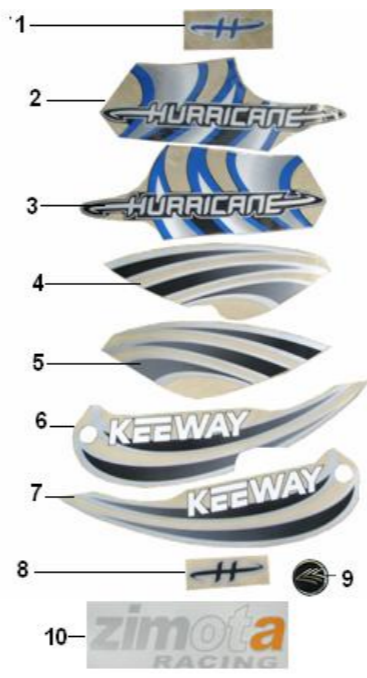
F24.1 STICKER ASSY._USED FOR BLACK BH VEHICLE

QTY	CODE	DESCRIPTION	SEASON	OLD CODE
1	05523B03BH0P	STICKER,HANDLE COVER	2009	
1	05511B03BH0P	STICKER,SIDE COVER LH REAR.	2009	
1	05512B03BH0P	STICKER,SIDE COVER RH REAR.	2009	
1	05521B03BH0P	STICKER,FRONT COVER LH.	2009	
1	05522B03BH0P	STICKER,FRONT COVER RH.	2009	
1	05544B03BH0P	STICKER,LOWER COVER II LH.	2009	
1	05545B03BH0P	STICKER,LOWER COVER II RH.	2009	
2	05542B03BH0P	STICKER,LOWER COVER I LH. RH.	2009	
1	05525BMBT004	MARK ,BIRD BLACK	2009	



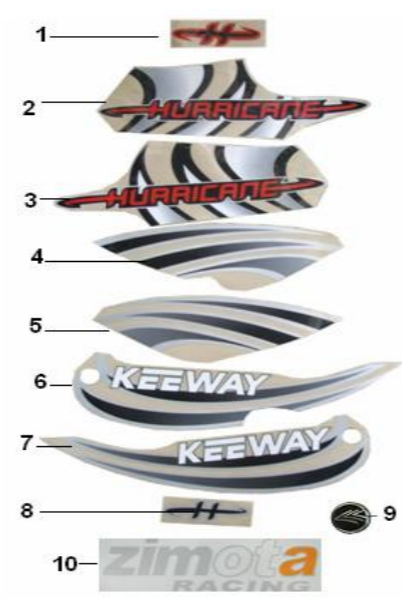
F24.2 STICKER ASSY._USED FOR BLUE E6/BH VEHICLE

QTY	CODE	DESCRIPTION	NOTES	SEASON	OLD CODE
1	05523B03E60P	STICKER,HANDLE COVER		2009	
1	05511B03E60P	STICKER,SIDE COVER LH REAR.		2009	
1	05512B03E60P	STICKER,SIDE COVER RH REAR.		2009	
1	05521B03E60P	STICKER,FRONT COVER LH.		2009	
1	05522B03E60P	STICKER,FRONT COVER RH.		2009	
1	05544B03E60P	STICKER,LOWER COVER II LH.		2009	
1	05545B03E60P	STICKER,LOWER COVER II RH.		2009	
2	05542B03BH0P	STICKER,LOWER COVER I LH. RH.		2009	
1	05525BMBT004	MARK ,BIRD BLACK		2009	



F24.3 STICKER ASSY._USED FOR WHITE WF, RED R8/WF VEHICLE

QTY	CODE	DESCRIPTION	SEASON	OLD CODE
1	05523B03BH0P	STICKER,HANDLE COVER	2009	
1	05511B03WF0P	STICKER,SIDE COVER LH REAR.	2009	
1	05512B03WF0P	STICKER,SIDE COVER RH REAR.	2009	
1	05521B03E60P	STICKER,FRONT COVER LH.	2009	
1	05522B03E60P	STICKER,FRONT COVER RH.	2009	
1	05544B03E60P	STICKER,LOWER COVER II LH.	2009	
1	05545B03E60P	STICKER,LOWER COVER II RH.	2009	
2	05542B03BH0P	STICKER,LOWER COVER I LH. RH.	2009	
1	05525BMBT004	MARK ,BIRD BLACK	2009	



F25 BACK BOX ASSY

QTY	CODE	DESCRIPTION	NOTES	SEASON	OLD CODE
1	52200B03WFBA	BACK BOX ASSY (WHITE/BLACK WF/BA)	used for red R8/WF,white WF vet	2009	
1	52200B03BHBA	BACK BOX ASSY (BLACK/BLACK BH/BA)	used for black BH,blue E6/BH vet	2009	
2	B01010602524	BOLT M6X25		2009	B01010602564
3	88600BMBT000	BACK BOX LOCK		2009	
4	52221BMBT000	WASHER		2009	
5	B07020000604	WASHER 6		2009	
6	B07000000604	WASHER SPRING , 6		2009	
7	B04000600055	NUT M6		2009	B04000600065
8	B01010601224	BOLT 6X12MM		2009	B01010601264
9	52183B20T000	FIX BOARD		2009	
10	52181B20T000	FIX BOARD I		2009	
11	52182B20T000	FIX BOARD II		2009	
12	05591BMBT000	BACK BOX COVER		2009	
13	B01070601663	SCREW M6x16		2009	
14	52910BMBT000	NUT,CLIPPING M6		2009	

