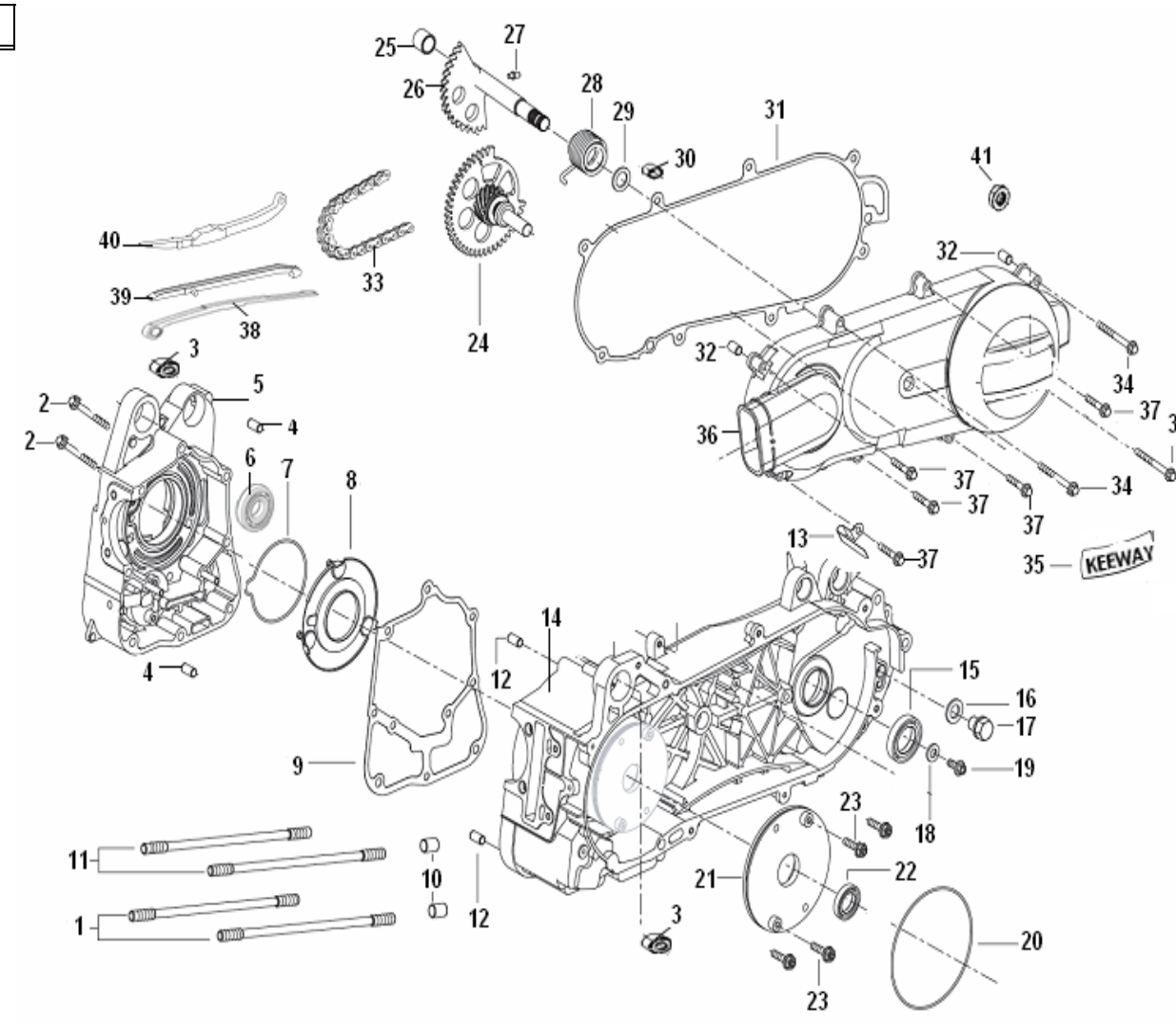


HACKER 150cc engine

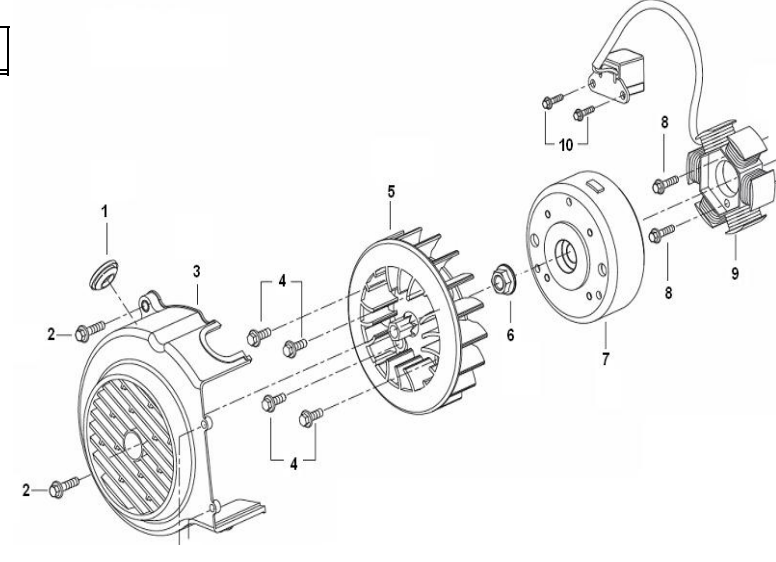
E01.CRANKCASE ASSY-KICK STARTER-SIDE COVER ASSY

NO.	CODE	DESCRIPTION	QTY	NOTES	OLD CODE
1	15910314002X	LONG BOLT	2		
2	B01070605064	BOLT	2		
3	150015050000	GROMMET	2		
4	160073070000	PIN	2		
5	159034020000	CRANKCASE ASSY,RIGHT	1		
6	150163060010	BEARING	1		
7	150143060000	SEAL RING	1		
8	150123060000	FILTER DISK ASSY	1		
9	150173060000	GASKET,CRANKCASE	1		
10	150093050000	AXILE BUSH	2		
11	15910314001X	LONG BOLT	2		
12	150103060010	PIN	2		
13	150113060000	LINE FIXED BRACKET	1		
14	159041230000	CRANKCASE ASSY,LEFT	1		
15	220073050000	OIL SEAL	1		
16	200014130000	WASHER	1		
17	159073050000	DRAIN PLUG SCREW	1		
18	210013050000	WASHER	1		
19	B01070801564	BOLT M8X15	1		
20	150042140000	O SEAL RING	1		
21	169063060010	SMALL COVER,LEFT	1		
22	160013060000	OIL SEAL	1		
23	B01070601864	BOLT	2		
24	250013060000	GEAR COMP,STARTER IDLE	1		
25	250063050000	BUSH I	1		
26	259023060000	SHAFT,KICK STARTER	1		
27	250023050000	PIN,KICK STARTER	1		
28	250023060000	SPRING,KICK STARTER	1		
29	250083050000	GASKET	1		
30	250073050000	BUSH,II	1		
31	150043060010	WASHRT	1		
32	150083070000	PIN	2		
33	140023140010	CHAIN	1		
34	B01070604564	BOLT M6X45	3		
35	150333060000	DENOTER	1		
36	169023060000	COVER,CRANKCASE,LEFT	1		
37	B01070603564	BOLT M6X35	5		
38	210013060010	GUIDE,CAM CHAIN ASSY.	1		
39	210033060010	GUIDE,CAM CHAIN I	1		
40	150053060010	PTOTECTION PLATE	1		
41	150012080000	BUSH,ENGINE MOUNTING	1		



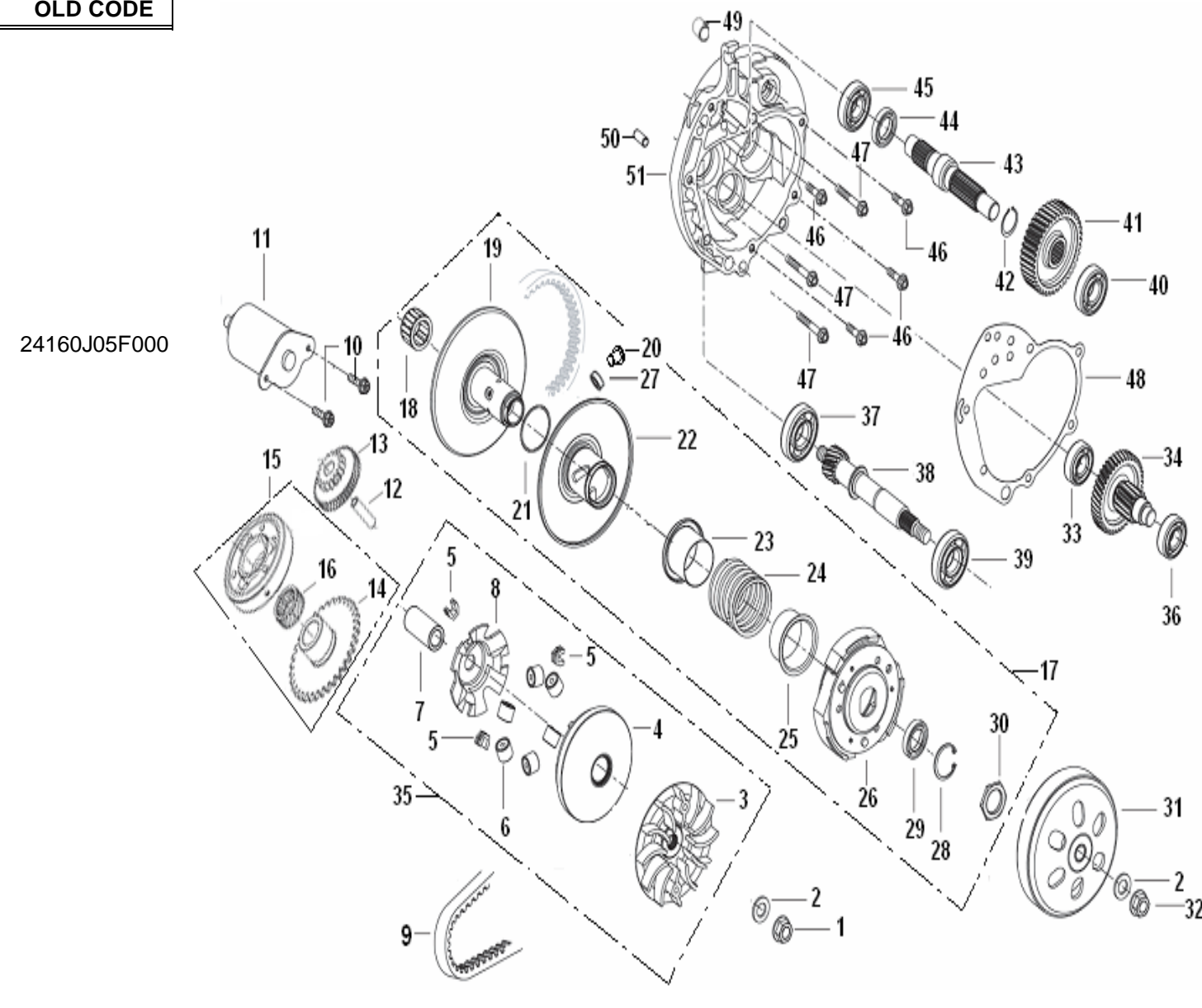
E02.COOLING FAN-MAGNETO

NO.	CODE	DESCRIPTION	QTY	NOTES	OLD CODE
1	270143060010	OIL WINDOW BLOCKING	2		
2	B01070602564	BOLT	2		
3	270133060010	CONVEYOR	1		
4	B01070601664	BOLT	4		
5	279023060000	FAN SET	1		
6	240013060010	NUT	1		
7	299023180000	FLY WHEEL SET	1		
8	B01070602564	BOLT M6x14	2		
9	299033180000	COIL SET	1		
10	B01090501264	BOLT M5x12	2		



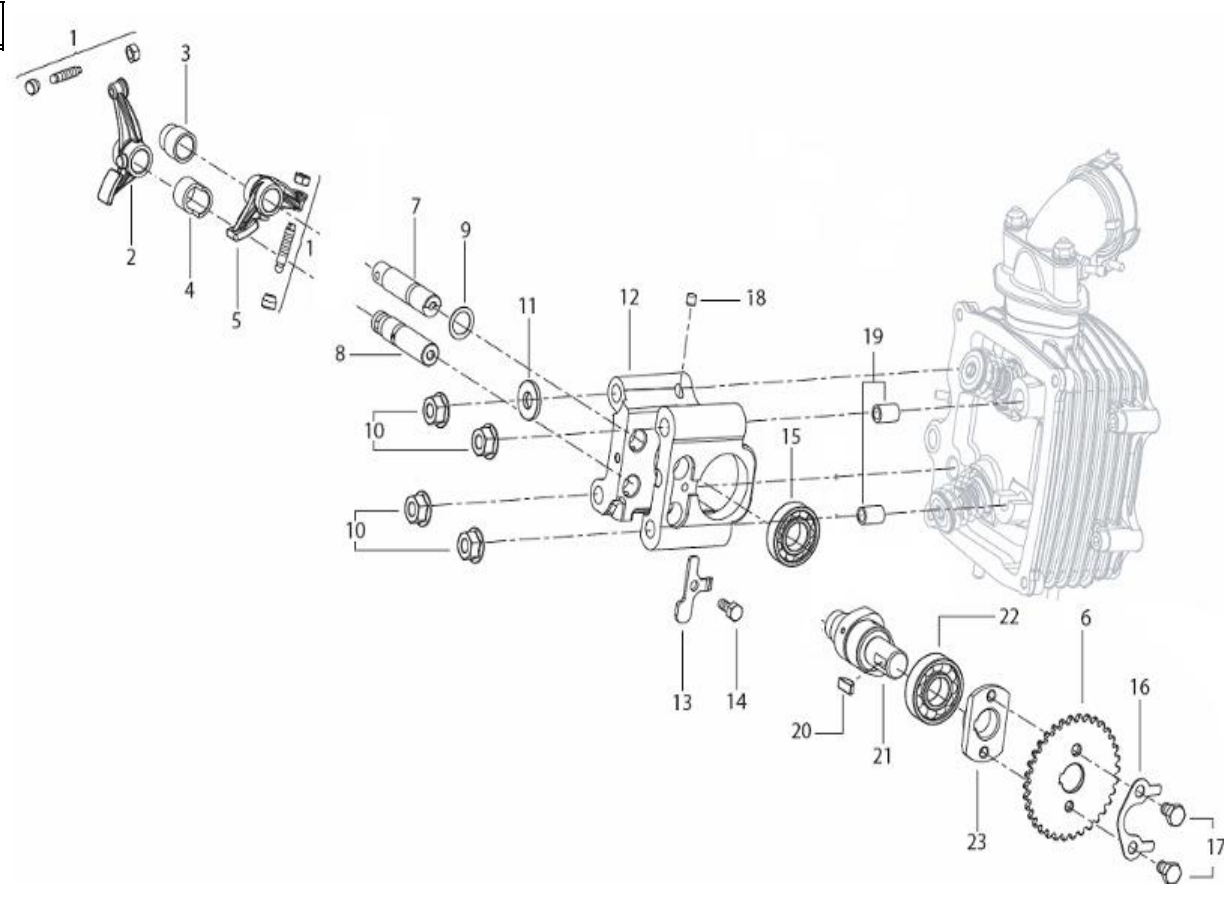
E03.TRANSMISSION ASSY

NO.	CODE	DESCRIPTION	QTY	NOTES	OLD CODE
1	270023050000	NUT M12X1.25	1		
2	25005305001X	GASKET,TAPER	2		
3	220033060000	PLATE	1		
4	220043060000	FACE, MOVABLE DRIVE	1		
5	220053060000	DAMPER	3		
6	200083060000	ROLLER	1		
7	220023060000	WASHER	1		
8	200023170000	FLANGE	1		
9	229023060010	CHAIN CAMSHAFT DRIVE	1		
10	B01070601864	BOLT M6X18	2		
11	249013060020	MOTOR ASSY,starting	1		
12	249053060000	SHAFT, STARTER IDLE GEAR	1		
13	249043060000	STARTER IDLE GEAR	1		
14	249073060000	GEAR COMP,starter clutch	1		
15	249003060000	CLUTCH ASSY	1		
16	200273050000	BEARING	1		
17	20900306002Z	DRIVEN PULLY ASSY	1		
18	B1212K201801	ROLLER BEARING	1		
19	200073060000	MAIN PLATE ASSY	1		
20	200083050000	WASHER,LOCATING	3		
21	200093050000	SEAL RING	2		
22	200333050000	GEAR PLATE	1		
23	200303050000	SPRING JACKET	1		
24	200133170000	SPRING	1		
25	200313050000	SPRING SEATING	1		
26	200343050000	DRIVING PLATE ASSY	1		
27	200063050000	BEARIG_LUBRICAT	3		
28	B0800002800	BLOCK RING 28	1		
29	B12016190201	ROLL BEARING	1		
30	200123050000	NUT	1		
31	200163050000	CLUTCH PLATE ASSY	1		
32	27003305001X	NUT M12X1.25	1		
33	B12016020101	BEARING E201	1		
34	220073060003	GEAR ASSY MIDDLE (42 TOOTH)	1		
35	20900306001Z	FRONT CLUTCH ASSY	1		
36	B12016020201	BEARING. MID	1		
37	B12016030102	BEARING E301	1		
38	229043060003	INPUT DRIVE SHAFT	1		
39	B12016E20400	BEARING. INPUT DRIVE SHAFT	1		
40	B12016020301	BEARING. OUTPUT DRIVE SHAFT	1		
41	229093060000	GEAR. OUTPUT DRIVE SHAFT	1		
42	B080100020A0	BLOCK RING 20	1		
43	229083060002	OUTPUT DRIVE SHAFT	1		
44	100033060000	OIL SEAL	1		
45	B12016000400	BEARING E160104	1		
46	B01070604564	SCREW M6X45	4		
47	B01070605564	SCREW M6X55	3		
48	100013060010	GASKET,GEAR CHAMBER COVER	1		
49	150013180000	LOCATING SLEVEE	1		
50	150023180000	LOCATING SLEVEE	1		
51	229103060000	GEAR CHAMBER COVER	1		



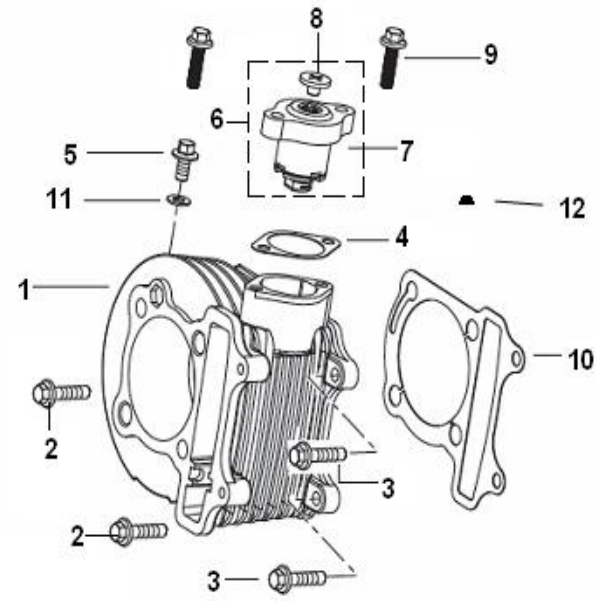
E04.CAMSHAFT ASSY

NO.	CODE	DESCRIPTION	QTY	NOTES	OLD CODE
1	120203140000	ADJUSTER ROD	2		
2	129143140000	OPENING ROCKER	1		
3	120143140000	LOWER BUSH	1		
4	120033140000	UPPER BUSH	1		
5	120053140000	CLOSING ROCKER	1		
6	129033140000	SPROCKET, CAMSHAFT TIMING	1		
7	129163140000	ROCKER	1		
8	129173140000	EXHAUST SHAFT-ROCKER	1		
9	120073140000	SHIM	1		
10	B04070800054	NUT	4		
11	B07030000803	WASHER	1		
12	129123140003	TIMING HOLDER	1		
13	120063140000	PLATE	1		
14	B01030501223	SCREW	1		
15	120183140000	BEARING	1		
16	120103140000	PLATE	1		
17	B01030600823	SCREW	2		
18	120013140000	PIN	3		
19	150093050000	BUSHING GUIDE	2		
20	120103050000	PIN	1		
21	129073140002	CAMSHAFT	1		
22	120213140003	BEARING	1		
23	120013180000	PLATE	1		



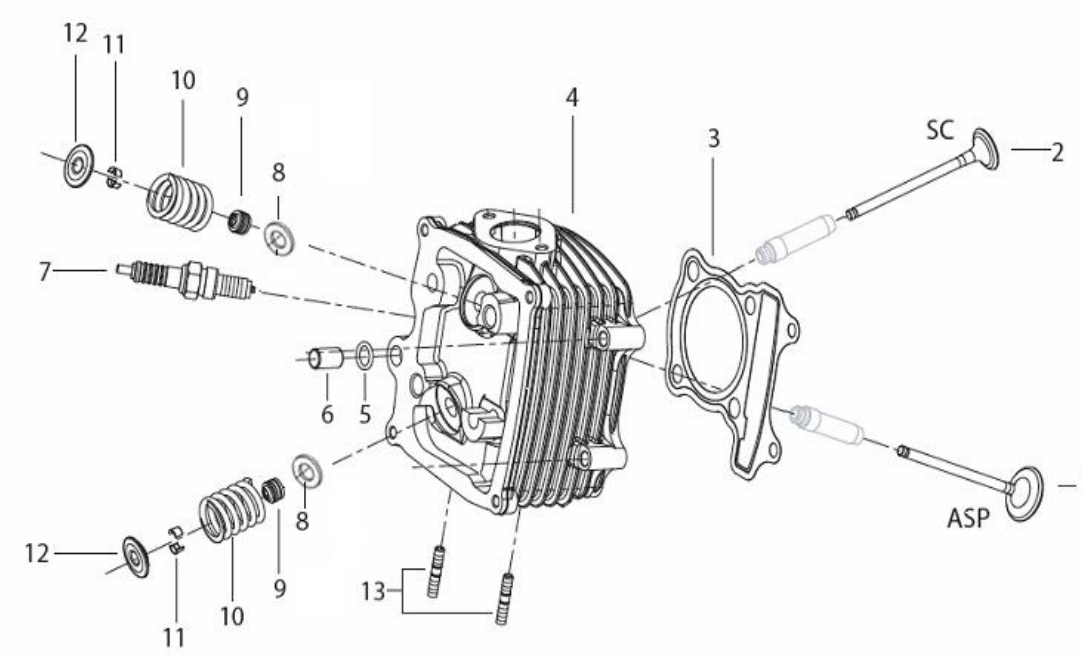
E05.CYLINDER-CHAIN ADJUSTER

NO.	CODE	DESCRIPTION	QTY	NOTES	OLD CODE
1	139014120000	CYLINDER BLOCK	1		
2	B02050603564	BOLT M6X35	2		
3	B02050602564	BOLT M6X25	2		
4	140013050030	WASHER, CHAIN ADJUSTER	1	140013050010	
5	B01070601264	BOLT	1		
6	149033140000	CHAIN ADJUSTER ASSY.	1	149003060000	
7	140043140000	CHAIN ADJUSTER	1		
8	14005305001X	SCREW	1		
9	B01070602264	BOLT M6X22	2		
10	139024020010	GASKET,CYLINDER	1		
11	130013050000	WASHER	1		
12	210043050000	O RING 9.5*1.5	1		



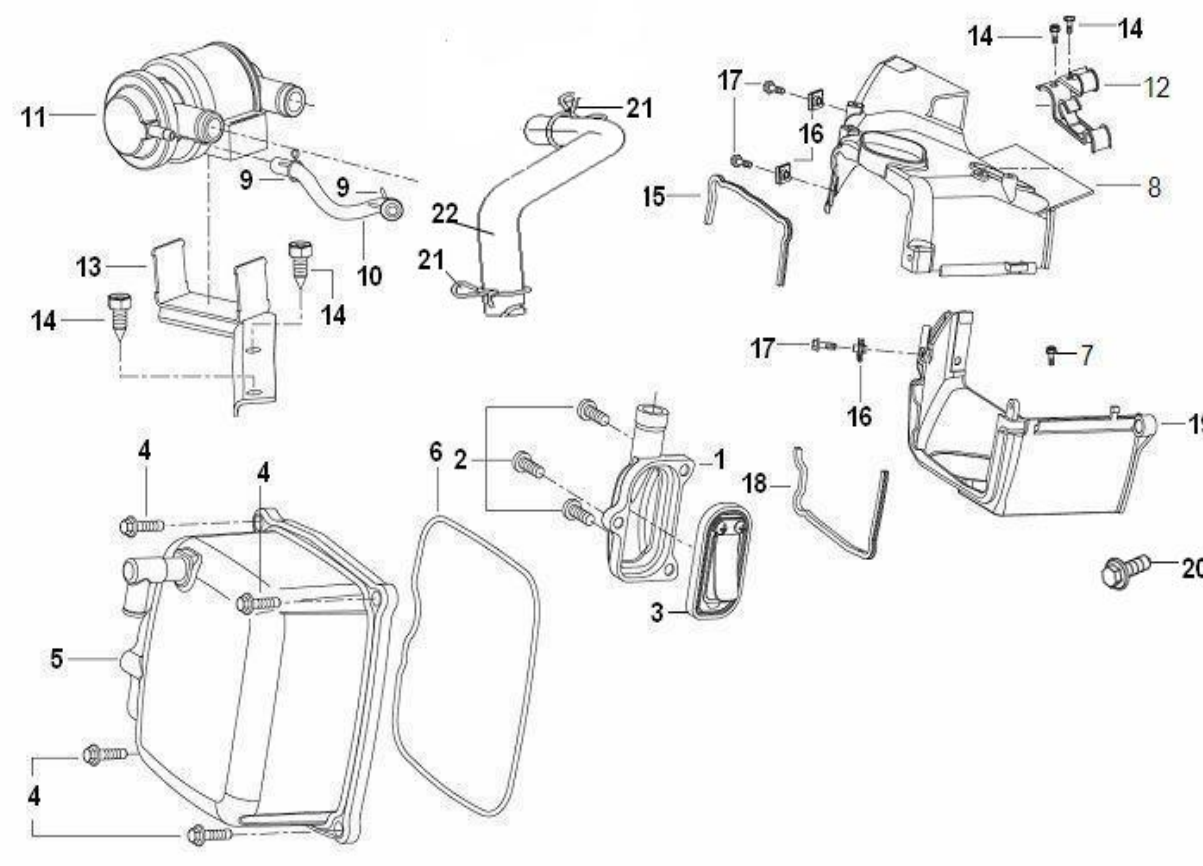
E06.CYLINDER HEAD ASSY

NO.	CODE	DESCRIPTION	QTY	NOTES	OLD CODE
1	129183140000	VALVE,INLET	1		
2	129193140000	VALVE,EXHAUST	1		
3	109074120000	GASKET,CYLINDER HEAD	1		
4	109053140010	CYLINDER	1	for NON-EEC market 109053140003	
5	100053070001	O RING	1		
6	150093050000	LOCATING PIN	1		
7	299073160000	SPARK PLUG	1		
8	121003140000	WASHER	2	129213140000	
9	120013050000	VALVE RETAINER ASSY, INLET	2		
10	129253140000	SPRING,VALVE	2		
11	129223240002	HALF CONE, VALVE	4		
12	120113140003	VALVE SPRING RETAINER,UPPER	2		
13	120073050000	DOUBLE END STUD,SHORT	2		



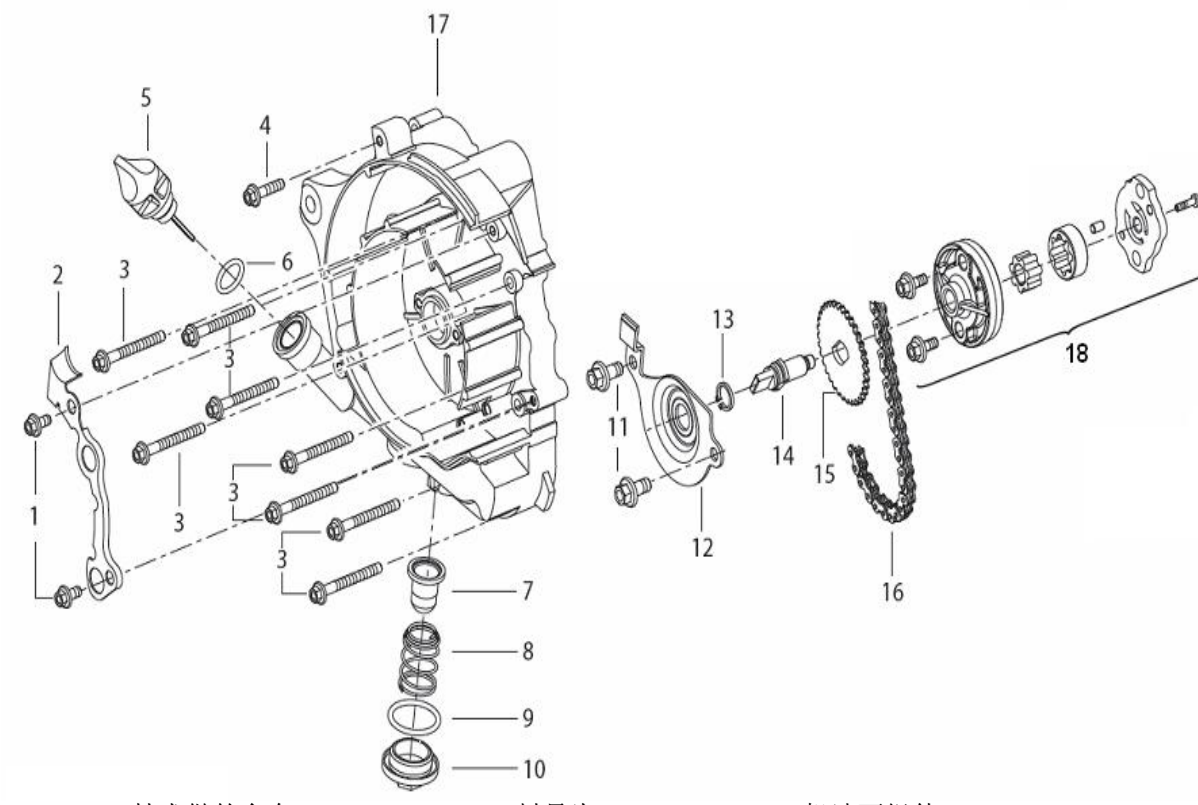
E07.CYLINDER HEAD-COOLING FAN COVER

NO.	CODE	DESCRIPTION	QTY	NOTES	OLD CODE
1	11010307001X	UNILATERALISM VALVE COVER	1		
2	B02040501423	SCREW	3		
3	119043070000	SPRING VALVE ASSY.	1		
4	B01070601864	BOLT M6x18	4		
5	109013140000	CYLINDER HEAD	1		
6	120043140003	RUBBER SEAL	1		
7	B05144801603	SCREW ST4.8x16	1		
8	270013180000	FAN SHROUD,UPPER	1		
9	110363070000	RING 2	2		
10	110353070000	TUBE	1		
11	110133070010	CUT-OFF VALVE ASSY.	1		
12	270013060020	CLIP	1		
13	350013180000	CUT-OFF VALVE PLATE	1		
14	270083060010	SCREW	3		
15	270033140003	SEAL SHROUD UPPER	1		
16	270023060000	FIXED CLIP	4		
17	B01070601664	BOLT M6x16	3		
18	270043140003	SEAL,SHOURD LOWER	1		
19	270023180000	FAN SHROUD,LOWER	1		
20	B01070602064	BOLT M6X20	1		
21	110343070000	RING 1	4		
22	350033180000	CONNECTION TUBE	1		



E08.OIL PUMP ASSY-RIGHT CRANKCASE COVER

NO.	CODE	DESCRIPTION	QTY	NOTES	OLD CODE
1	B01070601264	SCREW M6x12	2		
2	29001318001X	A.C.G CLAMP	1		
3	17001305002X	BOLT M6x100	8		
4	B01070603064	BOLT M6x30	1	B01070603063	
5	169183050002	OIL LOAD PLUG	1		
6	160063070000	O-RING	1		
7	150093070000	OIL FILTER	1		
8	160013050000	SPRING OIL FILTER	1		
9	160023050000	O-RING	1		
10	16004305002X	OIL PLUG	1		
11	B01070601264	BOLT M6x12	2		
12	15015306002X	FLANGE	1		
13	B08010001000	CHECK RING	1		
14	269083060000	OIL PUMP SHAFT	1		
15	269113060010	OIL PUMP SPROCKET	1	269113060000	
16	269053060000	OIL PUMP CHAIN	1		
17	169103060000	RH. CRANKCASE SET	1	169103180000	
18	269013180000	COMPLETE OIL PUMP	1	269013060000	

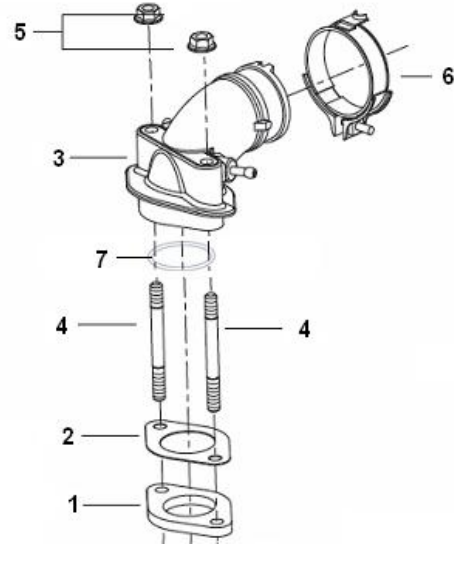


技术做的台套C2412004CR00, 料号为269013180000, 机油泵组件



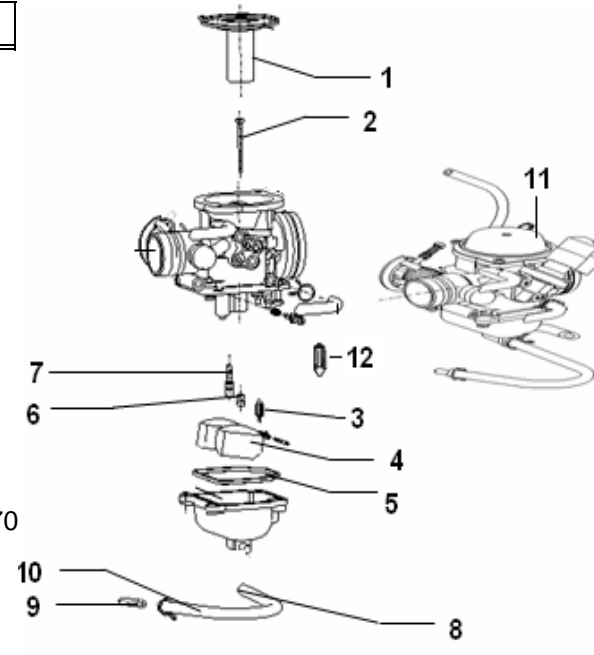
E09.INLET VALVE ASSY

NO.	CODE	DESCRIPTION	QTY	NOTES	OLD CODE
1	110033140000	HEAT INSULATION PAPER	1		
2	110023140000	HEAT INSULATION GASKET,CARBURETTOR	1		
3	119013140006	VALVE RETAINER ASSY, INLET	1	for EPA market	
4	B03000605063	BOLT M6X47	2		B03000604762
5	B04070600054	NUT M6	2		
6	11002305002X	CLAMP	1		
7	B190103000A	O RING 30*1.8	1		



E10.CARBURETOR ASSY (for EPA market)

NO.	CODE	DESCRIPTION	QTY	NOTES	OLD CODE
1	332211M000C	COLUMN ASSY	1	for EPA market	
2	332421M000C	NEEDLE, jet	1	for EPA market	
3	3342001K0000	NEEDLE VALVE ASSY	1	for EPA market	
4	3340101K0000	FLOAT	1	for EPA market	
5	3351401K0000	SEAL	1	for EPA market	
6	3310411M000C	JET, main 92.5#	1	for EPA market	
7	3312411M000C	JET, IDLE 42.5#	1	for EPA market	
8	3350401K0000	SPRING	1	for EPA market	
9	3350601K0000	STOPPER	1	for EPA market	
10	3351201K0000	RUBBER	1	for EPA market	
11	3390014M0071	CARBURETOR ASSY with waterproof	1	for EPA market	3390014M0070
12	3342009M000C	VALVE NEEDLE	1	for EPA market	



E11.PISTON CRANKCASE CONNECTING

NO.	CODE	DESCRIPTION	QTY	NOTES	OLD CODE
1	22006305001X	NUT,LOCK	1		
2	260013060000	WASHER	1		
3	269113060000	SPROKET,OIL PUMP DRIVE	1		
4	170043060000	KEY	1		
5	179014120000	PISTON ROD SET	1		
6	170133060000	BEARING	1		
7	12901306001X	SPROKET,CAM CHAIN	1		
8	249023060000	GEAR,STARTER DRIVEN	1		
9	179153070000	CLIP,PISTON PIN	2		
10	17001401000Z	PISTON RING SET.	1		
11	179134080000	PISTON	1		
12	179144010000	PIN,PISTON	1		

