

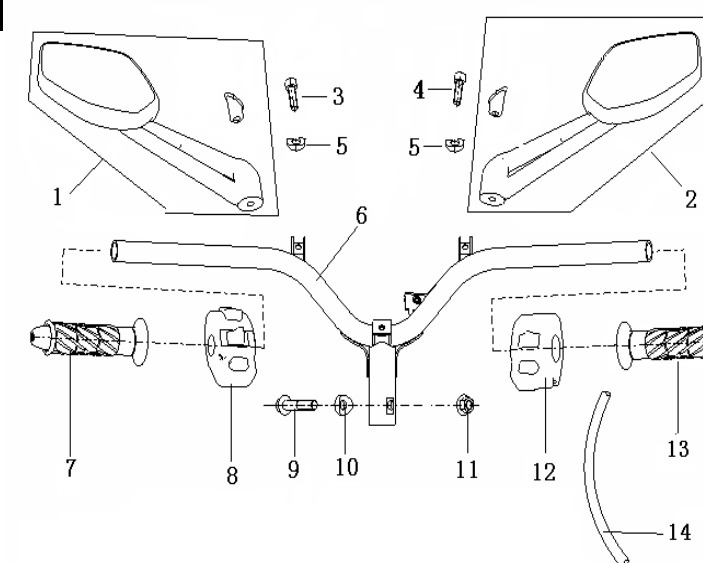
JCK(Q16-00)-QJ125T-4C-1A

JCK (Q17-00) -QJ125T-4C (非欧规)-1A

JCK(Q17-00)-QJ150T-12 (非欧规) -1A

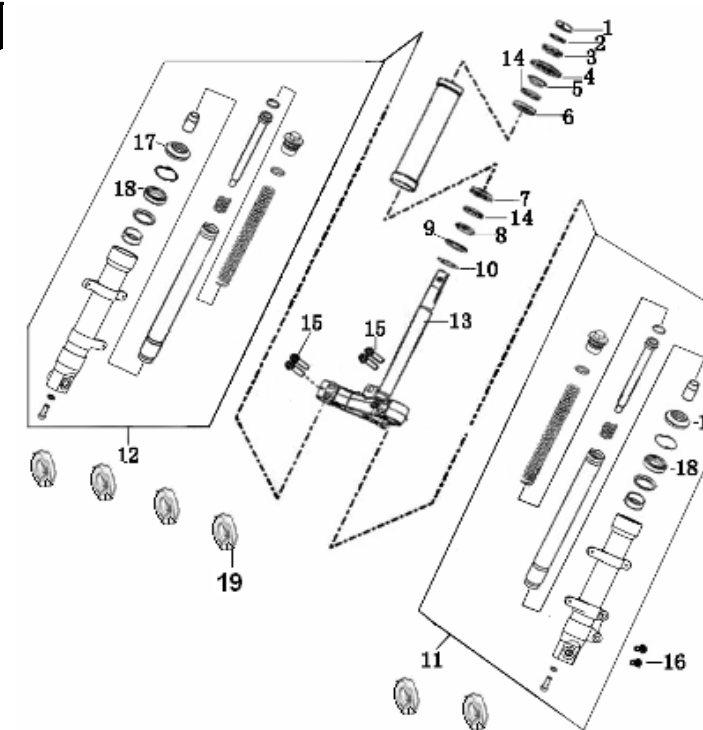
F01 CONTROL ASSY.

NO.	CODE	DESCRIPTION	QTY.	NOTES	OLD CODE
1	40460BPBY000	BACK MIRROR ASSY., LH.	1		
2	40470BPBY000	BACK MIRROR ASSY., RH.	1		
3	B02050802565	SCREW M8X25	1		
4	40186BNAT000	SCREW M8X25	1		
5	B07000000805	SPRING WASHER 8	2		
6	40100J4CT000	HANDLE BAR	1		
7	40001J4AT000	BACK MIRROR ASSY., LH.	1		
8	40500J4AT001	LEFT HANDLE SWITCH ,1 ASSY.	1		
9	B01591005065	FLANGE BOLT M10X1.25X50	1		
10	40113J4AT000	INSTALLER I	1		
11	B04171012555	NUT M10X1.25	1		
12	40600K590000	RIGHT HANDLE SWITCH, 2 ASSY.	1	used for 150cc	
13	40212J4AT000	GRIP ASSY., THROTTLE	1		
14	40300J4AT000	CABLE ASSY. THROTTLE	1		



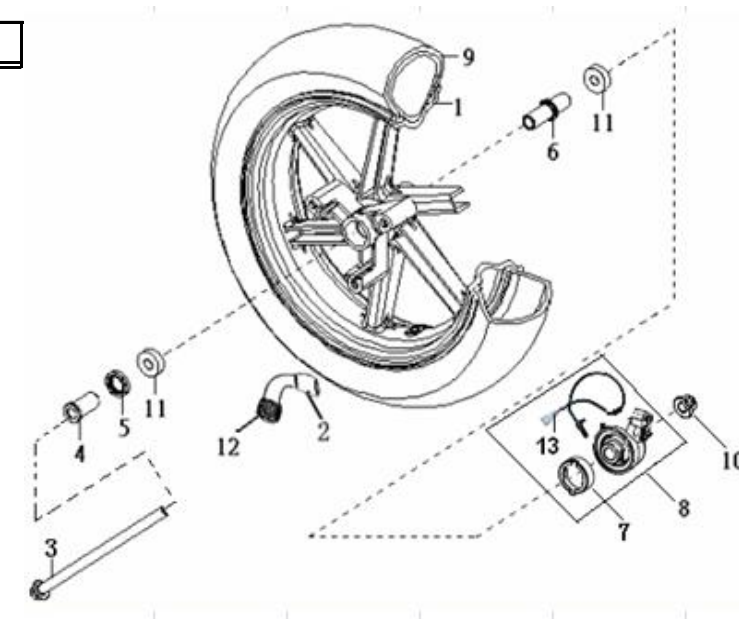
F02 FRONT FORK ASSY.

NO.	CODE	DESCRIPTION	QTY.	NOTES	OLD CODE
1	43008J4AT000	LOCK NUT	1		
2	43007J4AT000	STOPPER WASHER	1		
3	43017J4AT000	NUT	1		
4	43005J4AT000	DUST COVER	1		
5	43001J4AT000	RACE, STEERING OUTER, UPPER	1		
6	43002J4AT000	RACE, STEERING INNER, UPPER	1		
7	43003J4AT000	RACE, STEERING INNER, LOWER	1		
8	43004J4AT000	RACE, STEERING OUTER, LOWER	1		
9	43019J4AT000	RUBBER JOINT	1		
10	43018J4AT000	WASHER	1		
11	43200T420010	FRONT FORK ASSY.,L.(SILVER/BLACK CA/B5)	1		
12	43300T420010	FRONT FORK ASSY.,R.(SILVER/BLACK CA/B5)	1		
13	43100J4CT000	BRACKET ASSY., LOWER	1		
14	B06010200000	BALL, STEEL 1/4"	35		
15	B01071005065	BOLT M10x1.25x50	4		
16	B01090803065	BOLT M8x30	2		
17	43290K00P000	COVER, ANTI-DUST	2		
18	43260K00P000	OIL SEAL	2		



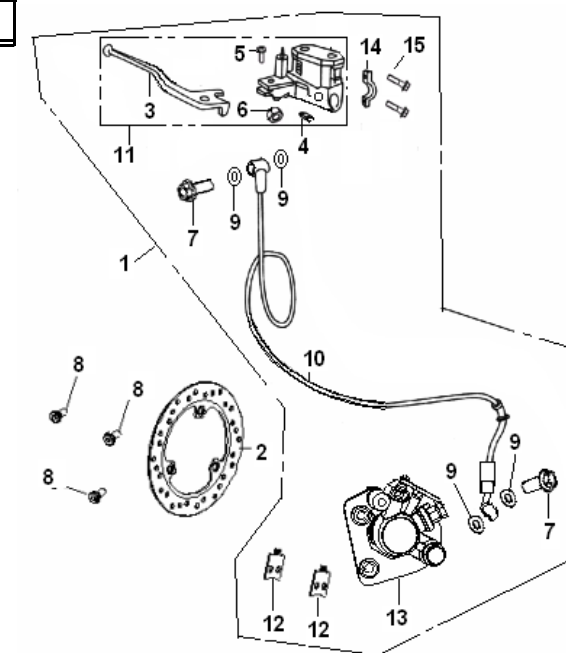
F03 FRONT WHEEL ASSY.

NO.	CODE	DESCRIPTION	QTY.	NOTES	OLD CODE
1	44101T09B500	RIM, FRONT WHEEL (BLACK B5)	1		
2	B1403Z201120	RIM VALVE	1		
3	44004J4AT001	AXLE, FRONT WHEEL	1		
4	44005J4AT000	SPACER, L.	1		
5	44300J4AT000	DUST SEAL	1		
6	44600J4AT000	SPACER, MID.	1		
7	44240J4AT000	DRIVE RING	1		
8	44200T42B500	GEAR SEAT ASSY.(BLACK B5)	1		
9	B140107D12A	TIRE (E-MARK) 120/70-12	1		
10	B04171212554	NUT M12x1.25	1		
11	B12016020100	BEARING 6201-2RS	2		
12	B1404Z2011C0	CAP. VALVE	1		
13	44272T420000	WIRE SIGNAL	1		



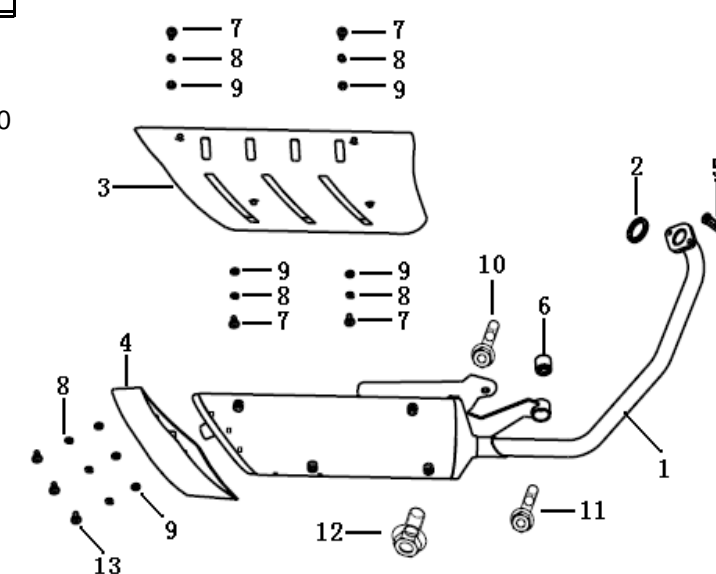
F04 FRONT DISK BRAKE ASSY.

NO.	CODE	DESCRIPTION	QTY.	NOTES	OLD CODE
1	45900T42B300	FRONT DISK BRAKE ASSY.(BLACK B3)	1		
2	45033T09B500	BRAKE DISK (BLACK B5)	1		
3	45022J4AT000	LEVER, FR. BRAKE	1		
4	45300J4AT000	SWITCH, BRAKE	1		
5	45024J1CT000	BOLT	1		
6	B04170600065	NUT M6	1		
7	45037J4AT000	BOLT	2		
8	45036J4AT000	BOLT	3		
9	45029J4AT000	WASHER	4		
10	45200J4CT000	HOSE ASSY, FR. BRAKE	1		
11	45400T420000	MASTER CYLINDER ASSY (FRONT)	1		
12	45120J4AT000	BRAKE PAD KIT	1 set	2pcs/set, order as per set	
13	45500T09B300	CALIPER ASSY. (BLACK B3)	1		
14	45023J4AT000	MASTER CYLINDER BRACKET	1		
15	B01070602365	BOLT M6x23	2		



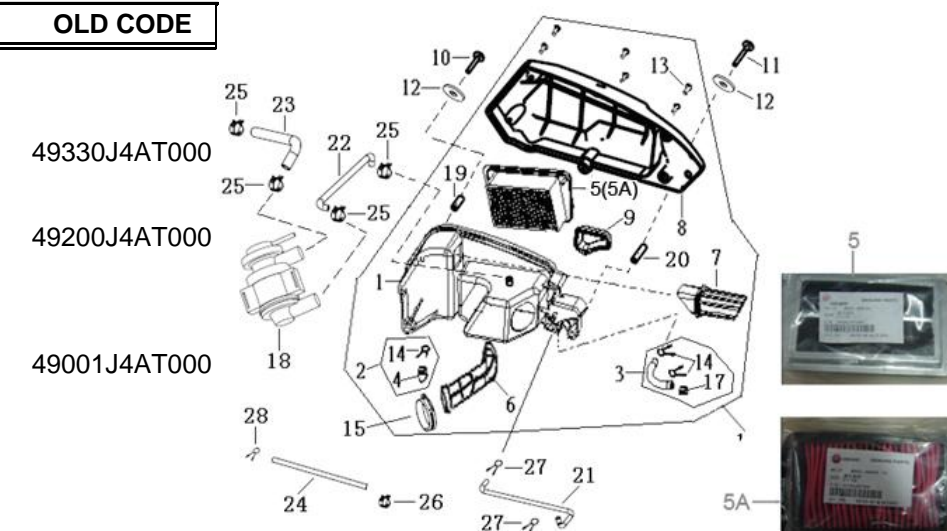
F05 MUFFLER ASSY.

NO.	CODE	DESCRIPTION	QTY.	NOTES	OLD CODE
1	47100K590000	MUFFLER COMP.	1	for 150cc in EPA market	
2	47800K00P000	GASKET	1		
3	47023T420001	DECORATION PLATE	1		47023J4CT000
4	47038J4CT000	REAR DECORATION PLATE	1		
5	47006J0ET000	NUT M6	2		
6	47740J0ET000	ORIENTATION ASSY.	1		
7	B0200060102A	SCREW M6x10	4		
8	B0700000060A	SPRING WASHER 6	7		
9	B0703000060A	WASHER 6	7		
10	B01090806065	BOLT M8x60	1		
11	B01090806565	BOLT M8x65	1		
12	B01591002065	BOLT M10x1.25x20	1		
13	B0200060122A	SCREW M6x12	3		



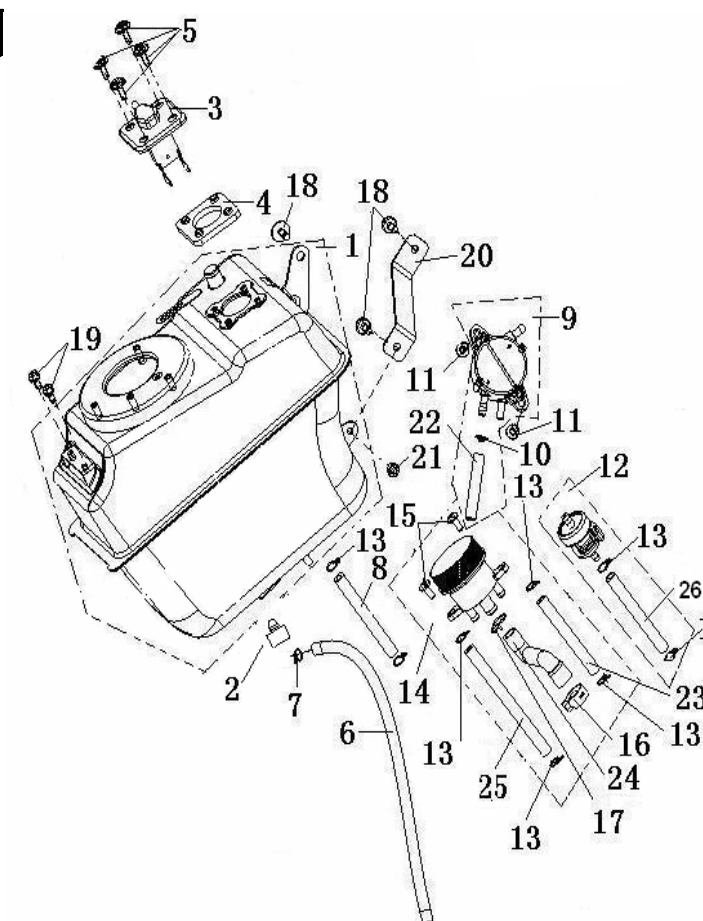
F06 AIR CLEANER ASSY.

NO.	CODE	DESCRIPTION	QTY.	NOTES	OLD CODE
1	49100J4CT000	BASE ASSY., AIR CLEANER	1		
2	49020J4AT000	DUST COVER ASSY.	1		
3	49930T420000	HOSE ASSY., OIL DRAIN	1		
4	49006J4AT000	DUST COVER	1		
5A	49200T090000	FILTER	1		
6	49005JS0T000	PIPE, AIR OUT	1		
7	49002J4AT000	HOSE, AIR IN	1		
8	49001T420000	UPPER CASE, AIR CLEANER	1		
9	49003J4AT000	UPPER CASE, OIL GATHER	1		
10	B02000604025	SCREW M6x40	1		
11	B02000605025	SCREW M6x50	1		
12	B07020000605	WASHER 6	2		
13	B05075502005	TAPPING SCREW ST5.5x20	6		
14	49016J4AT000	CLIP	3		
15	49350JS0T000	CLAMP	1		
16	49000J4CT000	AIR CLEANER ASSY.	1		
17	49607J4AT000	PLUG	1		
18	49810J00P000	CUT-OFF VALVE BODY ASSY.	1		
19	49107J4CT000	LINING I	1		
20	49108J4CT000	LINING II	1		
21	49025J4CT000	EXHAUST GAS HOSE	1		
22	49801J4CT000	CONNECT HOSE OF CUT-OFF VALVE AND AIR CLEANER	1		
23	49802J4CT000	CONNECT HOSE OF CUT-OFF VALVE AND UNILATERAL VALVE	1		
24	B16010422601	HOSE φ4×2×260	1		B16010B22501
25	49016J00P000	BOARD HOOP φ18.5	4		
26	49017J00P000	BOARD HOOP φ7.5	1		
27	B17010125003	STEEL WIRE HOOP φ12.5	2		
28	B17010070003	STEEL WIRE HOOP φ7	1		



F07.2 FUEL TANK ASSY.(for 150cc)

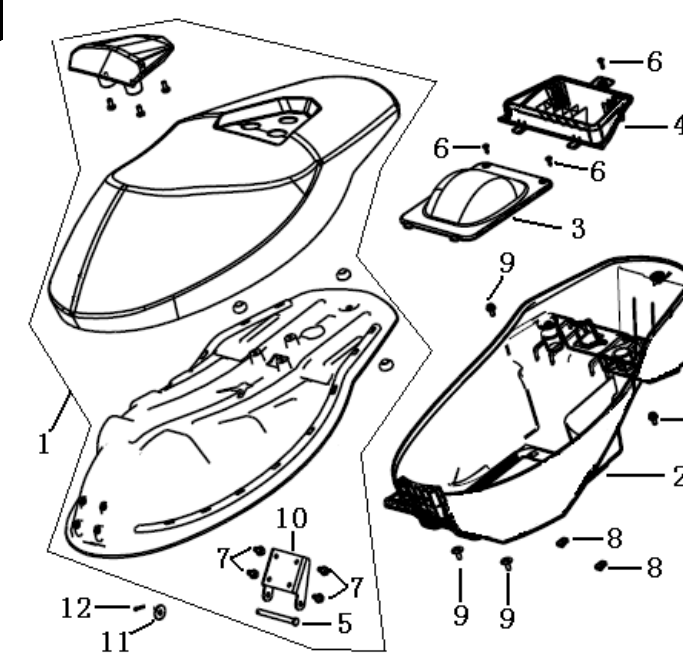
NO.	CODE	DESCRIPTION	QTY.	NOTES	OLD CODE
1	50100T420001	body ASSY., fuel tank	1	for 150cc	
2	47026J000000	mounting pad, fuel tank	1	for 150cc	
3	50800T420001	fuel sensor ASSY.	1	for 150cc	
4	50004BM0T000	rubber pad, sensor, oil level indicator	1	for 150cc	
5	08011B920009	SCREW W/WASHER M5X15	4	for 150cc	
6	B16010633001	drain pipe $\Phi 6 \times 3 \times 300$	1	for 150cc	
7	B17010100003	clip $\phi 10$	1	for 150cc	
8	50301T420001	oil tube $\Phi 5 \times 2.5 \times 400$	1	for 150cc	
9	50850B410001	oil pump ASSY.	1	for 150cc	
10	B17010085003	clip $\phi 8.5$	1	for 150cc	
11	B13060601605	BOLT M6x16	2	for 150cc	
12	50340J0ET000	filter ASSY.	1	for 150cc	
13	B17010090003	clip $\phi 9$	7	for 150cc	
14	50050JS0T001	OIL CUP ASSY.	1	for 150cc	
15	B02060501225	screw M5X12	2	for 150cc	
16	49016J00P000	clip $\phi 18.5$	1	for 150cc	
17	B17010150003	clip $\phi 15$	1	for 150cc	
18	B01090601265	bolt M6x12	3	for 150cc	
19	B01090501065	bolt M5x10	2	for 150cc	
20	50160T420001	joint plate	1	for 150cc	
21	B04000600055	nut M6	1	for 150cc	
22	B16010422501	oil tube $\Phi 4 \times 2 \times 250$	1	for 150cc	
23	50302T420001	oil tube $\Phi 5 \times 2.5 \times 55$	1	for 150cc	
24	50305T420001	vacuum tube	1	for 150cc	
25	50304T420001	oil tube $\Phi 5 \times 2.5 \times 600$	1	for 150cc	
26	50303T420001	oil tube $\Phi 5 \times 2.5 \times 820$	1	for 150cc	



F08 SEAT ASSY.

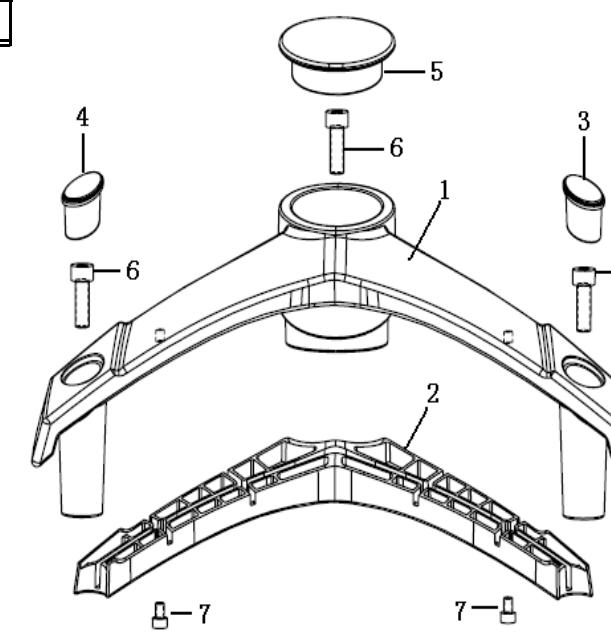
NO.	CODE	DESCRIPTION	QTY.	NOTES	OLD CODE
1	51100J4CT000	SEAT ASSY.	1		
2	51004J4CT000	HELMET BOX	1		
3	51005J4CT000	BOTTOM CAP, HELMET BOX	1		
4	65813J4CT000	CAP, ACCUMULATOR BOX	1		
5	51001J4CT000	SHAFT, SEAT FITTING	1		
6	B05074201305	TAPPING SCREW ST4.2x16	3		
7	B01020601663	BOLT M6x16	4		
8	65801J0ET001	CLIP, SCREW ST4.2	2		
9	08001N0GT000	SCREW	4		
10	51003J4CT000	INSTALL BOARD, SEAT	1		
11	B07030000803	WASHER 8	1		
12	B090002018A3	PIN 2x18	1		

B01020601265



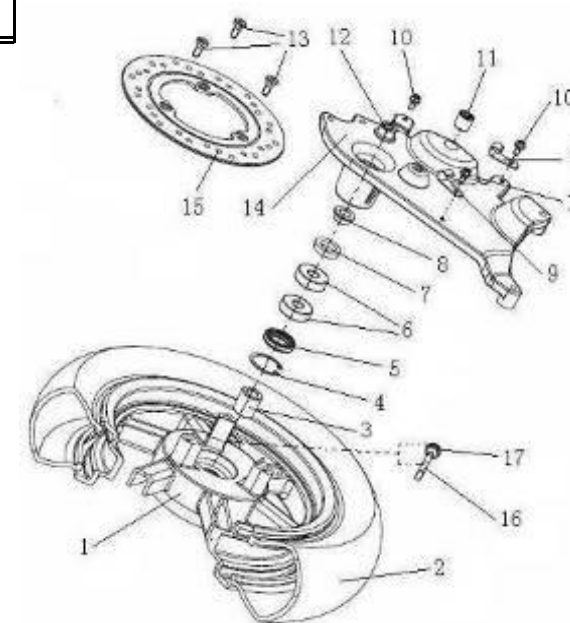
F09 REAR HANDLE ASSY.

NO.	CODE	DESCRIPTION	QTY.	NOTES	OLD CODE
1	52011T42HZ00	REAR HANDLE (GREY HZ)	1		
2	52016J4CT000	CAP, REAR HANDLE	1		
3	52017J4CT000	WATERPROOF CAP I	1		
4	52018J4CT000	WATERPROOF CAP II	1		
5	52019J4CT000	WATERPROOF CAP III	1		
6	B02050803065	SCREW M8x30	3		
7	B02050500865	SCREW M5x8	2		



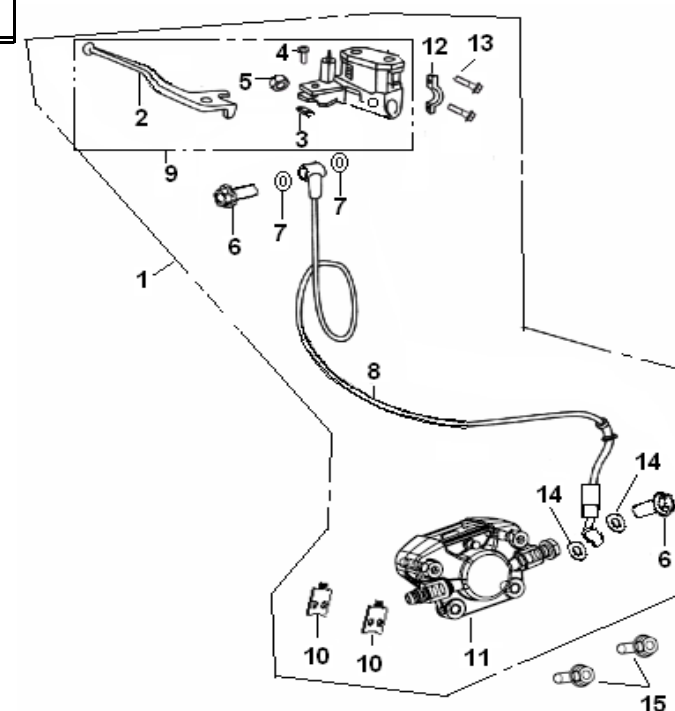
F10 REAR WHEEL ASSY.

NO.	CODE	DESCRIPTION	QTY.	NOTES	OLD CODE
1	54100T42B500	RIM ASSY., RR. WHEEL (BLACK)	1		
2	B140107D12A	TIRE (E-MARK) 120/70-12	1		
3	54016J4CT000	SPACER, L.	1		
4	B080000042A1	CIRCLIP 42	1		
5	44300N30P000	DUST SEAL	1		
6	B12016030200	BEARING 6302-2RS	2		
7	44300BM0T000	OIL SEAL 22x35x7	1		
8	54005J4CT000	SPACER, R.	1		
9	54035J4CT000	BACK FIXUP NIP	2		
10	B01090601265	BOLT M6X12	3		
11	58340G00S000	SPACER	1		
12	B04171415055	NUT M14X1.5	1		
13	45036J4AT000	BOLT	3		
14	54611J4CT000	BRACKET	1		
15	55033T42B500	BRAKE DISK (BLACK)	1		
16	B1403Z201120	RIM VALVE	1		
17	B1404Z2011C0	CAP, VALVE	1		



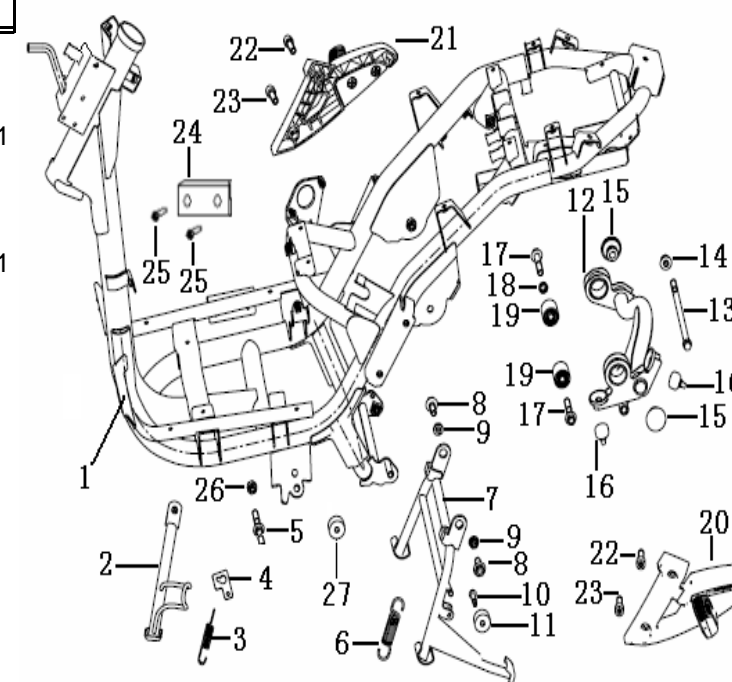
F11 REAR DISK BRAKE ASSY.

NO.	CODE	DESCRIPTION	QTY.	NOTES	OLD CODE
1	55900T42B300	REAR DISC BRAKE ASSY.(BLACK B3)	1		
2	55022J4CT000	LEVER, REAR BRAKE	1		
3	55300J4AT000	SWITCH, BRAKE	1		
4	55024J4AT000	SCREW	1		
5	B04170600065	NUT M6	1		
6	45037J00P000	BOLT	2		
7	45029J00P000	WASHER	2		
8	55200J4CT000	HOSE ASSY, FR. BRAKE	1		
9	55400T420000	MASTER CYLINDER ASSY (REAR)	1		
10	45120B0KT000	BRAKE SHOE ASSY.	1 set		
11	55500T42B300	CALIPER ASSY. (BLACK B3)	1		
12	45023J1DT000	MASTER CYLINDER BRACKET	1		
13	B01070602365	BOLT M6x23	2		
14	45029B0KT000	WASHER	2		
15	B01090802565	BOLT M8x25	2		



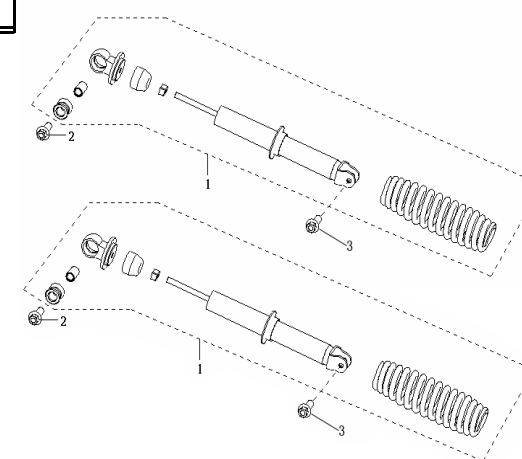
F12 FRAME ASSY.

NO.	CODE	DESCRIPTION	QTY.	NOTES	OLD CODE
1	57100J4CT000	FRAME BODY COMP.	1	for EEC & EPA market	
2	58700J4CT000	SIDE STAND COMP.	1		
3	58502K010050	SPRING, MAIN STAND for side stand comp	1	for EPA & NON-EEC market	57010B910001
4	57006BM0T000	HOOK	1		
5	57005T430000	BOLT, SIDE STAND	1	for NON EEC & EPA	
6	57010T090001	SPRING, MAIN STAND	1		57003J4AT001
7	58520J4CT000	MAIN STAND COMP.	1		
8	B01591002565	BOLT M10x1.25x25	2		
9	58509J0ET001	BUSH	2		
10	08018JV0T000	BOLT	1		
11	58507J3FT000	CUSHION GUM	1		
12	58320J4CT000	HOLDER COMP., ENGINE	1		
13	58301J0ET000	SHAFT, ENGINE BRACKET	1		
14	B04171012555	NUT M10x1.25	1		
15	58308J3AT001	DUST COVER	2		
16	58302J0ET000	RUBBER, ENGINE BRACKET	2		
17	B01591005065	BOLT M10x1.25x50	2		
18	58350J4AT000	COLLAR	1		
19	58340J4AT000	BUSH, ENGINE BRACKET	2		
20	58290T42HZ00	PEDAL ASSY., L.(GREY HZ)	1		
21	58280T42HZ00	PEDAL ASSY., R.(GREY HZ)	1		
22	B02051002565	SCREW M10x25	2		
23	B02051003065	SCREW M10x30	2		
24	57001K590000	FRAME PLATE	1	for 150cc in EPA market	
25	B10043200700	RIVET 3.2x7	2		
26	B04020800015	NUT M8	1		
27	57215N30T000	CUSHION GUM	1		



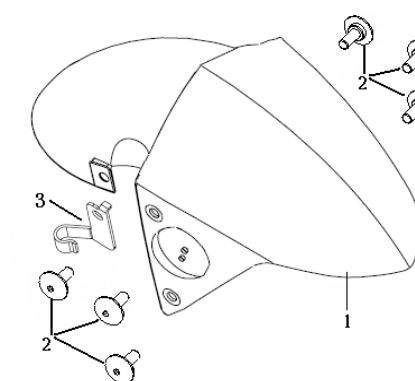
F13 REAR ABSORBER ASSY.

NO.	CODE	DESCRIPTION	QTY.	NOTES	OLD CODE
1	63800T42B500	REAR SHOCK ABSORBER COMP. (BLACK B5)	2	for blue E6,black B5,silver CN vehicle	
2	B01591004065	BOLT M10x1.25x40	2		
3	B01090803065	BOLT M8x30	2		



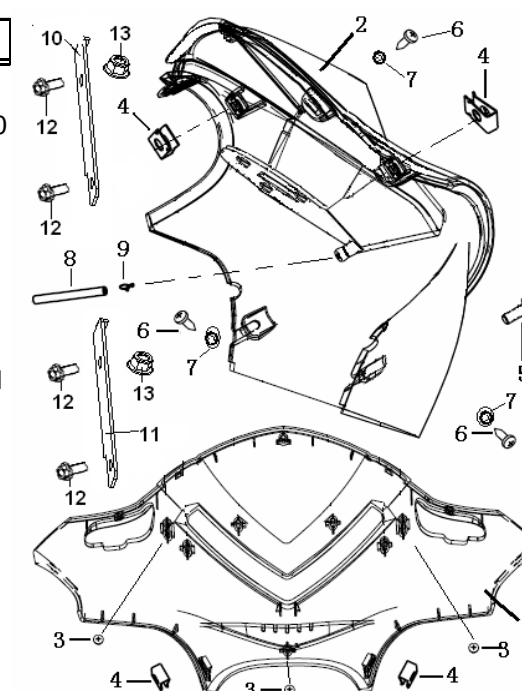
F14 FRONT FENDER

NO.	CODE	DESCRIPTION	QTY.	NOTES	OLD CODE
1	65101T42E600	FRONT FENDER (BLUE E6)	1	for BLUE E6 vehicle	
1	65101T42CN00	FRONT FENDER (SILVER CN)	1	for SILVER CN vehicle	
2	08001N0GT000	SCREW	6		
3	65116J4CT000	ODOMETER LINE NIP	1		



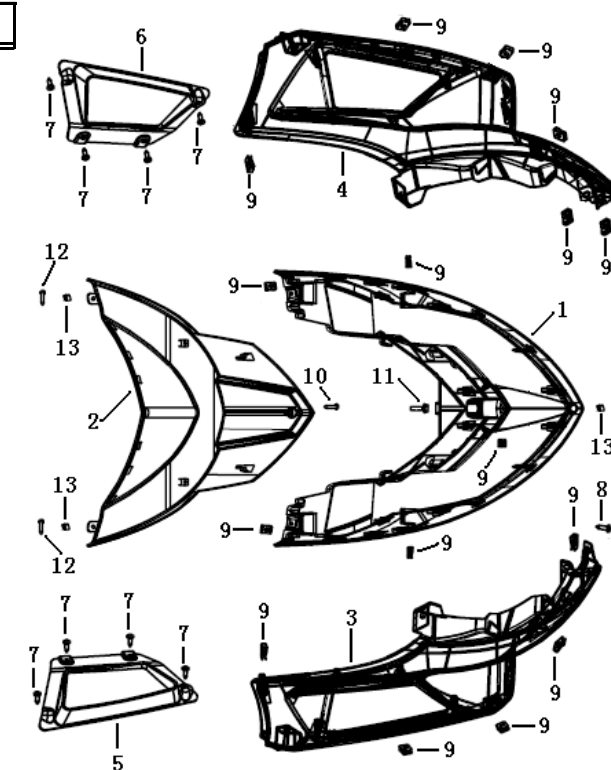
F15 HANDLE COVER

NO.	CODE	DESCRIPTION	QTY.	NOTES	OLD CODE
1	65201K590000	HANDLE COVER, FRONT(BLACK)	1	used for 150cc	
2	65202T42B500	HANDLE COVER, REAR(BLACK B5)	1		65202J4CT000
3	B05074201305	TAPPING SCREW ST4.2x13	3		
4	65801J0ET001	CLIP, SCREW ST4.2	4		
5	B13010501205	SCREW M5x12	1		
6	B05004201305	TAPPING SCREW ST4.2x13	3		
7	B07030000405	WASHER 4	3		
8	B16010622301	DRAIN HOSE II φ6x2x230	1		B16010621901
9	B17010100003	STEEL WIRE HOOP φ10	1		
10	65221K590000	mounting plate, indicator lightL.fr	1	only for EPA	
11	65222K590000	mounting plate, indicator lightL.fr	1	only for EPA	
12	B01090601265	BOLT M6x12	4	only for EPA	
13	B04170600065	NUT M6	2	only for EPA	



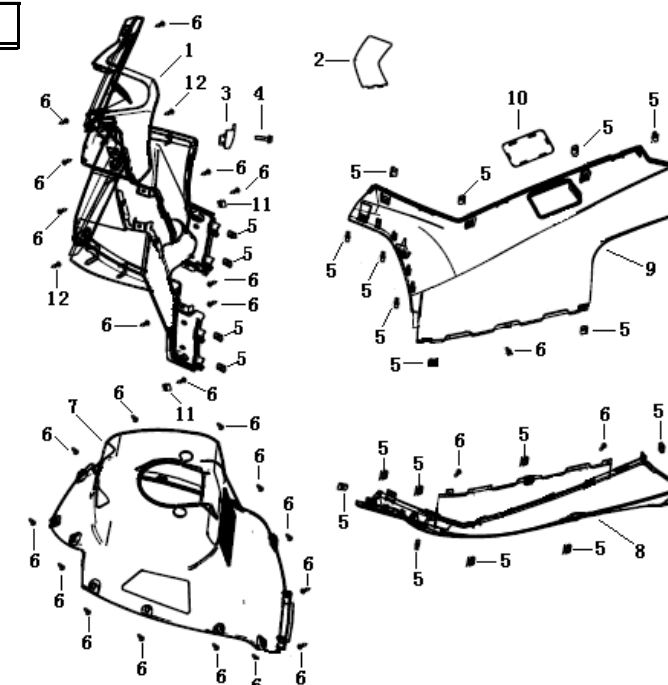
F16 FRONT COVER

NO.	CODE	DESCRIPTION	QTY.	NOTES	OLD CODE
1	65302T42E600	FRONT COVER (BLUE E6)	1	for BLUE E6 vehicle & white/blue WF/E6 vehicle	
1	65302T42CN00	FRONT COVER (SILVER CN)	1	for SILVER CN vehicle	
2	65301T42B500	CAP, FRONT COVER (BLACK B5)	1	for E6, B5, CN vehicle	
3	65316T42E600	COUPLING COVER, L. (BLUE E6)	1	for BLUE E6 vehicle & white/blue WF/E6 vehicle	
3	65316T42CN00	COUPLING COVER, L. (SILVER CN)	1	for SILVER CN vehicle	
4	65317T42E600	COUPLING COVER, R. (BLUE E6)	1	for BLUE E6 vehicle & white/blue WF/E6 vehicle	
4	65317T42CN00	COUPLING COVER, R. (SILVER CN)	1	for SILVER CN vehicle	
5	65307J4CT000	CAP, COUPLING COVER, L.	1		
6	65308J4CT000	CAP, COUPLING COVER, R.	1		
7	B05074201305	TAPPING SCREW ST4.2x13	8		
8	B05074201605	TAPPING SCREW ST4.2x16	10		
9	65801J0ET001	CLIP, SCREW ST4.2	16		
10	B05074201905	TAPPING SCREW ST4.2x19	1		
11	B01090601065	BOLT M6x10	1		
12	B05004201605	TAPPING SCREW ST4.2x16	3		
13	B07030000405	WASHER 4	3		



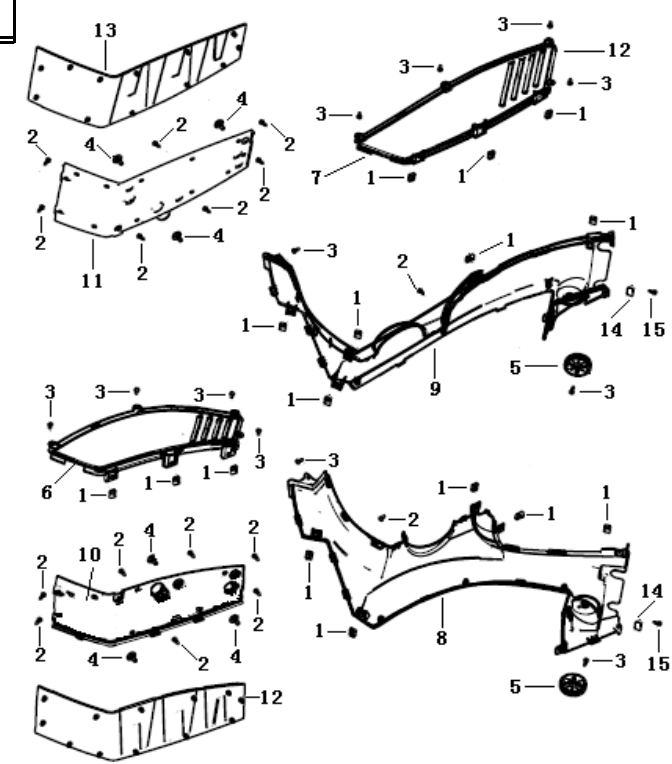
F17 LEG SHIELD

NO.	CODE	DESCRIPTION	QTY.	NOTES	OLD CODE
1	65402J4CT000	LEG SHIELD	1		
2	65435J4CT000	NECK CAP	1		
3	65421J4CT000	HOOK, HELMET	1		
4	B01090602565	BOLT M6x25	1		
5	65801J0ET001	CLIP, SCREW ST4.2	21		
6	B05074201605	TAPPING SCREW ST4.2x16	26		
7	65106J4CT000	FRONT INSIDE FENDER	1		
8	65406J4CT000	BOTTOM COVER, L.	1		
9	65407J4CT000	BOTTOM COVER, R.	1		
10	65403J4CT000	INSPECTION COVER, FRAME NO.	1		
11	B07020000405	WASHER 4	2		
12	B05074201905	TAPPING SCREW ST4.2x19	2		



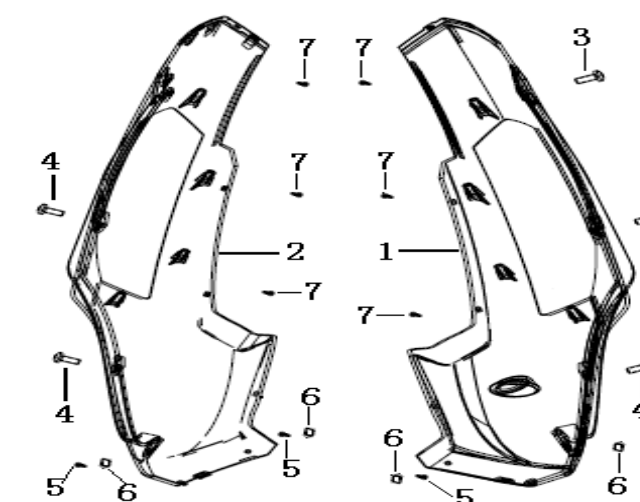
F18 LEG SHIELD

NO.	CODE	DESCRIPTION	QTY.	NOTES	OLD CODE
1	65801J0ET001	CLIP, SCREW ST4.2	16		
2	B05074201605	TAPPING SCREW ST4.2x16	16		
3	B05074201305	TAPPING SCREW ST4.2x13	12		
4	B13060601605	SCREW M6x16	6		
5	65434J4CT000	DECORATE CAP (GREY)	2		
6	65461J4CT000	SIDE COVER, OIL BOX, L.	1		
7	65462J4CT000	SIDE COVER, OIL BOX, R.	1		
8	65463T42HZ00	UPSIDE COVER, OIL BOX, L. (GREY HZ)	1		
9	65464T42HZ00	UPSIDE COVER, OIL BOX, R. (GREY HZ)	1		
10	65401J4CT000	FOOTREST, L.	1		
11	65405J4CT000	FOOTREST, R.	1		
12	65413J4CT000	FOOTREST RUBBER, L.	1		
13	65414J4CT000	FOOTREST RUBBER, R.	1		
14	B07030000405	WASHER 4	2		
15	B05004201605	TAPPING SCREW ST4.2x16	2		



F19 FRAME COVER

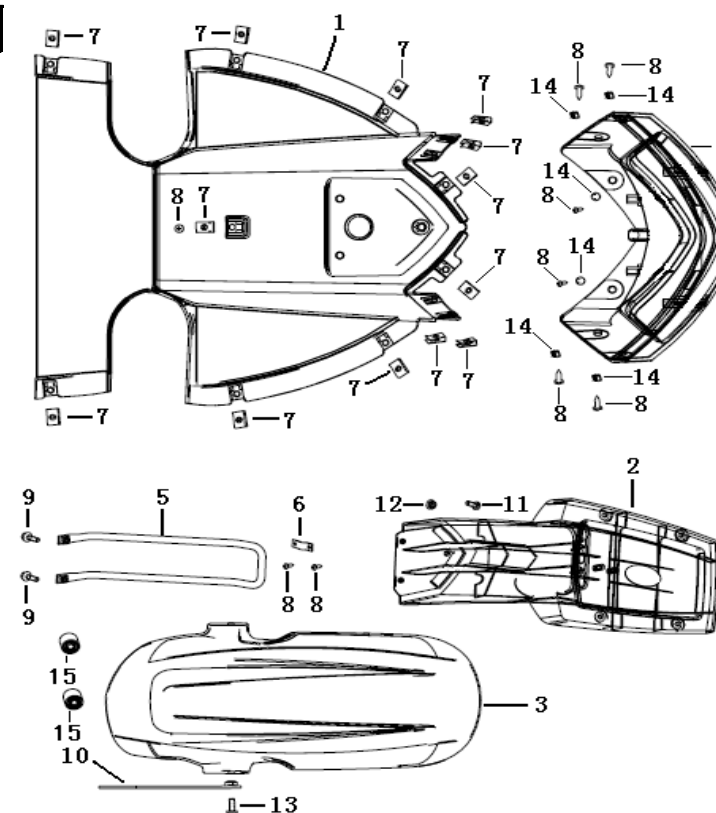
NO.	CODE	DESCRIPTION	QTY.	NOTES	OLD CODE
1	65601T42E600	SIDE COVER, L.(BLUE E6)	1	for BLUE E6 vehicle	
1	65601T42CN00	SIDE COVER, L.(SILVER CN)	1	for SILVER CN vehicle	
2	65602T42E600	SIDE COVER, R.(BLUE E6)	1	for BLUE E6 vehicle	
2	65602T42CN00	SIDE COVER, R.(SILVER CN)	1	for SILVER CN vehicle	
3	B02060601625	SCREW M6x16	1		
4	B13010501205	SCREW M5x12	4		
5	B05004201605	TAPPING SCREW ST4.2x16	4		
6	B07030000405	WASHER 4	4		
7	B05074201605	TAPPING SCREW ST4.2x16	6		



F20 REAR FENDER

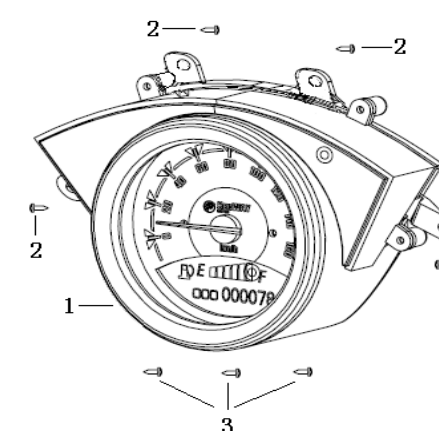
NO.	CODE	DESCRIPTION	QTY.	NOTES	OLD CODE
1	65709T42B500	REAR BOTTOM LINK COVER(BLACK)	1		
2	65701K590000	REAR FENDER	1	used for 150cc	
3	65761J4CT000	REAR LOWER FENDER	1		
4	82012T42HZ00	TAILLIGHT CASE(GREY HZ)	1		
5	65720J4CT000	REAR FENDER BRACKET	1		
6	65717J4CT000	LIMITING BOARD	1		
7	65801J0ET001	CLIP, SCREW ST4.2	13		
8	B05004201305	TAPPING SCREW ST4.2x13	9		
9	B01090603065	BOLT M6x30	2		
10	65770J4CT000	REAR LOWER FENDER BRACKET ASSY.	1		
11	B01090601665	BOLT M6x16	1		
12	B04000600055	NUT M6	1		
13	B02060601225	SCREW M6x12	1		
14	B07030000405	WASHER 4	6		
15	65517N30T000	BUSH	2		

B01090602065



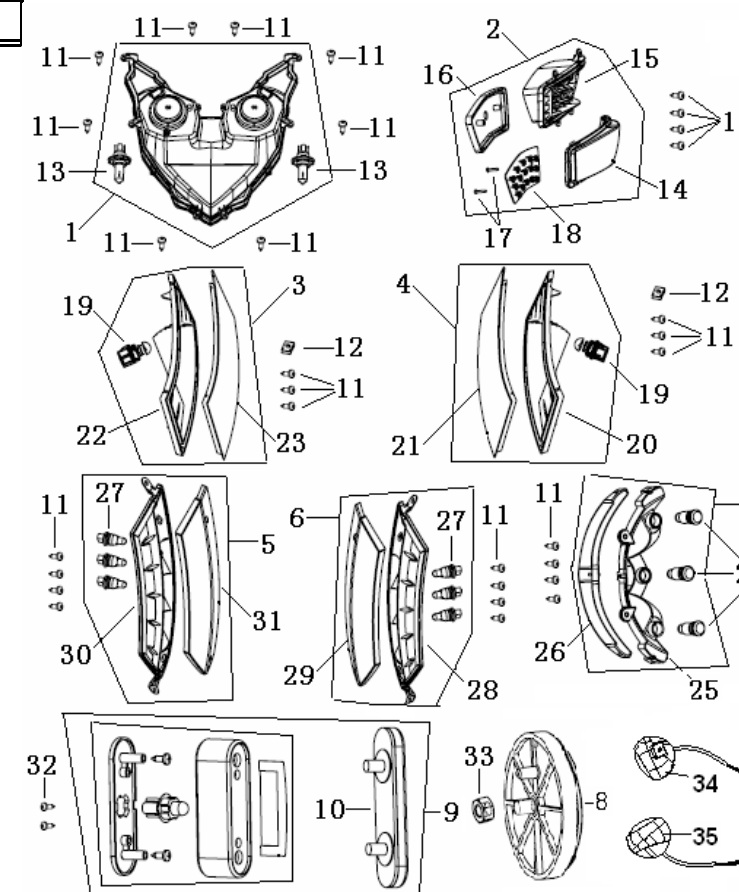
F21 SPEEDOMETER ASSY.

NO.	CODE	DESCRIPTION	QTY.	NOTES	OLD CODE
1	70000K59HZ00	SPEEDOMETER ASSY.(GREY)	1	for 150cc in EPA market	
2	B05074201305	TAPPING SCREW ST4.2x13	4		
3	B05074201605	TAPPING SCREW ST4.2x16	3		



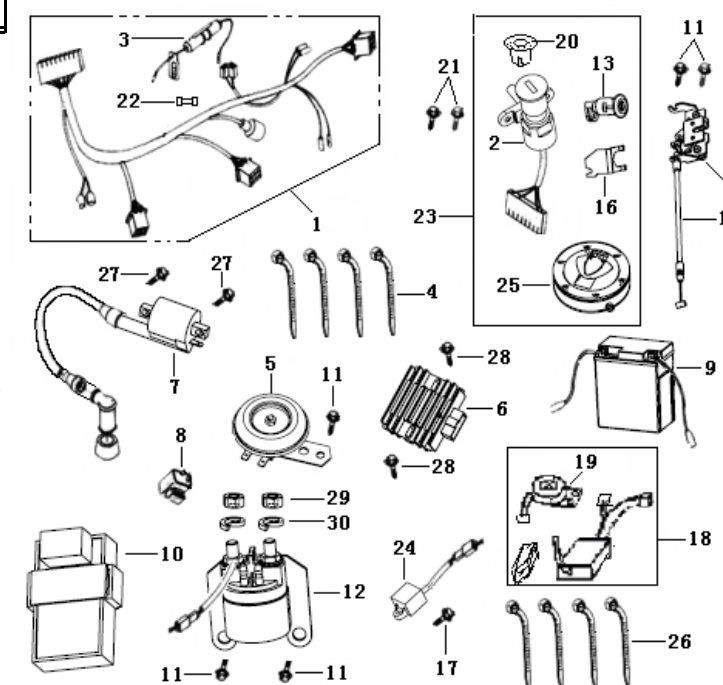
F22 ELECTRIC I

NO.	CODE	DESCRIPTION	QTY.	NOTES	OLD CODE
1	80000J4CT000	HEAD LAMP ASSY.	1		
2	82000J4CT000	TAIL LAMP ASSY.	1		
3	81100J4CT000	LAMP ASSY., FRONT TURN SIGNAL L.	1		
4	81300J4CT000	LAMP ASSY., FRONT TURN SIGNAL R.	1		
5	81700J4CT000	LAMP ASSY., REAR TURN SIGNAL R.	1		
6	81500J4CT000	LAMP ASSY., REAR TURN SIGNAL L.	1		
7	80900J4CT000	FRONT PARKING LAMP ASSY.	1		
8	86300K310001	SIDE REFLECTOR	1	for 150cc	
9	82900K590000	REAR LICENSE LAMP ASSY.	1	for 150cc	
10	86400K310001	REAR REFLECTOR	1	for 150cc	
11	B05074201305	TAPPING SCREW ST4.2x13	30		
12	65801J0ET001	CLIP, SCREW ST4.2	2		
13	B24010320000	BULB, HEAD LAMP	2		
14	82040J4CT000	cover tail light	1		
15	82002J4CT000	BOWL, REPERCUSSION, TAIL LAMP	1		
16	82001J4CT000	SEAT, TAIL LAMP	1		
17	B05002902205	TAPPING SCREW ST2.9x22	2		
18	82033J4CT000	CIRCUIT BOARD, TAIL LAMP	1		
19	B24014020002	BULB, FRONT TURN SIGNAL	2		
20	81304J4CT000	BOWL, REPERCUSSION, FRONT TURN SIGNAL R. LAMP	1		
21	81302J4CT000	COVER, FRONT TURN SIGNAL R. LAMP	1		
22	81104J4CT000	BOWL, REPERCUSSION, FRONT TURN SIGNAL L. LAMP	1		
23	81102J4CT000	COVER, FRONT TURN SIGNAL L. LAMP	1		
24	B24012920000	FRONT PARKING BULB 12V3W	3		
25	80905J4CT000	SEAT, FRONT PARKING LAMP	1		
26	80901J4CT000	COVER, FRONT PARKING LAMP	1		
27	B24014220002	BULB, REAR TURN SIGNAL	6		
28	81504J4CT000	BOWL, REPERCUSSION, REAR TURN SIGNAL L. LAMP	1		
29	81502J4CT000	COVER, REAR TURN SIGNAL L. LAMP	1		
30	81704J4CT000	BOWL, REPERCUSSION, REAR TURN SIGNAL R. LAMP	1		
31	81702J4CT000	COVER, REAR TURN SIGNAL R. LAMP	1		
32	B05074201605	TAPPING SCREW ST4.2x16	2		
33	B04000500055	BOLT M5	2		
34	81100K59000	FRONT TURN SIGNAL L.	1	only for EPA, 150cc	
35	81300K59000	FRONT TURN SIGNAL R.	1	only for EPA, 150cc	



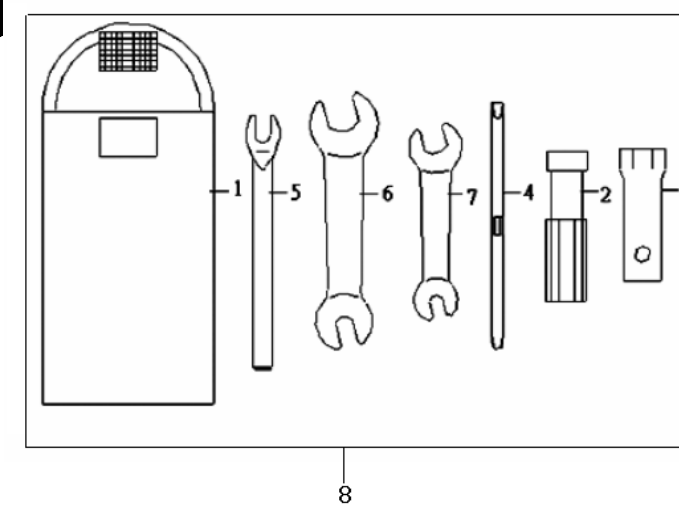
F23 ELECTRIC II

NO.	CODE	DESCRIPTION	QTY.	NOTES	OLD CODE
1	92000K590000	WIRE HARNESS ASSY.	1	for 150cc	
2	88100J4CT000	LOCK ASSY., POWER	1		
3	96800J4AT000	FUSE COMP.	1		
4	96003J00P000	BAND 250	4		
5	95000J0ET000	HORN ASSY.	1		
6	94400T040000	REFLECTOR ASSY., FRONT	1		
7	96200J0ET000	COIL ASSY., IGNITION	1		
8	96400K00P001	RELAY, TURN SIGNAL MANUAL TYPE	1		
9	96100T100000	BATTERY YTX7L-BS 12V, 6AH	1		96100J5BT000
10	94300B230001	C.D.I	1		
11	B01090601265	BOLT M6x12	5		
12	94100J00P002	RELAY, STARTER	1		
13	88800J4CT000	LOCK ASSY., SEAT	1		
14	58800J4CT000	LOCK SEAT ASSY., SEAT	1		
15	58900BSAT000	LOCK LINE ASSY., SEAT	1		
17	B01090601665	BOLT M6x16	1		
18	95700J4CT000	ANNUNCIATOR,VOICE ASSY.	1		
19	95730BMBT00	ALARM SYSTEM HORN	1		
20	88101J4AT000	DECORATION, LOCK	1		
21	08011BMBT00	SCREW M6x16	2		
22	96810J4AT000	FUSE	2		
23	88000K590000	LOCK ASSY.	1	only for EPA market	
24	92100JX0T000	DIODE	1		
25	50200J4CT000	CAP, FUEL TANK	1		
26	96002J00P000	BAND 200	4		
27	B01090602065	BOLT M6x20	2		
28	B01090602565	BOLT M6x25	2		
29	B04000600055	NUT M6	2		
30	B07000000605	SPRING WASHER 6	2		



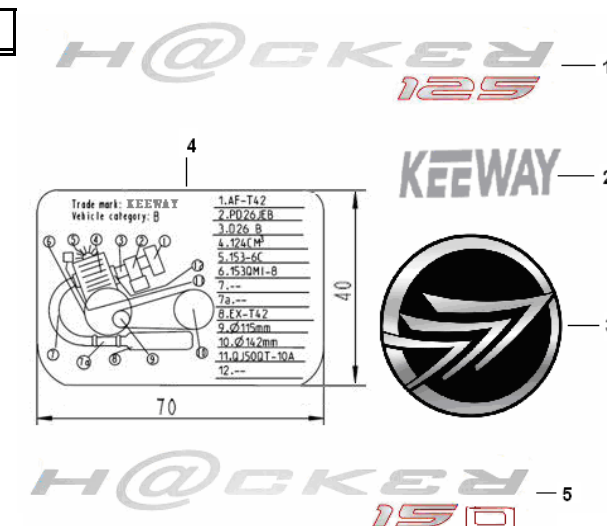
F24 TOOL KIT

NO.	CODE	DESCRIPTION	QTY.	NOTES	OLD CODE
1	02110G00P000	TOOL BAG	1		
2	02104G00P000	HANDLE	1		
3	02101J4AT000	SOCKET, SPARK PLUG	1		
4	02103G00P000	SCREW DRIVER, DOUBLE-ENDED	1		
5	02102G00P000	SPANNER	1		
6	B20011301603	WRENCH 13-16	1		
7	B20011001203	WRENCH 10-12	1		
8	02100J4CT000	TOOL ASSY.	1		



F25 STICKER

NO.	CODE	DESCRIPTION	QTY.	NOTES	OLD CODE
1	05511J4CT000	STICKER, SIDER COVER	2	used for 125cc	
2	05525J4CT000	STICKER, COUPLING COVER	2		
3	05525BMBT00	STICKER, FRONT COVER	1		
4	57002J4CT000	ANTI-TAMPERING PLATE	1		
5	05511K590000	STICKER, SIDER COVER	2	used for 150cc	



F26 ENGINE ATTACHMENT

NO.	CODE	DESCRIPTION	QTY.	NOTES	OLD CODE
1	08350K540000	LEVER, STARTER	1	used for 150cc	
2	B01030602565	BOLT M6x25	1		
3	08400GC0T000	WIND ENTRANCE PIPE ASSY., ENGINE	1		
4	08430J0ET000	NIP ASSY.	1		
5	B02000402525	SCREW M4x25	1		

