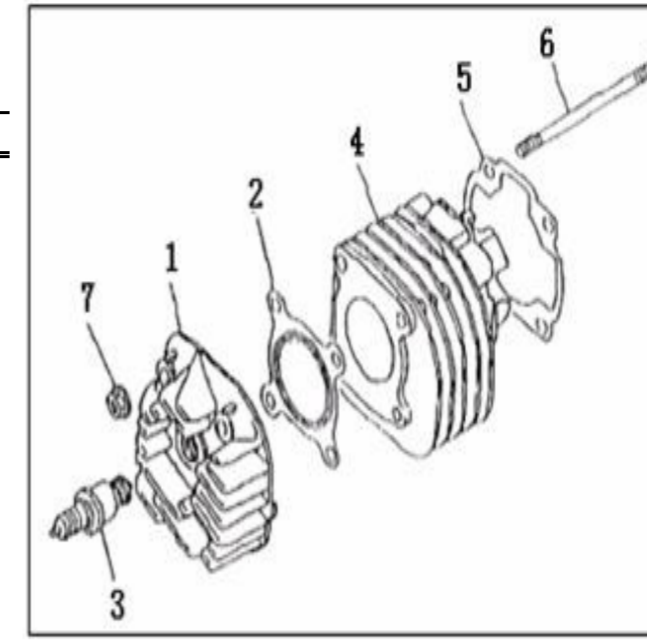


MODEL: QJ1E40QMB-4, for F-ACT50, MATRIX50
 (NOTES: THIS ENGINE PARTS CATALOG IS EXACTLY SAME AS MATRIX 50's ENGINE PARTS CATALOG)

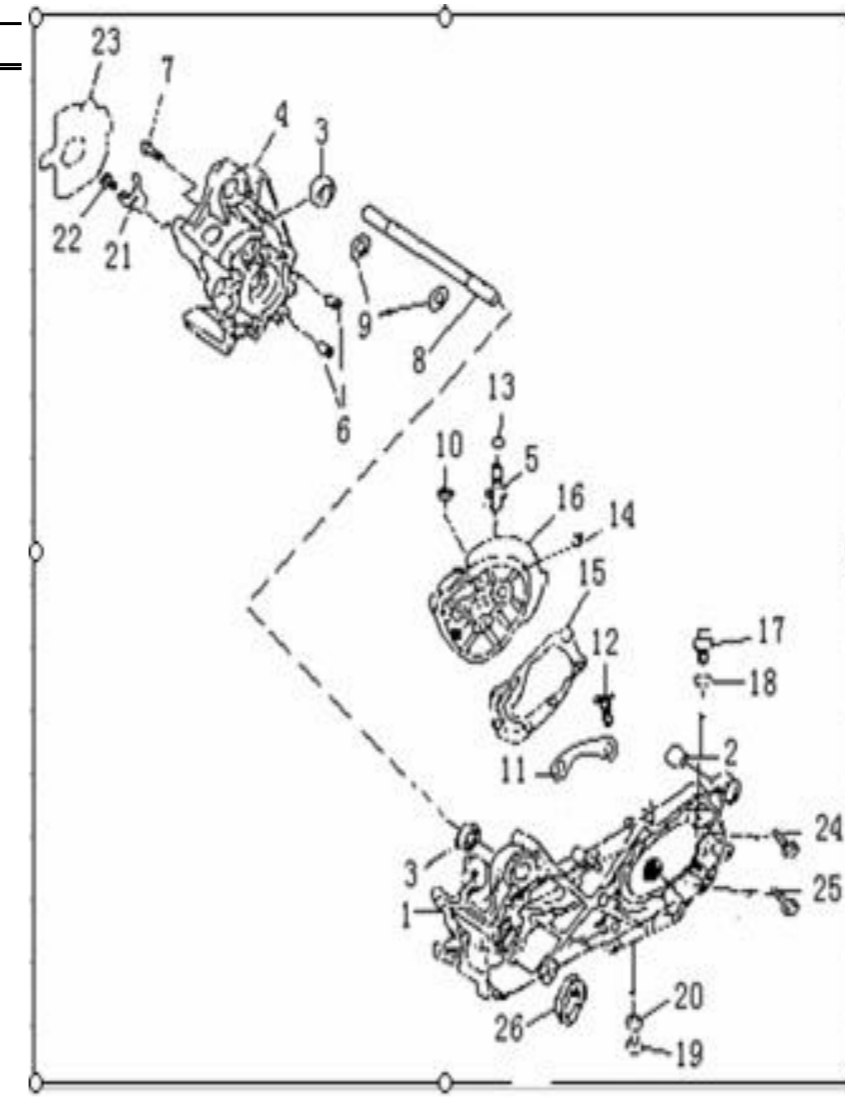
E01.2 CYLINDER HEAD ASSY (FOR EPA(NORTH AMERICA) MARKET)

NO.	PART NO.	EN DESCRIPTION	QTY	NOTES	Season	OLD CODE
1	30701B01F00A	HEAD,CYLINDER	1	for EPA (North America) market		
2	30507B01F000	GASKET,CYLINDER HEAD	1			
3	201204.013000	SPARK PLUG (BR8HSA)	1	for EPA (North America) market		
4	27101B01F00A	CYLINDER	1	for EPA (North America) market		
5	204204.001000	GASKET,CYLINDER (NON-ASBESTUS)	1			
6	26107B01F910	STUD BOLT	4			
7	304290700062	NUT	4			



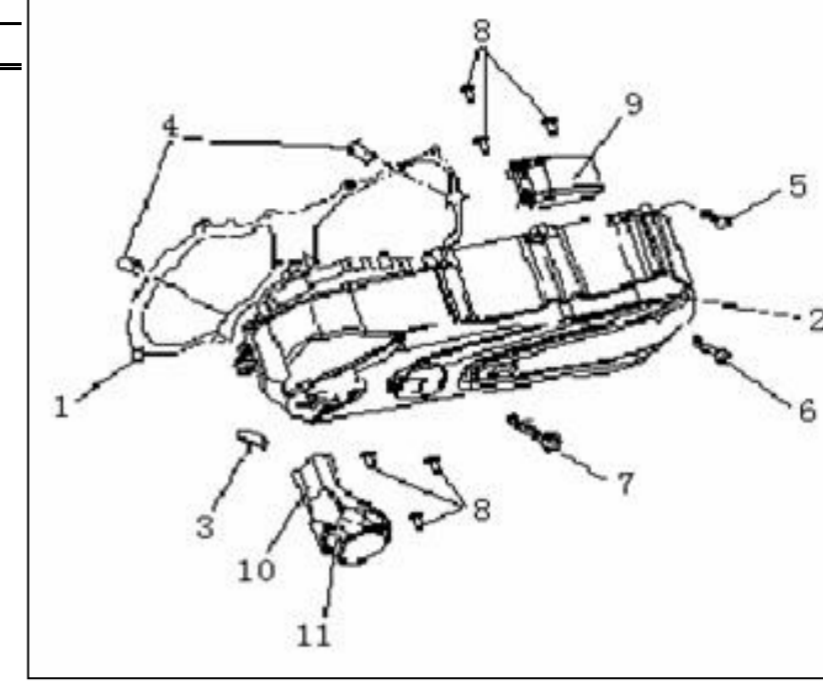
E02 CRANKCASE ASSY

NO.	PART NO.	EN DESCRIPTION	QTY	NOTES	Season	OLD CODE
1	206200.045000	CRANKCASE,LH	1	for EPA (North America) market		
2	26108G02F000	BUSH,ENGINE MOUNTING	1			
3	B12016600300	BEARING	2			
4	26211B09F001	CRANKCASE,RH	1	start from 2008.3.27		
5	26142G02F000	BRAKE SHOE	1			
6	26123G02F000	DOWEL PIN	2			
7	301310603565	PAN HEAD SCREW (chromeplated)	6			
8	26109B09F000	AXLE,engine mount	1			
9	B08010001700	CIRCLIP	2			
10	B04070812553	NUT	1			
11	26214B09F000	BEARING HOLDER	1			
12	B02000601262	PAN HEAD SCREW	2			
13	14222J01F000	O-RING	1			
14	26123G02F000	DOWEL PIN	2			
15	214201.004000	MISSION CASE GASKET (NON-ASBESTUS)	1			
16	18101B09F000	COVER, GEAR BOX	1			
17	206407.004081	OIL PLUG (black)	1			
18	26102G02F000	O RING	1			
19	301310801605	FLANGE BOLT (chromeplated)	1			
20	18105H03F000	PLATE WASHER	1			
21	26214G02F910	OIL SEAL HOLDER	1			
22	301310601263	PAN HEAD SCREW M6X12	1			
23	206321.001000	GASKET (NON-ASBESTUS)	1			
24	301310805565	SCREW M8X55	2			
25	301310805065	SCREW M8X50	5			
26	207234.001000	bush	1			



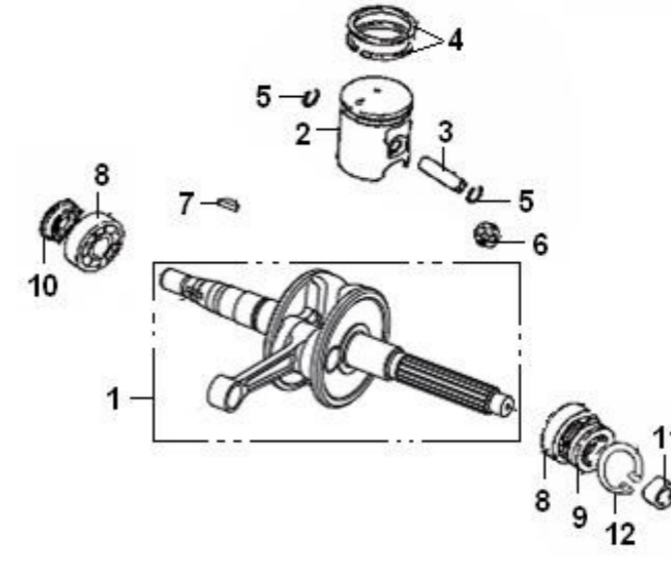
E03.1 SIDECOVER

NO.	PART NO.	EN DESCRIPTION	QTY	NOTES	Season	OLD CODE
1	207208.017000	GASKET,L CRANKCASE (NON-ASBESTUS)	1	for all market (for Q16-27 USA market after 2007.3)	2006-2009	
2	207200.001082	L CRANKCASE COVER (silver)	1	for Q16-27 USA market before 2007.3	2006-2007	
2	169021070013	L CRANKCASE COVER(Gray, with "KEEWAY" mark)	1	for 2008 season	2008	
3	26128G02F000	IDLE GEAR	1	for all market (for Q16-27 USA market after 2007.3)	2006-2009	
4	26208J01F000	DOWEL PIN	2	for all market (for Q16-27 USA market after 2007.3)	2006-2009	
5	301310602565	PAN HEAD SCREW M6X25 (chromeplated)	8	for all market (for Q16-27 USA market after 2007.3)	2006-2009	
6	301310603565	PAN HEAD SCREW M6X35 (chromeplated)	1	for all market (for Q16-27 USA market after 2007.3)	2006-2009	
7	301310606565	PAN HEAD SCREW M6X65 (chromeplated)	1	for all market (for Q16-27 USA market after 2007.3)	2006-2009	
8	3052035014F5	SCREW ST3.5X14 (chromeplated)	6	for all market (for Q16-27 USA market after 2007.3)	2006-2009	
9	14148B09F000	AIR DUCT-OUTLET	1	for all market (for Q16-27 USA market after 2007.3)	2006-2009	
10	14148B09F000	AIR DUCT-INLET	1	for all market (for Q16-27 USA market after 2007.3)	2006-2009	
11	14150B09F000	FILTER ASSY	1	for all market (for Q16-27 USA market after 2007.3)	2006-2009	



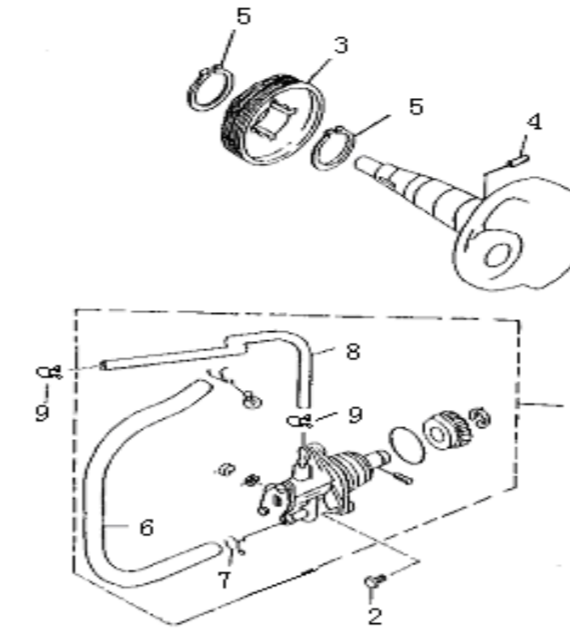
E04 PISTON CRANKSHAFT CONNECTING ROD ASSY

NO.	PART NO.	EN DESCRIPTION	QTY	NOTES	Season	OLD CODE
1	208100.022000	CRANKSHAFT ASSY (TPI)	1			
2	15100B01F00B	PISTON ASSY	1	For NON-EEC and EPA market		
3	15105B16F000	PISTON PIN	1			
4	15103B01F000	PISTON RING ASSY (EPA market)	1set	AVL for NON-EEC & EPA (North America) market (2 pcs/vehicle, order by set)		
5	15111G02F000	CIRCLIP	2			
6	15110B16F000	NEEDLE BEARING	1			
7	15101B01F000	WOODRUFF KEY	1			
8	B12016620453	BEATRING (TPI)	2			
9	15213G02F000	OIL SEAL	1			
10	26215G02F000	OIL SEAL ASSY	1			
11	15214G02F000	COLLAR	1			
12	17308G02F000	CIRCLIP	1			



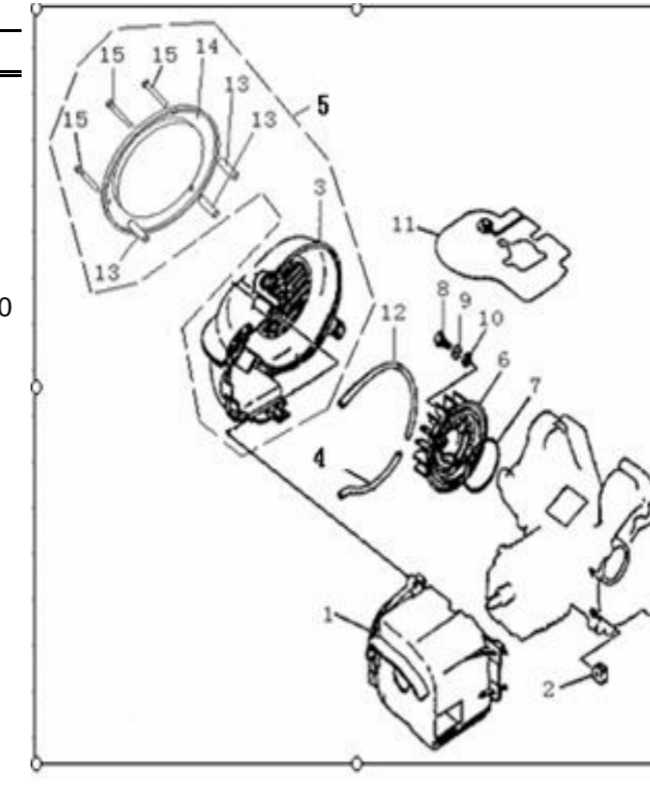
E05 OIL PUMP ASSY

NO.	PART NO.	EN DESCRIPTION	QTY	NOTES	Season	OLD CODE
1	219101.008000	OIL PUMP ASSY (with Mark '502')	1	with Mark '502'		
1	269011070040	OIL PUMP ASSY (with Mark '50')	1	with Mark '50'		
2	B02000501463	SCREW	2			
3	15211G02F000	PUMP DRIVE GEAR	1			
4	B090103014C0	PIN	1			
5	15106G02F910	CIRCLIP	2			
6	221405.100000	HOSE,OIL INLET	1			
7	19213G02F00A	HOSE CLIP (chromeplated)	2			
8	221405.101000	HOSE,OIL OUTLET	1			
9	19217G02F00A	HOSE CLIP (chromeplated)	2			



E06 AIR COOLING SYSTEM

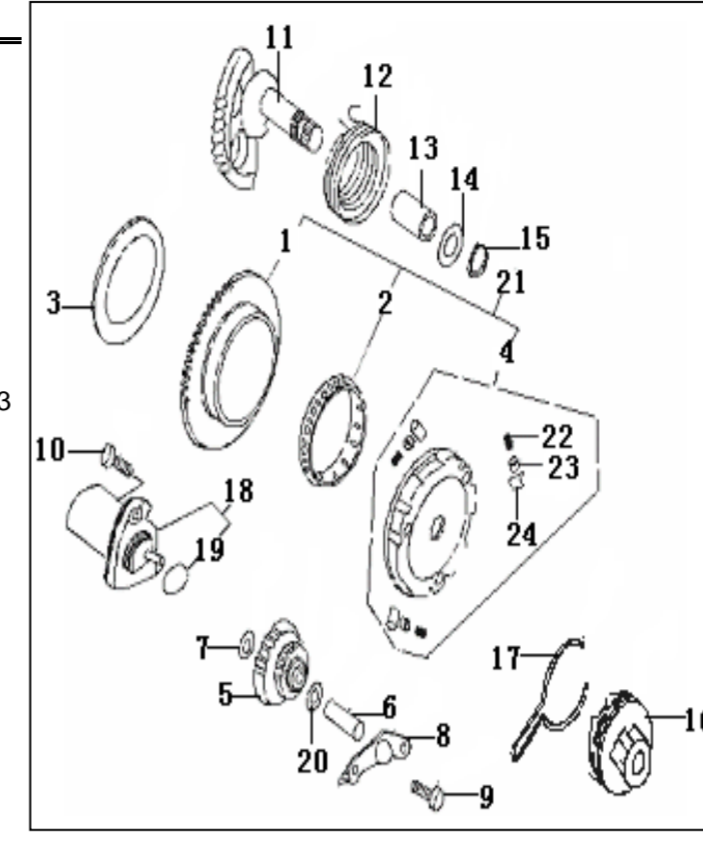
NO.	PART NO.	EN DESCRIPTION	QTY	NOTES	Season	OLD CODE
1	20301B01F000	COWLING,cylinder	1			
2	20303G02F000	GROMMET	2			
3	20201B09F000	COELING.fan (AVL)	1			
4	20208G02F000	MOLD.cowling (110)	1			
5	222103.009000	COELING ASSY.fan (with dustproof cover	1	with dustproof cover without bird-shaped mark		
6	20401G02F000	FAN ASSY	1			20401B01F000
7	20402G02F000	RUBBER RING	1			
8	B02000601663	SCREW	3			
9	B07000000600	SPRING WASHER	3			
10	B07030000600	WASHER	3			
11	20102G02F000	PLATE	1			
12	20206G02F000	MOLD.cowling (220)	1			
13	20208B09F000	COLLOR	3			
14	222304.004000	COVER.DUSTPROOF (without bird-shaped mark)	1	without bird-shaped mark		
15	B02000403524	SCREW M4X35 (chromeplated)	3			



E07 KICK STARTER ASSY

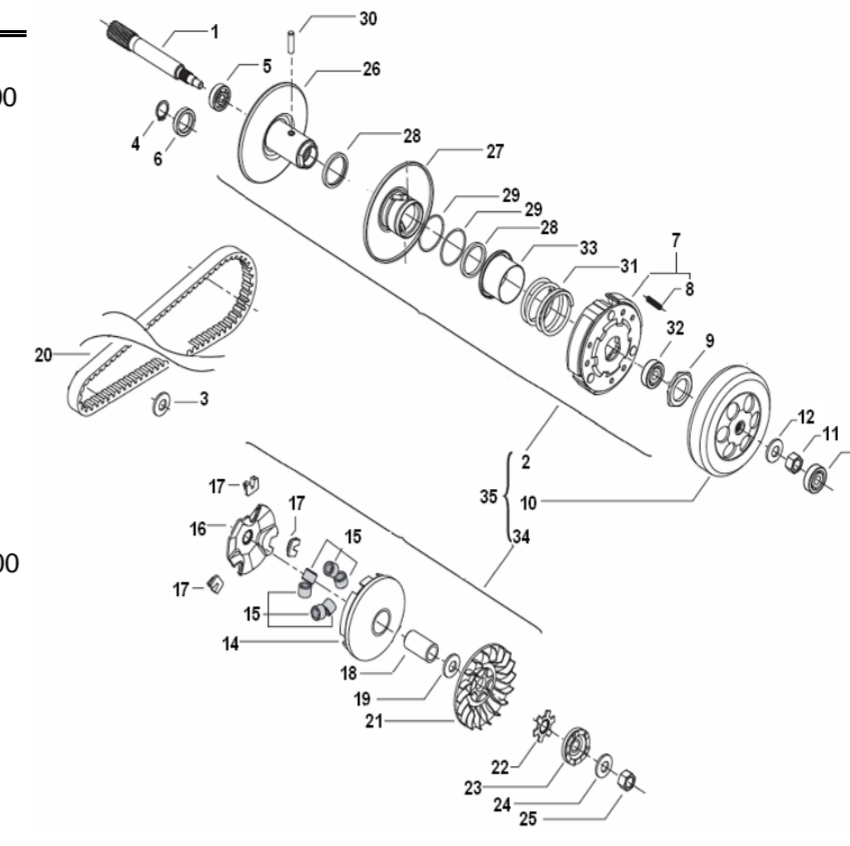
NO.	PART NO.	EN DESCRIPTION	QTY	NOTES	Season	OLD CODE
1	34120G02F000	START GEAR ASSY	1			
2	34121G02F000	NEEDLE BEARING	1			
3	34123G02F000	THRUST WASHER	1			
4	34110G02F00A	START HOLDER ASSY	1			
5	34126G02F000	DRIVEN GEAR,STARTER	1			
6	26128G02F000	IDLE GEAR SHAFT	1			
7	34122G02F000	PLATE WASHER	1			
8	34125G02F000	IDLE GEAR HOLDER	1			
9	B01070601063	BOLT	2	for NON-EEC & EEC2 market		
9	301310601062	SCREW M6X10	2	for EPA (North America) market		
10	302040602065	SCREW	2			
11	216100.003000	SHAFT, kick starter	1	for Q16-27 USA market after 2007.3	2007-2009	
11	216100.004000	SHAFT, kick starter (full speed)	1	only for Q16-27 USA market before 2007.3	2006-2007	
12	17407G02F000	SPRING	1			
13	216217.004000	BUSH	1	for Q16-27 USA market after 2007.3	2007-2009	
13	216217.001000	BUSH (full speed)	1	only for Q16-27 USA market before 2007.3	2006-2007	
14	307991005552	WASHER ,kick starter	1			
15	308090150003	CIRCLIP	1			
16	17415G02F000	KICK PINION ASSY	1			
17	17418G02F930	CLIP	1			
18	218100.017472	STARTING MOTOR ASSY (chromeplated)	1			
19	B190102120B0	O-RING	1			
20	34130G02F000	PLATE WASHER	1			
21	217100.100000	START CLUTCH ASSY	1			
22	34404G02F00A	SPRING	3			
23	34405G02F00A	CAP	3			
24	34402G02F00A	ROLLER	3			

B02000601063



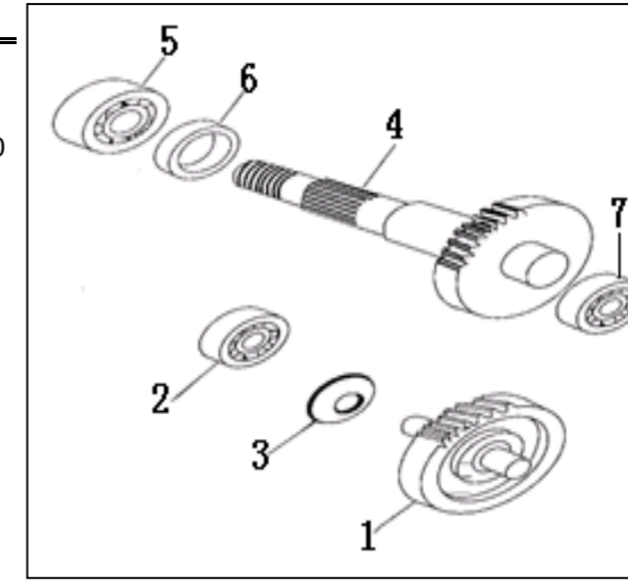
E08. CLUTCH ASSY

NO.	PART NO.	EN DESCRIPTION	QTY	NOTES	Season	OLD CODE
1	24201B09F000	PRIMARY DRIVE SHAFT old	1	Engine No. before QJ1E40QMB-4*93007020		
1	229041070000	PRIMARY DRIVE SHAFT new	1	Start Engine No.QJ1E40QMB-4*93007020	2009	24201B09F000
2	24200B01F000	DRIVEN PULLY and CLUTCH ASSY	1			
4	B08010001700	CIRCLIP	1			
5	B12016620300	ROLING BEARING 6203	1			
6	24203B09F000	OIL SEAL	1			
7	24301B01F000	CLUTCH ASSY,shoe	3			
8	24302B01F000	SPRING	3			
9	24303G02F000	NUT	1			
10	24700G02F000	HOUSING	1			
11	24305G02F940	NUT	1			
12	24243G02F000	RING φ6.7X3	1	Engine No. before QJ1E40QMB-4*93007020		
12	200492080000	RING φ5.5X1.5	2	Start Engine No.QJ1E40QMB-4*93007020	2009	24243G02F000
13	24209G02F000	BEARING 638Z	1			
14	24101G02F000	FACE,movable drive	1	for vehicle with full speed in EPA & NON-EEC market		
15	213119.004000	ROLLER (4g, EPA/North America market)	1 set	for EPA(North America) market, (6 pieces/set order by piece)		
16	24103G02F000	PLATE,movable drive	1			
17	24104G02F000	DAMPER	3			
18	24105G02F000	COLLER	1			
19	24106B01F000	WASHER	1			
20	24107B01F000	V BELT,DRIVE (MITSUBOSHI)	1	brand :MITSUBOSHI		
20	229011160020	V BELT, DRIVE (BANDO)	1	brand :BANDO		
21	24108G02F000	FACE,FIXED DRIVE	1	for NON-EEC & EPA	24108B09F000	
22	24109G02F000	PLATE,WOODRUFF KEY	1			
23	213203.001161	STARTING DISC	1			
24	15112G02F010	WASHER,SPRING	1			
25	B04031212553	NUT M12X1.25	1			
26	24204G02F000	FACE,FIXED DRIVEN	1			
27	24205G02F000	FACE,MOVABLE DRIVEN	1			
28	24206G02F000	OIL SEAL	1			
29	24207G02F000	O-RING	2			
30	24208G02F000	PIN,GUIDE	2			
31	24308B01F000	SPRING	1			
32	24245G02F000	ROLLER BEARING	1			
33	24309G02F930	SEAT,SPRING	1			
34	200111040000	DRIVE ASSY 4g	1	for EPA market	24100B09F000	
35	213100.009000	SHIFT ASSY (with 4g roller)	1	4g,for EPA (North America) market		



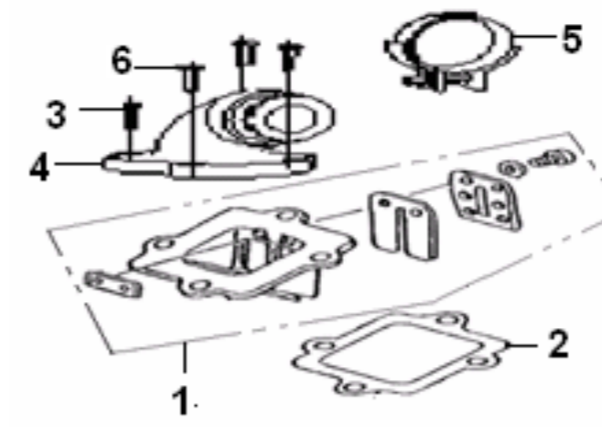
E09.2 TRANSMISSION SYSTEM ASSY (FOR EPA MARKET)

NO.	PART NO.	EN DESCRIPTION	QTY	NOTES	Season	OLD CODE
1	1780G16F000	SHAFT,IDLE	1	for EPA (North America) market		
2	B12016620000	BEARING 6200	1			
3	17732J01F000	WASHER, PLANE	1	for EPA (North America) market		17802J01F000
4	17300G16F000	DRIVEN SHAFT(GEAR BOX)	1	for EPA (North America) market		
5	B12016600400	NEEDLE BEARING 6004-2RS	1			
6	17317B09F000	OIL SEAL 25X44X7	1			
7	B12016620200	NEEDLE BEARING 6202	1			



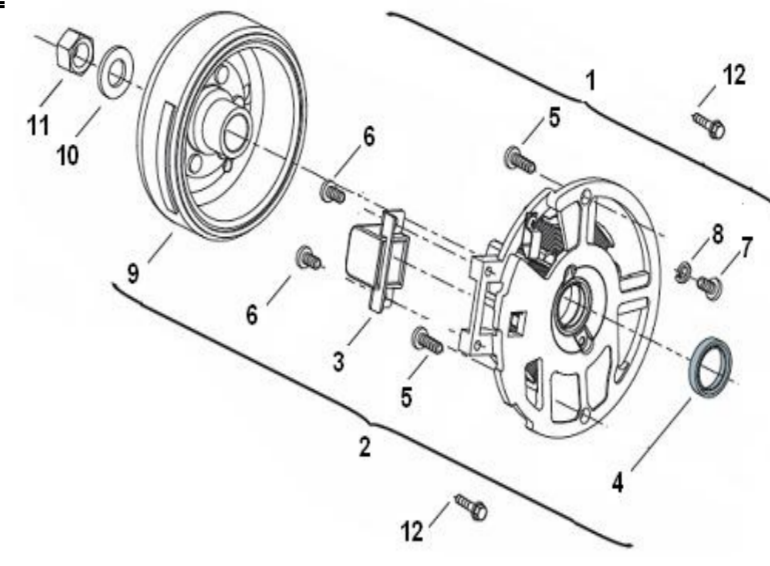
E10 REED VALVE ASSY

NO.	PART NO.	EN DESCRIPTION	QTY	NOTES	Season	OLD CODE
1	32300G02F000	REED VALVE ASSY	1			
2	202306.002000	VALVE SEAT GASKET (NON-ASBESTUS)	1			
3	302040602065	SCREW M6X20	4			
4	32200G02F000	PIPE, intake	1			
5	202104.006000	CLIP	1	for full speed vehicle in EPA and NON-EEC market		
6	206412.001472	SCREW	1			



E11 MAGNETO ASSY

NO.	PART NO.	EN DESCRIPTION	QTY	NOTES	Season	OLD CODE
1	34310G02F000	COIL ASSY	1	for EPA (North America) market		
2	223100.100000	MAGNETO ASSY (15°)	1	for EPA (North America) market		
3	34330G02F000	PULSE TRIGGER	1			
4	34350G02F000	OIL SEAT	1			
5	B02000502522	SCREW	2			
6	B02000501262	SCREW	2			
7	B02000400622	SCREW	1			
8	B07000000400	SPRING WASHER	1			
9	223101.019000	FLY WHEEL ASSY (15°)	1	for EPA (North America) market		
10	B07030001200	WASHER	1			
11	15228H03F000	NUT	1			
12	B01070601664	NUT	2			



B02270601664

E12.1 CARBURETOR ASSY

NO.	PART NO.	EN DESCRIPTION	QTY	NOTES	Season	OLD CODE
1	32510B01F000	NEEDLE JET	1			224208.040000
2	32511B01F000	VALVE,PISTON diameter 15.5mm,high 28mm	1	for 30km/h,45km/h, and full speed vehicle; (EPA use this type)		224600.016000
3	224202.100000	MAIN JET 70#	1	for EPA (North America) market		
3	224202.104000	MAIN JET 60#	1	for EPA (North America) market		
4	32612B01F000	ENRICH VALVE QJ without waterproof	1	QJ		
4	3361005E0010	ENRICH VALVE MIKUNI without waterproof	1	MIKUNI		
5	32619B01F000	Float Pin	1			
6	32620B01F000	FLOAT	1			
7	32701B01F000	GASKET	1			224416.014000
8	224100.042000	CARBURETOR ASSY(QJ, MJ70,NJ22.5,without heater , full speed)	1	QJ,full speed, without heater for EPA		
10	32801B09F000	L WASHER	1			
11	224203.100000	IDLE JET (22.5#)	1			32609B01F000
12	32508B01F000	V-shaped Clip	1			224214.008000
13A	224128.003000	OIL PIPE ASSY QJ	1			3315102E0000
13B	330031070000	OIL PIPE ASSY (MIKUNI)	1			
13C	33151E050000	OIL PIPE ASSY QJ (without screw thread)	1			
13D	3315102E0001	OIL PIPE ASSY QJ (steel ball structure, with screw thread)	1			
13E	3315102E0010	OIL PIPE ASSY QJ (pin valve structure, with screw thread)	1			
14	32617B01F000	VALVE NEEDLE	1			2011 3315102E0001
15	3328305E0000	SCREW, AIR	1	for EPA market, broken screw		
15	3314505E0000	SCREW, air QJ	1	for QJ CARBURETOR		
15	3314505E0010	SCREW, air Mikuni	1	for Mikuni CARBURETOR		
16	3322605E0010	SCREW, idle speed Mikuni	1	for QJ CARBURETOR		
16	3322605E0000	SCREW, idle speed QJ	1	for Mikuni CARBURETOR		

