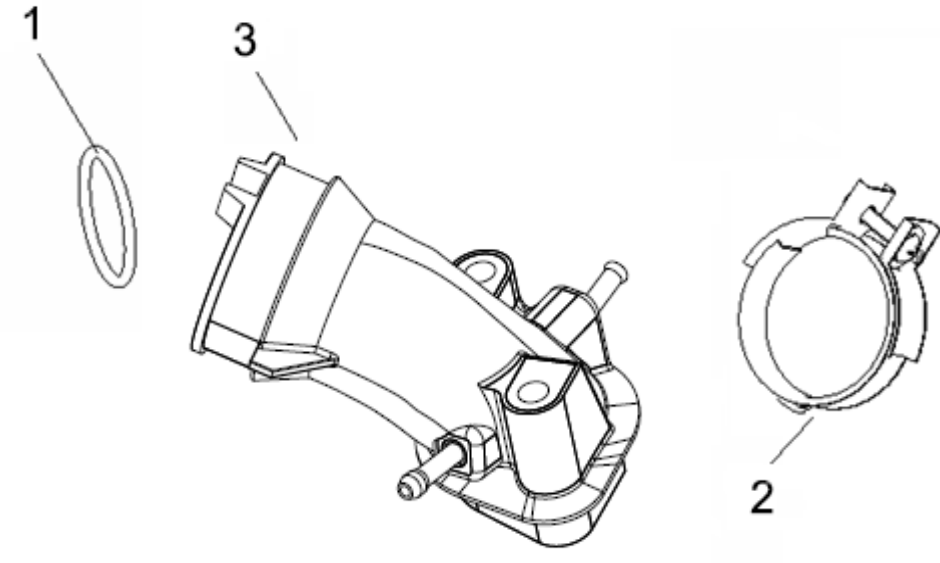


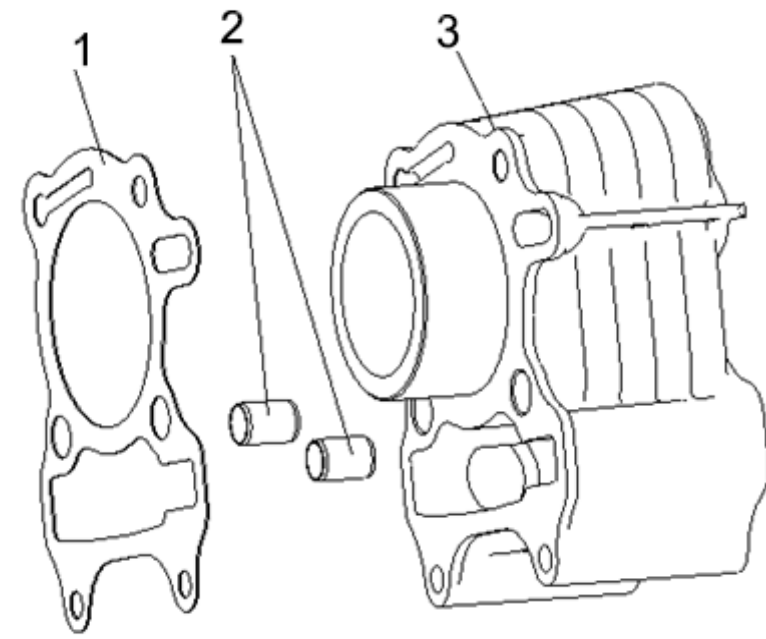
E01.CYLINDER COVER ASSY

NO.	CODE	DESCRIPTION	QTY	NOTES
1	100031270000	CYLINDER HEAD,WITHOUT SECONDARY AIR INTAKE SYSTEM	1	
2	109071270000	GASKET. CYLINDER HEAD	1	
3	129181270000	INLET VALVE	1	
4	299075040001	SPARK PLUG	1	
5	129191270000	EXHAST VALVE	1	
6	150083070000	PINA,DOWEL (Φ10×14)	2	
7	129211270000	SEAT,VALESPRING	2	
8	129251270000	SPRING,VALVE	2	
9	120131270000	DOUBLE END STUD,EXHAUST	2	
10	120013050000	SEAL RING,VALVE STEM	2	
11	120031270000	O-RING(40X2.65)	2	
12	120021270000	VALVE COVER	2	
13	100071270000	WASHER	2	
14	120111270000	ACORN NUT	4	
15	129131270000	ROCKER ARM, EXHAUST VALVE	2	
16	120011270000	SHAFT, ROCKER ARM	2	
17	129091270000	SHAFT,ROCKET VALVE	1	
18	120101270000	GASKET	2	
20	129231270000	SCREW. TAPPET ADJUSTING	2	
21	129241270000	NUT. TAPPET ADJUSTING	2	
22	129331270000	UPPER SEAT,VALVE SPRING	2	
23	129221270000	COTTER,VALVE	4	
24	120121270000	DOUBLE END STUD,INLET	1	
25	110011270000	INSULATOR CARBURETOR	1	
26	119071270000	PAPER PAD, INSULATOR CARBURETOR	1	
27	120183050000	WASHER	2	
28	120041270000	PLATE	1	
29	B01070601064	BOLT M6×10	1	
30	120091270000	SPROCKET COVER ASSEMBLY	1	
31	B01070602064	BOLT M6×20	2	
32	B01070608064	BOLT M6×80	2	
33	11004314001X	BOLT	1	
34	B04070600053	NUT,FLANGE(M6)	3	
35	120071270000	CAMSHAFT SPROCKET	1	
36	22007208002X	BOLT M8×16	1	
37	100061270000	O-RING(68X2.5)	1	
38	150103070000	PLUG	1	



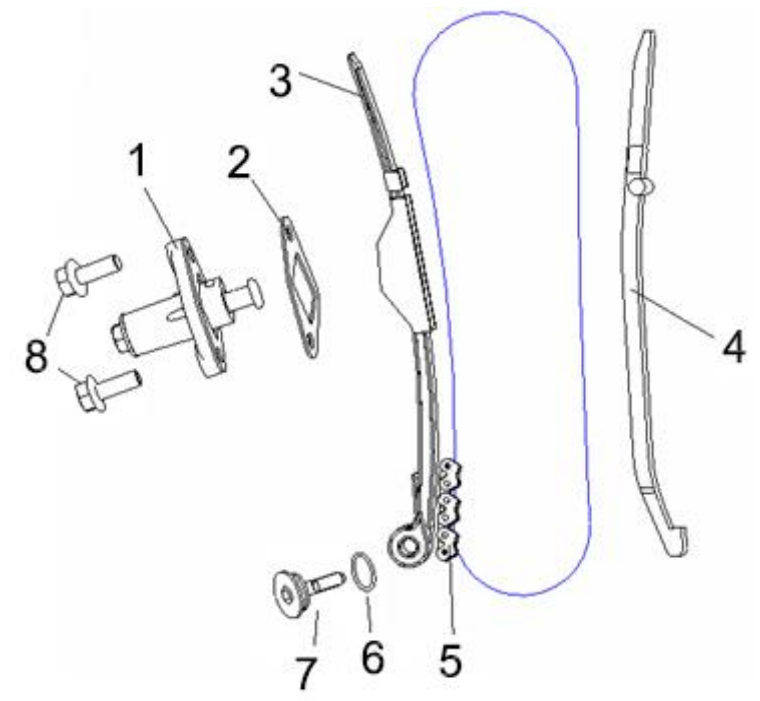
E02.AIR INTAKE SYSTEM

NO.	CODE	DESCRIPTION	QTY	NOTES
1	110021270000	O RING	1	
2	110121140000	CLIP	1	
3	119011270000	PIPE, INTAKE	1	



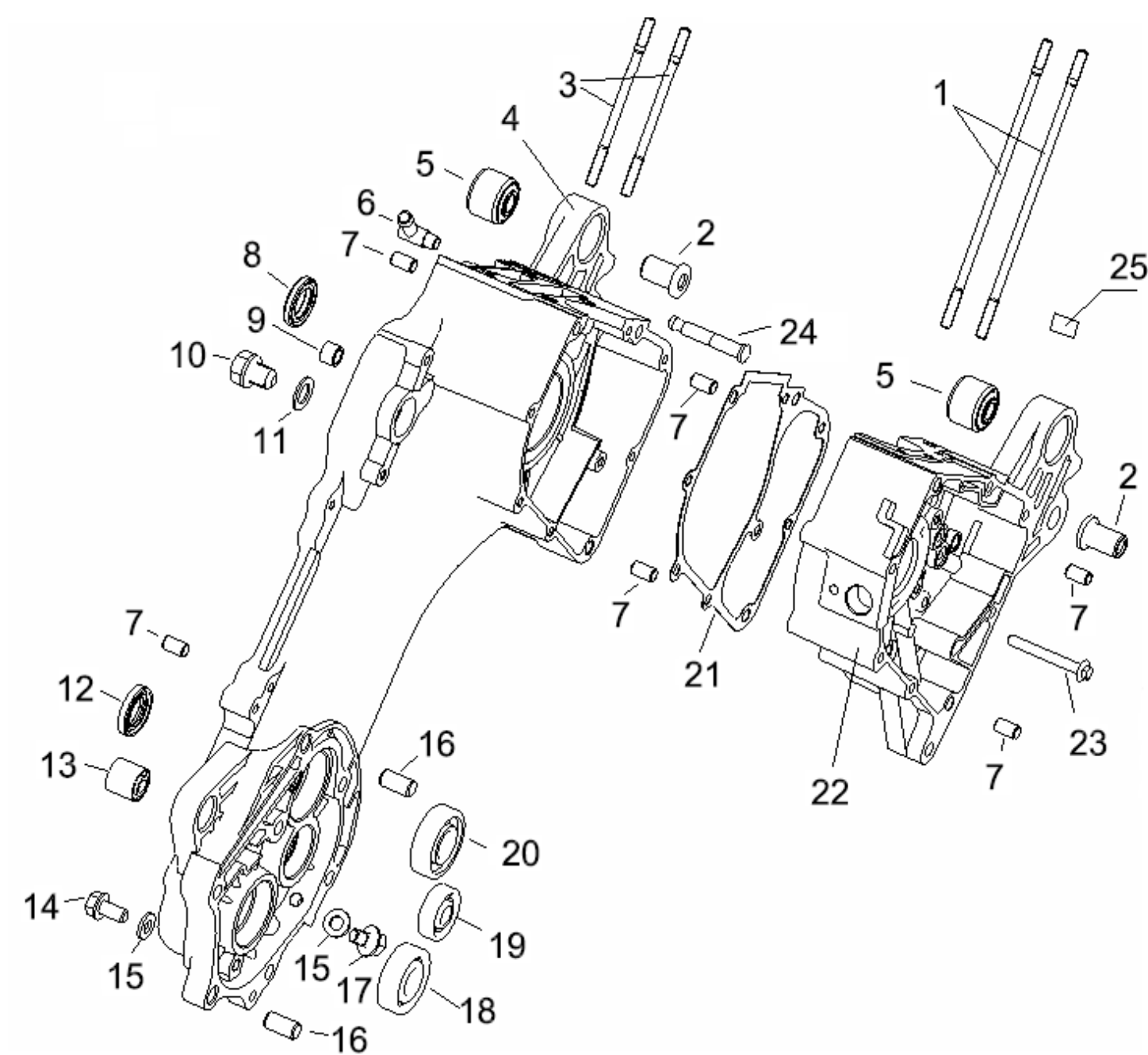
E03.CYLINDER ASSY

NO.	CODE	DESCRIPTION	QTY	NOTES
1	139021270020	GASKET,CYLINDER	1	
2	150083070000	DOWEL PIN	2	
3	139031270000	CYLINDER,WITHOUT SECONDARY AIR INTAKE SYSTEM	1	



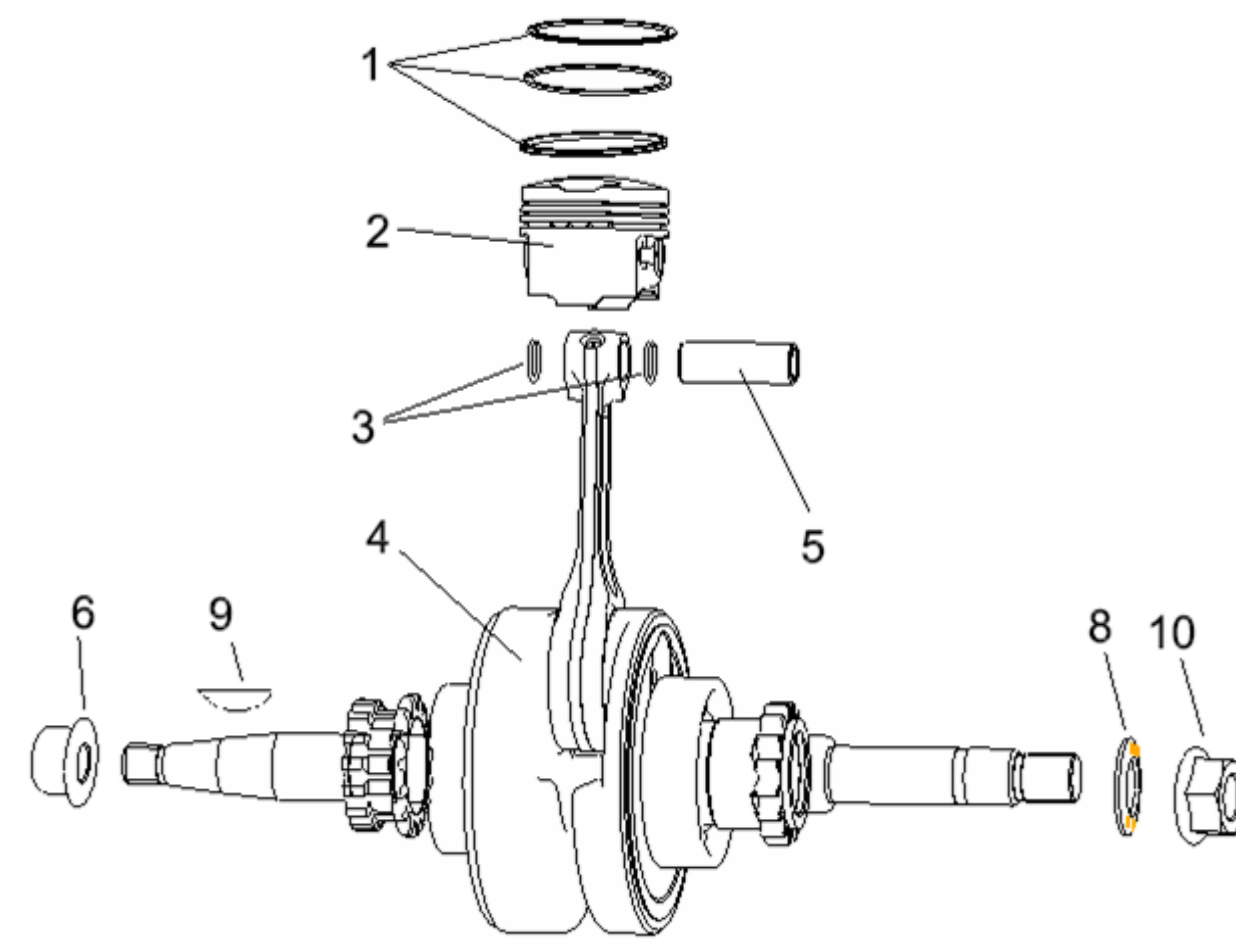
E04.TENSIONER ASSY

NO.	CODE	DESCRIPTION	QTY	NOTES
1	149031270000	TENSIONER	1	
2	140051270000	WASHER	1	
3	140011270000	GUID CHAIN PLATE	1	
4	140021270000	SUB-GUAID CHAIN PLATE	1	
5	140041270000	CHAIN	1	
6	140023050000	O RING	1	
7	14004305001X	SCREW	1	
8	B01070601664	BOLT M6x16	2	



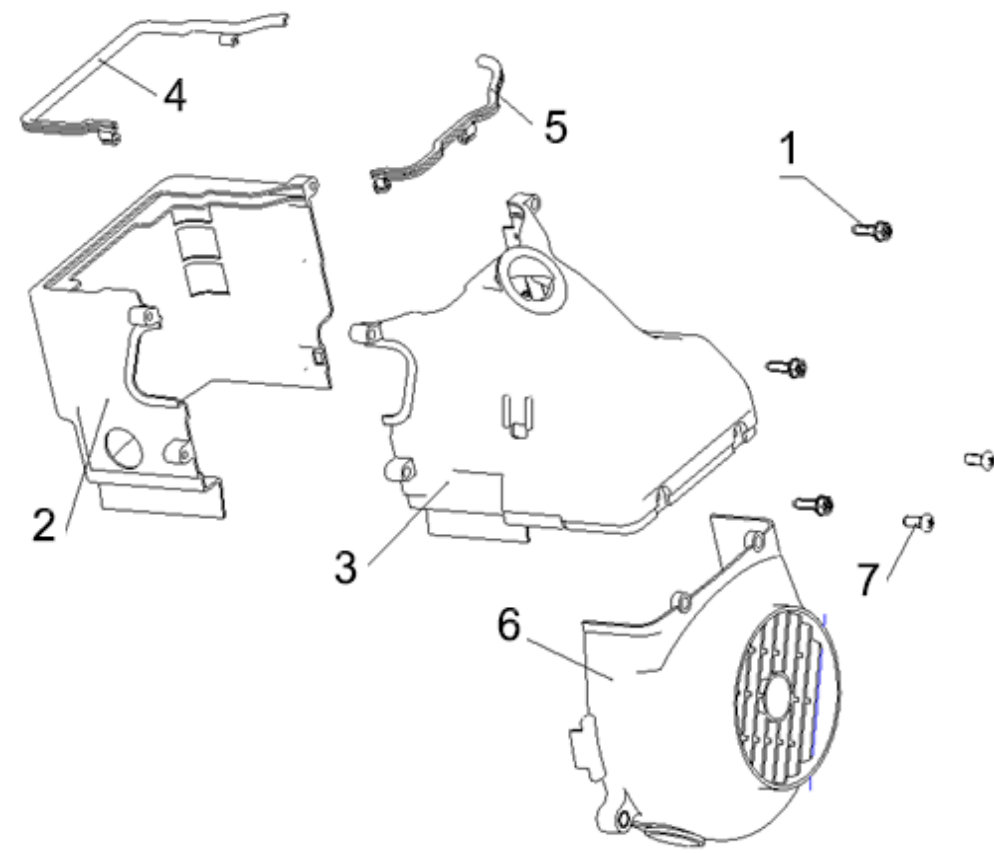
E05.CRANKCASE ASSY,LEFT&RIGHT

NO.	CODE	DESCRIPTION	QTY	NOTES
1	159111270000	STUD BOLT (B)	2	
2	270121140000	COLLOR	2	
3	159101270000	STUD BOLT (A)	2	
4	159021270000	CRANKCASE,LEFT,WITHOUT SECONDARY AIR INTAKE SYSTEM	1	
5	150011270000	BUSH, ENGINE HANGER	2	
6	150061270000	TIE-IN	1	
7	150043050000	PIN,DOWEL	6	
8	170021270000	OIL SEAL	1	
9	160011210000	STARTER BEARINGS.	1	
10	15006305002X	DRAIN PLUG SCREW	1	
11	210382140030	WASHER	1	
12	150011210000	OIL SEAL 17x30x5	1	
13	150012080000	BUSH	1	
14	22007208002X	FLANGE BOLT	1	
15	210013050000	WASHER	2	
16	130023070000	DOWEL PIN	2	
17	B01070801264	FLANGE BOLT M8x12	1	
18	B12016020303	BEATRING	1	
19	B12016020101	BEARING	1	
20	150031140000	BEARING	1	
21	150071270000	GASKET	1	
22	15903127000A	CRANKCASE ASSY,RIGHT,without secondary air intake system	1	for vehicle VIN before LBBB70307BB781195,without secondary air intake system
22	159031270040	CRANKCASE ASSY,RIGHT,without secondary air intake system	1	start VIN LBBB70307BB781195,without secondary air intake system
23	B01070605064	FLANGE BOLT	1	
24	150051270000	HOLD THE SPRING IN A FIXED AXIS.	1	
25	150031270000	PLUG	1	



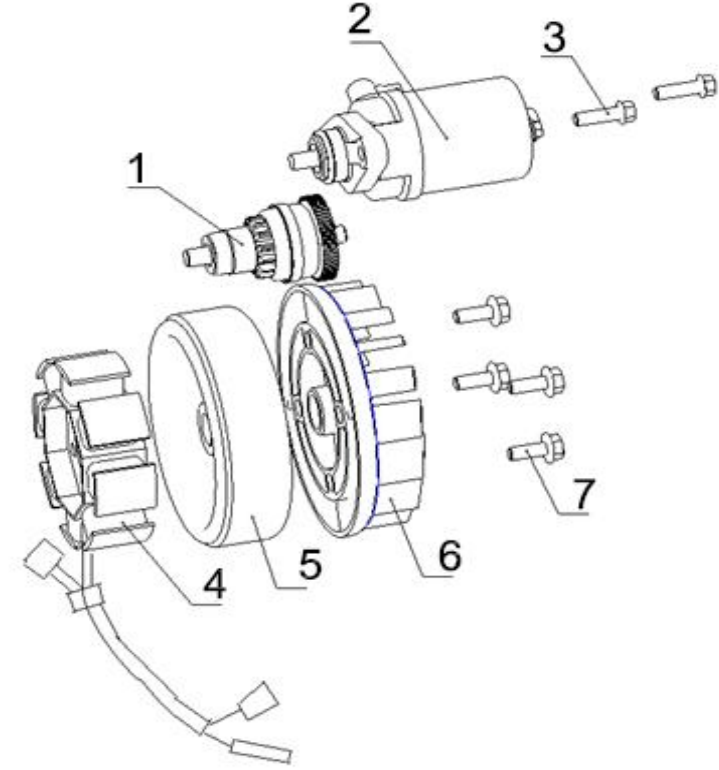
E06.CONNECTING ROD&PISTON ASSY

NO.	CODE	DESCRIPTION	QTY	NOTES
1	170011270000	PISTON RING SET.	1	
2	179131270000	PISTON	1	
3	170011160000	CLIP,PISTON PIN	2	
4	179011270000	PISTON ROD SET	1	
5	179141270000	PIN,PISTON	1	
6	260092140000	NUT	1	
8	200152140000	WASHER	1	
9	110029990000	PIN	1	
10	27002305001X	FLANGE NUT	1	



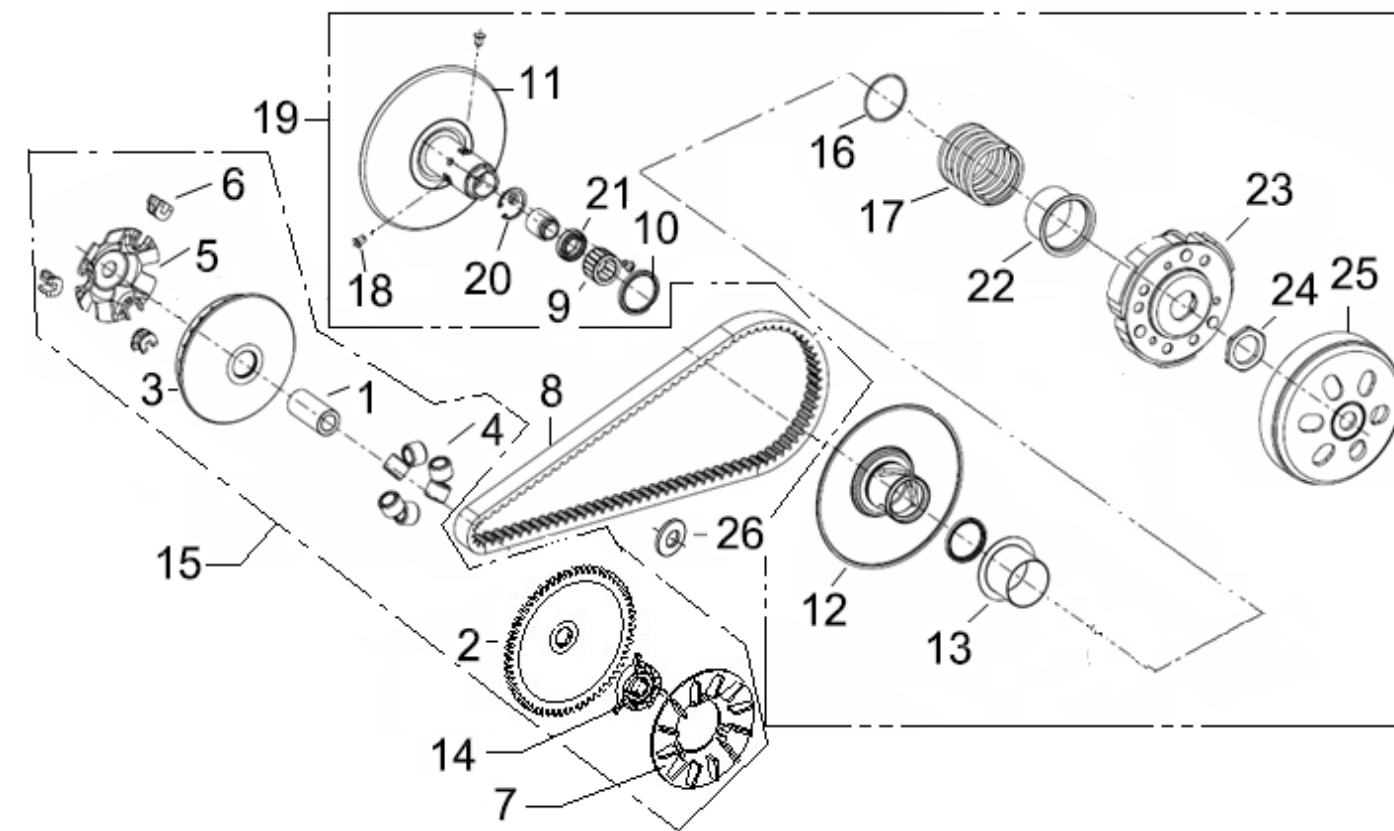
E07.CYLINDER HEAD COVER

NO.	CODE	DESCRIPTION	QTY	NOTES
1	B05074802005	SCREW 4.8x20	3	
2	270011270000	SHROUD, UPPER	1	
3	270021270000	SHROUD, LOWER	1	
4	270041270000	SEAL SHROUD, UPPER	1	
5	270051270000	SEAL SHROUD, LOWER	1	
6	279071140000	COVER, FAN ASSY	1	
7	B05144801605	SCREW 4.8x16	2	



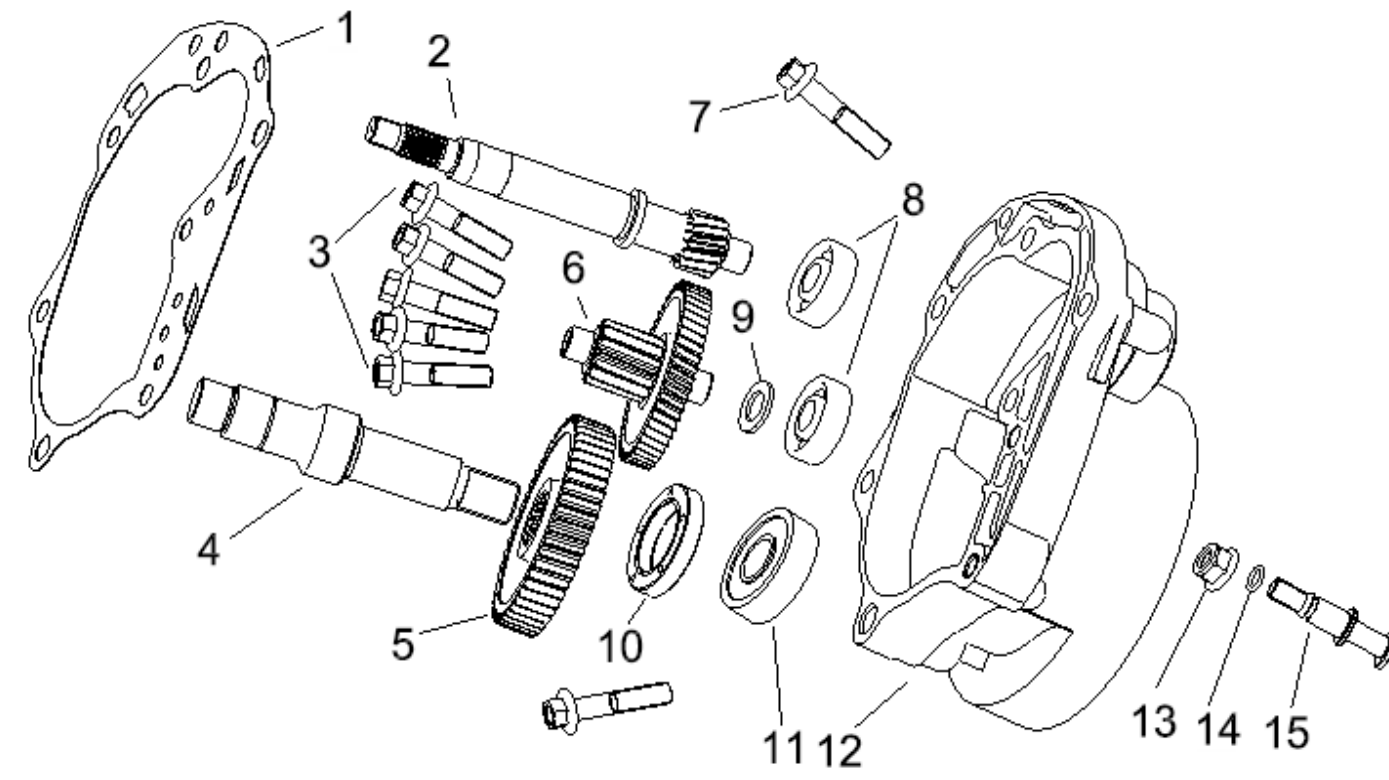
E08.STARTER MOTOR ASSY.

NO.	CODE	DESCRIPTION	QTY	NOTES
1	240051140000	STARTER ADAPTER ASSEMBLY	1	
2	249011140000	STARTER MOTOR ASSEMBLY	1	
3	B01070602064	BOLT M6x20	2	
4	299031140000	COIL ASSEMBLY	1	
5	299021270000	FLY WHEEL ASSY	1	
6	270141140000	FAN ASSEMBLY	1	
7	B01070601664	BOLT M6x16	4	



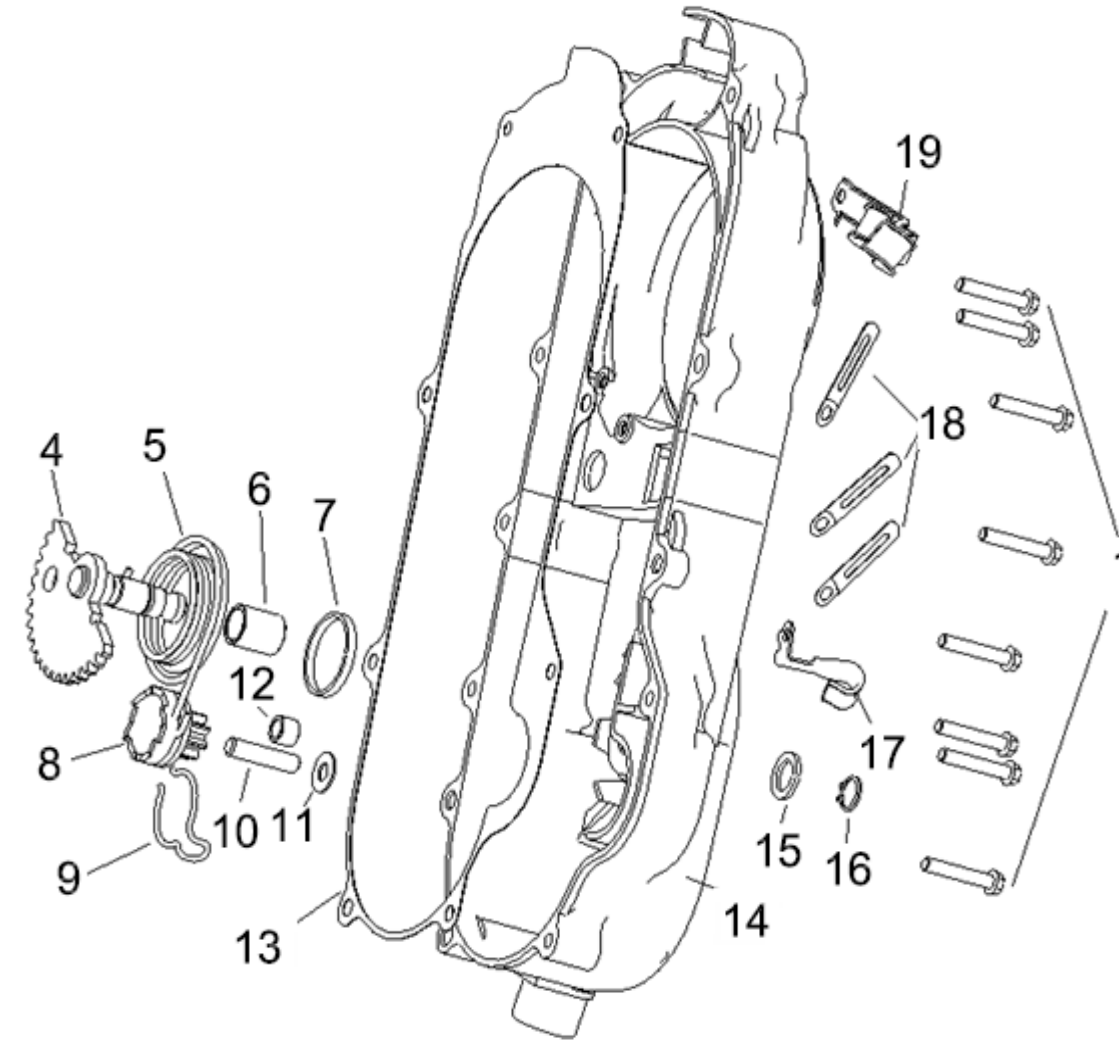
E09.CLUTCH ASSY

NO.	CODE	DESCRIPTION	QTY	NOTES
1	200081140000	COLLAR	1	
2	200071140000	MAIN FIXED-GEAR	1	
3	200121140000	FACE, MOVABLE DRIVE	1	
4	200141140000	ROLLER 6.5G	6	
5	220031210000	CHUCK	1	
6	220041210000	SLIDER	3	
7	200061140000	FAN ASSY	1	
8	229011140000	V BELT, DRIVE	1	
9	B1212K171801	BEARING	1	
10	200031210000	OIL SEAL	1	
11	200041210000	DRIVEN WHEEL FIXED HALF ASSEMBLY	1	
12	200051210000	DRIVEN WHEELS MOVE HALF COMPONENTS	1	
13	200061210000	RIGHT SPRING SEAT	1	
14	200051140000	STARTER SEAT	1	
15	20003114000Z	BEFORE THE CLUTCH ASSEMBLY	1	
16	200071210000	O-RING	1	
17	200081210000	SPRING	1	
18	200091210000	PIN, ROLLER GUIDE	3	
19	209001140000	CLUTCH ASSEMBLY,REAR	1	
20	B08000002402	CIRCLIP 24	1	
21	B12016190101	BEARING	1	
22	200101210000	LEFT SPRING SEAT	1	
23	200111210000	SHOE COMPONENTS	1	
24	200121210000	NUT, SPECIAL	1	
25	220171140000	CLUTCH OUTER	1	
26	220101270000	WASHER 5MM	1	



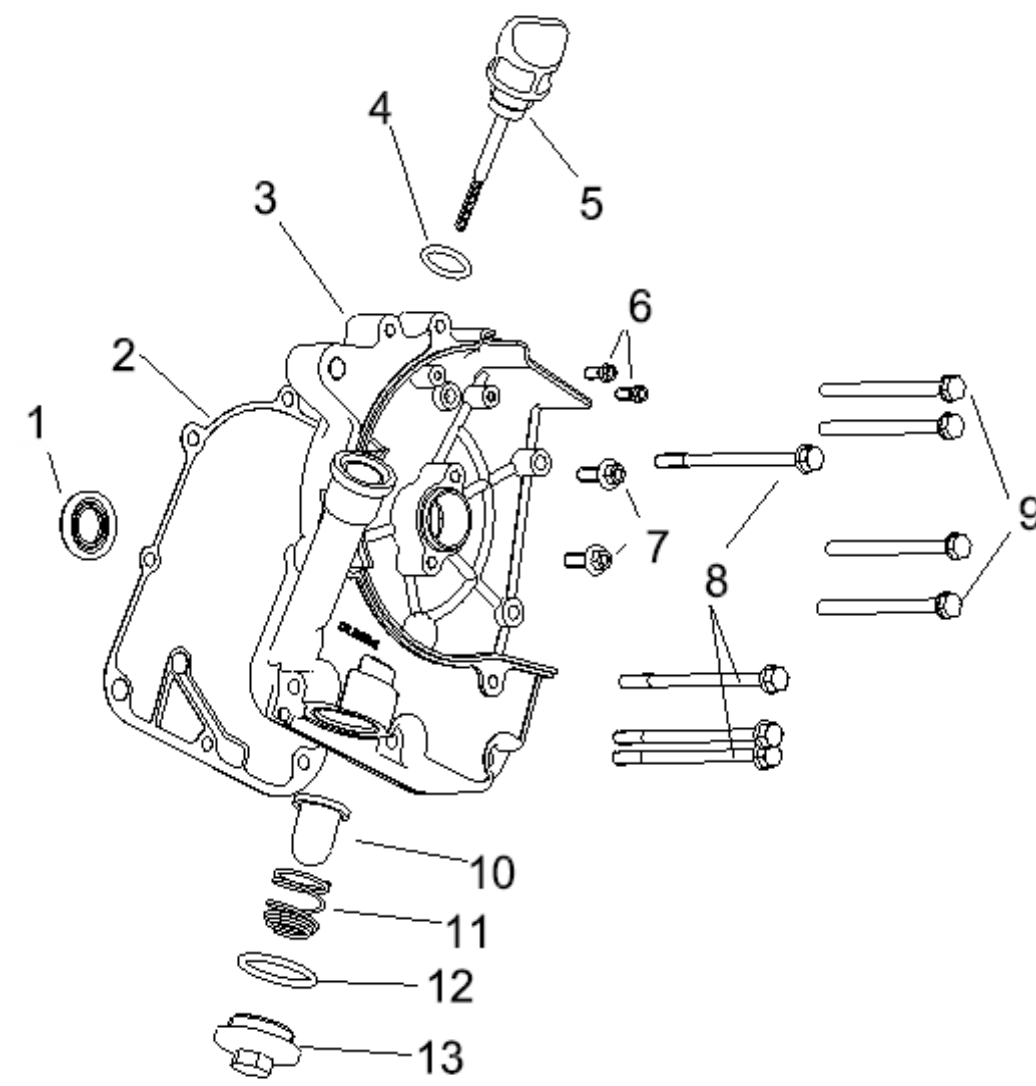
E10.GEAR CHAMBER CAP

NO.	CODE	DESCRIPTION	QTY	NOTES
1	240011270000	GASKET,GEAR CHAMBER COVER	1	
2	229041270000	INPUT DRIVE SHAFT	1	
3	B01070803564	FLANGE BOLT M8x35	5	
4	229081140000	OUTPUT DRIVE SHAFT	1	
5	229091270000	GEAR, OUTPUT DRIVE SHAFT	1	
6	220061270000	GEAR ASSY MIDDLE	1	
7	B01070804064	FLANGE BOLT M8x40	2	
8	B12016020101	BEARING	2	
9	220031140000	WASHER 12	1	
10	150113050000	SEAL RING	1	
11	B12016000400	BEARING	1	
12	240011140001	GEAR CHAMBER COVER	1	
13	B04170800052	FLANGE NUT,LOCK	1	
14	150073050000	O RING	1	
15	240031140000	PIN	1	



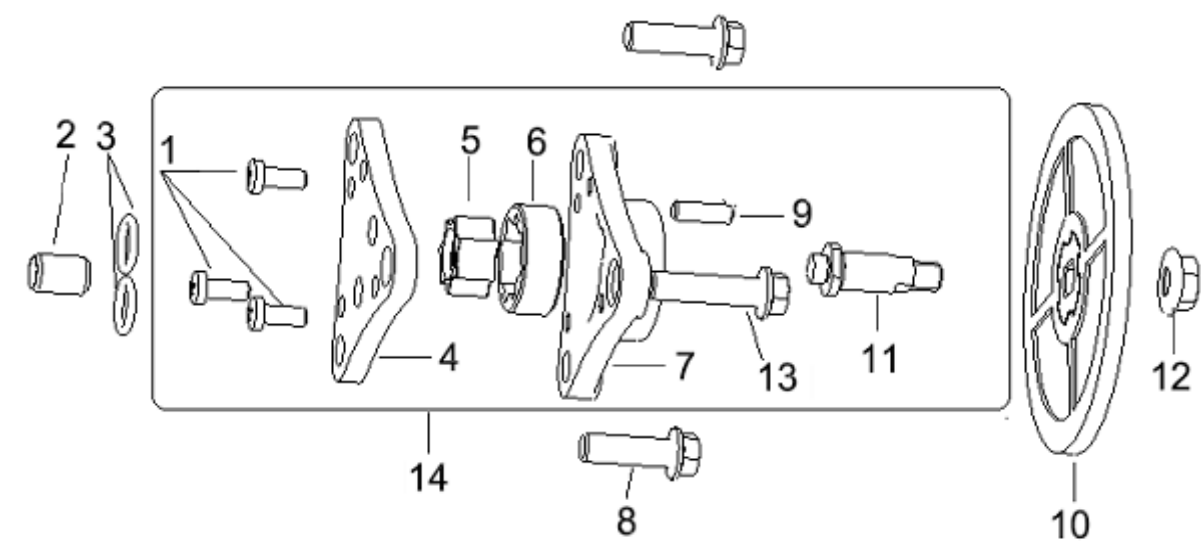
E11.CLUTCH COVER ASSY

NO.	CODE	DESCRIPTION	QTY	NOTES
1	B01070603564	FLANGE BOLT	8	
4	160161140000	FAN GEAR COMPONENTS	1	
5	160121140000	SPRING	1	
6	160021210000	BUSH	1	
7	160131140000	FRICTION PAD	1	
8	160151140000	STARTER RATCHET WELDING COMPONENTS	1	
9	160111140000	CLIP	1	
10	150092080000	IDLE GEAR	1	
11	160101140000	CIRCLIP	1	
12	160011210000	STARTER BEARINGS.	1	
13	169071270030	GASKET,CLUTCH COVER,LH	1	
14	169021140121	COVER,CLUTCH,LH SILVER MARK:KEEWAY	1	
15	160171140000	CIRCLIP	1	
16	B080100014A1	CIRCLIP	1	
17	16003305002X	CLAMP,BRAKE CABLE	1	
18	160121170000	CLIP	3	
19	160081140000	CLAMP	1	



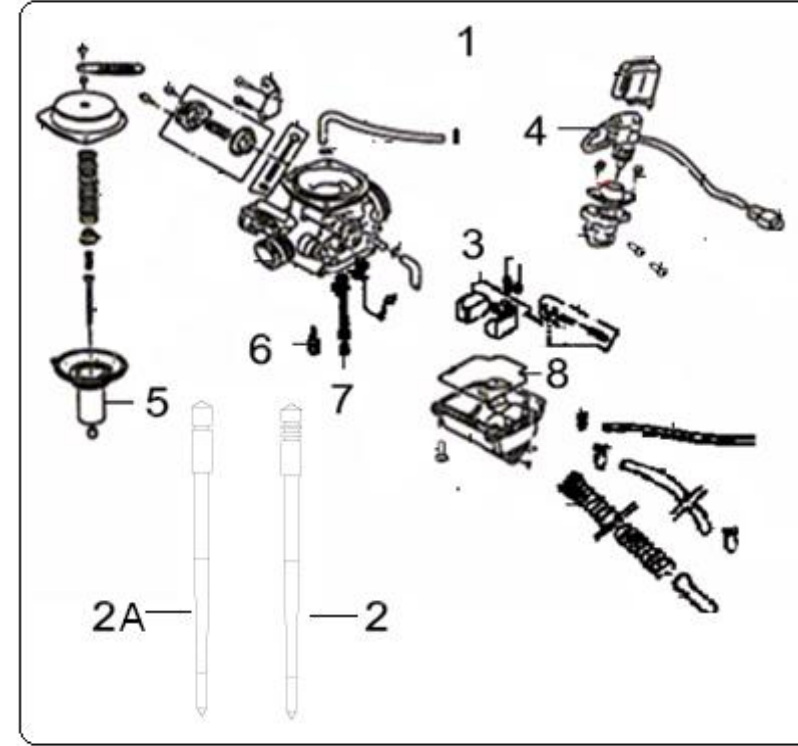
E12.COVER,RIGHT CRANKCASE

NO.	CODE	DESCRIPTION	QTY	NOTES
1	160031140000	OIL SEAL	1	
2	169111270000	PAD, COVER, R.CRANKCASE	1	
3	169101140000	COVER, R.CRANKCASE	1	for vehicle VIN before LBBB70307BB781195
3	169101140011	COVER, R.CRANKCASE	1	start VIN LBBB70307BB781195
4	160063070000	O RING 18X3.5	1	
5	169183050000	GAUGE,OIL LEVEL	1	
6	B01090501263	FLANGE BOLT M5x12	2	
7	B01070601864	FLANGE BOLT M6x18	2	
8	17001305002X	BOLT	4	
9	B01070608563	FLANGE BOLT M6x85	4	
10	150093070000	STRAINER,OIL	1	
11	160013050000	SPRING,STAINER	1	
12	160023050000	O RING	1	
13	16004305001X	PLUG,DRAIN	1	



E13.OIL PUMP ASSY

NO.	CODE	DESCRIPTION	QTY	NOTES
1	B02040400963	SCREW	3	
2	260021140000	DOWEL PIN	1	
3	260031140000	O RING	2	
4	260051140000	SEAT, OIL PUMP	1	
5	260081140000	ROTER,OIL PUMP INNER	1	
6	260022140000	ROTER,OIL PUMP OUTER	1	
7	269091140000	BODY,OIL PUMP	1	
8	B01070602063	FLANGE BOLT	2	
9	260041140000	PIN	1	
10	260011140000	GEAR,OIL PUMP DRIVEN	1	
11	269081140000	SHAFT,OIL PUMP	1	
12	B04070600054	FLANGE NUT M6	1	
13	B01070602564	FLANGE BOLT M6x25	1	
14	26900114001Z	OIL PUMP ASSY	1	



E14.CARBURETOR ASSY

NO.	CODE	DESCRIPTION	QTY	NOTES
1	3390009E0011	CARBURETOR MJ140 #,NJ12.5# mark:17	1	
2A	3324205E0321	NEEDLE,JET	1	
3	3340106E0000	FLOAT	1	
4	3360101K0000	THERMO ASSY	1	
5	3322209E0000	VALVE ASSY, PISTON	1	
6	3322105E0320	JET, IDLE 12.5#	1	
7	3311505E0321	JET, MAIN 140# mark:140A	1	
8	3351406E0000	SEAL	1	