

CATALOG CODE: 153FM-3 JCK(Q16-00)(Q16-16)-QJ125T-4A-1A(1010902.00201)

MODEL: for MODEL ARN125/150

S.P. CATALOG FOR KEEWAY ARN 125/150, 2007-2008 VER.

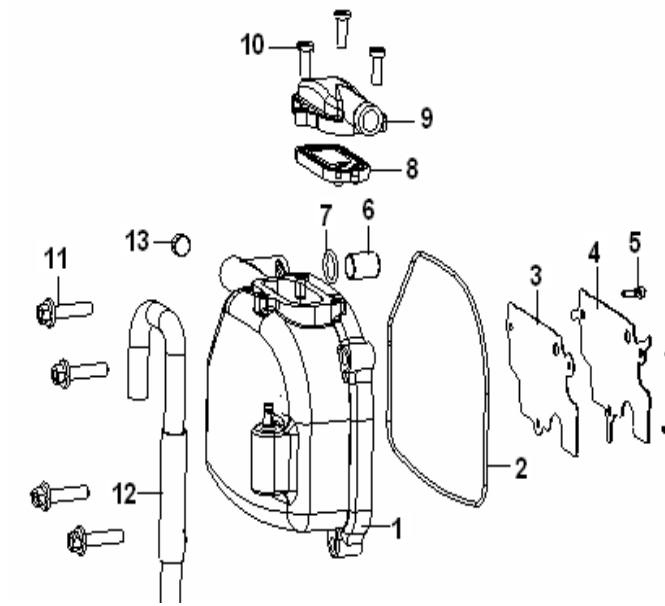
ENGINE MODEL: KW158QMJ (KW153FM-3) SAME AS ENGINE FOR ARN 125/150, FACT125/150 EXCEPT CARBURETTOR ASSY.

MARKET APPLICABLE: EEC2 & EEC3; EPA;

:C VIN NO. before TSYTEJ4A99B581247

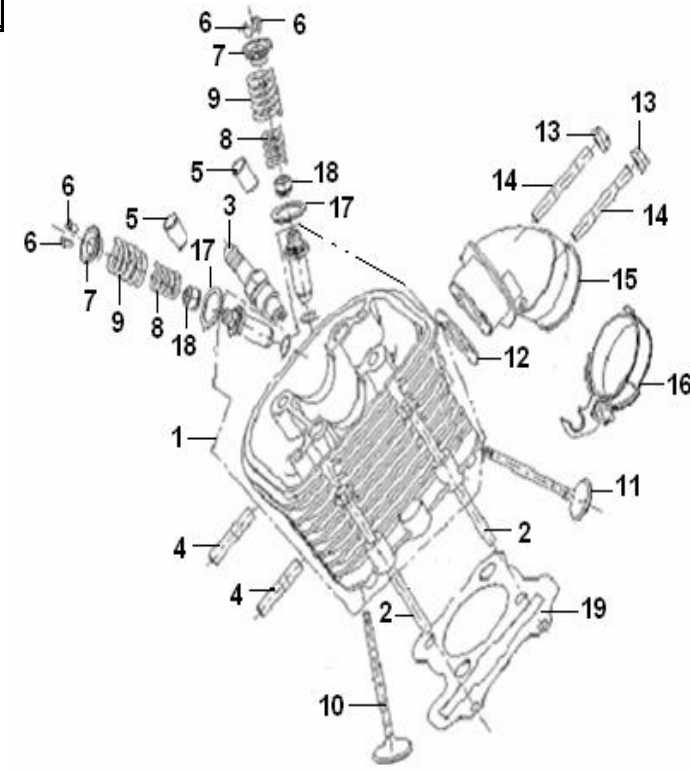
E01.2 CYLINDER HEAD COVER(Secondary air intake system) (for EEC3 & EPA market)

NO.	CODE	DESCRIPTION	QTY.	NOTES	OLD CODE
1	201300.046000	COVER ,cylinder head	1		201300. 046000
2	201329.021000	MOLD,COWLING	1		
3	201332.012000	GASKET	1		
4	201217.003000	HOLDER	1		
5	302210301062	SCREW M3X10	3		
6	26123G02F000	PIN DOWEL	1		
7	315112020062	O RING	1		
8	229108.001000	REED VALVE ASSY	1		
9	201302.006000	HOSE,BREATHER	1		
10	302270501462	SCREW M5X14	3		
11	301310602562	BOLT M6X25	4		
12	201110.004000	HOSE,breather	1		
13	201223.010000	STOPPER	1		



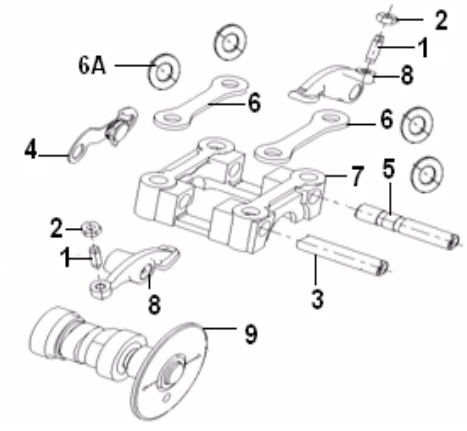
E02.CYLINDER HEAD ASSY.

NO.	CODE	DESCRIPTION	QTY.	NOTES	OLD CODE
1	201200.111000	CYLINDER HEAD(EEC3 & EPA,150cc)	1	for ARN 150 in EEC3 & EPA market	
2	30504H03F000	BOLT	2		
3	201204.014000	SPARK PLUG(CR7HSA)	1	NGK, for ALL except Q16-30, Q16-51 market	
4	201216.002472	STUD BOLT	2		201216.005472
5	27105H03F000	PIN DOWEL	2		14107J05F000
6	30108J05F000	COTTER, valve	4		
7	30106J05F930	UPPER SEAT, valve spring	2		
8	30102J05F930	SPRING, inner	2		
9	30101J05F930	SPRING, outer	2		
10	30201J05F000	EXHAUST VALVE	1		
11	30103J05F000	INLET VALVE	1		
12	30112J05F000	GASKET, insulator	1		
13	304290600065	NUT	2		
14	201216.006472	STUD BOLT	2		
15	202100.020000	INSULATOR, carburetor(secondary air intake system)	1	for EPA & EEC3 market	
16	202104.002472	CLAMP	1		
17	30105J05F000	SEAT, spring (150cc)	1	for 150cc	
18	30205H03F000	OIL SEAL	2		
19	30506K03F000	GASKET, cylinder head (150cc)	1	for 150cc	



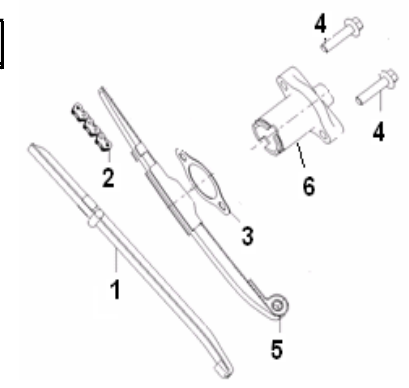
E03 AIR MIX DEVICE

NO.	CODE	DESCRIPTION	QTY.	NOTES	OLD CODE
1	30303H03F000	SCREW,tappet adjusting	2		
2	30302H03F930	NUT,tappet adjusting	2		
3	203306.013063	SHAFT,EXHAUST ROCKER ARM	1		
4	30600H03F000	PLATE, stopper	1		
5	203102.002063	ARM,inlet rocker arm	1		
6	30310J05F000	GASKET,holder	2	suggest ordering B07030000803	
6A	B07030000803	WASHER 8	4		30310J05F000
7	203406.003000	HOLDER,cam shaft (new type)	1		
8	30301J05F000	ARM,rocker	2		
9	203103.004000	CAMSHAFT ASSY (new type)	1		



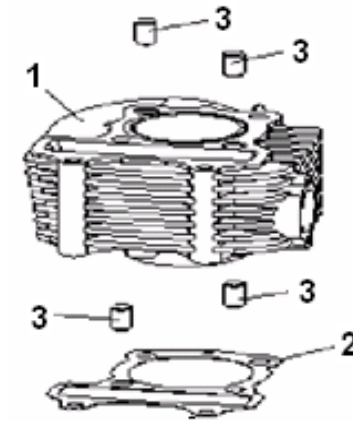
E04 CAM CHAIN & TENSIONER ASSY.

NO.	CODE	DESCRIPTION	QTY.	NOTES	OLD CODE
1	27421J05F000	GUIDE CAM CHAIN(→)	1		
2	27327J05F000	CAM CHAIN	1		
3	205300.002000	GASKET,tensioner	1		
4	B01070602563	SCREW	2		
5	27200J05F000	GUIDE ASSY.	1		
6	140043140000	TENSIONOR COMP	1		27300J05F000



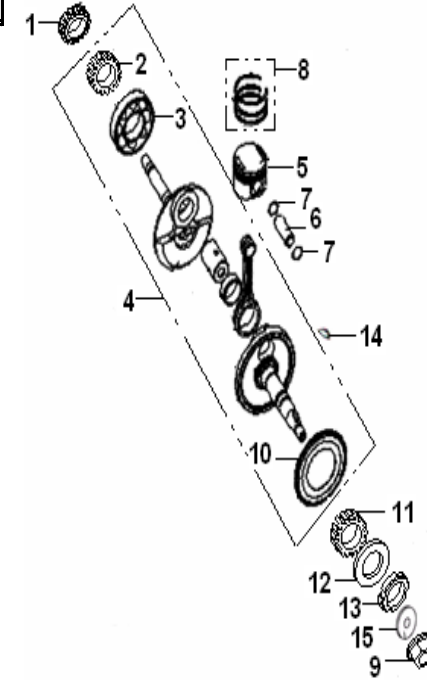
E05.2 CYLINDER ASSY(for 150cc)

NO.	CODE	DESCRIPTION	QTY.	NOTES	OLD CODE
1	27100K03F000	CYLINDER COMP (150CC)	1	for 150cc	
2	204204.026000	GASKET,cylinder (150CC)	1	for 150cc	
3	27105H03F000	PIN DOWEL	4	for 150cc	14107J05F000



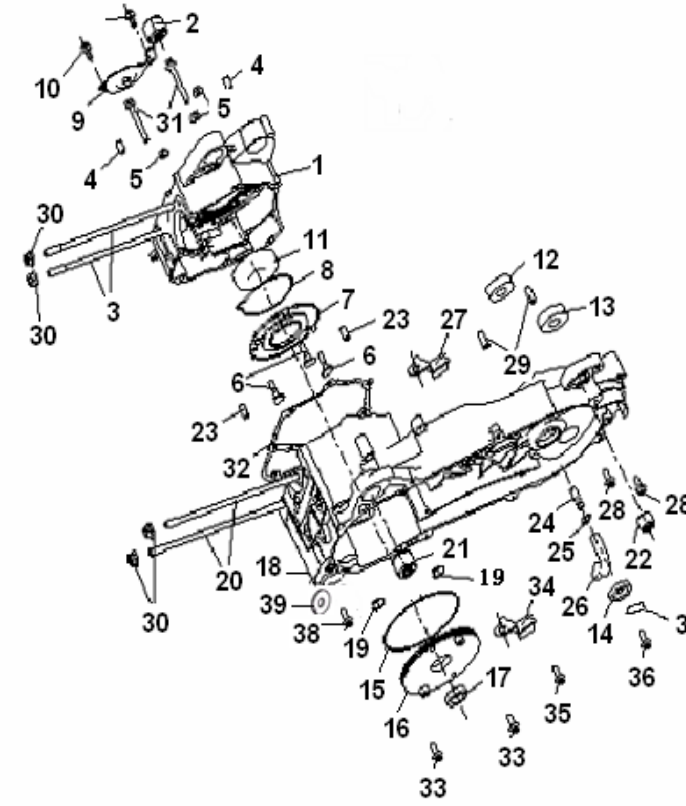
E06 CRANKSHAFT & CONNECTING ROD & PISTON ASSY

NO.	CODE	DESCRIPTION	QTY.	NOTES	OLD CODE
1	15231J05F000	GEAR,starter driven	1		
2	15232J05F000	SPROCKET,cam chain	1		
3	15210J05F000	ROLLING BEARING	1		
4	15200J05F000	CRANKSHAFT & CONROD ASSY	1		
5	208300.046062	PISTON	1	for 150cc vehicle	
6	15105K03F000	PIN,piston	1	for 150cc vehicle	
7	208308.004161	CLIP	2		
8	15120K03F000	OIL RING ASSY	1 set	for 150cc vehicle,order as per set	
9	15206J05F000	NUT,LOCK	1		
10	15227J05F000	PLATE,OIL REVERSE	1		
11	15208J05F000	SPROCKET,	1		
12	15209J05F000	FLAT WASHER	1		
13	208224.001161	NUT	1		
14	15101J01F000	KEY	1		
15	B07030001200	WASHER	1		



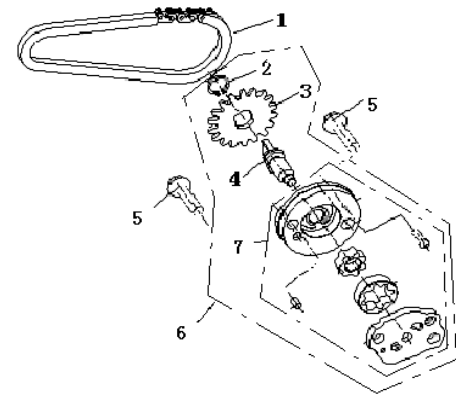
E07. CRANKCASE ASSY

NO.	CODE	DESCRIPTION	QTY.	NOTES	OLD CODE
1	26210J05F000	CRANKCASE ASSY RH	1		
2	26501H03F000	BUSH	2		
3	26206J05F910	BOLT M8X200	2		
4	14206J01F000	PIN DOWEL	2		
5	B04170000653	NUT M6	3		
6	26313J05F930	SCREW	3		
7	26314J05F910	PLATE,stainer	1		
8	26209J05F000	O RING	1		
9	26311J05F000	CAP,oil pump	1		
10	B01090601583	BOLT M6X12	2		
11	26217J05F000	ROLLER BEARING	1		
12	B12016620350	ROLLER BEARING 6203/P6	1		
13	B12016620250	ROLLER BEARING 6202/P6	1		
14	26106H03F000	OIL SEAL	1		
15	26102G03F000	O RING	1		
16	26101J05F000	COVER LH,small	1		
17	26130J05F000	OIL SEAL	1		
18	26110J05F000	CRANKCASE ASSY	1		
19	B190100570A0	O RING 5.7X1.8	2		26116G03F000
20	26107J05F910	BOLT M8	2		
21	26501H03F000	BUSH	1		
22	26502G02F000	BUSH,ENGINE MOUNTING	1		
23	26128J05F000	PIN DOWEL 8X20	2		
24	26105J05F000	PIPE,breather	1		
25	201227.002371	CLIP	1		
26	26402J05F000	HOSE,breather	1	for 150cc	
27	207224.003472	CLIP	1		
28	B01090801583	BOLT M8X15	2		
29	26123G02F000	PIN DOWEL 12X16	2		
30	B04070000853	NUT M8	4		
31	B01090605083	BOLT M6X50	2		
32	206210.001000	GASKET,crankcase	1		
33	301310601865	BOLT M6X18	2		
34	216216.001271	PLATE,stopper	1		
35	B01070601463	BOLT M6X14	1		
36	B01890801563	SCREW M8X15	2		
37	18105H03F000	WASHER	2		
38	206211.002472	BOLT,DRAIN PLUG	1		
39	20761K08F000	GASKET,ANTI_OIL	1		



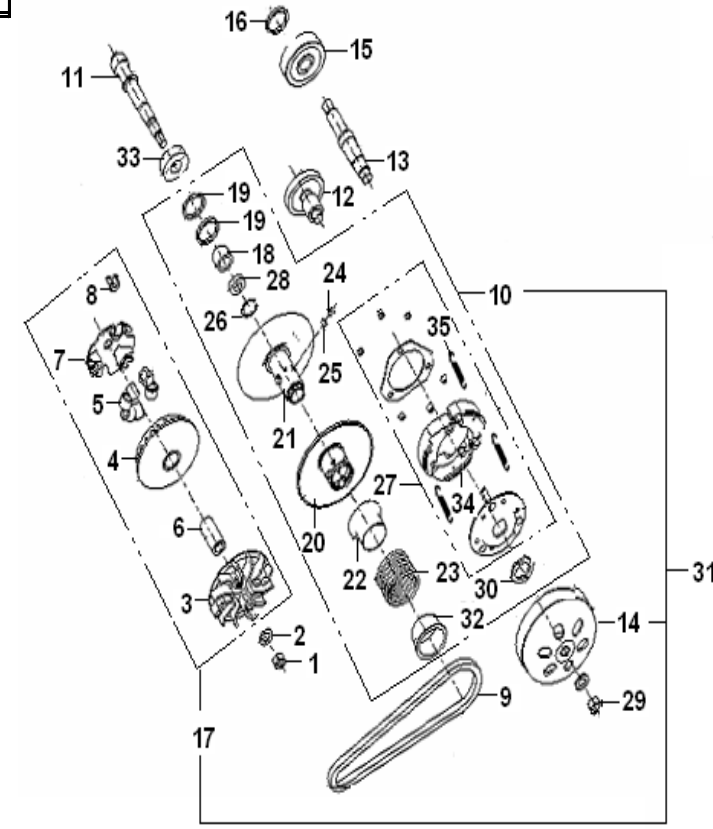
E08 OIL PUMP ASSY

NO.	CODE	DESCRIPTION	QTY.	NOTES	OLD CODE
1	19114J05F000	CHAIN OIL PUMP	1		
2	B08010001000	WASHER	1		
3	19110J05F000	SPROCKET,oil pump driven	1		
4	19107J05F000	SHAFT,oil pump	1		
5	301310602565	BOLT M6X25	2		
6	19000J05F000	OLL PUMP ASSY	1		
7	219100.029000	OLL PUMP BODY ASSY	1		



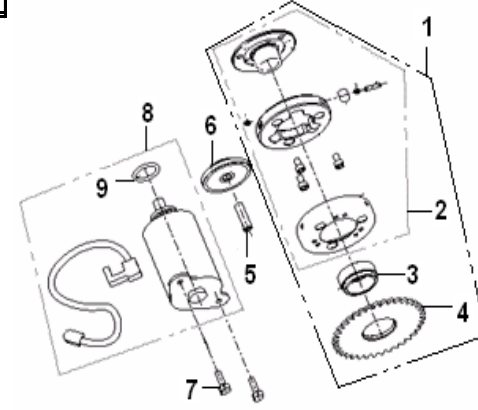
E09. CLUTCH ASSY

NO.	CODE	DESCRIPTION	QTY.	NOTES	OLD CODE
1	15206H03F000	NUT	1		
2	15209H03F000	WASHER	2		
3	24111J05F000	FACE, fixed drive	1		
4	24101J05F000	FACE COMP, fixed drive	1		
5	24120J05F000	ROLLER(11.5g)	1 set 6 pieces/set		
6	24140J05F000	COLLAR	1		
7	24151J05F930	PLATE, movable drive	1		
8	24130J05F000	DAMPER	3		
9	24160J05F000	V BELT, drive	1		
10	24210J05F000	DRIVEN PLATE ASSY	1		
11	214300.003000	SHAFT ,drive (16 teeth)	1	old type before June, 2008. used with shaft idle (40 teeth)	
11	229043060000	SHAFT ,drive (15 teeth)	1	new type after June, 2008. used with shaft idle (42 teeth)	
12	214103.009000	SHAFT ,idle (40teeth)	1	old type before June, 2008. used with shaft drive (16 teeth)	
12	229063060000	SHAFT ,idle (42 teeth)	1	new type after June, 2008. used with shaft drive (15 teeth)	
13	17201J05F000	SHAFT, rear axle	1		
14	24230H03F000	HOUSING, clutch	1		
15	17217J05F000	GEAR	1		
16	B08010002000	CIRCLIP	1		
17	24100J05F000	DRIVE ASSY	1		
18	24203J05F000	BEARING	1		
19	24216H03F000	OIL SEAL	2		
20	24211H03F000	FACE, movable driven	1		
21	24212J05F000	FACE COMP, fixed driven	1		
22	24213H03F930	SEAT, spring	1		
23	24240H03F000	SPRING	1		
24	24246H03F000	AXLE	3		
25	24217H03F000	BEARING	3		
26	B08000002600	CIRCLIP	1		
27	24220H03F000	PLATE ASSY, driven	1		
28	24245H03F000	BEARING NSE NACHI JAPAN	1		
29	18330H03F930	NUT	1		
30	24242H03F000	NUT	1		
31	24001J05F000	SHIFT ASSY	1		
32	24244H03F000	SEAT, spring	1		
33	B12016620450	BEARING	1		
34	24231H03F000	SHOE, CLUTCH	3		
35	24224H03F000	SPRING, CLUTCH	3		



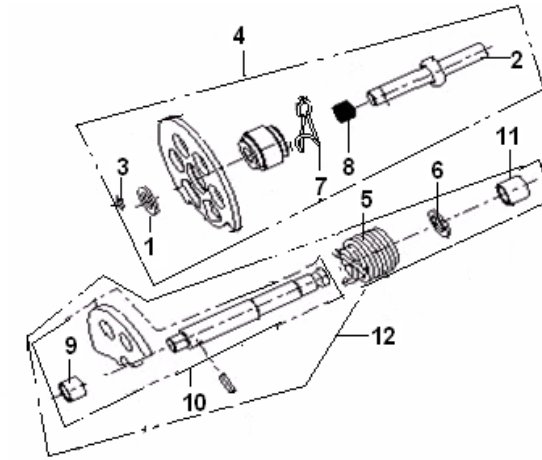
E10 ELECTRIC STARTER ASSY

NO.	CODE	DESCRIPTION	QTY.	NOTES	OLD CODE
1	34400J05F000	CLUTCH SET,starter	1		
2	34110J05F000	CLUTCH COMP	1		
3	34124H03F000	BEARING,needle	1		
4	218100.011371	GEAR COMP,starter clutch	1		
5	34146J05F000	SHAFT,shaft starter idle gear	1		
6	34141J05F000	GEAR,starter idle	1		
7	301310601865	BOLT M6X18	2		
8	218100.011472	STARTER MOTOR ASSY.	1	for all the 150cc vehicles and <u>125cc in EEC3 market</u>	
9	34254J05F000	O RING	1		



E11 KICK STARTER ASSY

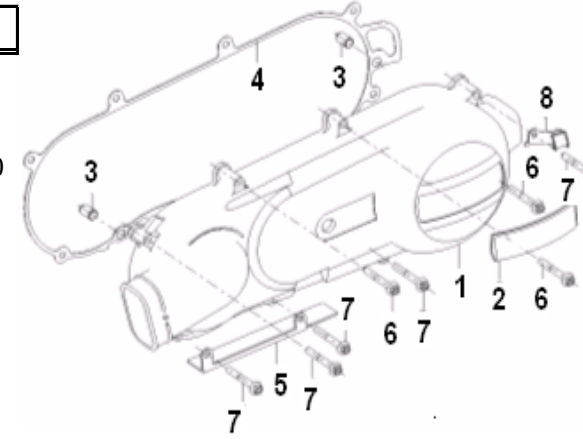
NO.	CODE	DESCRIPTION	QTY.	NOTES	OLD CODE
1	17805H03F000	WASHER	1		
2	17811J05F000	GEAR SHAFT	1		
3	B090103008B0	PIN	1		
4	17806J05F000	GEAR ASSY, starter	1		
5	17718J05F930	TWEAK SPRING	1		
6	17402H03F000	PLATE	1		
7	17809H03F000	SPRING	1		
8	17412H03F000	SPRING	1		
9	17433H03F000	BEARING COVER, starter I	1		
10	17400J05F000	SHAFT ASSY, starter	1		
11	17434H03F000	BEARING COVER, starter II	1		
12	216100.023000	KICK STARTER ASSY	1	for all markets	



E12 LEFT COVER ASSY

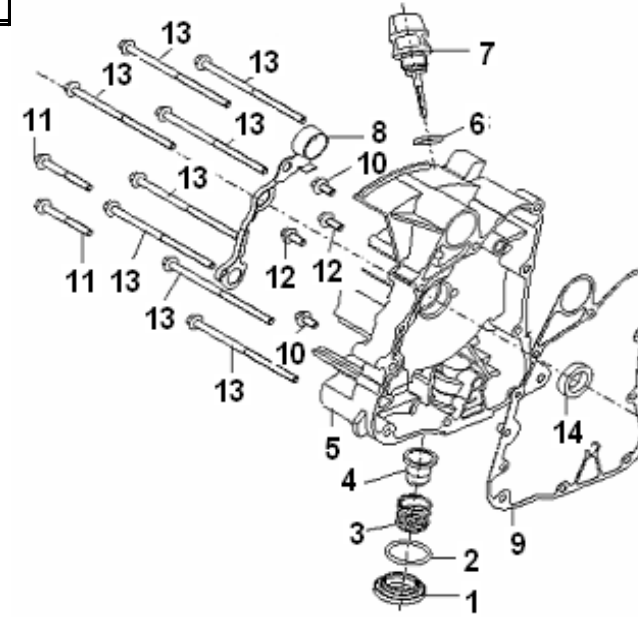
NO.	CODE	DESCRIPTION	QTY.	NOTES	OLD CODE
1	207200.018081	COVER,CLUTH	1	for ALL except Q17-08 Morocco market	
2	207236.020472	SIGN CARDS	1		
3	27105H03F000	PIN DOWEL	2		
4	207208.007000	GASKET,cankcase LH	1		
5	207225.004472	PLATE,protector	1		
6	301310604565	BOLT	3		
7	301310603565	BOLT	5		
8	222218.003472	CLIP	1		

14107J05F000



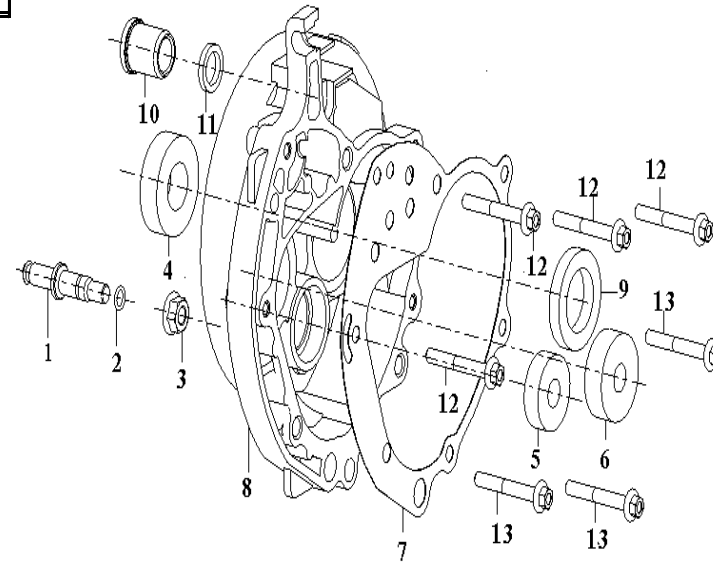
E13 COVERCASE RH ASSY

NO.	CODE	DESCRIPTION	QTY.	NOTES	OLD CODE
1	26306H03F000	PLUG,drain	1		
2	26307H03F000	O RING 30.8X3.2	1		
3	26305H03F000	SPRING,stainer	1		
4	26308J01F000	STRAINER,oil	1		
5	14201J05F000	COVER,crankcase RH	1		
6	14215J01F000	O RING	1		
7	207304.008081	GAUGE,oil level	1		
8	14220J05F910	CLIP	1		
9	207303.008000	GASKET,crankcase cover RH	1		
10	B01090601263	BOLT	2		
11	B01080501263	BOLT	2		
12	B01070602063	BOLT	2		
13	30504H03F000	BOLT	8		
14	26130J05F000	OIL SEAL	1		



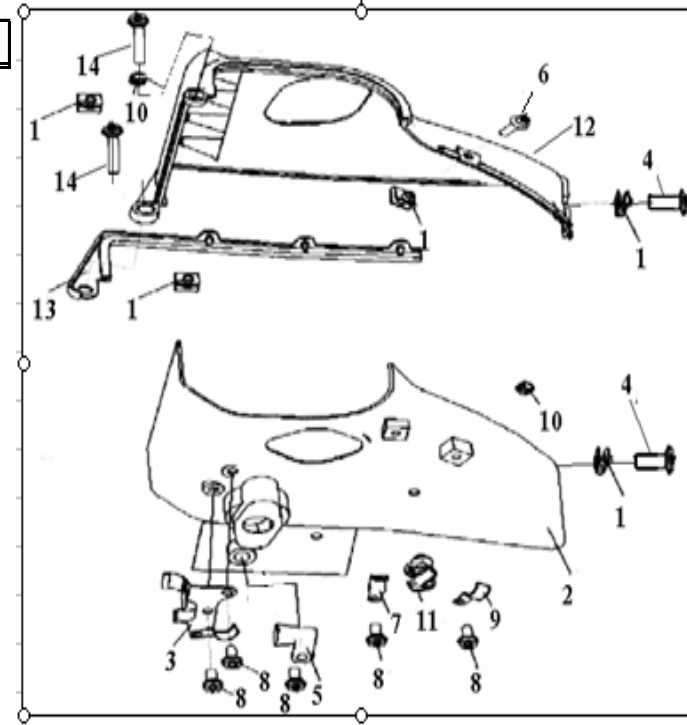
E14 COVER GEAR BOX ASSY

NO.	CODE	DESCRIPTION	QTY.	NOTES	OLD CODE
1	18114J05F930	PIN	1		
2	18112H03F000	O RING	1		
3	B04170000853	NUT	1		
4	B12016600450	ROLLER BEARING	1		
5	B12016620150	ROLLER BEARING	1		
6	B12016630150	ROLLER BEARING	1		
7	214201.002000	GASKET,gear box	1		
8	18101J05F000	COVER,gear box	1		
9	18102H03F000	OIL SEAL	1		
10	18103J05F000	BUSH	1		
11	18106J05F000	OIL SEAL	1		
12	301310604565	BOLT	4		
13	B01070605561	BOLT	3		



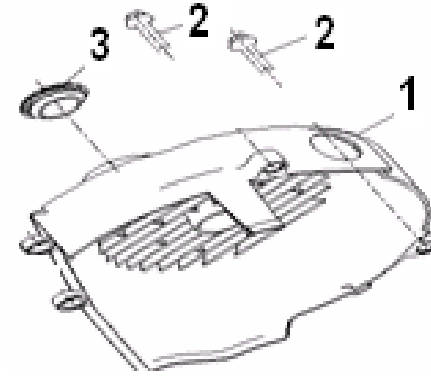
E15 SHROUD ASSY

NO.	CODE	DESCRIPTION	QTY.	NOTES	OLD CODE
1	20312J05F910	CLIP	4		
2	222101.005000	SHROUD,upper(for secondary air intake system)	1	for EEC3 & EPA(North America) market	
3	20308J05F000	CLIP ASSY.	1		
4	B01090601663	SCREW M6X16	2		
5	222218.002472	CLIP	1		
6	B01090601463	SCREW M6X14	1		
7	222218.003472	CLIP	1		
8	B01090602563	SCREW	5		
9	222218.004472	CLIP	1		
10	222223.002000	DOWEL(for secondary air intake system)	2	for EEC3 & EPA(North America) market	
11	20313J05F000	NENON CLIP	1		
12	222102.005000	SHROUD,lower (for secondary air intake system)	1	for EEC3 & EPA(North America) market	
13	20306J05F000	SEAL,lower shroud	1		
14	B01090602063	SCREW	2		



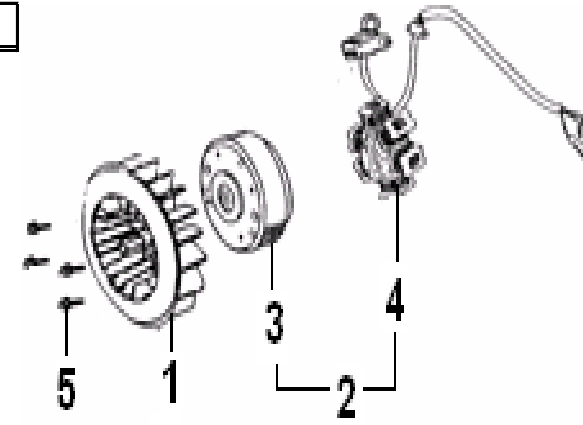
E16 COVER FAN ASSY

NO.	CODE	DESCRIPTION	QTY.	NOTES	OLD CODE
1	20201J05FT10	COVER,fan	1		
2	B01890602563	SCREW	2		
3	20204J05F000	CAP,OBSERVE	2		



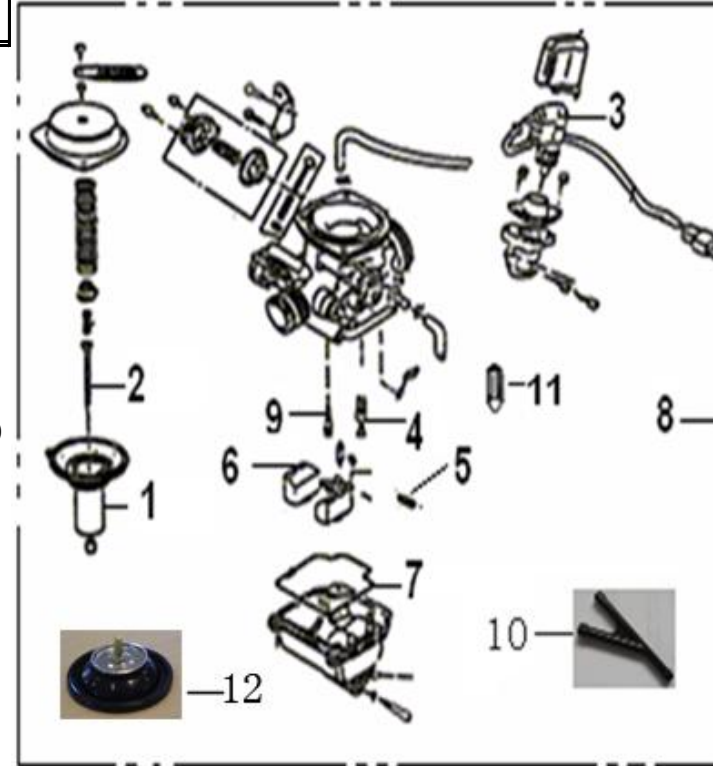
E17 MAGNETO ASSY

NO.	CODE	DESCRIPTION	QTY.	NOTES	OLD CODE
1	20401J05F000	FAN ASSY	1		
2	223100.004000	MAGNETO ASSY(battery ignition,12 poles)	1	12poles used before 2007-10-25	
3	34301J05F000	FLY WHEEL ASSY(battery ignition,12 poles)	1	12poles used before 2007-10-25	
4	34310J05F000	COIL ASSY(battery ignition,12 poles)	1	12poles used before 2007-10-25	
2	223100010000	MAGNETO ASSY (battery ignition, 18poles)	1	New type aunched on 2007-10-25Put to use with new Regulator	
3	223101.036000	FLY WHEEL ASSY (battery ignition, 18poles)	1	New type aunched on 2007-10-25Put to use with new Regulator	
4	223102.041000	COIL ASSY (battery ignition, 18poles)	1	New type aunched on 2007-10-25Put to use with new Regulator	
5	B01080601863	BOLT M6X18	4		



E18 CARBURETOR ASSY

NO.	CODE	DESCRIPTION	QTY.	NOTES	OLD CODE
1	32506H03F000	VALVE,PISTON ASSY	1		32506J05F000
2	224208.029000	NEEDLE JET	1	for EPA market	
3	32612H03F000	ENRICH VALVE	1		
4	224202.060000	MAIN JET 206#	1	Only for 150cc in EPA(North America) market	
5	32621H03F000	FLOAT PIN	1		
6	32624H03F000	FLOAT	1		
7	32701H03F000	GASKET,float chamber	1		
8	224100.086000	CARBURETOR ASSY(206# main jet, EPA)	1	for 150cc in EPA(North America) market	
9	224203.038000	Main Jet (30#)	1	for ALL Ex EEC3 market	32618H03F000
10	3316801K0000	VALVE, LINK	1		
11	3342001K0000	VALVE NEEDLE	1		
12	32501J05F000	VALVE SET, AIR CUT	1		



E19 ENGINE ATTACHMENT

NO.	CODE	DESCRIPTION	QTY.	NOTES	OLD CODE
1	B01020602065	BOLT 6X20MM	1		
2	08350J4AT000	LEVER, STARTER	1		

