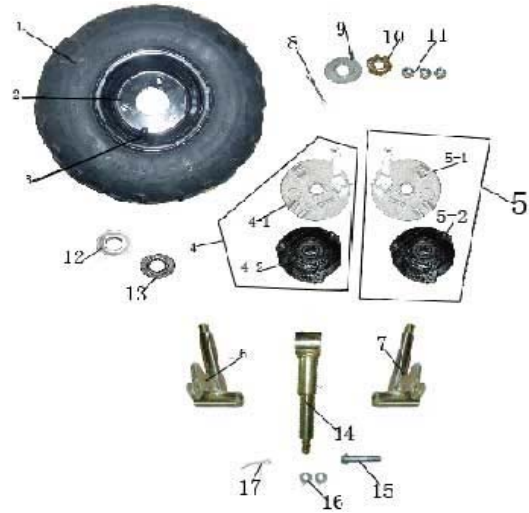


AT50SS-TR



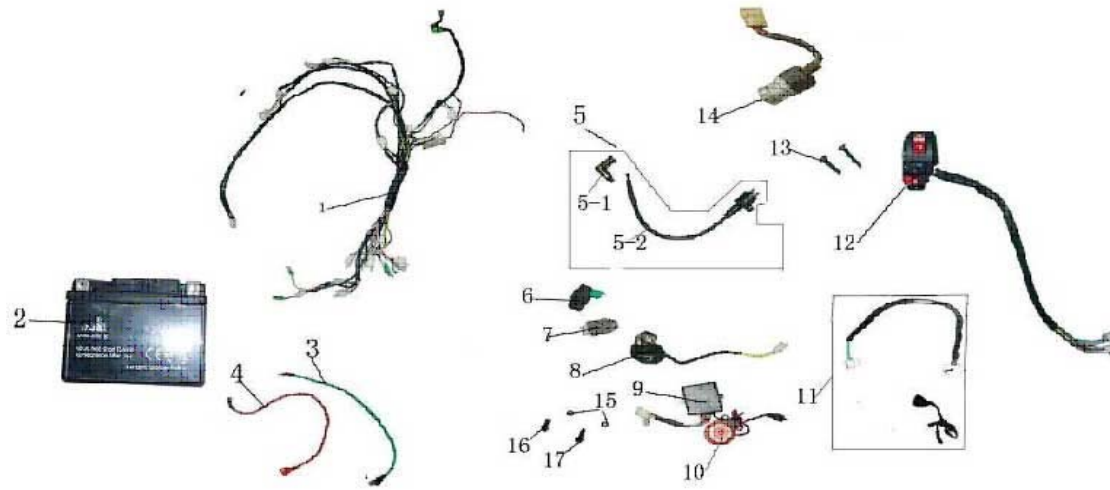
AT50



Baja
Motorsports

| Item No. | Part No. | Description | Qty |
|----------|----------|------------------------|-----|
| 1 | AT50-100 | FRONT TYRE | 2 |
| 2 | AT50-101 | FRONT WHEEL HUB | 2 |
| 3 | AT50-102 | INFLATING VALVE | 2 |
| 4 | AT50-103 | LEFT DRUM BRAKE ASSY. | 1 |
| 4—1 | AT50-104 | LEFT DRUM COVER | 1 |
| 4—2 | AT50-105 | LEFT BRAKE DRUM | 1 |
| 5 | AT50-106 | RIGHT DRUM BRAKE ASSY. | 1 |
| 5—1 | AT50-107 | RIGHT DRUM COVER | 1 |
| 5—2 | AT50-108 | RIGHT BRAKE DRUM | 1 |
| 6 | AT50-109 | LEFT UNIVERSIAL JOINT | 1 |
| 7 | AT50-110 | RIGHT UNIVERSIAL JOINT | 1 |
| 8 | AT50-111 | COTTER PIN | 2 |
| 9 | AT50-112 | FLAT CUSHION | 2 |
| 10 | AT50-113 | SLOTTED NUT | 2 |
| 11 | AT50-114 | LOCK NUT | 6 |
| 12 | AT50-115 | BEARING, FRONT WHEEL | 2 |
| | | | |
| | | | |
| | | | |

AT50



Baja
Motorsports

| Item No. | Part No. | Description | Qty. |
|----------|----------|--------------------------------|------|
| 1 | AT50-121 | MAIN HARNESS | 1 |
| 2 | AT50-122 | BATTERY | 1 |
| 3 | AT50-123 | NEGATIVE ELECTRODE WIRE(GREEN) | 1 |
| 4 | AT50-124 | POSITIVE ELECTRODE WIRE(RED) | 1 |
| 5 | AT50-125 | IGNITION COIL ASSY. | 1 |
| 5-1 | | SPARK PLUG CAP | 1 |
| 5-2 | | IGNITION COIL | 1 |
| 6 | AT50-128 | IGNITION | 1 |
| 7 | AT50-129 | RECTIFIER | 1 |
| 8 | AT50-130 | RELAY | 1 |
| 9 | AT50-131 | ALARM | 1 |
| 10 | AT50-132 | ALARMING HORN | 1 |
| 11 | AT50-133 | FLAMEOUT ASSY. | 1 |
| 12 | AT50-134 | LEFT SWITCH ASSY. | 1 |
| 13 | AT50-135 | BOLT, LEFT SWITCH ASSY. | 2 |
| 14 | AT50-136 | IGNITION LOCK | 1 |
| | | | |
| | | | |
| | | | |

AT50



Baja
Motorsports

| Item No. | Part No. | Description | Qty. |
|----------|----------|---------------------------|------|
| 1 | AT50-140 | ENGINE | 1 |
| 2 | | CARBURETOR | 1 |
| 3 | | INLET PIPE | 1 |
| 4 | AT50-143 | BAKELITE CUSHION | 1 |
| 5 | AT50-144 | CLIP,FUEL TUBE | 1 |
| 6 | AT50-145 | AIR CLEANER | 1 |
| 7 | AT50-146 | EXHAUST CLEANER | 1 |
| 8 | AT50-147 | FLANGE BOLT | 4 |
| 9 | AT50-148 | FUEL TUBE | 1 |
| 10 | AT50-149 | FLANGE BOLT | 1 |
| 11 | AT50-150 | FLANGE BOLT | 1 |
| 12 | AT50-151 | SELF-LOCK NUT | 2 |
| 13 | AT50-152 | SPRING CUSHION | 2 |
| 14 | AT50-153 | PAPER CUSHION, INLET PIPE | 1 |
| 15 | AT50-154 | FILTER | 1 |
| | | | |
| | | | |
| | | | |
| | | | |

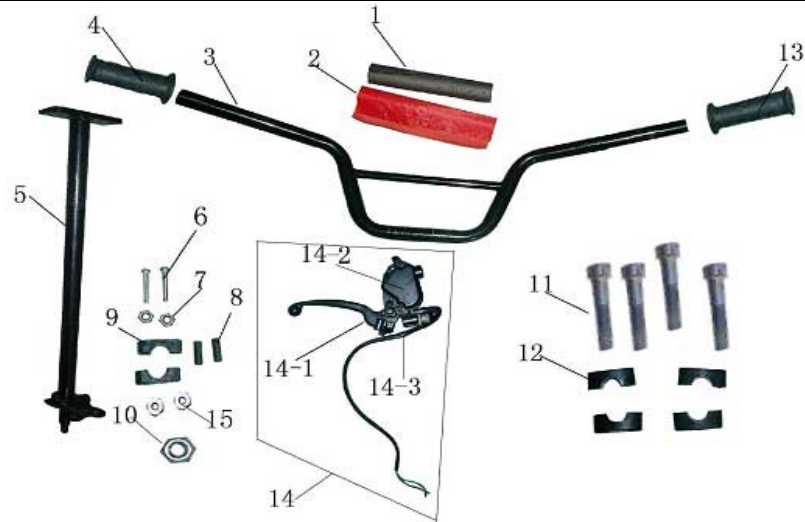
AT50



Baja
Motorsports

| Item No. | Part No. | Description | Qty. |
|----------|----------|------------------------|------|
| 1 | AT50-193 | MUFFLER ASSY. | 1 |
| 2 | AT50-194 | WELDING COMP., MUFFLER | 1 |
| 3 | AT50-195 | TAIL COVER, MUFFLER | 1 |
| 4 | AT50-196 | GULP VALVE ASSY. | 1 |
| 4-1 | AT50-197 | GULP VALVE | 1 |
| 4-2 | AT50-198 | FILTER,GULP VALVE | 1 |
| 4-3 | AT50-199 | FILL PIPE | 1 |
| 5 | AT50-200 | CUSHION, GULP VALVE | 1 |
| 6 | AT50-201 | SPRING CUSHION | 2 |
| 7 | AT50-202 | HEXAGON BOLT | 2 |
| 8 | AT50-203 | SELF-LOCK NUT | 2 |
| 9 | AT50-204 | SPRING CUSHION | 3 |
| 10 | AT50-205 | FLANGE BOLT | 3 |
| 11 | AT50-206 | SELF-LOCK NUT | 1 |
| 12 | AT50-207 | FLAT CUSHION | 1 |
| 13 | AT50-208 | SPRING CUSHION | 1 |
| | | | |
| | | | |
| | | | |

AT50



Baja
Motorsports

| Item No. | Part No. | Description | Qty. |
|----------|----------|--|------|
| 1 | AT50-227 | PROTECTIVE SPONGE TUBE,HANDLE BAR TUBE | 1 |
| 2 | AT50-228 | SPONGE-STICK CLOTH,HANDLE BAR TUBE | 1 |
| 3 | AT50-229 | HANDLE BAR PIPE | 1 |
| 4 | AT50-230 | RIGHT GRIP,HANDLE BAR | 1 |
| 5 | AT50-231 | TURNING STEM | 1 |
| 6 | AT50-232 | HEXAGON BOLT | 2 |
| 7 | AT50-233 | LOCK NUT | 2 |
| 8 | AT50-234 | FOLDER BLOCK SPACER,TURNING STEM | 2 |
| 9 | AT50-235 | FOLDER BLOCK,TURNING STEM | 2 |
| 10 | AT50-236 | LOCK NUT | 1 |
| 11 | AT50-237 | INSIDE HEXAGON BOLT | 4 |
| 12 | AT50-238 | UPPER & DOWN HOUSING,HANDLEBAR | 4 |
| 13 | AT50-239 | LEFT GRIP,HANDLE BAR | 1 |
| 14 | AT50-240 | FRONT BRAKE | 1 |
| 14—1 | AT50-241 | FRONT BRAKE LEVER | 1 |
| 14—2 | AT50-242 | THROTTLE SWITCH | 1 |
| 14—3 | AT50-243 | SWITCH CABLE, FRONT BRAKE | 1 |
| 15 | AT50-244 | FLAT CUSHION | 2 |

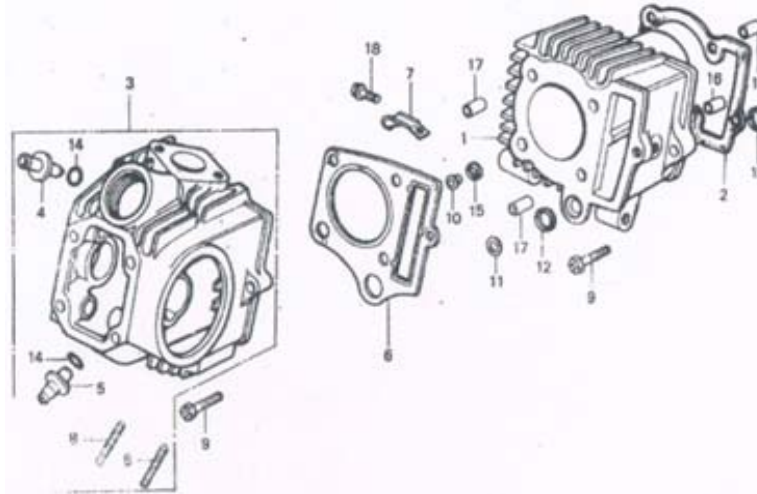
AT50



Baja
Motorsports

| Item No. | Part No. | Description | Qty. |
|----------|----------|-------------------------|------|
| 1 | AT50-249 | REAR WHEEL SHAFT | 1 |
| 2 | AT50-250 | REAR AXLE TUBE | 1 |
| 3 | AT50-251 | FLANGE BOLT | 4 |
| 4 | AT50-252 | BEARING,REAR AXLE | 2 |
| 5 | AT50-253 | SPACER,REAR AXLE | 1 |
| 6 | AT50-254 | SPRING CUSHION | 2 |
| 7 | AT50-255 | FLANGE BOLT | 4 |
| 8 | AT50-256 | REAR PROTECTION SUPPORT | 1 |
| 9 | AT50-257 | LOCK NUT | 4 |
| 10 | AT50-258 | CHAIN COVER | 1 |
| 11 | AT50-259 | BIG THUMB-HEAD BOLT | 2 |
| 12 | AT50-260 | RUBBER CUSHION | 2 |
| 13 | AT50-261 | LOCK NUT | 2 |
| 14 | AT50-262 | PLAIN NUT | 2 |
| 15 | AT50-263 | REAR SPROCKET | 1 |
| 16 | AT50-264 | CHAIN | 1 |
| | | | |
| | | | |
| | | | |

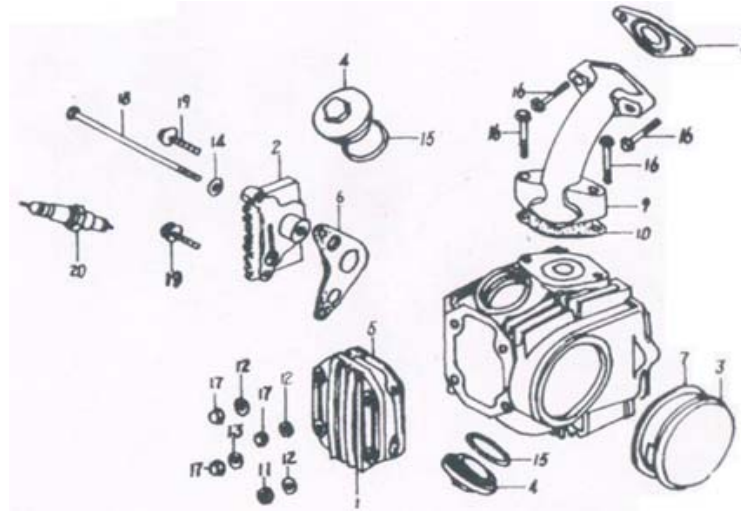
AT50



Baja
Motorsports

| Item No. | Part No. | Description | Qty. |
|----------|----------|----------------------------------|------|
| 1 | AT50-292 | CYLINDER BLOCK | |
| 2 | AT50-293 | GASKET,CYLINDER BLOCK | |
| 3 | AT50-294 | CYLINDER HEAD COMPONENT | |
| 4 | AT50-295 | INLET VAVLE GUIDE | |
| 5 | AT50-296 | EXHAUST VAVLE GUIDE | |
| 6 | AT50-297 | GASKET COMPONENT,CYLINDER BLOCK | |
| 7 | AT50-298 | RETAINING CLIP,HIGH VOLTAGE WIRE | |
| 8 | AT50-299 | THREADED STUD | |
| 9 | AT50-300 | BOLT | |
| 10 | AT50-301 | BUSH | |
| 11 | AT50-302 | BUSH | |
| 12 | AT50-303 | RECTANGLE SEAL RING | |
| 13 | AT50-304 | RECTANGLE SEAL RING | |
| 14 | AT50-305 | O RING | |
| 15 | AT50-306 | SEAL RING | |
| 16 | AT50-307 | LOCATING PIN | |
| 17 | AT50-308 | LOCATING PIN | |
| 18 | AT50-309 | BOLT | |
| | | | |

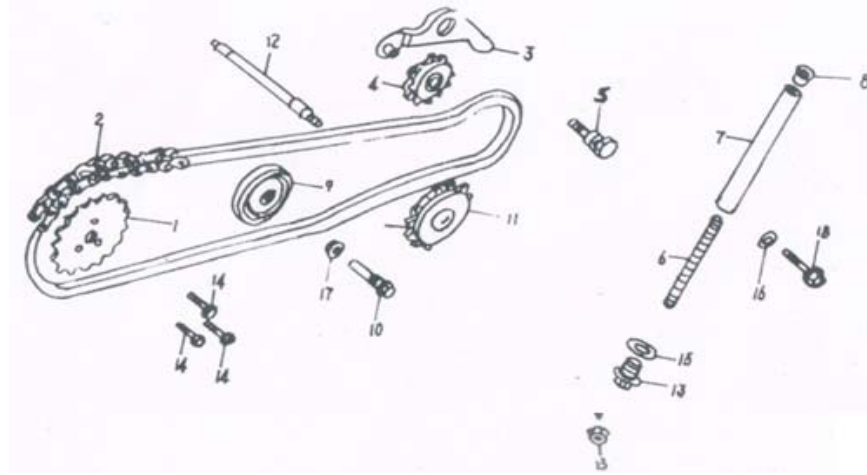
AT50



Baja
Motorsports

| Item No. | Part No. | Description | Qty. |
|----------|----------|----------------------------------|------|
| 1 | AT50-310 | CYLINDER HEAD COVER | 1 |
| 2 | AT50-311 | RIGHT COVER,CYLINDER HEAD | 1 |
| 3 | AT50-312 | LEFT COVER,CYLINDER HEAD | 1 |
| 4 | AT50-313 | VALVE COVER | 2 |
| 5 | AT50-314 | GASKET,CYLINDER HEAD COVER | 1 |
| 6 | AT50-315 | GASKET,RIGHT COVER,CYLINDER HEAD | 1 |
| 7 | AT50-316 | GASKET,LEFT COVER,CYLINDER HEAD | 1 |
| 8 | AT50-317 | GASKET,CARBULETOR | 1 |
| 9 | AT50-318 | INTAKE PIPE | 1 |
| 10 | AT50-319 | GASKET,INTAKE PIPE | 1 |
| 11 | AT50-320 | NUT M6 | 3 |
| 12 | AT50-321 | WASHER | 1 |
| 13 | AT50-322 | WASHER | 1 |
| 14 | AT50-323 | WASHER | 2 |
| 15 | AT50-324 | O RING | 2 |
| 16 | AT50-325 | BOLT 92140-06018 | 4 |
| | | | |
| | | | |
| | | | |

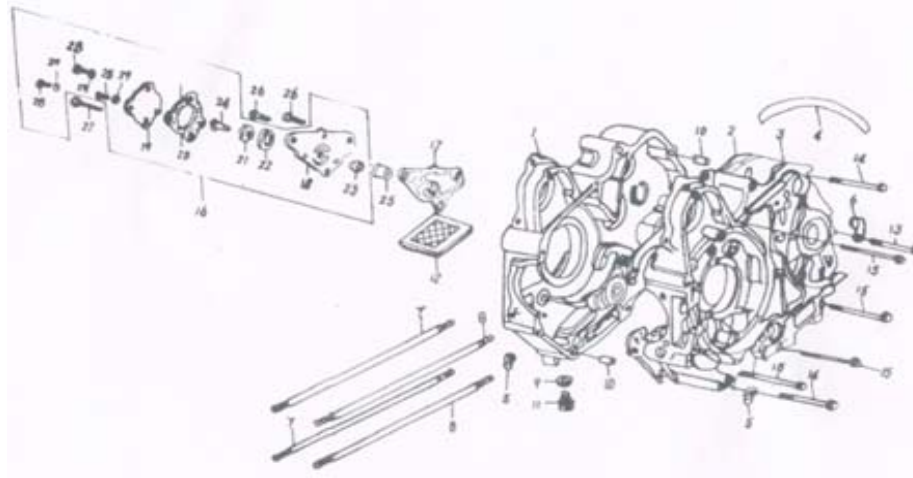
AT50



Baja
Motorsports

| Item No. | Part No. | Description | Qty. |
|----------|----------|----------------------------------|------|
| 1 | AT50-343 | TIMING DRIVEN SPROCKET | 1 |
| 2 | AT50-344 | TIMING CHAIN | 1 |
| 3 | AT50-345 | CHAIN TENSIONING ARM COMPONENT | 1 |
| 4 | AT50-346 | TROLLEY,CHAIN TENSIONING | 1 |
| 5 | AT50-347 | CENTER AXLE,CHAIN TENSIONING ARM | 1 |
| 6 | AT50-348 | SPRING,CHAIN TENSIONING ROD | 1 |
| 7 | AT50-349 | CHAIN TENSIONING ROD COMPONENT | 1 |
| 8 | AT50-350 | CHAIN TENSIONING ROD HEAD | 1 |
| 9 | AT50-351 | CHAIN GUIDE ROLLER COMPONENT | 1 |
| 10 | AT50-352 | GUAIDE ROLLER PIN AXLE | 1 |
| 11 | AT50-353 | DRIVE SPROCKET,OIL PUMP | 1 |
| 12 | AT50-354 | SPROKET SHAFT,OIL PUMP | 1 |
| 13 | AT50-355 | SEALED PLUG SCREW | 1 |
| 14 | AT50-356 | BOLT | 3 |
| 15 | AT50-357 | WASHER | 1 |
| 16 | AT50-358 | WASHER | 1 |
| 17 | AT50-359 | WASHER | 1 |
| 18 | AT50-360 | BOLT 92140-06018 | 1 |

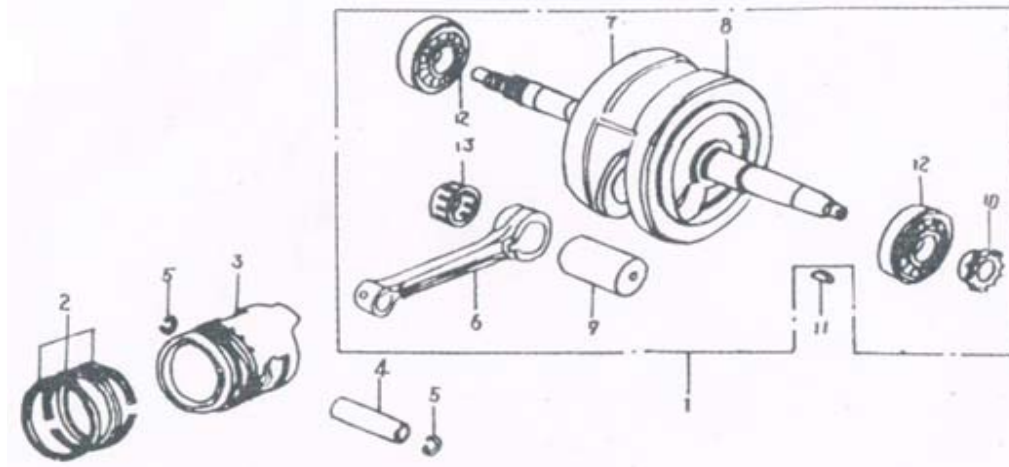
AT50



Baja
Motorsports

| Item No. | Part No. | Description | Qty. |
|----------|----------|-------------------------------|------|
| 2 | AT50-361 | GASKET,CRANKCASE | 1 |
| 3 | AT50-362 | CRANKCASE,LEFT | 1 |
| 4 | AT50-363 | AERATION PIPE | 1 |
| 5 | AT50-364 | CLIP,OVERFLOW PIPE | 1 |
| 6 | AT50-365 | PIPE CLIP | 1 |
| 7 | AT50-366 | THREADED STUD A,CYLINDER | 2 |
| 8 | AT50-367 | THREADED STUD B,CYLINDER | 2 |
| 9 | AT50-368 | WASHER | 1 |
| 10 | AT50-369 | LOCATING PIN 92401-10014 | 2 |
| 11 | AT50-370 | PLUG SCREW,OIL DRAIN | 1 |
| 12 | AT50-371 | FILTER MESH COMP., ENGINE OIL | 1 |
| 13 | AT50-372 | BOLT 92140-06050B | 1 |
| 14 | AT50-373 | BOLT 92140-06060B | 2 |
| 15 | AT50-374 | BOLT 92140-06065B | 4 |
| 16 | AT50-375 | OIL PUMP COMPONENT | 1 |
| 17 | AT50-376 | OIL PUMP BODY GLAND BUSH | 1 |
| | | | |
| | | | |
| | | | |

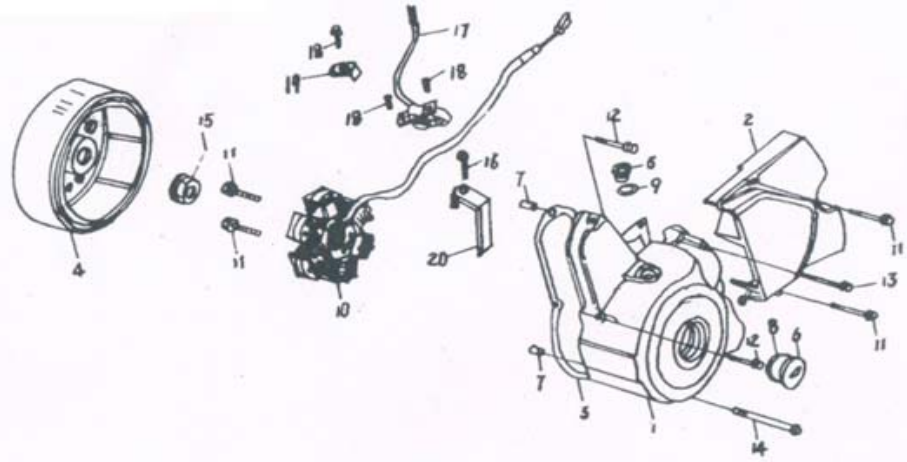
AT50



Baja
Motorsports

| Item No. | Part No. | Description | Qty. |
|----------|----------|---------------------------------------|------|
| 1 | AT50-389 | CRANKSHAFT & CONNECTING ROD COMPONENT | 1 |
| 2 | AT50-390 | PISTON RING A | 1 |
| 2 | AT50-391 | PISTON RING B | 1 |
| 2 | AT50-392 | OIL RING | 1 |
| 3 | AT50-393 | PISTON | 1 |
| 4 | AT50-394 | PISTON PIN | 1 |
| 5 | AT50-395 | PISTON PIN RETAINER RING | 2 |
| 6 | AT50-396 | CONNECTING ROD | 1 |
| 7 | | RIGHT CRANKSHAFT | 1 |
| 8 | | LEFT CRANKSHAFT | 1 |
| 9 | | CRANK PIN | 1 |
| 10 | | TIMING DRIVE SPROCKET | 1 |
| 11 | AT50-397 | WOODRUFF KEY | 1 |
| 12 | | BEARING 6304 | 2 |
| 13 | | NEEDLE BEARING | 1 |
| | | | |
| | | | |
| | | | |
| | | | |

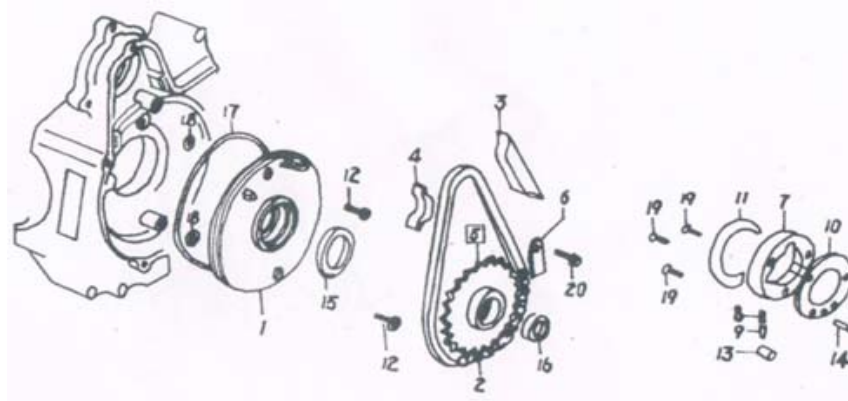
AT50



Baja
Motorsports

| Item No. | Part No. | Description | Qty. |
|----------|----------|--------------------------|------|
| 2 | AT50-410 | REAR COVER,LEFT | |
| 3 | AT50-411 | CUSHION,LEFT FRONT COVER | |
| 4 | AT50-412 | ROTOR ASSEMBLY | |
| 5 | AT50-413 | UPPER VISION HOLE COVER | |
| 6 | AT50-414 | VISION HOLE COVER | |
| 7 | AT50-415 | LOCATING PIN 92401-08012 | |
| 8 | AT50-416 | O RING,VISION HOLE | |
| 9 | AT50-417 | O RING,UPPER VISION HOLE | |
| 10 | AT50-418 | STATOR COMPONENT | |
| 11 | AT50-419 | BOLT 92140-06025B | |
| 12 | AT50-420 | BOLT 92140-06032B | |
| 13 | AT50-421 | BOLT 92140-06050B | |
| 14 | AT50-422 | BOLT 92140-06070B | |
| 15 | AT50-423 | NUT M10*1.25 | |
| 16 | AT50-424 | PULLEY BOLT 92140-06016 | |
| 17 | AT50-425 | SENSOR | |
| 18 | AT50-426 | SCREW M5*6 | |
| 19 | AT50-427 | TENSION PIECE | |
| | | | |

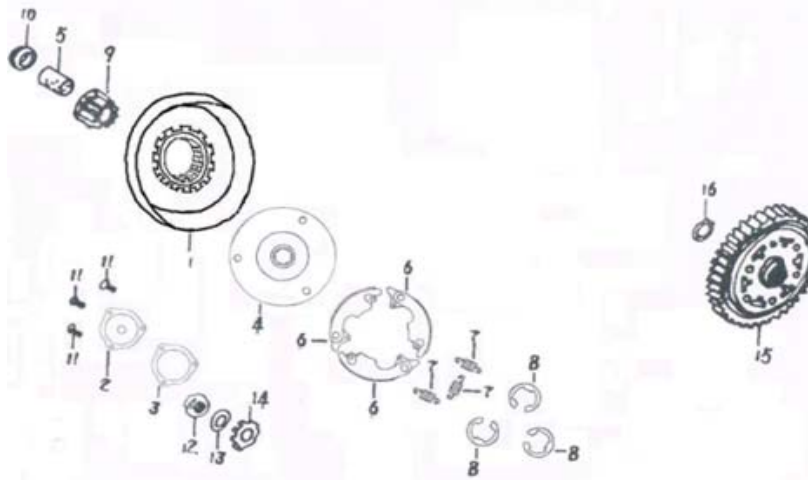
AT50



Baja
Motorsports

| Item No. | Part No. | Description | Qty. |
|----------|----------|---|------|
| 1 | AT50-428 | COVER | 1 |
| 2 | AT50-429 | DRIVING CHAIN,ELECTRIC STARTING | 1 |
| 3 | AT50-430 | CHAIN GUIDE PLATE | 1 |
| 4 | AT50-431 | CHAIN TENSION PLATE | 1 |
| 5 | AT50-432 | DRIVEN SPROCKET COMPONENT,ELECTRIC STARTING | 1 |
| 6 | AT50-433 | LIMITING PLATE | 1 |
| 7 | AT50-434 | ONE-WAY BODY | 1 |
| 8 | AT50-435 | SUPPORTING SPRING | 3 |
| 9 | AT50-436 | TAPERED PLUG | 3 |
| 10 | AT50-437 | CUSHION,ONE-WAY | 1 |
| 11 | AT50-438 | OUTER COVER,ONE-WAY | 1 |
| 12 | AT50-439 | SCREW M6*16 | 1 |
| 13 | AT50-440 | ROLLER | 1 |
| 14 | AT50-441 | LOCATING PIN | 1 |
| 15 | AT50-442 | OIL SEAL 30*42*4.5 | 1 |
| 16 | AT50-443 | OIL SEAL | 1 |
| | | | |
| | | | |
| | | | |

AT50



Baja
Motorsports

| Item No. | Part No. | Description | Qty. |
|----------|----------|------------------------------|------|
| 2 | AT50-456 | CLUTCH END COVER | 1 |
| 3 | AT50-457 | CUSHION,CLUTCH END COVER | 1 |
| 4 | AT50-458 | DRIVING PLATE | 1 |
| 5 | AT50-459 | SHAFT HOUSING | 1 |
| 6 | AT50-460 | FRICTION SHOE | 3 |
| 7 | AT50-461 | TORTION SPRING,FRICTION SHOE | 3 |
| 8 | AT50-462 | CLIP | 3 |
| 9 | AT50-463 | DRIVING GEAR WHEEL | 1 |
| 10 | AT50-464 | FERRULE | 1 |
| 11 | AT50-465 | SCREW M5*12 | 3 |
| 12 | AT50-466 | ROUND NUT | 1 |
| 13 | AT50-467 | BUTTERFLY WASHER | 1 |
| 14 | AT50-468 | STOP WASHER | 1 |
| 15 | AT50-469 | DRIVEN GEAR COMPONENT | 1 |
| 16 | AT50-470 | CIRCLIP | 1 |
| | | | |
| | | | |
| | | | |
| | | | |

