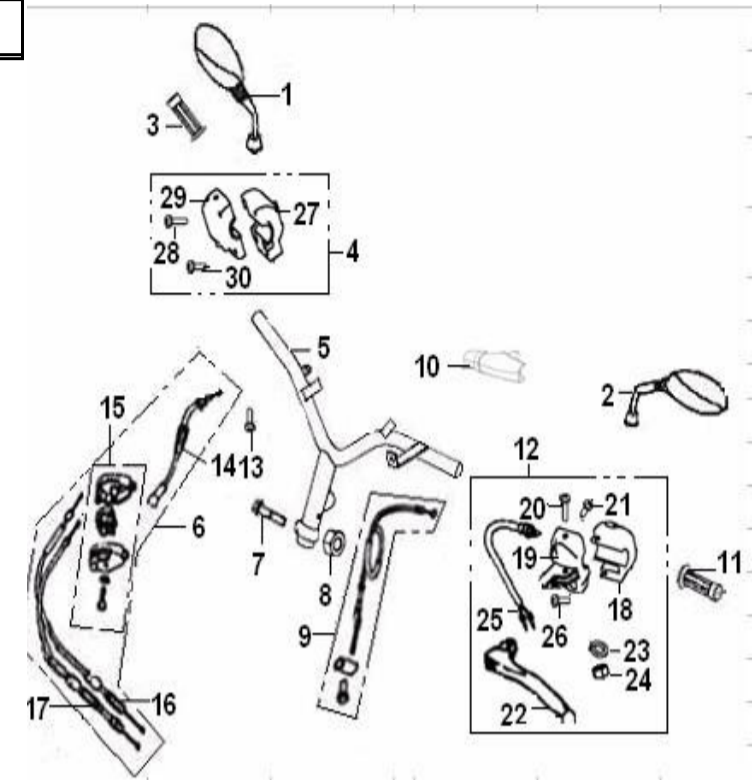


S.P. CATALOG FOR KEEWAY HURRICANE 50,2ST, 2007-2008 VER.



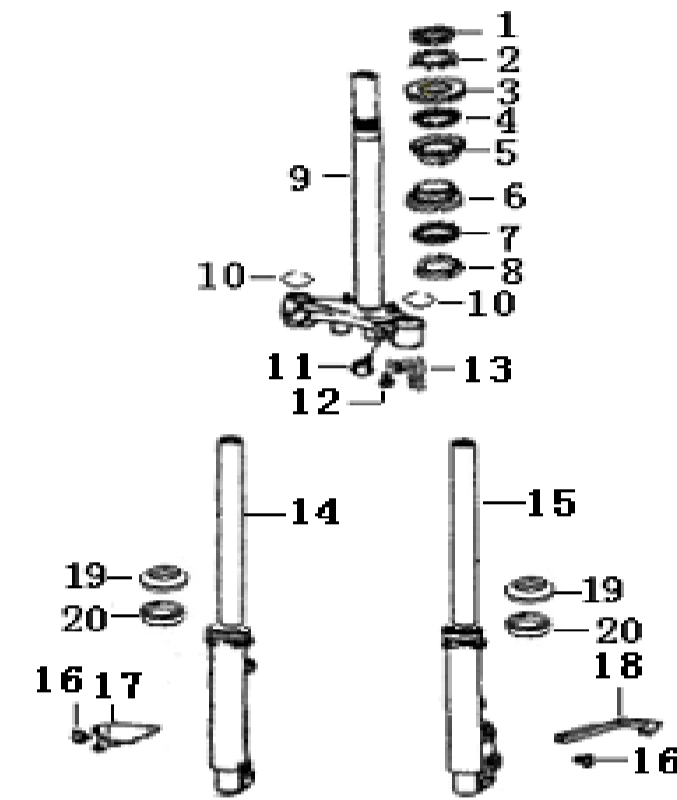
F01.1 CONTROL ASSY

NO.	CODE	DESCRIPTION	QTY.	NOTES	SEASON	OLD NUMBERS
1	40470BMBT000	REAR VIEW MIRROR ASSY.RH.(BLACK)	1	for 2008 season	2008	
2	40460BMBT000	REAR VIEW MIRROR ASSY.LH.(BLACK)	1	for 2008 season	2008	
3	40212J4AT000	GRIP ASSY., THROTTLE	1			
4	40600B910002	RIGHT HANDLE SWITCH, RH. ASSY.	1			40600BM0T00A, 40460BM0T002
5	40100B20TG81	JOINTING ASSY., HANDLE BAR	1			
6	40300B030004	CABLE ASSY., THROTTLE (NEW)	1			40300B20T001
7	B01091004565	BOLT M10X1.25X45	1			
8	B04171012565	NUT M10X1.25	1			
9	40270B20T001	CABLE COMP.,REAR. BRAKE	1			
10	40008BM0T000	PROTECTOR,, REAR. BRAKE CABLE	1			
11	40001J4AT000	GRIP, LH.	1			
12	40500BM0T000	LEFT HANDLE SWITCH ,1 ASSY.	1			
13	B02000501025	SCREW M5X10	1			
14	40330B030000	CABLE THROTTLE	1			40306B20T000
15	40340B030001	JUNCTION BOX	1			40340B20T001
16	40308B030000	OIL PUMP LINE	1			40308B20T000
17	40307B030000	CARBURETOR LINE	1			40307B20T001
18	40510BM0T000	LEFT HANDLE SWITCH	1			
19	40520BM0T000	L. SWITCH FIXING SEAT	1			
20	B02000502525	PAN HEAD SCREW 5X25	1			
21	40004BMAT000	SCREW M5	1			
22	40002BM0T000	LEFT LEVER	1			
23	B07000000505	WASHER SPRING 5	1			
24	B04000500065	NUT M5	1			
25	91700BMAT000	STOP SWITCH ASSY.	1			
26	B02000502025	PAN HEAD SCREW M5X20	1			
27	40610B910002	RIGHT HANDLE SWITCH, RH.(DOT)	1			40610BM0T00A
28	B02000502525	PAN HEAD SCREW M5X25	1			
29	40620BM0T000	SWITCH FIXING R.	1			
30	B02000502025	PAN HEAD SCREW M5X20	1			



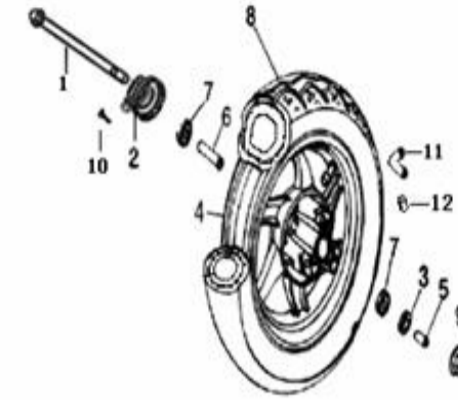
F02 FRONT FORK ASSY.

NO.	CODE	DESCRIPTION	QTY.	NOTES	SEASON	OLD NUMBERS
1	43008J0ET000	PRESS NUT	1			
2	43007B20T000	WASHER	1			
3	43001B20T000	UPPER STEEL BOWL, UPPER BEARING	1			
4	B06010110000	STEEL BALL Φ3.969	25			
5	43002B20T000	LOWER STEEL BOWL, UPPER BEARING	1			
6	43003B20T000	UPPER STEEL BOWL, LOWER BEARING	1			
7	B06010140000	STEEL BALL Φ4.763	21			
8	43004B20T000	LOWER STEEL BOWL, LOWER BEARING	1			
9	43100B20T001	UNDER BRACKET COMP	1			
10	43215BMAT000	CLIP	2			
11	B01591003065	FLANGE BOLT M10X1.25X30	2			B01091003065
12	B01090601265	FLANGE BOLT M6X12	1			B13170601264
13	43035BMBT000	HOLDER, BRAKE HOSE 2	1			
14	43300B20T000	R.H. FR. FORK ASSY.SILVER	1	used before 2008 season	2006-2007	
14	43300B03HU00	R.H. FR. FORK ASSY.SILVER(BLACK HU)	1	for 2008 season	2008	
15	43200B20T000	L.H. FR. FORK ASSY.SILVER	1	used before 2008 season	2006-2007	
15	43200B03HU00	L.H. FR. FORK ASSY.SILVER(BLACK HU)	1	for 2008 season	2008	
16	B01070601665	BLOT M6X16	2			B01070601605
17	43150BMAT000	CABLE HOLDER	1			
18	43021BM0T003	BRAKE HOSE HOLDER, 1	1			
19	43290H00X000	COVER,ANTI-DUST	2			
20	43260H00X000	OIL SEAL	2			



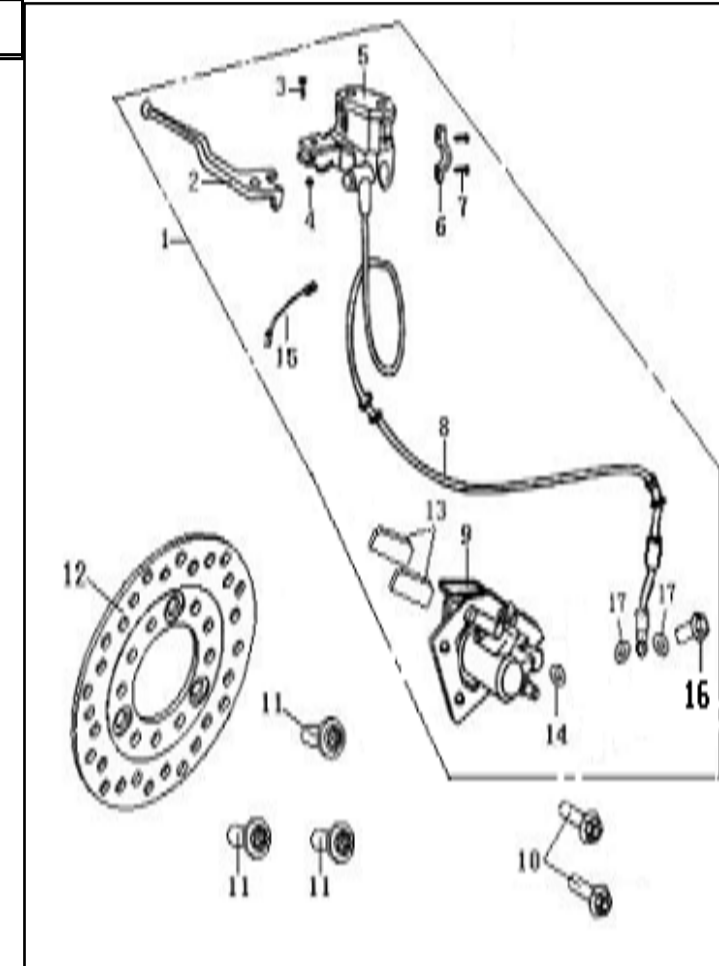
F03 FRONT WHEEL ASSY.

NO.	CODE	DESCRIPTION	QTY.	NOTES	SEASON	OLD NUMBERS
1	44005B20T001	AXLE, FRONT WHEEL	1			
2	44200B20TM91	SEAT ASSY., GEAR WHEEL,(ORANGE M9)	1		2007	
2	44200B20TR81	SEAT ASSY., GEAR WHEEL,(RED R8)	1		2007	
2	44200B20TBH1	SEAT ASSY., GEAR WHEEL,(BLACK BH)	1		2007-2008	
2	44200B20TEN1	SEAT ASSY., GEAR WHEEL,(BLUE EN)	1		2007	
3	44300B20T000	OIL SEAL	1			
4	44100B03BH00	WHEEL HUB, FRONT, (BLACK BH)10"	1		2007	44200B20TBH1
4	44100B03M900	WHEEL HUB, FRONT, (ORANGE M9)10"	1		2007	44200B20TM91
4	44100B03R800	WHEEL HUB, FRONT, (RED R8)10"	1		2007	44200B20TR81
4	44100B03EN00	WHEEL HUB, FRONT, (BLUE EN)10"	1		2007	44200B20TEN1
4	44100B03BH06	WHEEL HUB, FRONT, (BLACK BH,fully painted),10", 2008 season	1		2008	44102B20TBH4
5	44004B20T000	BUSHING RING	1			
6	44006B20TT10	SPACER, BEARING	1			
7	B12040100900	BEARING 6200-2RS	2			
8	B140135010AA	TIRE 3.50-10 E11 75R-000197&DOT	1	SELL THROUGH		B140135010AB
9	B04171012564	NUT M10X1.25	1			
10	B02020501624	SCREW M5X16	1			B02020501664
11	B1403Z201110	VALVE	1			B1403Z2011C0
12	B1404Z2011C0	CAP, VALVE	1			B140135010AB



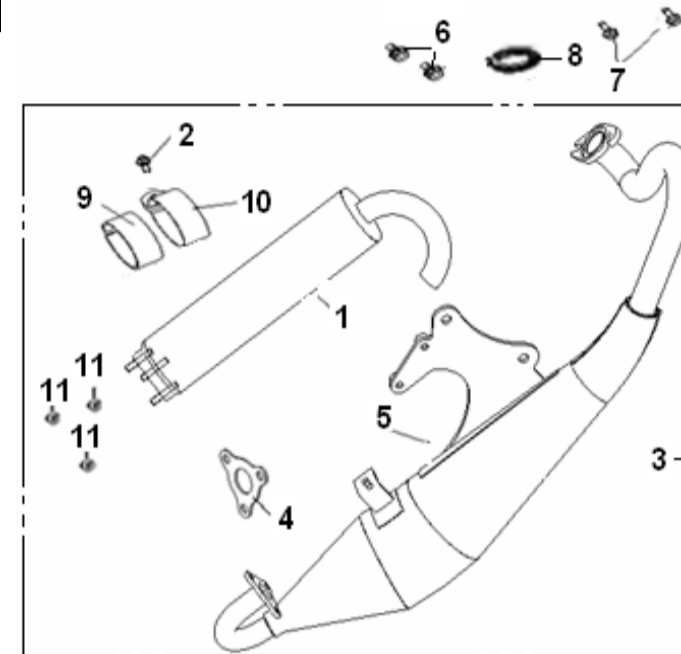
F04.2 DISC BRAKE ASSY. (without ABS System,For EPA market(North America) only) 10" rims

NO.	CODE	DESCRIPTION	QTY.	NOTES	SEASON	OLD NUMBERS
1.1	4500B20T006	DISK BRAKE ASSY.(matching vehicle with 10" wheels,without ABS, with Mark "DOT")	1			45000B20T002
2	45022J3AT000	DISC BRAKE LEVER	1			
3	45024J1CT000	LEVER MOUNTING SCREW 6MM	1			
4	B04160600065	NUT 6MM	1			
5	45400BMBTB30	CYLINDER COMP.(BLACK)	1			
6	45023J1DT000	MASTER CYLINDER BRACKET	1			
7	B01070602365	BOLT 6X23MM	1			
8	45200B20T002	BRAKE HOSE ASSY. (Mark "DOT")	1			45200B20T001
9	45500B20T002	CALIPER ASSY. (BLACK),(matching vehicle with 10" wheels)	1			
10	B01090803864	BOLT 8X38MM	2			B01090803564
11	45036B20T000	BOLT	3			
12	45033B20T000	BRAKE DISC	1			45033BM0T000
13	45110B20T000	BRAKE PAD KIT MARK : WTC JB (1 set 2pieces)	1 set	order as per set only.		
14	45654B20T000	WASHER	2			
15	45300J3AT000	STOP SWITCH ASSY.	1	45651BMBT000		
16	45037J000000	FLANGE BOLT M10*1.25	1			45651BMBT000
17	45653B20T000	WASHER	2			



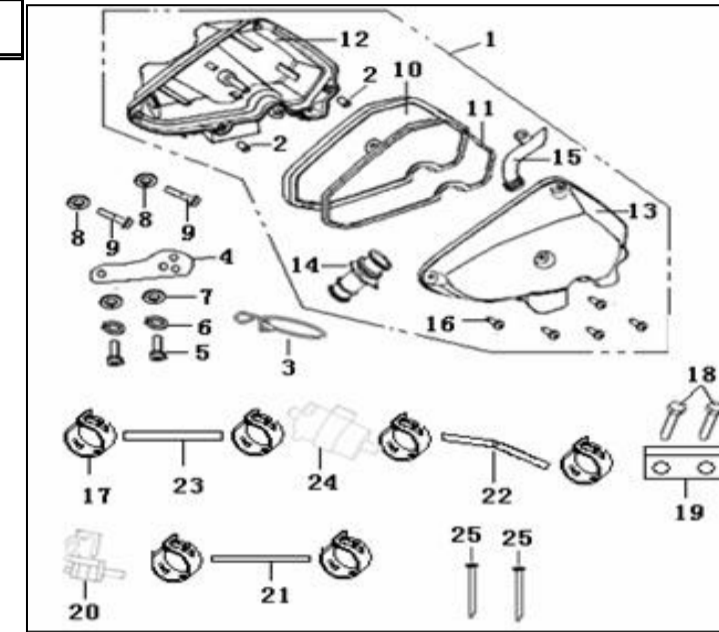
F05.2 SPORTY MUFFLER ASSY.(For EPA & NON-EEC market)

NO.	CODE	DESCRIPTION	QTY.	NOTES	SEASON	OLD NUMBERS
1	48300BM0T000	MUFFLER CANISTER ASSY.	1			
2	B01070601664	BOLT 6x16MM	1			
3	47100B03000E	MUFFLER ASSY.COMP	1		47100BM0T00G	
4	47490BM0T005	CUSHION	1		47490BM0T000	
5	47200B20T006	MUFFLER ASSY. (with catalyzer)	1			
6	B0109060166L	BOLT 6x16MM	2		B01070601665, B01090601665	
7	B01090801665	BOLT 8x16MM	2			
8	47800B0DT000	GASKET, EXHAUST PIPE	1		47800B2GT000	
9	47833B2GT005	ADIABATIC RUBBER	1			
10	48831B2GT005	HOLDING CLAMP, MUFFLER	1			
11	47006J0AP000	NUT 6MM	3		B04070600064	



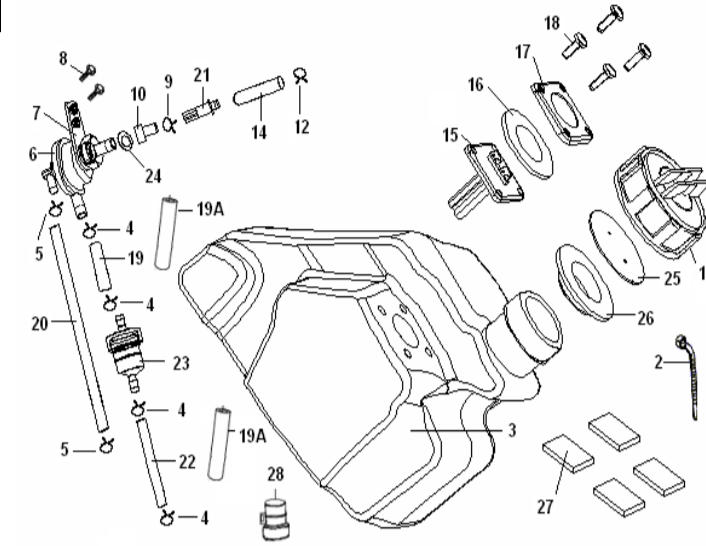
F06-AIR CLEANER ASSY.

NO.	CODE	DESCRIPTION	QTY.	NOTES	SEASON	OLD NUMBERS
1	49500B20T001	AIR CLEANER MARK: e3 KWAF02	1			
2	49004B20T000	BUSH	2			
3	49350B20T000	CLIP	1			
4	49361B20T001	PLATE	1			
5	B02000501665	SCREW M5X16	2			
6	B07000000505	WASHER SPRING 5	2			
7	B07030000505	WASHER 5	2			
8	B07020000605	WASHER 6	2			B07020000604
9	B01190603065	BOLT M6X30	2			
10	49202B20T000	FILTER	1			
11	49103B20T000	SEAL LOOP	1			
12	49101B20T000	CASE, AIR CLEANER	1			
13	49401B20T000	CAP, AIR CLEANER	1			
14	49005B20T000	PIPE,AIR OUT	1			49002B20T000
15	49002B20T000	PIPE,AIR IN (φ16.5)	1			49005B20T000
16	B05074201905	TAPPING SCREW ST4.2X19	5			B05004201905
17	49805BMBT000	SPRING II ,LOCK φ17.5	6			
18	B01090601265	SCREW 6X12MM	2			B13170601264
19	57051B2GT000	PLATE ,ONE WAY VALVE	1			
20	49840B0ES000	ONE WAY VALVE II	1			
21	49851B20T000	HOSE φ17×φ9×570	1			
22	49852B2GT000	HOSE φ18×φ13×240	1			
23	49853B2GT000	HOSE II φ13×φ18x185	1			
24	49870B2GT000	AIR CLEANER,SMALL	1			
25	96001B20T000	BAND 8x200	2			



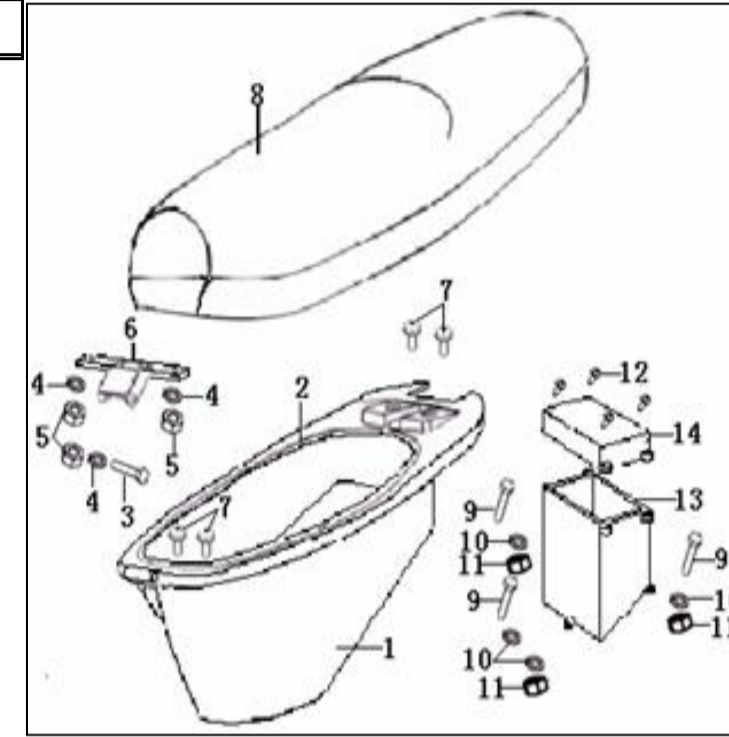
F07 FUEL TANK ASSY.

NO.	CODE	DESCRIPTION	QTY.	NOTES	SEASON	OLD NUMBERS
1	50201B0ET000	LIP FUEL TANK--PLASTIC TANK	1			
1	50201T160000	LIP FUEL TANK--STEEL TANK	1	used for EPA vehicle with steel fuel tank		
2	50910B0ET000	TIE ASSY. FUEL TANK	1			
3	50100B0ETT10	BODY, FUEL TANK--PLASTIC	1			
3	50100B20T001	BODY, FUEL TANK--STEEL	1	used for EPA vehicle with steel fuel tank		
4	50307BM0T000	CLIPφ8	4			
4	B17010090003	CLIPφ9	4			
5	50306BM0T000	CLIPφ7	2			
6	50300B0ET000	Fuel cock	1			
7	50313B20T000	PLATE.FUEL COCK	1			
8	B02000501064	SCREW M5x10	2			
9	50308B20T000	CLIPφ16	1			
10	50311B20T000	COUPLER.FUEL COCK	4			
12	50309B20T000	CLIPφ11	1			
14	50351B030001	FILTER CASE	1		50301B20T000	
15	50800B0ETT10	SENSOR ASSY--PLASTIC TANK	1			
15	50800B020010	SENSOR ASSY--STEEL TANK	1	used for EPA vehicle with steel fuel tank		
16	50004B0ETT10	GLUE MAT	1			
17	50003B0ETG80	SENSOR BOARD	1			
18	B13140601405	BOLT ASSY. M6X14	4			
19	50302B20T000	HOSE IIφ4.5×φ8.5×60	1			
19A	50303B470001	HOSE IIIφ5×φ10×140 mark C-U-07-003	2			
20	50303B20T000	HOSE IIIφ4×φ8×175	1			
21	50352B20T000	FUEL FILTER	1			
22	50304B20T000	HOSE φ4.5×φ8.5×150	1			
23	50340J0ET000	FILTER, FUEL	1			
24	50312B0ET000	RUBBER SEAL	1			
25	50203B0ET000	LIP OIL TANK PLASTIC CUSHION	1			
26	50202B0ET000	LIP OIL TANK SEAL	1			
27	50920B0ET000	CUSHION	4			
28	50391J0ET000	GASKET	1			



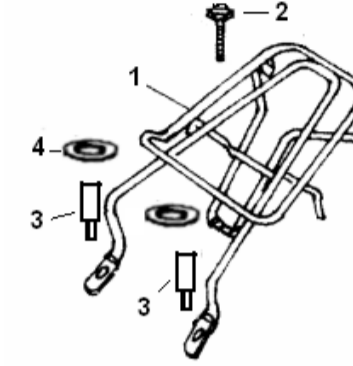
F08 SEAT ASSY.

NO.	CODE	DESCRIPTION	QTY.	NOTES	SEASON	OLD NUMBERS
1	51004B20T000	HELMET BOX	1			
2	51012B20T000	AIRPROOF.BAR	1			
3	51001B20T000	BOLT	1			
4	B07000000603	WASHER SPRING \underline{g}	3			
5	B04000600053	NUT M6	3			
6	51005B20T000	MOUNTING PANEL ,SEAT	1			
7	B13060601664	SCREW M6X16	4			
8	51100B20T004	SEAT COMP.(KEEWAY)	1			
9	B01010501664	BOLT M5X16	3		B01090501664	
10	B07020000504	WASHER 5	4			
11	B04000500054	NUT M5	3			
12	B05072901605	TAPPING SCREW ST2.9X16	4		B05002901605	
13	65816B20T000	CASE.BATTERY	1			
14	65813B20T001	CAP.BATTERY	1	used for vehicle with YTX51 -RS battery		65813B20T000
14	65813B030003	CASE.BATTERY	1	used for vehicle with YTX41 -RS battery		65813B20T001



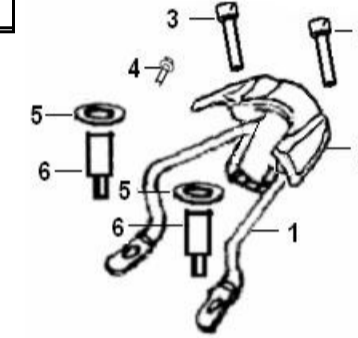
F09.1 CARRIER ASSY. (FOR NON-EEC, EEC2 MARKET)

NO.	CODE	DESCRIPTION	QTY.	NOTES	SEASON	OLD NUMBERS
1	52011B20T000	REAR CARRIER	1			
2	B01070601665	BOLT M6X16	1			B01070601605
3	51016B20T000	SPECIAL SCREW	2			
4	65822J00P000	DECORATIVE, COVER	2		2009	B01070601665



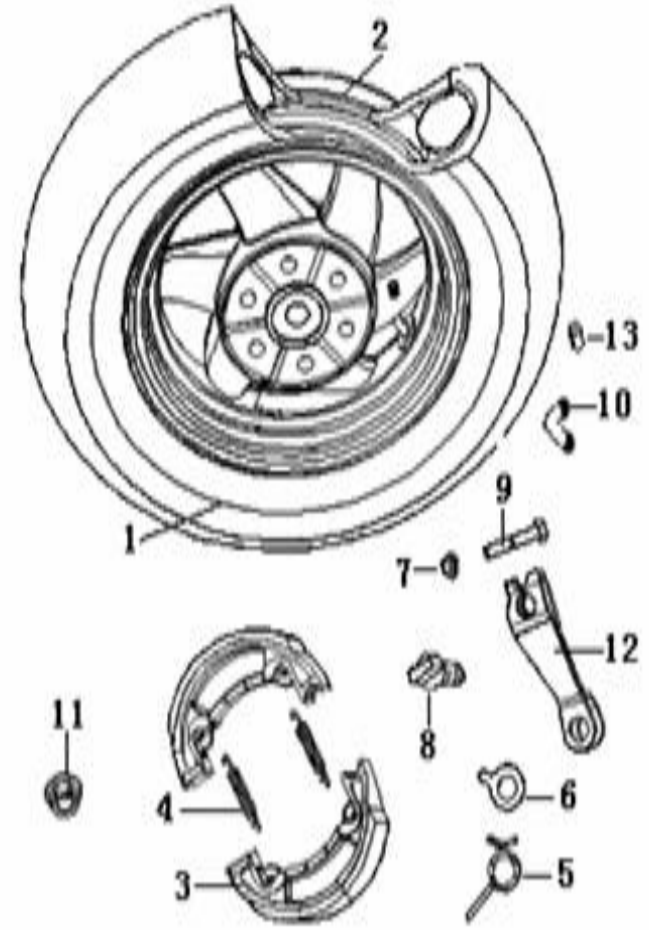
F09.2 CARRIER ASSY. (Aluminum Alloy)

NO.	CODE	DESCRIPTION	QTY.	NOTES	SEASON	OLD NUMBERS
1	52012B20T000	RR.. CARRIER BRACKET	1			
2	52011B20TD51	RR..CARRIER ASSY (WATERMARK)	2			
3	B02050804564	BOLT 8X45MM	2			51014B20T000
4	B01070601665	BOLT 6X16MM	1			B01070601605
5	65822J00P000	DECORATIVE,COVER	2			B01070601665
6	52016B2GT910	SCREW M6X48	2			



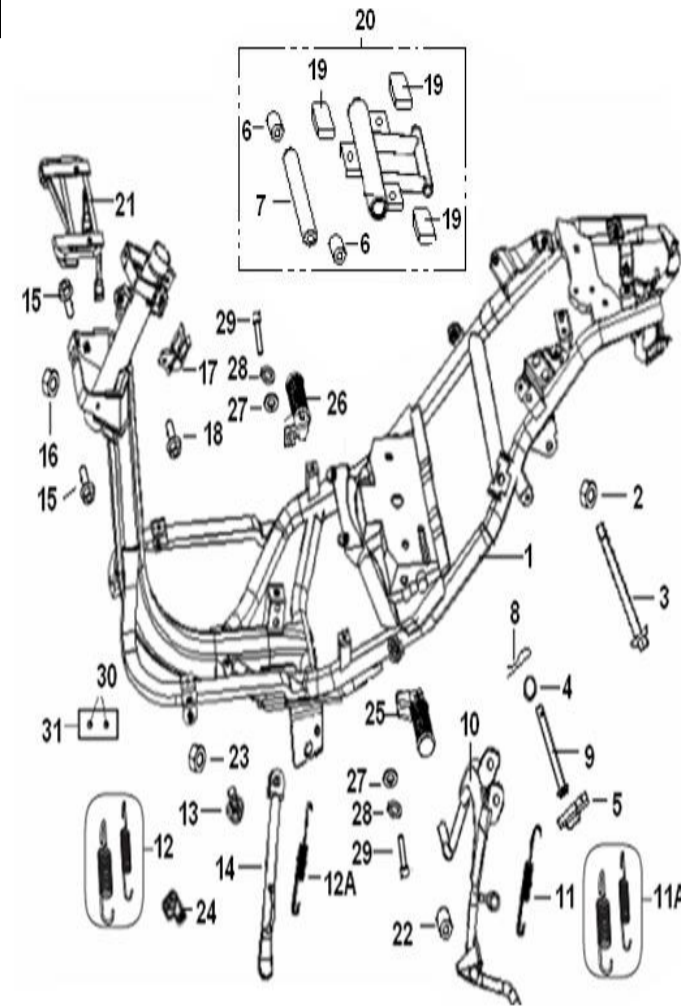
F10 REAR WHEEL ASSY.

NO.	CODE	DESCRIPTION	QTY.	NOTES	SEASON	OLD NUMBERS
1	B140135010AA	TIRE 3.5-10 E11 75R-000197&DOT	1			B140135010AB
2	54100B03M901	RIM ASSY., REAR WHEEL (ORANGE M9) 10"	1		2007	54100B20TM91
2	54100B03R801	RIM ASSY., REAR WHEEL (RED R8)10"	1		2007	54100B20TR81
2	54100B03BH01	RIM ASSY., REAR WHEEL (BLACK BH)10"	1		2007	54100B20TBH1
2	54100B03EN01	RIM ASSY., REAR WHEEL (BLUE EN)10"	1		2007	54100B20TEN1
2	54100B03BH06	RIM ASSY., REAR WHEEL (BLACK BH,fully painted)10" Fully painted	1		2008	54100B20TBH1
3	54200B00T000	SHOE ASSY., REAR BRAKE MARK:PJ ST5G3-00 (2pcs/set)	1 set	order as per set		
4	54001B00T000	SPRING, BRAKE SHOE	2			
5	54008B0ET000	RETURN SPRING	1			
6	54002B00T000	REAR INDICATOR	1			
7	B04170600064	NUT M6	1			
8	54003B0ET000	CAMSHAFT, REAR BRAKE	1			
9	B01010603024	BOLT M6X30	1			B01010603064
10	B1403Z201110	VALVE	1			B1403Z2011C0
11	B04171415064	NUT M14X1.5	1			
12	54007B0ET000	ROCKER,REAR BREAK	1			
13	B1404Z2011C0	CAP, VALVE	1			



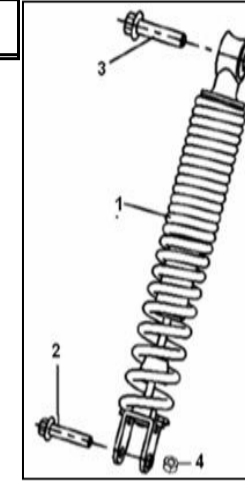
F11 FRAME ASSY.

NO.	CODE	DESCRIPTION	QTY.	NOTES	SEASON	OLD NUMBERS
1	57100B20TT13	JOINTING ASSY., FRAME (for EPA(North America) market)	1			
2	B04171012564	NUT M10X1.25	1			
3	58301B20T000	AXLE,SUPPORT	1			
4	58505B20T000	PROTECTOR,MAIN STAND	1			
5	58506B20T000	CLIP,BRAKE CABLE	1			
8	B09003202823	COTTER PIN	1			
9	58501B450050	SHAFT, MAIN STAND	1			58501B410000
10	58520B030005	MAIN STAND ASSY	1			58520B030004
11	58502B20T000	SPRING,MAIN STAND	1			
12	57003B20TT10	SPRING, SIDE STAND	1			57010B20TT10
13	57005J0ET000	BOLT M8x20	1			57005B20TT10
13	57005B410001	BOLT M8x35.5	1		2010	
14	58700B20TT11	JOINTING ASSY., SINGLE STAND	1		2007-2009	
15	B01090601664	BOLT M6X16	2			B01090602064
16	B04070600064	NUT M6	1			B04070600054
17	57007B20T000	POTHOOK, HELMET	1			
18	B01090601664	BOLT M6X16	1			B01090602064
19	58342B20T000	DAMPER	3			
20	58320BSAT000	SUSPEND FRAME ASSY., ENGINE	1			58300B20T000
21	58200B20TT11	BRACKET ASSY., FRAME FRONT	1			
22	58504B20T000	RUBBER,MAIN STAND	1			
25	58260J000035	FOOTCAST, ASSY,LEFT	1			58280B20T000
26	58280J000035	FOOTCAST, ASSY,RIGHT	1			58260B20T000
27	B07030001004	WASHER 10mm	2			
28	B07000001004	WASHER SPRING 10mm	2			
29	B02051002264	BOLT 10X22mm	2			



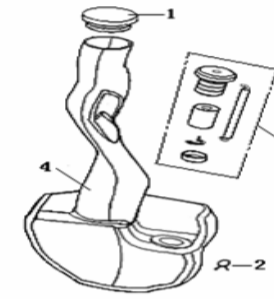
F12 REAR SHOCK ABSORBER ASSY.

NO.	CODE	DESCRIPTION	QTY.	NOTES	SEASON	OLD NUMBERS
1	63100B20TM91	ABSORBER ASSY.(ORANGE M9)	1		2007	
1	63100B20TR81	ABSORBER ASSY.(RED R8)	1		2007	
1	63100B20TBH1	ABSORBER ASSY.(BLACK BH)	1		2007	
1	63100B20TEN1	ABSORBER ASSY.(BLUE EN)	1		2007	
2	B01070804064	BOLT 8X40MM	1			
3	B01071004064	BOLT 10X1.25X 40MM	1			
4	B04070008064	NUT M8MM	1			



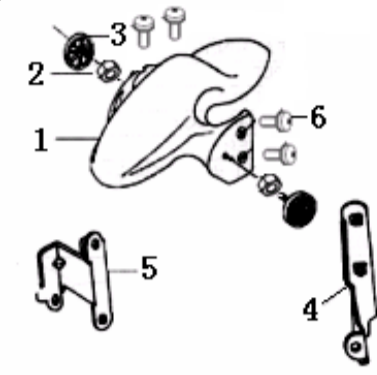
F13 OIL TANK ASSY.

NO.	CODE	DESCRIPTION	QTY.	NOTES	SEASON	OLD NUMBERS
1	64091B20T000	CAP, OIL TANK	1			
2	50307BM0T000	CLIPφ8	2			
3	64100B20T000	SENSOR, OIL POSITION	1			
4	64001B20T000	OIL TANK	1			



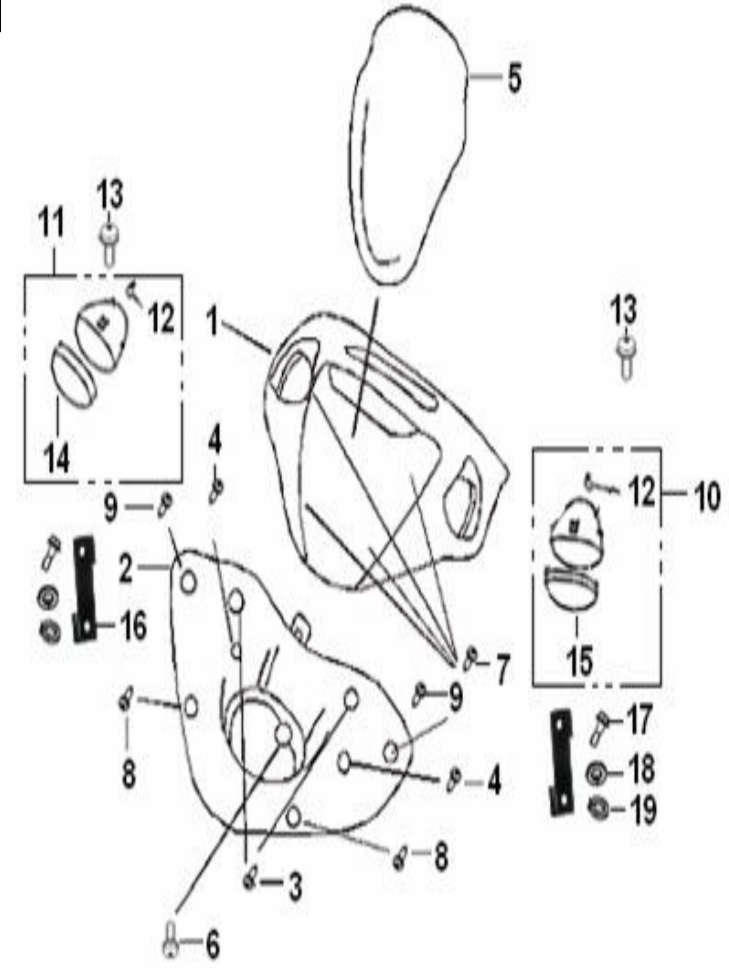
F14 FRONT FENDER ASSY.

NO.	CODE	DESCRIPTION	QTY.	NOTES	SEASON	OLD NUMBERS
1	65101BMBTBH0	FENDER ,FRONT, (BLACK BH)	1		2007	
1	65101BMBTCE0	FENDER ,FRONT,(SILVER CE)	1		2007	
2	B04070600064	NUT M6	2			B04070600054
3	86300B20T001	FRONT REFLECTOR (DOT)	2			
4	65130B20T000	FENDER ,FRONT, LH.BRACKET	1			
5	65140B20T000	FENDER ,FRONT, RH.BRACKET	1			
6	65114BMBT000	FENDER SCREW,FRONT	4			



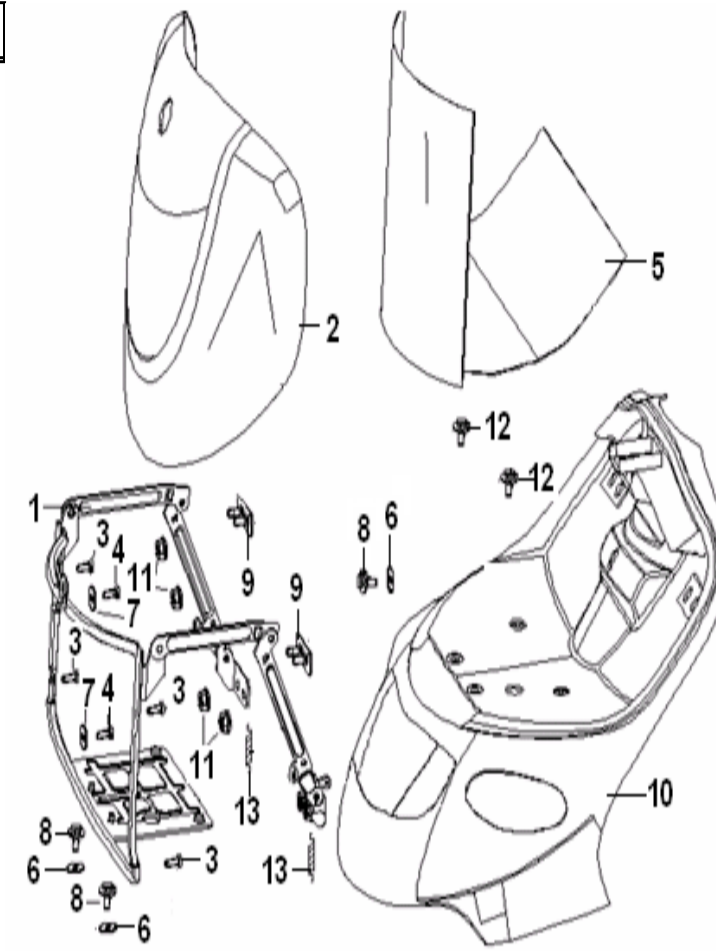
F15 HANDLE COVER ASSY.

NO.	CODE	DESCRIPTION	QTY.	NOTES	SEASON	OLD NUMBERS
1	65201BMBTBH0	HANDLE COVER, UP,(BLACK BH)	1	used for Keeway Hurricane 50 in color	2007	65201BMBTBH1
1	65201BMBTCE0	HANDLE COVER, UP, (SILVER CE)	1	used for Keeway Hurricane 50 in color	2007	65201BMBTCE1
1	65201BMBTWF2	HANDLE COVER, UP, (WHITE WF)	1	used for Keeway Hurricane 50 in color for EPA market White WF & Red/White		
2	65203B20T000	HANDLE COVER, DOWN	1			
3	B05075001605	TAPPING SCREW,ST5X16	2			
4	B05074001605	TAPPING SCREW,ST4X16	2			
5	65203BMBT000	METER VISION ASSY.(Silver)	1	used before 2008	2006-2007	
5	65203BMBTD50	METER VISION ASSY.(Carbon Fibre, Watermark D5)	1			
6	B13010501405	SCREW,5X14	1			
7	B05073001005	TAPPING SCREW,ST3X10	4			
8	B05075001205	TAPPING SCREW,ST5X12	2			
9	B05074001205	TAPPING SCREW,ST4X12	2			
10	81100B20T002	FLASHER LIGHT ASSY., 1 MARK:DOT/VEINTO	1			
11	81300B20T002	FLASHER LIGHT ASSY., 2 MARK:DOT/VEINTO	1			
12	B24012120000	BULB, 12V/10W	2			81004BMBT000
13	08005AE0D000	SCREW W/WASHER 5X11.5	2			B13060501205
14	81302B20T000	LIGHT COVER, RH.	1			81302B20T001
15	81102B20T000	LIGHT COVER, LH.	1			81102B20T001



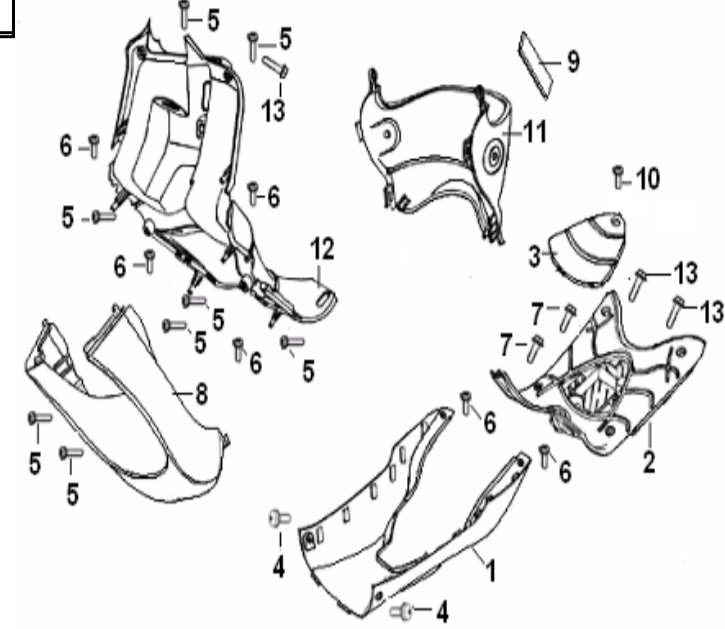
F16 FRONT COVER ASSY.

NO.	CODE	DESCRIPTION	QTY.	NOTES	SEASON	OLD NUMBERS
1	65340B20T000	FRAME, FRONT	1			
2	65301B20TM90	FACEPLATE,(ORANGE M9), without stickers	1	used for orange M9 vehicle	2007	
2	65301B20TR80	FACEPLATE,(RED R8), without stickers	1	used for red R8 vehicle	2007	
2	65301B20THN0	FACEPLATE,(SILVER HN), without stickers	1	used for deep gray HN vehicle	2007	
2	65301B20TEN0	FACEPLATE,(BLUE EN), without stickers	1	used for blue EN vehicle	2007	
3	B05074201304	TAPPING SCREW ST4.2X13	4			B05004201604
4	B05074201604	TAPPING SCREW ST4.2X16	2			B05004201604
5	65390B20T000	FRONT RACK	1			
6	B07020000605	WASHER 6	3			B07020000604
7	B07020000504	WASHER 5	2			
8	B01010601664	BOLT M6X16	3			B01010601665
9	65330B20T000	FIXING SEAT	2			
10	65302B20T000	MOTHERBOARD, FRONT COVER	1			
11	B04070600064	NUT M6	4			B04070600054
12	B01070602024	BOLT M6X20	2			B01010602065



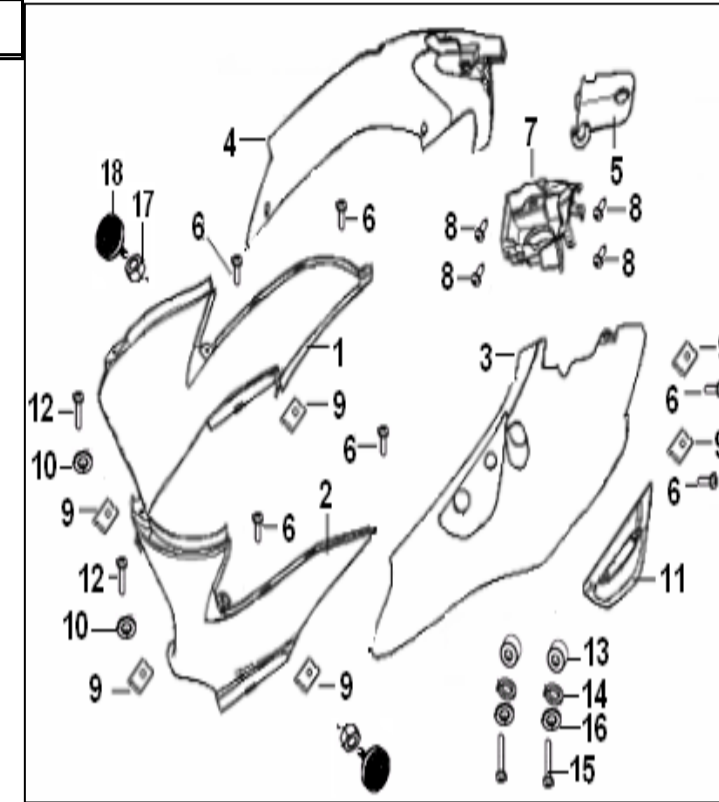
F17 LEG SHIELD ASSY.

NO.	CODE	DESCRIPTION	QTY.	NOTES	SEASON	OLD NUMBERS
1	65407B20TBH0	COVER LOWER II ,(BLACK BH) ,without stickers	1	used for orange M9,red RR deep crav HN	2007	
1	65407B20TEN0	COVER LOWER II ,(BLUE EN) ,without stickers	1	used for blue EN vehicle	2007	
2	65401B20T000	FOOTPLATE	1			
3	65411B20T000	CAP FOOTPLATE	1			
4	B13060601605	SCREW M6x16	2			
5	B05074201605	TAPPING SCREW , ST4.2X16	8			B05004201605
6	B05074201305	TAPPING SCREW, ST4.2x13	6			B05004201305
7	B01070601265	BOLT M6X12	2			
8	65406B20T000	COVER LOWER I, without stickers	1			
9	65403B20T000	INSPECT COVER	1			
10	B05074802005	SCREW ST4.8x20	1			B02000502005
11	65404B20T000	COVER,FRONT LUGGAGE BOX	1			
12	65402B20T000	COVER, REAR	1			
13	B01070601665	BOLT M6x16	3			B01070601605



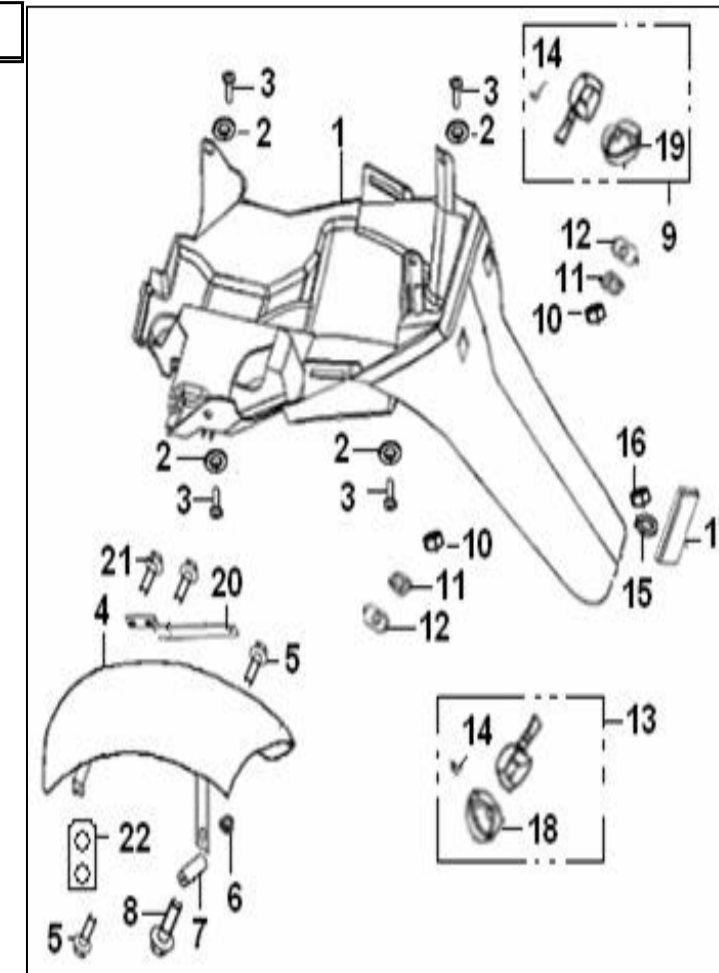
F18 FRAME COVER ASSY.

NO.	CODE	DESCRIPTION	QTY.	NOTES	SEASON	OLD NUMBERS
1	65603B20T001	COVER FRONT RH (For EPA(north america) Market)	1			65603B20T000
2	65601B20T001	COVER FRONT LH	1			65601B20T000
3	65604B20TBH0	COVER REAR LH,(BLACK BH), without stickers	1	used for orange M9,red RR deep arav HN	2007	
3	65604B20TCE0	COVER REAR LH,(SILVER CE), without stickers	1	for blue EN vehicle (Keewaw Hurricane 50)	2007	
4	65602B20TBH0	COVER REAR RH, (BLACK BH) without stickers	1	used for orange M9,red RR deep arav HN	2007	
4	65602B20TCE0	COVER REAR RH,(SILVER CE) without stickers	1	for blue EN vehicle (Keewaw Hurricane 50)	2007	
5	65606B20TBH0	COUPLING BOARD,(BLACK BH)	1	used for orange M9,red RR deep arav HN	2007	
5	65606B20TCE0	COUPLING BOARD,(SILVER CE)	1	for blue EN vehicle (Keewaw Hurricane 50)	2007	
6	B05070421605	TAPPING SCREW ST4.2x16	6			B05070401205
7	65615B20T000	BOARD, FUEL TANK FIXING	1			
8	B05070401005	TAPPING SCREW, ST4x10	4			
9	65801B20T000	CARD	6			B05004201305
10	B07030000504	WASHER 5MM	2			65801B20T000
11	65612B20T000	HANDLE, LH	1			
12	B05074201605	TAPPING SCREW, ST4.2x16	2			B05004201605
13	65613B20T000	BUSH, HANDLE	2			
14	B07030000604	WASHER 6	2			B07010000604
15	B02000603064	SCREW M6x30	2			B02000602564
16	B07000000604	WASHER SPRING 6	2			
17	B04070600064	NUT,M6	2			B04070600054
18	86400B20T001	REAR REFLECTOR	2			



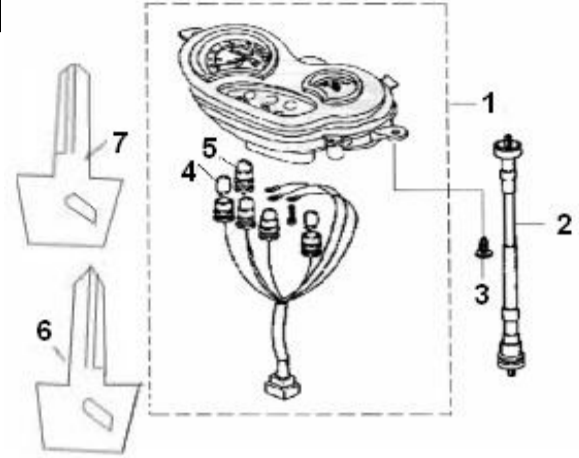
F19 REAR FENDER ASSY.

NO.	CODE	DESCRIPTION	QTY.	NOTES	SEASON	OLD NUMBERS
1	65701B20T000	FENDER, REAR	1			
2	B07020000605	WASHER 6	4			B07020000604
3	B01010601625	BOLT M6x16	4			B01010601664
4	65701B030001	TAIL, REAR FENDER	1	start VIN TSYTAR212RR709890		65702B20T000
5	B01070601265	BOLT M6X12	2			
6	65810B20T000	FIT NUT ASSY,FENDER	1			
7	65763B20T000	FIT BUSH,FENDER	1			
8	B01090604263	BOLT M6X42	1			B01090604265
9	81700B20T002	TURN LIGHT,F.R.E-MARK: DOT/VEINTO	1			
10	B04021012554	NUT M10X1.25	2			
11	81703B20T000	RUBBERCUSHION,REARTURNLIGHT	2			
12	81704B20T000	CUSHION,REAR TURN LIGHT	2			
13	81500B20T002	TURN LIGHT,R.LH. MARK: DOT/VEINTO	1			
14	B24012120000	BULB, 12V/10W	2			81004BMBT000
15	B07020000505	WASHER 5	1			
16	B04000500065	NUT M5	1			
17	86500B20T001	REAR REFLECTOR E-MARK: DOT	1			
18	81302B20T000	LIGHT COVER, R.	1			81302B20T001
19	81102B20T000	LIGHT COVER, LH.	1			81102B20T001
20	57861B20T001	REAR FENDER BRACKET	1	Only used for SPORTY MI IFFI FR in FPA		
21	B01090601264	BOLT 6X12MM	2	Only used for SPORTY MI IFFI FR in FPA		
22	65770B20T000	BRACKET ASSY	1			
26	08305G120050	BUSH	1	start VIN -----	2010	



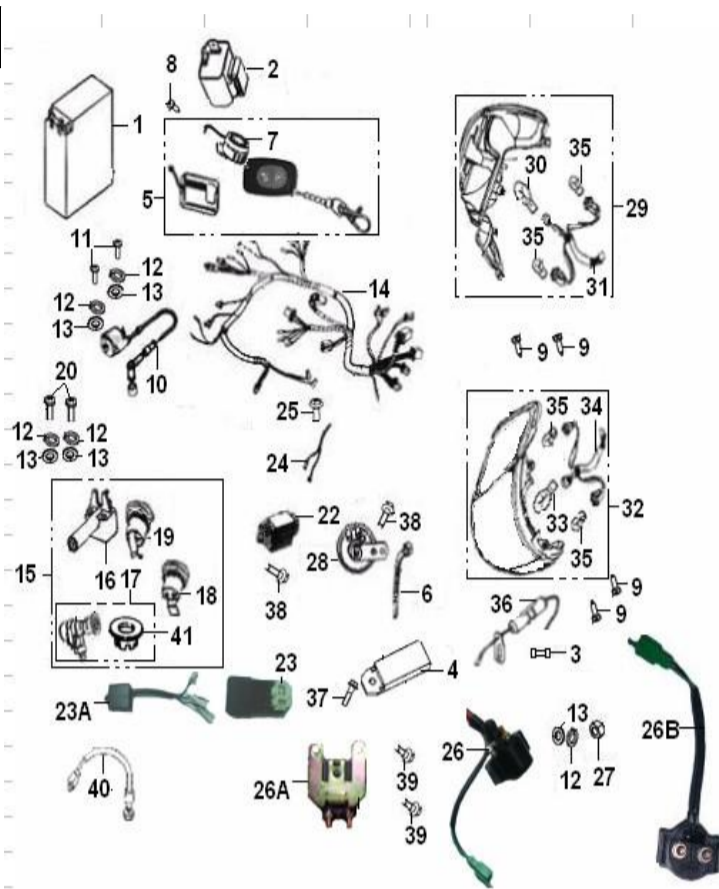
SPEEDOMETER ASSY.

NO.	CODE	DESCRIPTION	QTY.	NOTES	SEASON	OLD NUMBERS
1	7000B920038	SPEEDOMETER ASSY.	1			
2	72900J4FT000	CABLE ASSY, SPEEDOMETER	1			
3	B05074001205	TAPPING SCREW ST4X12	3			
4	B24012920000	BULB 12V-3W	2		70001BMBT000	
5	B24020221100	BULB 12V-2W	3		70036BMBT000	
6	88900B03000X	KEY NUT LEFT	1			
7	88900B03001X	KEY NUT RIGHT	1			



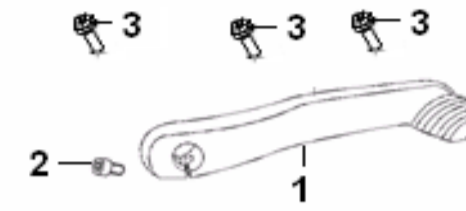
F21 ELECTRICAL EQUIPMENT ASSY.

NO.	CODE	DESCRIPTION	QTY.	NOTES	SEASON	OLD NUMBERS
1	96100BM0T000	BATTERY ASSY. 12V,4AH (YTX5L-BS)	1	used for vehicle with YTX5L-RS battery		96100B20T000
2	96400K00P001	FLASHER (Manual type)	1			
3	96800B20T000	FUSE COMP	1			
6	96001B20T000	BAND 8X200	4			
9	B05074801305	TAPPING SCREW ST4.8x13	4			B05004801305
10	96200B0DT000	COIL ASSY.,IGNITION	1			
11	B02000602064	SCREW M6x20	2			
12	B07000000604	WASHER SPRING 6	5			
13	B07030000604	WASHER 6	5			B07010000604
14	92000B20T00G	HARNESS, WIRING (with waterproof socket,Mark "DOT")	1			
14	92000B03001G	HARNESS, WIRING	1			
15	88000B20T00A	LOCK COMP.(with waterproof socket)	1			
16	88800B20T000	SEAT LOCK	1			
17	88100B20T00A	LOCK ASSY. STEERING ,(with waterproof socket)	1			
18	88400B20T000	LOCK FUEL TANK	1			
19	88200B20T000	LOCK, FRONT LUGGAGE BOX	1			
20	B02000604024	SCREW M6x40	2			B02000604064
21	08002B20T000	BOLT M6x20	4			
21	B01090601665	BOLT 6x16MM	2	only used for Q16-91		
22	98801J0ET000	RECTIFIER	1			
23A	97701BM0T000	C.D.I. UNIT COMP.	1			97701BM0T001
24	96900B00T000	WIRE, EARTH	1			
26	94000B20T000	RELAY ASSY.,STARTER	1	stop supplied, for VIN before		
26A	94100J000002	RELAY ASSY.,STARTER	1	new type relay, start VIN NO		94000B20T000
26B	94100K240000	STARTER RELAY COMP.	1	for VIN before NO TSYTAR2128R507		94000B20T000
27	B04000600054	NUT M6	1			B04000600064
28	95000B50T000	HORN ASSY.	1			
29	82008B20T001	TAIL LIGHT ASSY,RR DOT/VENTO	1			
30	B24013820000	TAIL LIGHT BULB 12V/21W/5W	1			82005B20T000
31	82900B20T001	WIRING ASSY. TAIL LIGHT	1			
32	80004B20T001	HEADLIGHT COMP. DOT/VEINTO	1			80000B030001
33	B24010520000	HEADLIGHT BULB 12V35/35W	1			80002B20T000
34	80020B20T000	WIRING ASSY.HEAD LIGHT	1			
35	B24020321102	INDICATOR BULB 12V/3W	4			81004B50T000
36	96810B20T000	FUSE	1			
38	B01090601665	BOLT 6x16MM	2			
39	B01090601065	BOLT 6x10MM	2	Used with new type relay (NO 26A)		
40	92200A020001	WIRE	1			
41	88101B030000	COVER MAIN SWITCH mark:on,off	1			



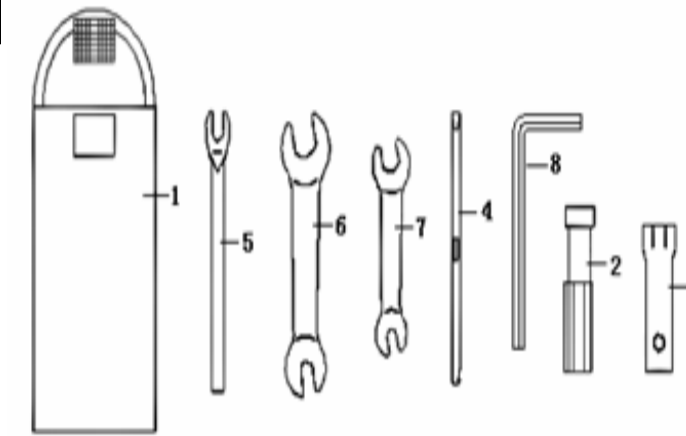
F22 ENGINE ATTACHMENT

NO.	CODE	DESCRIPTION	QTY.	NOTES	SEASON	OLD NUMBERS
1	08351BM0TC10	KICK STARTER ASSY.	1	for 2007 season	2006-2007	
1	08351BM0THU0	KICK STARTER ASSY.SILVER GRAY HU (for 2008 season)	1	for 2008 season	2008	
2	B02050602565	BOLT M6X25	1			
3	B01070602564	BOLT 6X25MM	2			



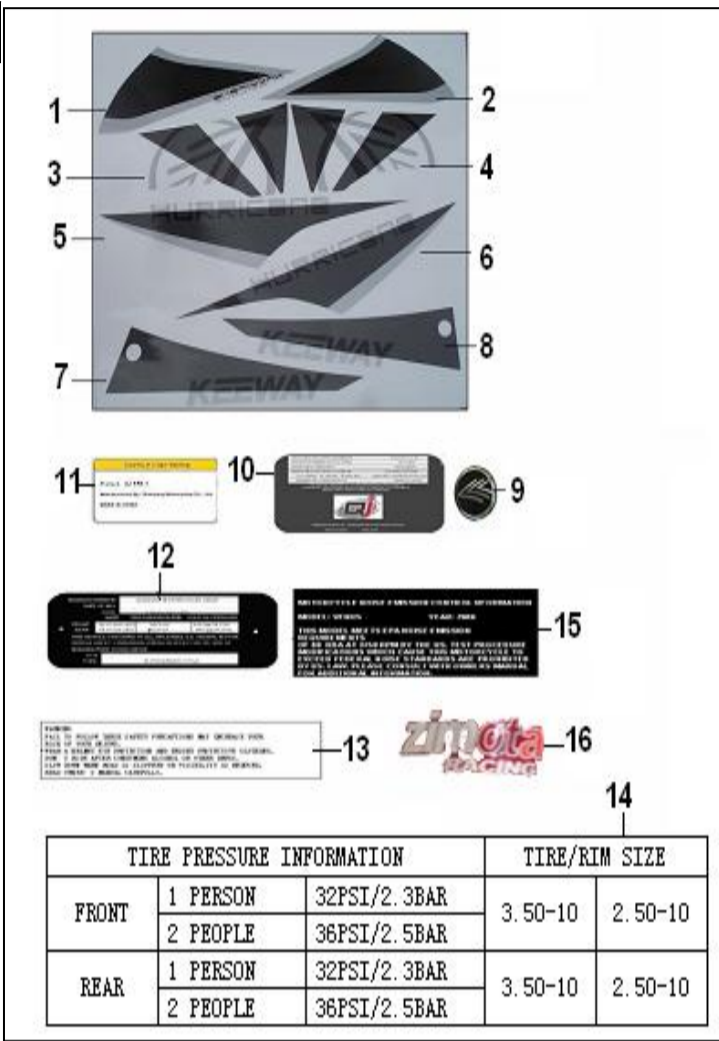
F23 TOOL KIT ASSY.

NO.	CODE	DESCRIPTION	QTY.	NOTES	SEASON	OLD NUMBERS
1	02110G00P000	BAG, TOOL KIT	1			
2	02104G00P000	HANDLE, SCREW DRIVER	1			
3	02101B20T000	SOCKET, SPARK PLUG	1			
4	02103G00P000	DRIVER, DOUBLE-ENDED	1			
5	02108G00P000	WRENCH	1			
6	B20011301603	WRENCH, DOUBLE-ENDED 13-16	1			B200113-1600 / B20011301600
7	B20011001203	WRENCH, DOUBLE-ENDED 10-12	1			B200110-1200 / B20011001200
8	B20020600003	SOCKET SPANNER 6	1			B20020600000



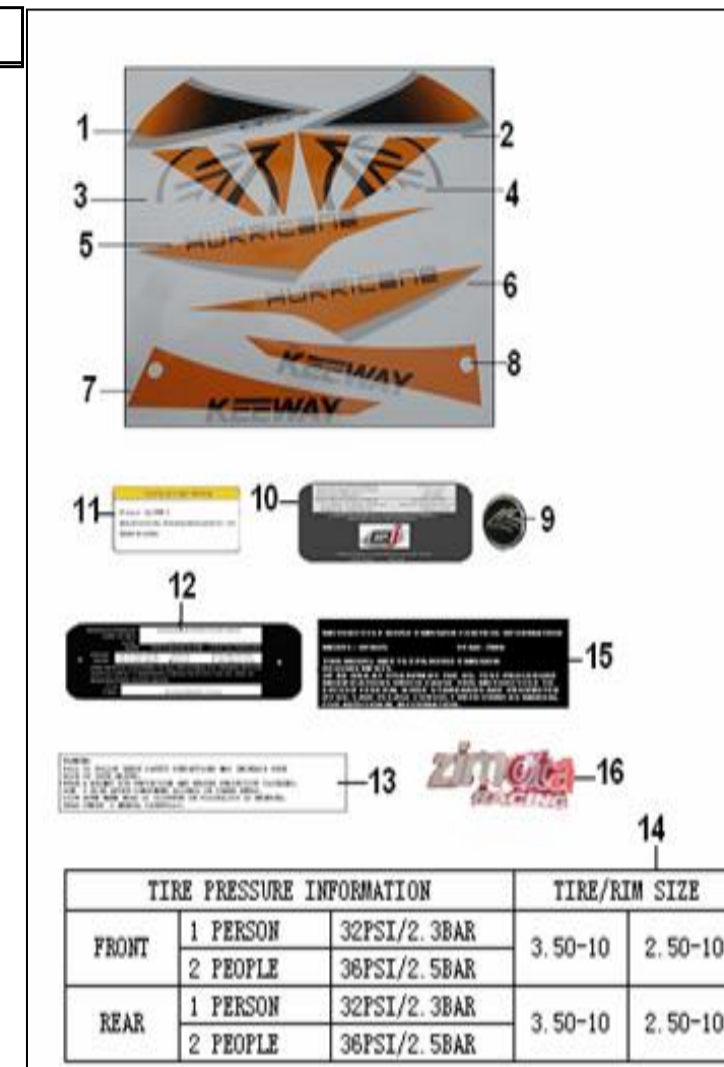
F24.1 STICKER for Gray HN vehicle

NO.	CODE	DESCRIPTION	QTY.	NOTES	SEASON	OLD NUMBERS
1	05522B20THNA	FRONT FENDER RIGHT STICKER	1		2007	
2	05521B20THNA	FRONT FENDER LEFT STICKER SILVER	1		2007	
3	05542B20THNA	STICKER,FENDER LEFT COVER I	1		2007	
4	05543B20THNA	STICKER,FENDER RIGHT COVER I	1		2007	
5	05512B20THNA	STICKER,RIGHT SIDE COVER	1		2007	
6	05513B20THNA	STICKER,LEFT SIDE COVER	1		2007	
7	05545B20THNA	STICKER,FENDER LEFT COVER II	1		2007	
8	05544B20THNA	STICKER,FENDER RIGHT COVER II	1		2007	
9	05525BMBT004	MARK ,BIRD BLACK	1		2007	
10	05531B20T000	EPA STICKER (2007 EPA)	1		2007	
10	05568B03000B	EPA STICKER (2008 EPA)	1		2008	
11	05504B20T000	STICKER,FR. COVER of HELMET BOX	1		2007	
12	57001B20T00J	PLATE, FRAME LABEL(U.S.A. VER.)	1		2007	
13	05535B20T000	WARNING STICKER (EPA)	1		2007	
14	05533B20T000	TIRE PRESSURE STICKER (EPA)	1		2007	
15	05536B20T000	NOISE CONTROL 2 (2007 EPA)	1		2007	
15	05536B030007	NOISE CONTROL 2 (2008 EPA)	1		2008	



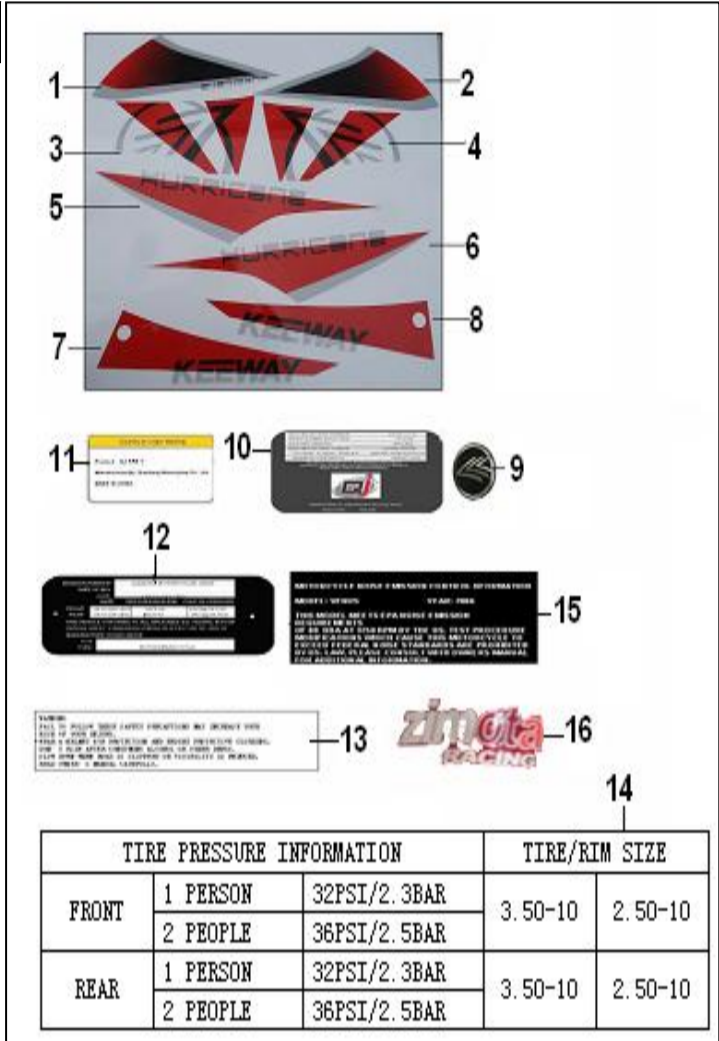
F24.2 STICKER for Orange M9 vehicle

NO.	CODE	DESCRIPTION	QTY.	NOTES	SEASON	OLD NUMBERS
1	05522B20TM9A	FRONT FENDER RIGHT STICKER	1		2007	
2	05521B20TM9A	FRONT FENDER LEFT STICKER	1		2007	
3	05542B20TM9A	STICKER,FENDER LEFT COVER I	1		2007	
4	05543B20TM9A	STICKER,FENDER RIGHT COVER I	1		2007	
5	05512B20TM9A	STICKER,RIGHT SIDE COVER	1		2007	
6	05513B20TM9A	STICKER,LEFT SIDE COVER	1		2007	
7	05545B20TM9A	STICKER,FENDER LEFT COVER II	1		2007	
8	05544B20TM9A	STICKER,FENDER RIGHT COVER II	1		2007	
9	05525BMBT004	MARK ,BIRD BLACK	1		2007	
10	05531B20T000	EPA STICKER (2007 EPA)	1		2007	
10	05568B03000B	EPA STICKER (2008 EPA)	1		2008	
11	05504B20T000	STICKER,FR. COVER of HELMET BOX	1		2007	
12	57001B20T00J	PLATE, FRAME LABEL(U.S.A. VER.)	1		2007	
13	05535B20T000	WARNING STICKER (EPA)	1		2007	
14	05533B20T000	TIRE PRESSURE STICKER (EPA)	1		2007	
15	05536B20T000	NOISE CONTROL 2 (2007 EPA)	1		2007	
15	05536B030007	NOISE CONTROL 2 (2008 EPA)	1		2008	



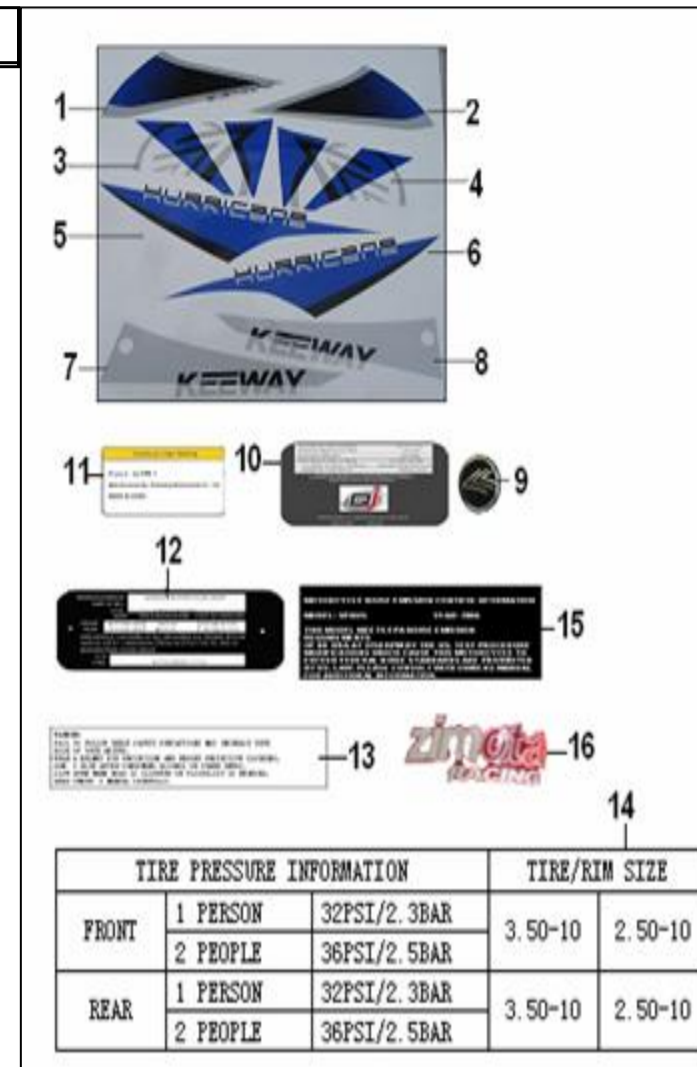
F24.3 STICKER for Red R8 vehicle

NO.	CODE	DESCRIPTION	QTY.	NOTES	SEASON	OLD NUMBERS
1	05522B20TR8A	FRONT FENDER RIGHT STICKER	1		2007	
2	05521B20TR8A	FRONT FENDER LEFT STICKER	1		2007	
3	05542B20TR8A	STICKER,FENDER LEFT COVER I	1		2007	
4	05543B20TR8A	STICKER,FENDER RIGHT COVER I	1		2007	
5	05512B20TR8A	STICKER,RIGHT SIDE COVER	1		2007	
6	05513B20TR8A	STICKER,LEFT SIDE COVER	1		2007	
7	05545B20TR8A	STICKER,FENDER LEFT COVER II	1		2007	
8	05544B20TR8A	STICKER,FENDER RIGHT COVER II	1		2007	
9	05525BMBT004	MARK ,BIRD BLACK	1		2007	
10	05531B20T000	EPA STICKER (2007 EPA)	1		2007	
10	05568B03000B	EPA STICKER (2008 EPA)	1		2008	
11	05504B20T000	STICKER,HELMET BOX FR COVER	1		2007	
12	57001B20T00J	PLATE, FRAME LABEL(U.S.A. VER.)	1		2007	
13	05535B20T000	WARNING STICKER (EPA)	1		2007	
14	05533B20T000	TIRE PRESSURE STICKER (EPA)	1		2007	
15	05536B20T000	NOISE CONTROL 2 (2007 EPA)	1		2007	
15	05536B030007	NOISE CONTROL 2 (2008 EPA)	1		2008	



F24.4 STICKER for Blue EN vehicle

NO.	CODE	DESCRIPTION	QTY.	NOTES	SEASON	OLD NUMBERS
1	05522B20TENA	FRONT FENDER RIGHT STICKER	1		2007	
2	05521B20TENA	FRONT FENDER LEFT STICKER	1		2007	
3	05542B20TENA	STICKER,FENDER LEFT COVER I	1		2007	
4	05543B20TENA	STICKER,FENDER RIGHT COVER I	1		2007	
5	05512B20TENA	STICKER,RIGHT SIDE COVER	1		2007	
6	05513B20TENA	STICKER,LEFT SIDE COVER	1		2007	
7	05545B20TENA	STICKER,FENDER LEFT COVER II	1		2007	
8	05544B20TENA	STICKER,FENDER RIGHT COVER II	1		2007	
9	05525BMBT004	MARK ,BIRD BLACK	1		2007	
10	05531B20T000	EPA STICKER (2007 EPA)	1		2007	
10	05568B03000B	EPA STICKER (2008 EPA)	1		2007	
11	05504B20T000	STICKER,HELMET BOX FR COVER	1		2007	
12	57001B20T00J	PLATE, FRAME LABEL(U.S.A. VER.)	1		2007	
13	05535B20T000	WARNING STICKER (EPA)	1		2007	
14	05533B20T000	TIRE PRESSURE STICKER (EPA)	1		2007	
15	05536B20T000	NOISE CONTROL 2 (2007 EPA)	1		2007	
15	05536B030007	NOISE CONTROL 2 (2008 EPA)	1		2007	



F25 BACK BOX ASSY

NO.	CODE	DESCRIPTION	QTY.	NOTES	SEASON	OLD NUMBERS
1	52200B20TM90	BACK BOX ASSY (ORANGE M9)	1	for orange M9 vehicle	2007	
1	52200B20TR80	BACK BOX ASSY (RED R8)	1	for Red R8 vehicle	2007	
1	52200B20THN0	BACK BOX ASSY (SILVER HN)	1	for Grey HN vehicle	2007	
1	52200B20TEN0	BACK BOX ASSY (BLUE EN)	1	for Blue EN vehicle	2007	
2	B01010602524	BOLT M6X25	4			B01010602564
3	88600BMBT000	BACK BOX LOCK	1			
4	52221BMBT000	WASHER	4			
5	B07020000604	WASHER 6	4			
6	B07000000604	WASHER SPRING , 6	4			
7	B04000600055	NUT M6	4			B04000600065
8	B01010601224	BOLT 6X12MM	4			B01010601264
9	52183B20T000	FIX BOARD	1			
10	52181B20T000	FIX BOARD I	1			
11	52182B20T000	FIX BOARD II	1			
12	05591BMBT000	BACK BOX COVER	1			
13	B01070601663	SCREW M6x16	2			
14	52910BMBT000	NUT,CLIPPING M6	2			

