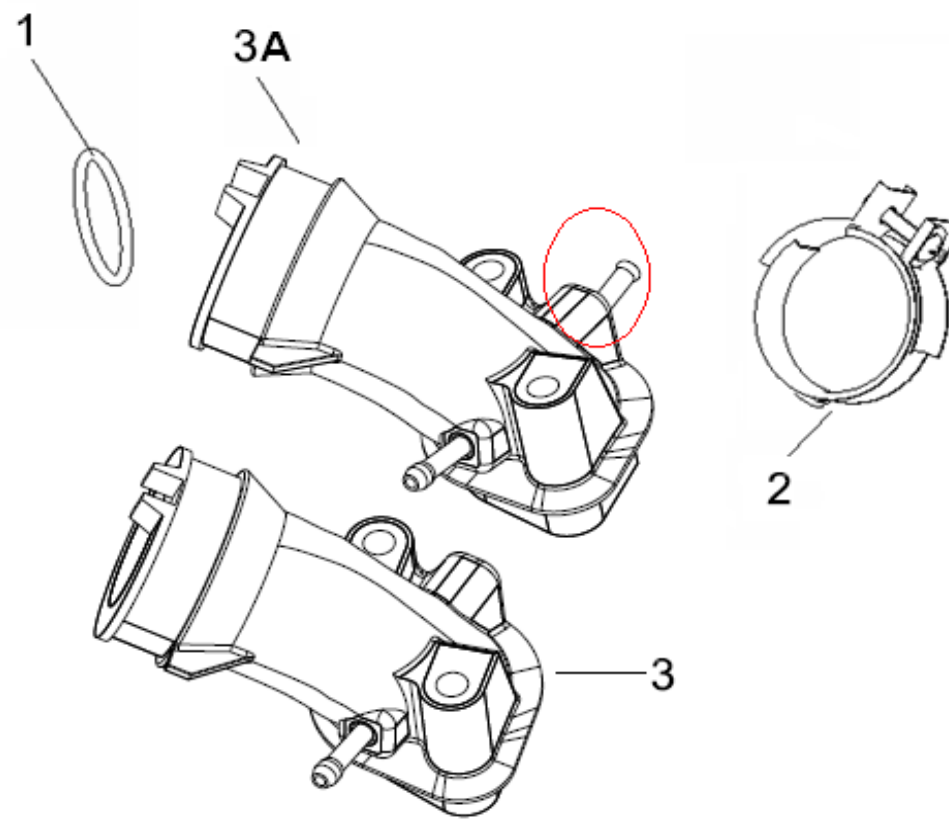


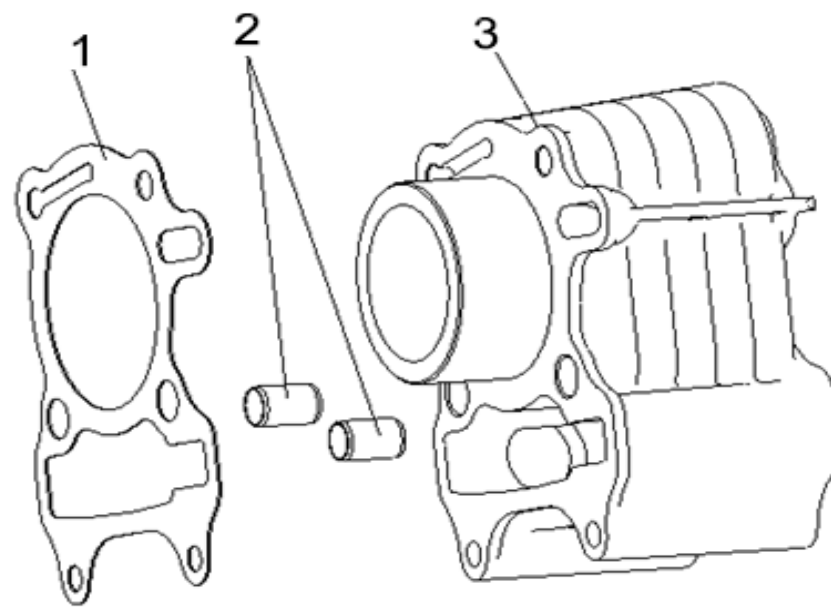
E01 CYLINDER COVER ASSY

NO.	CODE	EN DESCRIPTION	Qty/Unit
1	100031270000	CYLINDER HEAD	1
2	109071270000	GASKET, CYLINDER HEAD	1
3	129181270000	INLET VALVE	1
4	299075040001	SPARK PLUG	1
5	129191270000	VALVE,EX	1
6	150083070000	PINA,DOWEL (Φ10×14)	2
7	129211270000	SEAT,VALESPRING	2
8	129251270000	SPRING,VALVE	2
9	120131270000	DOUBLE END STUD,EXHAUST	2
10	120013050000	SEAL RING,VALVE STEM	2
11	120031270000	O-RING(40X2.65)	2
12	120021270000	VALVE COVER	2
13	100071270000	WASHER	2
14	120111270000	ACORN NUT	4
15	129131270000	ROCKER ARM, EXHAUST VALVE	2
16	120011270000	SHAFT, ROCKER ARM	2
17	129091270000	SHAFT,ROCKET VALVE	1
18	120101270000	GASKET	2
20	129231270000	SCREW, TAPPET ADJUSTING	2
21	129241270000	NUT, TAPPET ADJUSTING	2
22	129331270000	UPPER SEAT,VALVE SPRING	2
23	129221270000	COTTER,VALVE	4
24	120121270000	DOUBLE END STUD,INLET	2
25	110011270000	INSULATOR CARBURETOR	1
26	119071270000	PAPER PAD, INSULATOR CARBURETOR	1
27	120183050000	WASHER	2
28	120041270000	PLATE	1
29	B01070601064	BOLT M6×10	1
30	120091270000	SPROCKET COVER ASSEMBLY	1
31	B01070602064	BOLT M6×20	2
32	B0107060806	BOLT M6×80	2
34	B0407060005	NUT,FLANGE(M6)	4
35	120071270000	CAMSHAFT SPROCKET	1
36	22007208002	BOLT M8×16	1
37	100061270000	O-RING(68X2.5)	1
38	150103070000	PLUG	1



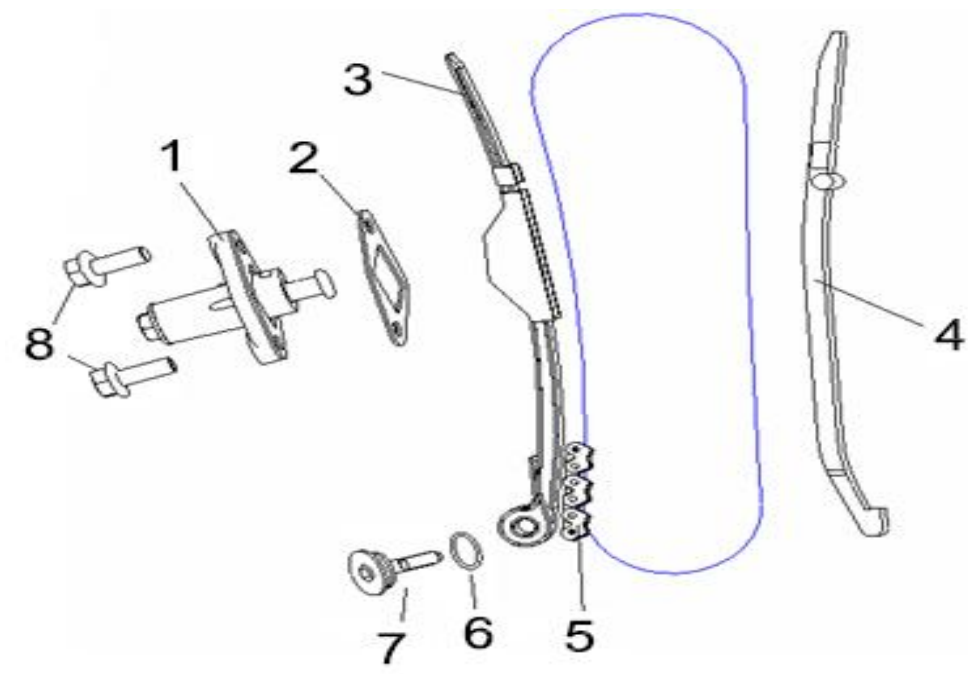
E02 AIR INTAKE SYSTEM

NO.	CODE	EN DESCRIPTION	Qty/Unit
1	110021270000	O RING	1
2	110121140000	CLIP	1
3	119011270010	PIPE, INTAKE	1
3A	119011270000	PIPE, INTAKE	1



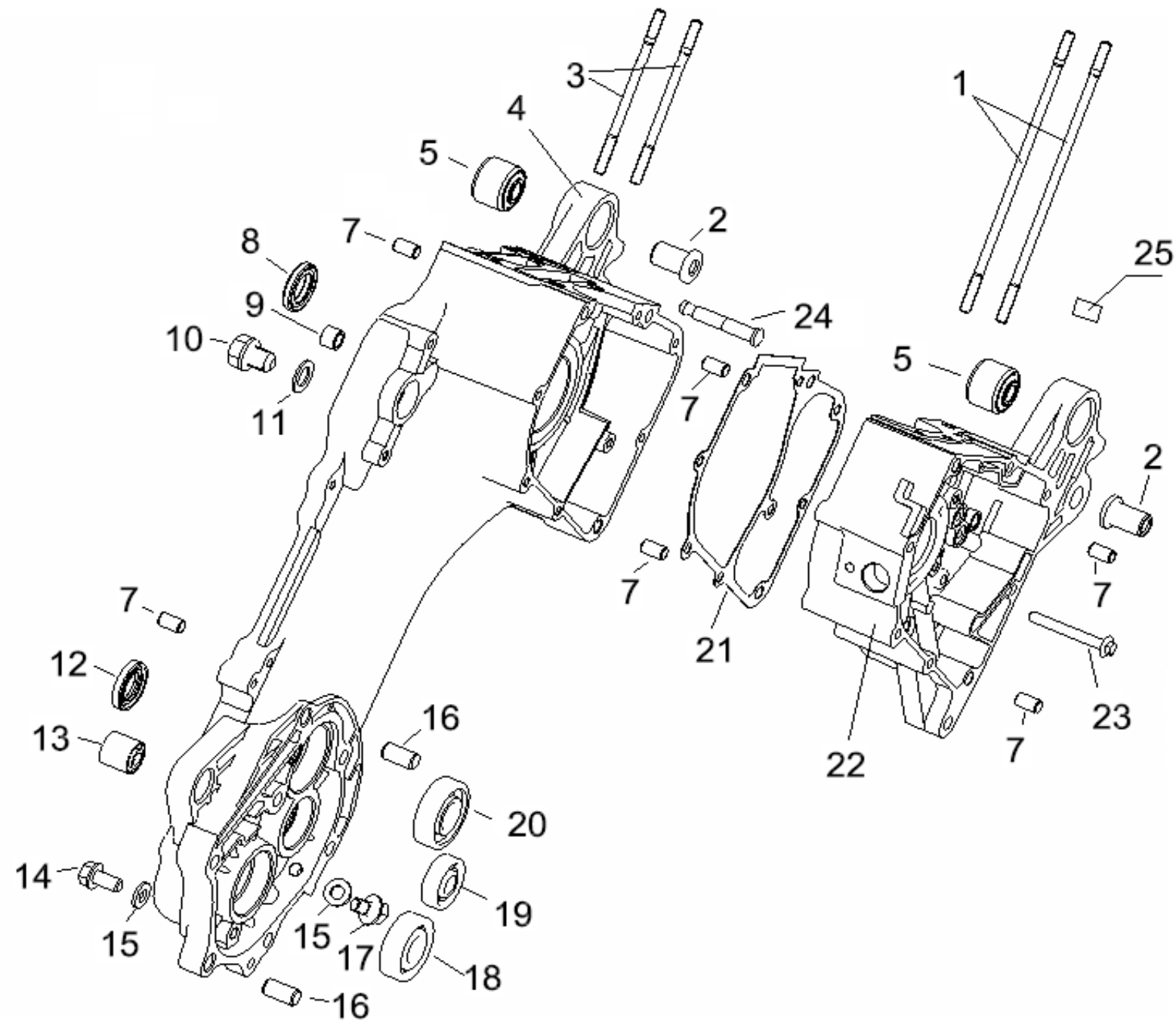
E03 CYLINDER ASSY

NO.	CODE	EN DESCRIPTION	Qty/Unit
1	139021270020	GASKET,CYLINDER	1
2	150083070000	DOWEL PIN	2
3	139031270000	CYLINDER	1



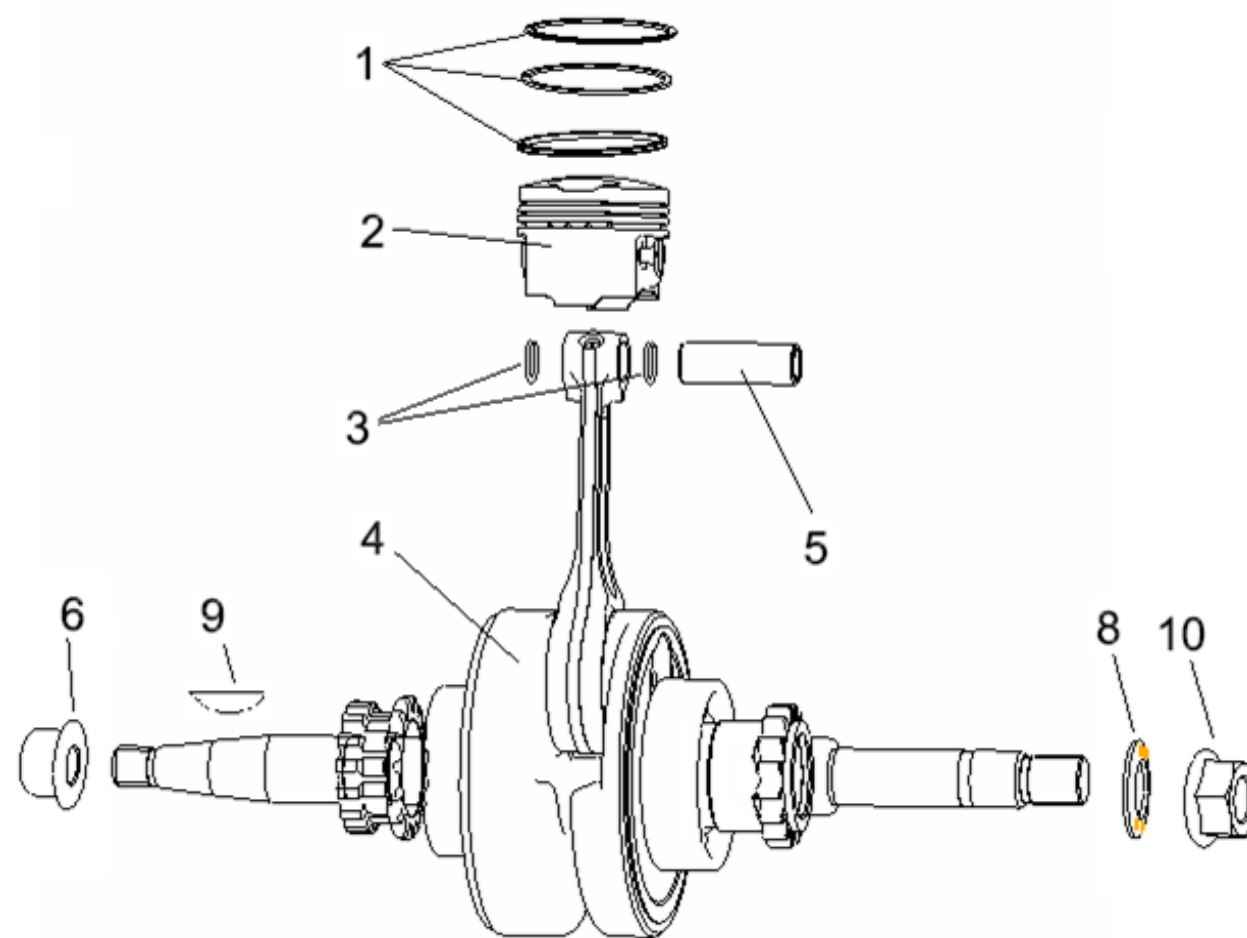
E04 TENSIONER ASSY

NO.	CODE	EN DESCRIPTION	Qty/Unit
1	149031270000	TENSIONER	1
2	140051270000	WASHER	1
3	140011270000	GUAID CHAIN PLATE	1
4	140021270000	SUB-GUAID CHAIN PLATE	1
5	140041270000	CHAIN 78	1
6	140023050000	O RING	1
7	14004305001X	SCREW	1
8	B01070601664	BOLT M6×16	2



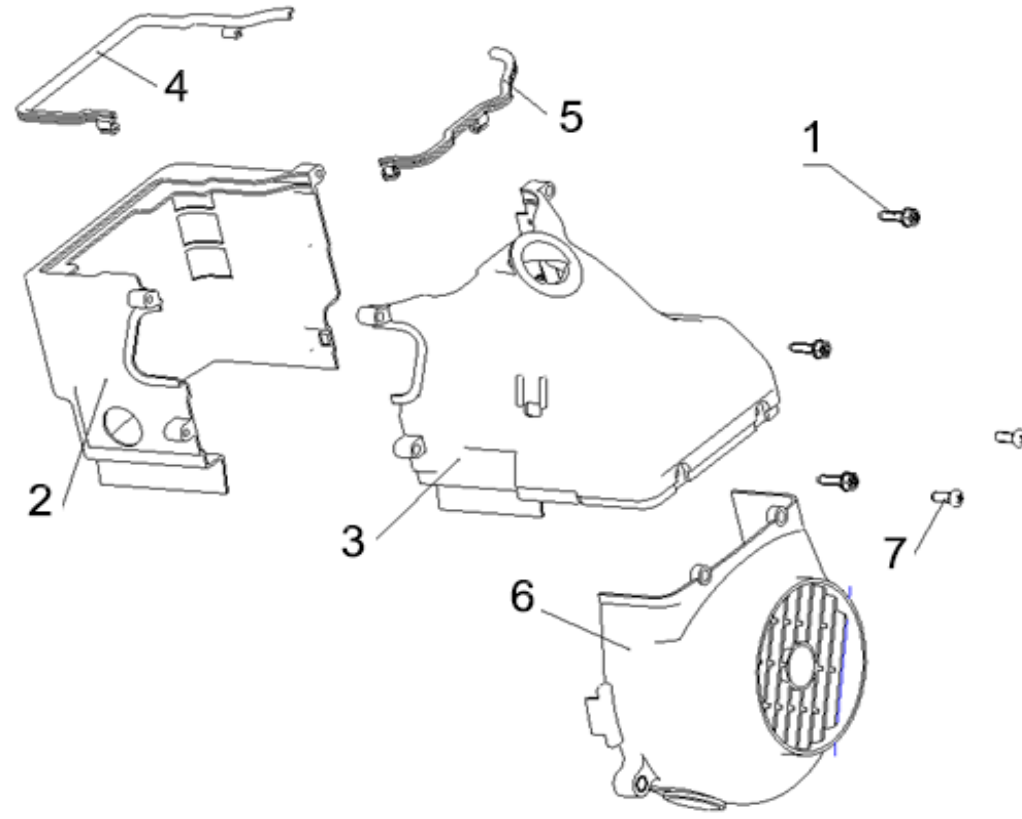
E05 CRANKCASE ASSY,LEFT&RIGHT

NO.	CODE	EN DESCRIPTION	Qty/Unit
1	15911270000	STUD BOLT (B)	2
2	270121140000	COLLOR	2
3	159101270000	STUD BOLT (A)	2
4	159021270000	CRANKCASE,LEFT	1
5	150011270000	BUSH, ENGINE HANGER	2
7	150043050000	PIN,DOWEL	6
8	170021270000	OIL SEAL	1
9	160011210000	STARTER BEARINGS.	1
10	15006305002X	DRAIN PLUG SCREW	1
11	210382140030	WASHER	1
12	150011210000	OIL SEAL 17x30x5	1
13	150012080000	BUSH	1
14	22007208002X	FLANGE BOLT	1
15	210013050000	WASHER	2
16	130023070000	DOWEL PIN	2
17	B01070801264	FLANGE BOLT	1
18	B1201602030	BEATRING	1
19	B12016020101	BEARING	1
20	150031140000	BEARING	1
21	150071270000	GASKET	1
22	15903127000	CRANKCASE ASSY,RIGHT	1
22	159031270040	CRANKCASE ASSY,RIGHT	1
23	B01070605064	FLANGE BOLT M6x50	1
24	150051270000	HOLD THE SPRING IN A FIXED AXIS.	1
25	150031270000	PLUG	1



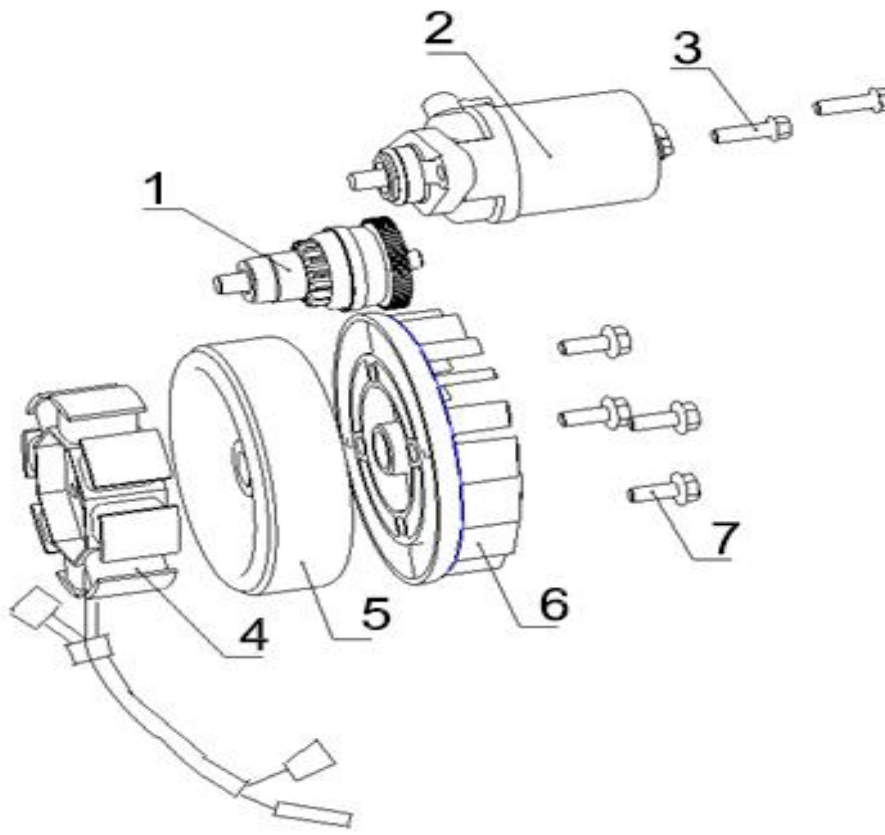
E06 CONNECTING ROD&PISTON ASSY

NO.	CODE	EN DESCRIPTION	Qty/Unit
1	170011270000	PISION RING SET.	1
2	179131270000	PISTON	1
3	170011160000	CLIP,PISTON PIN	2
4	179011270000	PISTON ROD SET	1
5	179141270000	PIN,PISTON	1
6	260092140000	NUT	1
8	200152140000	WASHER	1
9	110029990000	PIN	1
10	27002305001X	FLANGE NUT	1



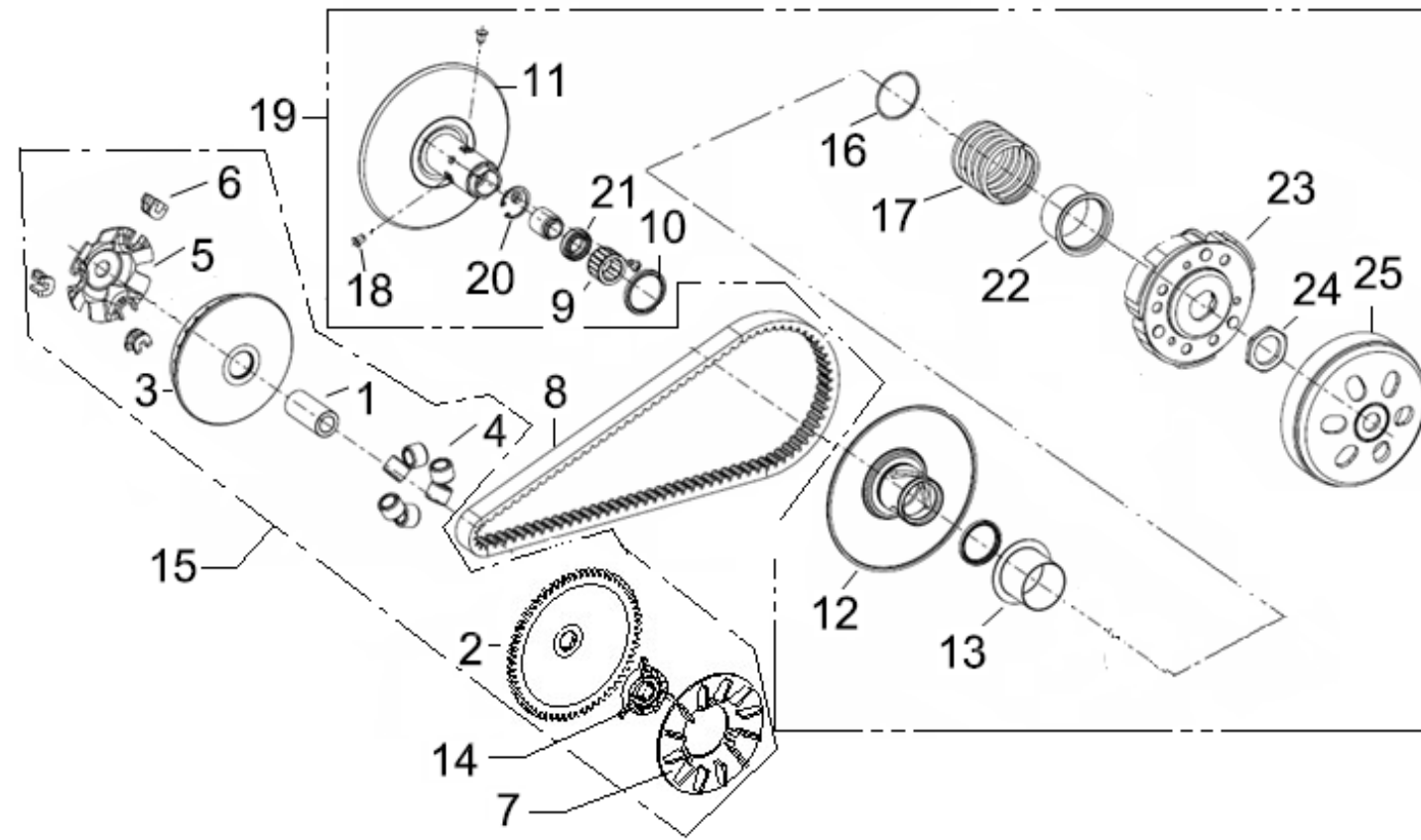
E07 WIND SCOOPER

NO.	CODE	EN DESCRIPTION	Qty/Unit
1	B0507480200	SCREW 4.8x20	3
2	270011270000	SHROUD, UPPER	1
3	270021270000	SHROUD, LOWER	1
4	270041270000	SEAL SHROUD, UPPER	1
5	270051270000	SEAL SHROUD, LOWER	1
6	279071140000	COVER, FAN ASSY	1
7	B0514480160	SCREW 4.8x16	2



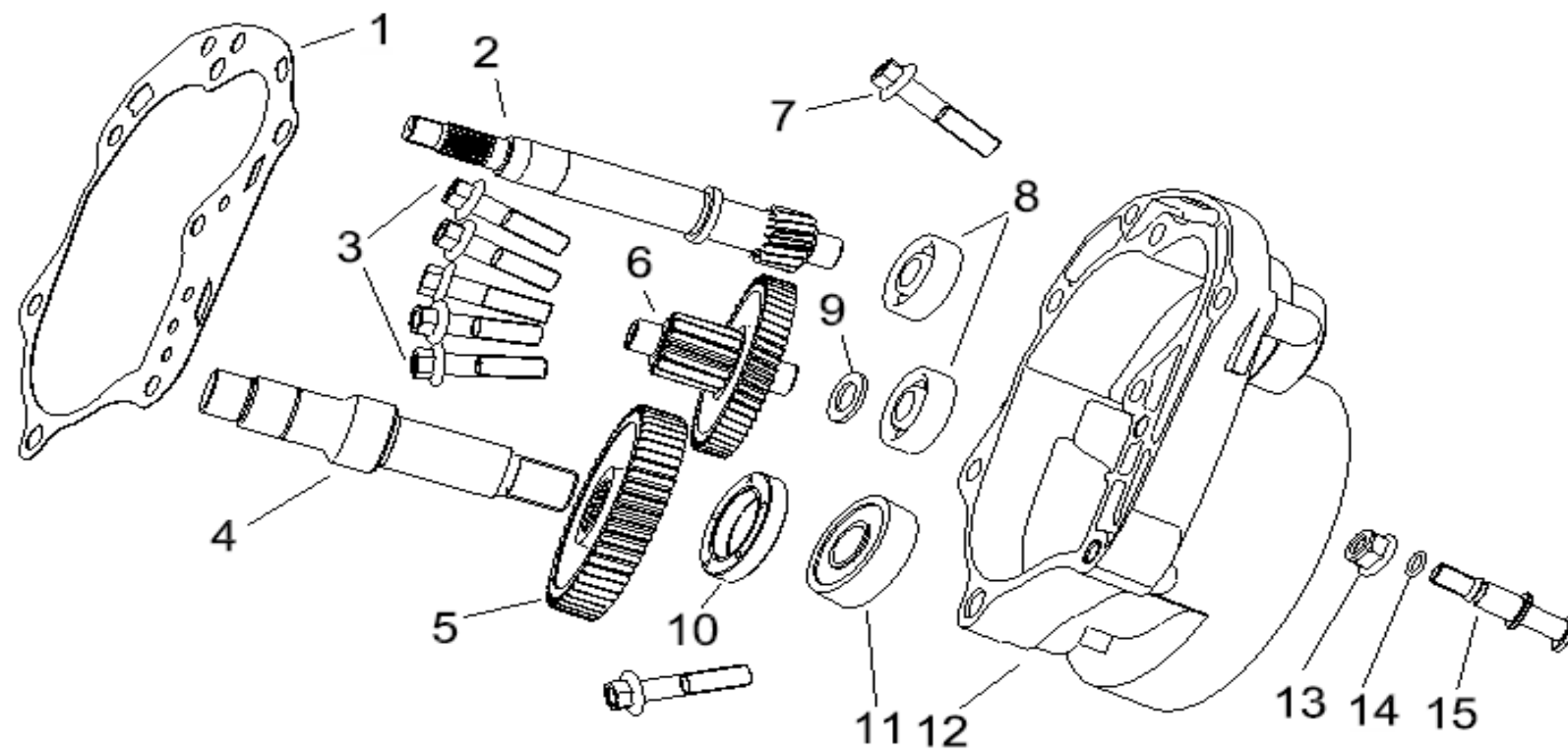
E08.STARTER MOTOR ASSY.

NO.	CODE	EN DESCRIPTION	Qty/Unit
1	240051140000	STARTER ADAPTER ASSEMBLY	1
2	249011140000	STARTER MOTOR ASSEMBLY	1
3	B0107060206	BOLT M6x20	2
4	299031270010	COIL ASSEMBLY 12POLES	1
5	299021270010	FLY WHEEL ASSY	1
6	270141140000	FAN ASSEMBLY	1
7	B0107060166	BOLT M6x16	4



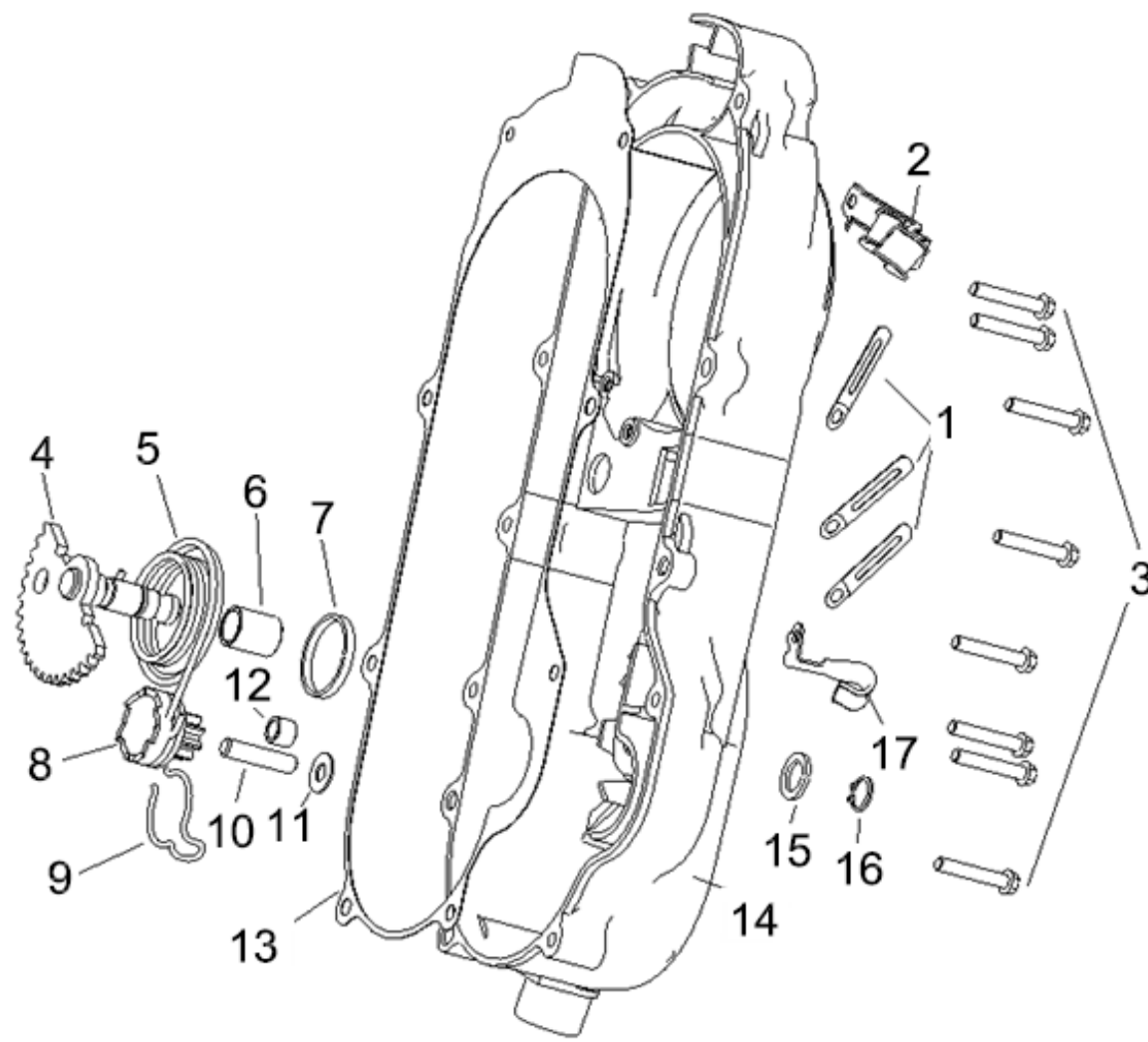
E09. CLUTCH ASSY

NO.	CODE	EN DESCRIPTION	Qty/Unit
1	200081140000	COLLAR	1
2	200071140000	MAIN FIXED-GEAR	1
3	200121140000	FACE, MOVABLE DRIVE	1
4	200141140000	ROLLER 6.5G	6
5	220031210000	CHUCK	1
6	220041210000	SLIDER	3
7	200061140000	FAN ASSY	1
8	229011140000	V BELT, DRIVE	1
9	B1212K171801	BEARING	1
10	200031210000	OIL SEAL	1
11	200041210000	DRIVEN WHEEL FIXED HALF ASSEMBLY	1
12	200051210000	DRIVEN WHEELS MOVE HALF COMPONENTS	1
13	200061210000	RIGHT SPRING SEAT	1
14	200051140000	STARTER SEAT	1
15	20003114000Z	BEFORE THE CLUTCH ASSEMBLY	1
16	200071210000	O-RING	1
17	200081210000	SPRING	1
18	200091210000	PIN, ROLLER GUIDE	3
19	209001140000	AFTER THE CLUTCH ASSEMBLY	1
20	B08000002402	CIRCLIP 24	1
21	B12016190101	ROLLER, GUIDE	1
22	200101210000	LEFT SPRING SEAT	1
23	200111210000	SHOE COMPONENTS	1
24	200121210000	NUT, SPECIAL	1
25	220171140000	CLUTCH OUTER	1



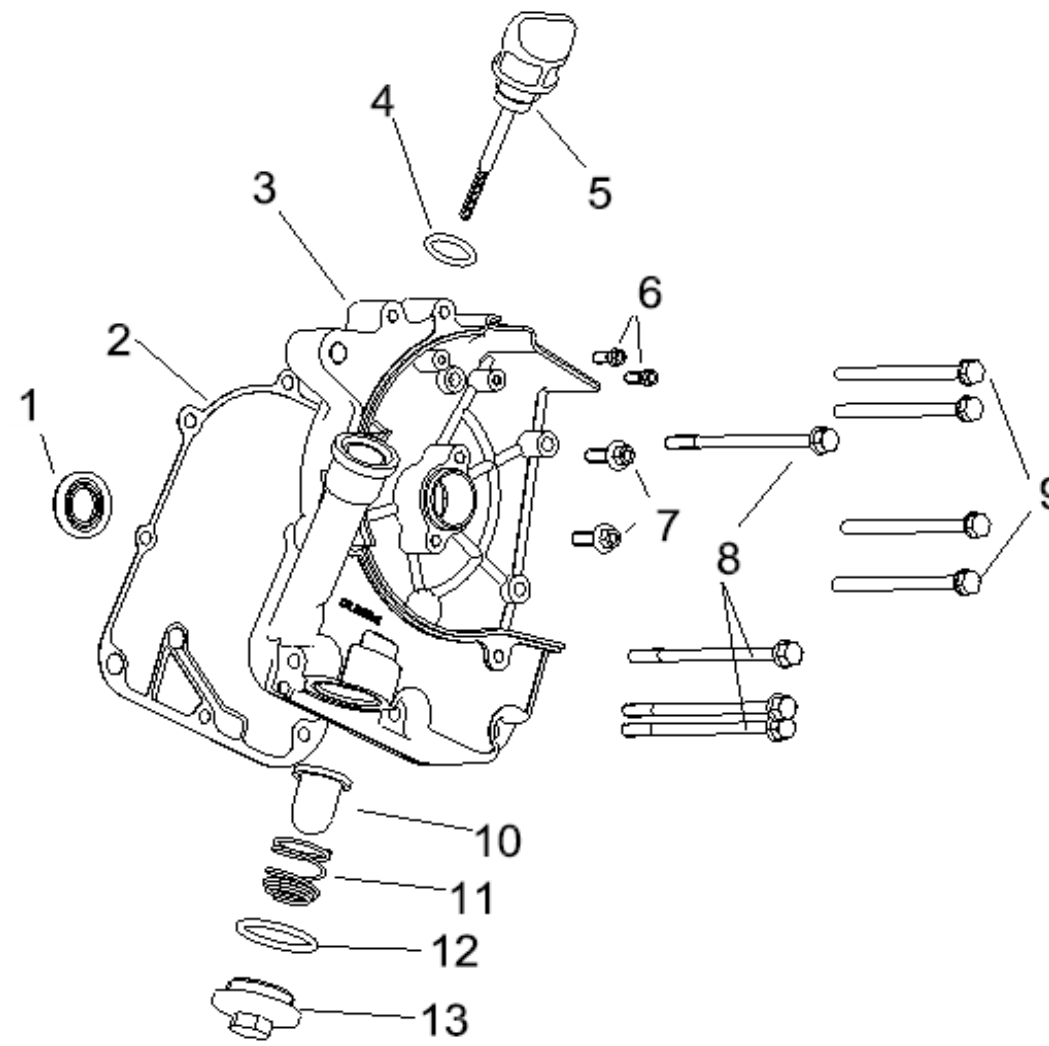
E10 GEAR CHAMBER CAP

NO.	CODE	EN DESCRIPTION	Qty/Unit
1	240011270000	GASKET,GEAR CHAMBER COVER	1
2	229041270000	INPUT DRIVE SHAFT	1
3	B01070803564	FLANGE BOLT M8x35	5
4	229081140000	OUTPUT DRIVE SHAFT	1
5	229091270000	GEAR, OUTPUT DRIVE SHAFT	1
6	220061270000	GEAR ASSY MIDDLE	1
7	B01070804064	FLANGE BOLT M8x40	2
8	B12016020101	BEARING	2
9	220031140000	WASHER 12	1
10	150113050000	SEAL RING	1
11	B12016000400	BEARING	1
12	240011140001	GEAR CHAMBER COVER	1
13	B04170800052	FLANGE NUT,LOCK M8	1
14	150073050000	O RING	1
15	240031140000	PIN	1



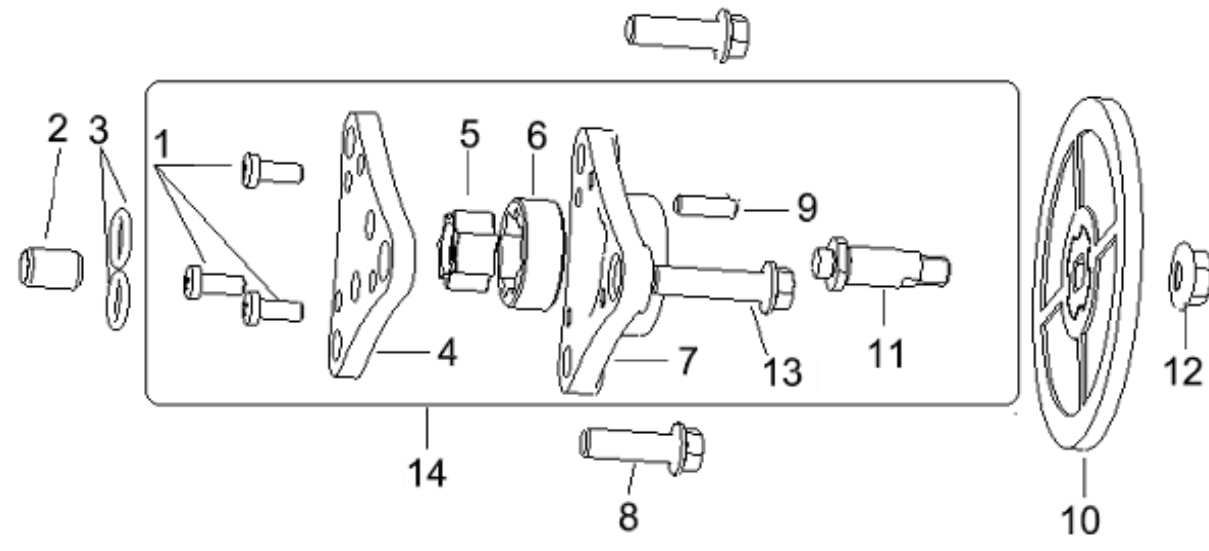
E11 CLUTCH COVER ASSY

NO.	CODE	EN DESCRIPTION	Qty/Unit
1	160121170000	CLIP	3
2	160081140000	CLAMP	1
3	B01070603564	FLANGE BOLT M6x35	8
4	160161140000	FAN GEAR COMPONENTS	1
5	160121140000	SPRING	1
6	160021210000	BUSH	1
7	160131140000	FRICTION PAD	1
8	160151140000	STARTER RATCHET WELDING COMPONENTS	1
9	160111140000	CLIP	1
10	150092080000	IDLE GEAR	1
11	160101140000	CIRCLIP	1
12	160011210000	STARTER BEARINGS.	1
13	169071270030	GASKET,CLUTCH COVER,LH	1
14	169021140121	COVER,CLUTCH,LH	1
15	160171140000	CIRCLIP 14	1
16	B080100014A1	CIRCLIP	1
17	16003305002X	CLAMP,BRAKE CABLE	1



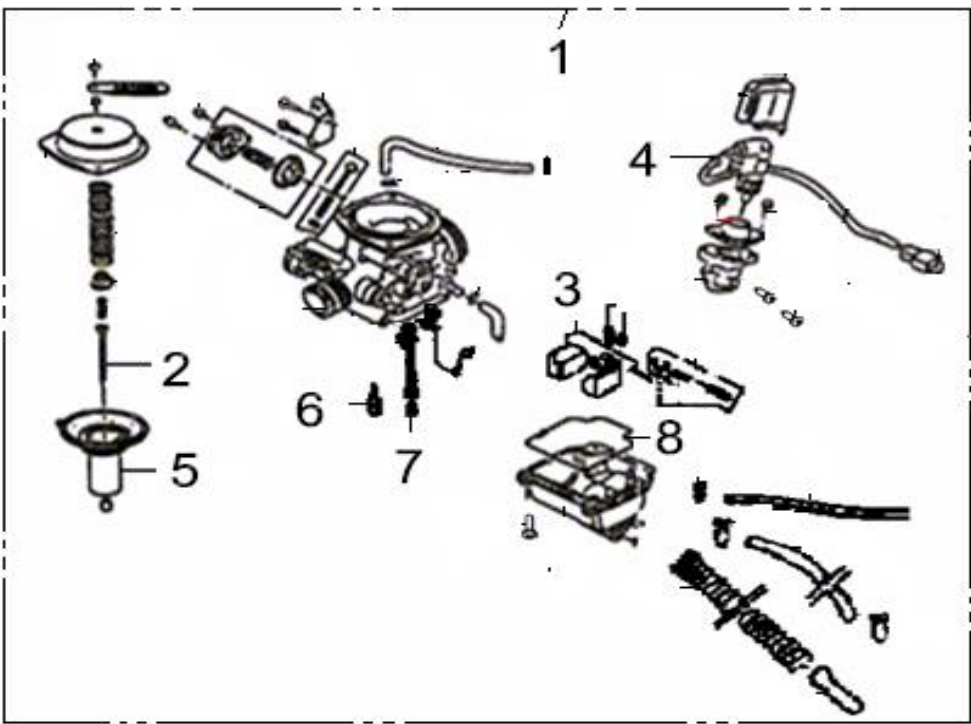
E12 COVER,RIGHT CRANKCASE

NO.	CODE	EN DESCRIPTION	Qty/Unit
1	160031140000	OIL SEAL	1
2	169111270000	PAD, COVER, R.CRANKCASE	1
3	169101140000	COVER, R.CRANKCASE	1
3	169101140011	COVER, R.CRANKCASE	1
4	160063070000	O RING 18X3.5	1
5	169183050000	GAUGE,OIL LEVEL	1
6	B01090501263	FLANGE BOLT M5x12	2
7	B01070601864	FLANGE BOLT M6x18	2
8	17001305002X	BOLT	4
9	B01070608563	FLANGE BOLT M6x85	4
10	150093070000	STRAINER,OIL	1
11	160013050000	SPRING,STAINER	1
12	160023050000	O RING	1
13	16004305001X	PLUG,DRAIN	1



E13 OIL PUMP ASSY

NO.	CODE	EN DESCRIPTION	Qty/Unit
1	B02040400963	SCREW	3
2	260021140000	DOWEL PIN	1
3	260031140000	O RING	2
4	260051140000	SEAT, OIL PUMP	1
5	B01070602564	FLANGE BOLT M6x25	1
6	26900114001Z	OIL PUMP ASSY	1
7	269091140000	BODY,OIL PUMP	1
8	B01070602063	FLANGE BOLT M6x20	2
9	260041140000	PIN	1
10	260011140000	GEAR,OIL PUMP DRIVEN	1
11	269081140000	SHAFT,OIL PUMP	1
12	B04070600054	FLANGE NUT M6	1



E14 CARBURETOR ASSY

NO.	CODE	EN DESCRIPTION	Qty/Unit
1	3390009E0011	CARBURETOR MJ140#,NJ12.5#,mark:17	1
2	3324205E0320	NEEDLE,JET	1
3	3340106E0000	FLOAT	1
4	3360101K0000	THERMO ASSY	1
5	3322209E0000	VALVE ASSY, PISTON	1
6	3322105E0320	JET, IDLE 12.5#	1
7	3311505E0321	JET, MAIN 140# mark:140A	1
8	3351406E0000	SEAL	1