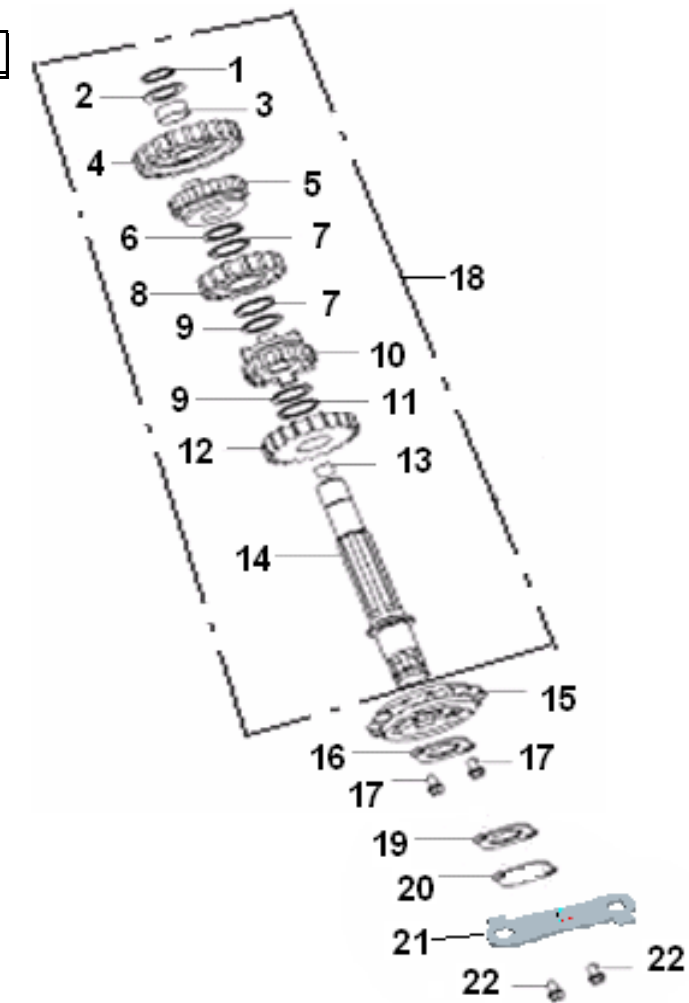


QJ2V49FM JCK(Q16-00)(16-32)-QJ250-L-1A(1011303.00801)  
 QJ2V49FM JCK (Q16-27) -QJ250-L (EPA) -1A(1021303.01801)  
 1011303.00801  
 S.P. CATALOG FOR KEEWAY CRUISER 250, 2006-2008 VER.  
 ENGINE MODEL: KW2V49FMM  
 MARKET APPLICABLE: NON-EEC; EEC2, EPA

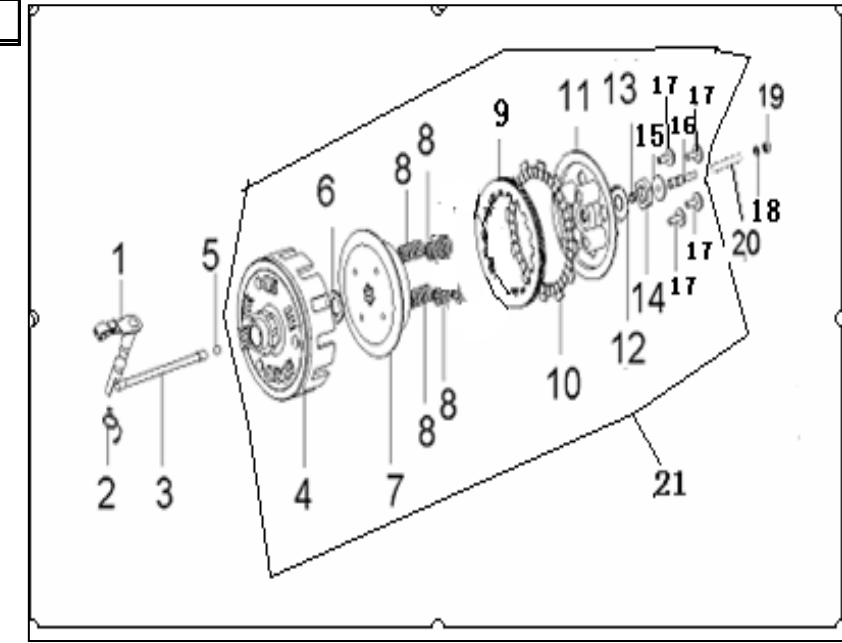
E01 COUNTERSHAFT ASSY

NO.	CODE	DESCRIPTION	QTY.	NOTES	Season	Market	OLD CODE
1	B08010002000	CIRCLIP 20	1				
2	17307N04F000	WASHER	1				
3	17306N04F000	BUSH	1				
4	17305N04F000	GEAR, 1st driven	1				
5	17312N04F000	GEAR, 4st driven	1				
6	B08010002500	CIRCLIP	1				
7	17310N04F000	WASHER	2				
8	17311N04F000	GEAR, 3rd driven	1				
9	17346N04F000	CIRCLIP	2				
10	17320N04F000	GEAR, 5th driven	1				
11	17348N04F000	WASHER	1				
12	17309N04F000	GEAR, 2nd driven	1				
13	17347N04F000	SLIP WAHER 2	1				
14	17303N04F000	SHAFT,DRIVEN	1				
15	17340N04F000	SPROCKET ASSY	1				
16	17344N04F940	WASHER, lock	1				
17	B01010601063	BOLT	2	only for vehicle with old clutch, VIN NO. before 55000772			
18	209102.014000	DRIVEN SHAFT, ASSY	1				
19	210365040000	CAP , SPROCKET	1	only for vehicle with new clutch, Start VIN NO. 55000772			B01010601063
20	210355040000	CAP , OIL PUMP	1	only for vehicle with new clutch, Start VIN NO. 55000772			
21	210345040000	GASKET	1	only for vehicle with new clutch, Start VIN NO. 55000772			
22	B01030601663	BOLT	2	only for vehicle with new clutch, Start VIN NO. 55000772			



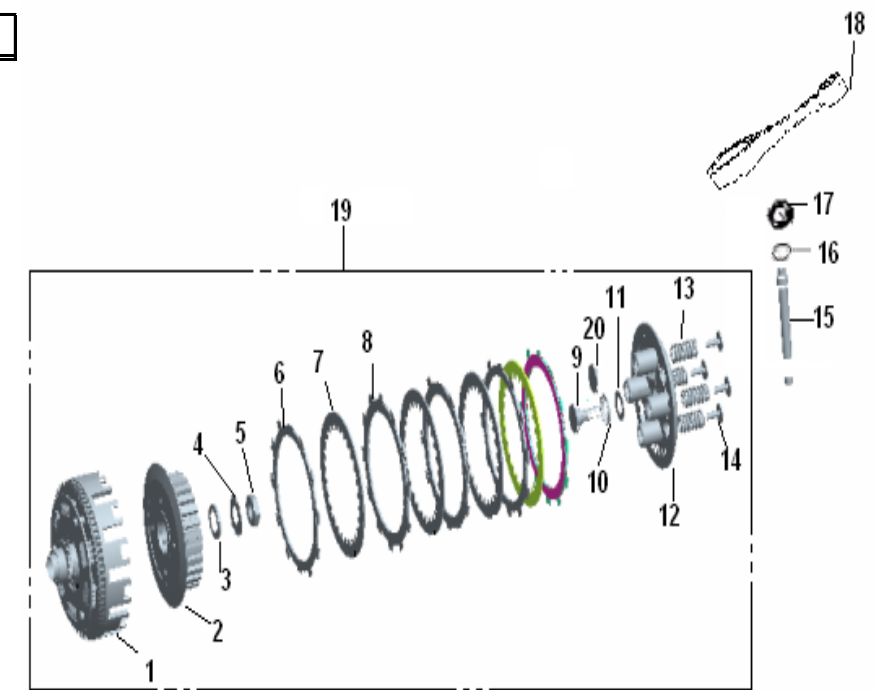
E02.1 CLUCTH ASSY

NO.	CODE	DESCRIPTION	QTY.	NOTES	Season	Market	OLD CODE
1	207110.001472	JOY STICK	1	only for vehicle with old clutch, VIN NO. before 55000772			
2	24904N04F920	TWIST SPRING	1	only for vehicle with old clutch, VIN NO. before 55000772			
3	24908N04F000	HANDSPIKE	1	only for vehicle with old clutch, VIN NO. before 55000772			
4	24400N04F000	HUB, primary drive	1	only for vehicle with old clutch, VIN NO. before 55000772			207110.001472
5	B06010290000	BALL	1	only for vehicle with old clutch, VIN NO. before 55000772			
6	24616N04F000	WASHER, spline	1	only for vehicle with old clutch, VIN NO. before 55000772			24908N04F000
7	24500N04F000	HUB, clutch sleeve	1	only for vehicle with old clutch, VIN NO. before 55000772			24904N04F920
8	24611N04F930	SPRING	4	only for vehicle with old clutch, VIN NO. before 55000772			24505N04F000
9	24708N04F000	PRESSURE PLATE	4	only for vehicle with old clutch, VIN NO. before 55000772			24500N04F000
10	24705N04F000	PLATE FRICTION	5	only for vehicle with old clutch, VIN NO. before 55000772			24611N04F930
11	24503N04F000	HUBSEAT	1	only for vehicle with old clutch, VIN NO. before 55000772			24615N04F930
12	24615N04F930	STOP WASHER (20-GB11253-89)	1	only for vehicle with old clutch, VIN NO. before 55000772			24400N04F000
13	24505N04F000	WASHER (RN7443 GB7039-86)	1	only for vehicle with old clutch, VIN NO. before 55000772			
14	24607N04F930	NUT M16X1.6	1	only for vehicle with old clutch, VIN NO. before 55000772			B06010290000
15	24651N04F930	HANDSPIKE, Seat	1	only for vehicle with old clutch, VIN NO. before 55000772			
16	24914N04F930	HANDSPIKE	1	only for vehicle with old clutch, VIN NO. before 55000772			
17	24507N04F000	BOLT (M6x20)	4	only for vehicle with old clutch, VIN NO. before 55000772			24607N04F930
18	B07030000600	FLAT WASHER 6	1	only for vehicle with old clutch, VIN NO. before 55000772			
19	B04040000052	NUT 6	1	only for vehicle with old clutch, VIN NO. before 55000772			
20	24652J03F000	SCREW	1	only for vehicle with old clutch, VIN NO. before 55000772			
21	24000N04F000	CLUTCH ASSY	1	only for vehicle with old clutch, VIN NO. before 55000772			



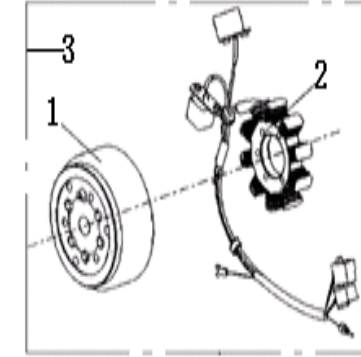
**E02.2 CLUTCH ASSY**

NO.	CODE	DESCRIPTION	QTY.	NOTES	Season	Market	OLD CODE
1	24400N04F000	HUB, primary drive	1	for vehicle with new clutch, Start VIN NO. 55000772			207110.001472
2	24500N04F000	HUB, clutch sleeve	1	for vehicle with new clutch, Start VIN NO. 55000772			24904N04F920
3	24616N04F000	WASHER, spline	1	for vehicle with new clutch, Start VIN NO. 55000772			24908N04F000
4	24615N04F930	STOP WASHER (20-GB11253-89)	1	for vehicle with new clutch, Start VIN NO. 55000772			24400N04F000
5	24607N04F930	NUT M16X1.6	1	for vehicle with new clutch, Start VIN NO. 55000772			B06010290000
6	200325040000	PLATE FRICTION	2	for vehicle with new clutch, Start VIN NO. 55000772			24616N04F000
6	200325040000	PLATE FRICTION	4				24616N04F000
7	24708N04F000	PRESSURE PLATE	4	for vehicle with new clutch, Start VIN NO. 55000772			24500N04F000
8	24705N04F000	PLATE FRICTION	3	for vehicle with new clutch, Start VIN NO. 55000772			24611N04F930
8	200115040000	PLATE FRICTION	1				24705N04F000
9	200225040000	RACK	1	for vehicle with new clutch, Start VIN NO. 55000772			24708N04F000
10	200123070000	NEEDLE BEARING	1	for vehicle with new clutch, Start VIN NO. 55000772			24705N04F000
10	200123090010	NEEDLE BEARING,NTN	1				200123070000
11	B1203M152800	WASHER	1	for vehicle with new clutch, Start VIN NO. 55000772			24503N04F000
12	24503N04F000	HUBSEAT	1	for vehicle with new clutch, Start VIN NO. 55000772			24615N04F930
13	24611N04F930	SPRING	4	for vehicle with new clutch, Start VIN NO. 55000772			24505N04F000
14	24507N04F000	BOLT (M6x20)	4	for vehicle with new clutch, Start VIN NO. 55000772			24607N04F930
15	200215040000	PULL ROD	1	for vehicle with new clutch, Start VIN NO. 55000772			24651N04F930
16	120033070000	WASHER	1	for vehicle with new clutch, Start VIN NO. 55000772			24914N04F930
17	200023090000	SEAL	1	for vehicle with new clutch, Start VIN NO. 55000772			24507N04F000
17	200023090010	SEAL,NOK	1				200023090000
18	209073090000	DISENGAGING LEVEL	1	for vehicle with new clutch, Start VIN NO. 55000772			B07030000600
19	209005040011	CLUTCH ASSY	1	for vehicle with new clutch, Start VIN NO. 55000772			
20	200215040000	GEAR, CLUTCH	1	for vehicle with new clutch, Start VIN NO. 55000772			24651N04F930



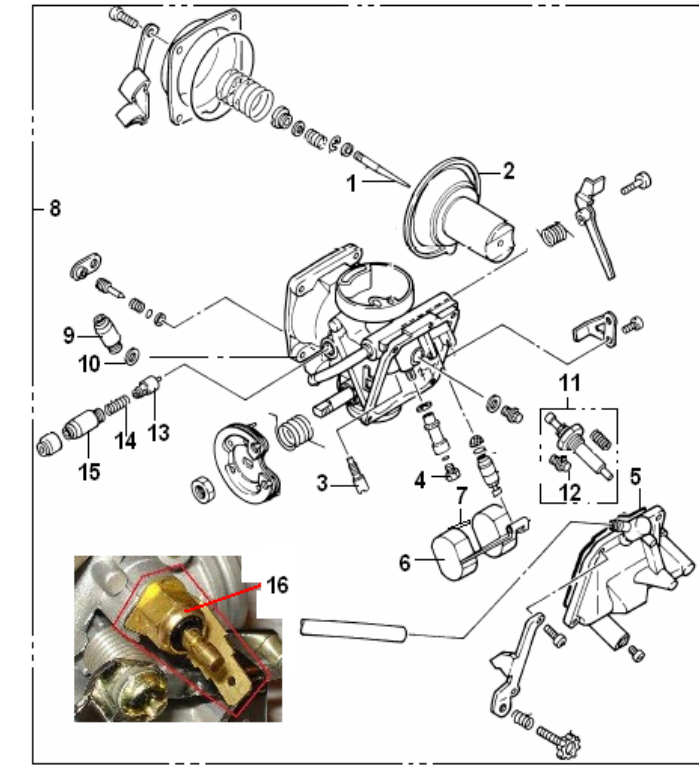
E03 MAGNETO ASSY

NO.	CODE	DESCRIPTION	QTY.	NOTES	Season	Market	OLD CODE
1	34301N04F000	FLY WHEEL ASSY	1				
2	299035040000	COIL ASSY STATOR(with waterproof socket)	1				34310N04F000
3	223100.008000	MAGNETO ASSY COMP.(with waterproof socket)	1				34300N04F000



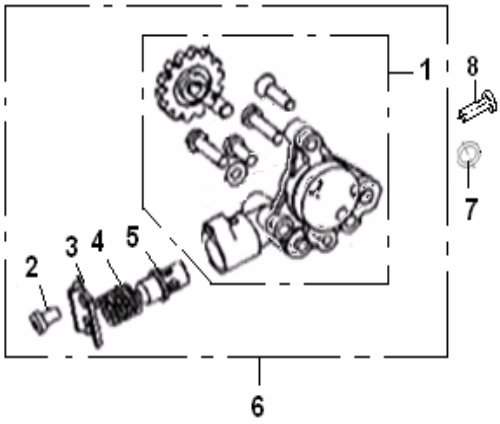
**E04 CARBURETOR ASSY (XD26JA)**

NO.	CODE	DESCRIPTION	QTY.	NOTES	Season	Market	OLD CODE
1	32508N04F000	NEEDLE JET	2				
2	32506N04F000	PISTON Valve	2				
3	32618N04F000	Idle Jet (50#)	2				
4	224202.054000	Main Jet (102.5#)	1	except vehicle with double carburator			32617N04F000
5	32701N04F000	GASKET,float chamber	1				
6	32622N04F000	FLOAT	1				
7	32621N04F000	FLOAT PIN	1				
8	224100.118000	CARBURATOR ASSY	1	except vehicle with double carburator			224000.017000
9	224260.002000	ELEMENT PREHEATING	1				
10	32801B09F000	WASHER	1				
11	224131.001000	ACCELERATOR ASSY.	1				
12	32719N04F000	SEAL CABLE,ACCELERATOR PUMP	1				
13	3370917M0000	VALVE	1				
14	3371817M0000	SPRING	1				
15	3371517M0000	NUT	1				
16	3374817M0000	HEATER	1				



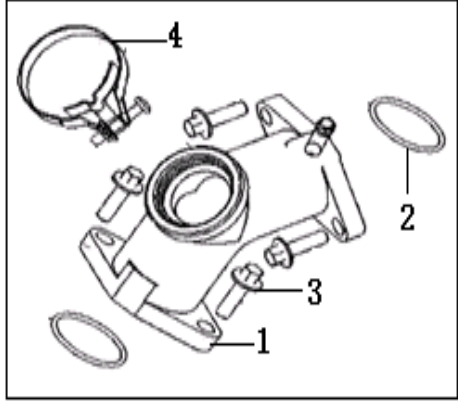
E05 OIL PUMP ASSY

NO.	CODE	DESCRIPTION	QTY.	NOTES	Season	Market	OLD CODE
1	219100.040000	ASSY.OIL PUMP	1				
2	B02040601063	SCREW (M6X10)	1				
3	19301N04F910	PLATE	1				
4	19302N04F930	SPRING	1				
5	19303N04F000	VALVE,decompress	1				
6	19000N04F000	OIL PUMP ASSY	1				
7	260055040000	O SEAL RING	1				
8	B02010602523	SCREW 6X25	1				



**E06 CARBURETOR INTAKE PIPE ASSY.**

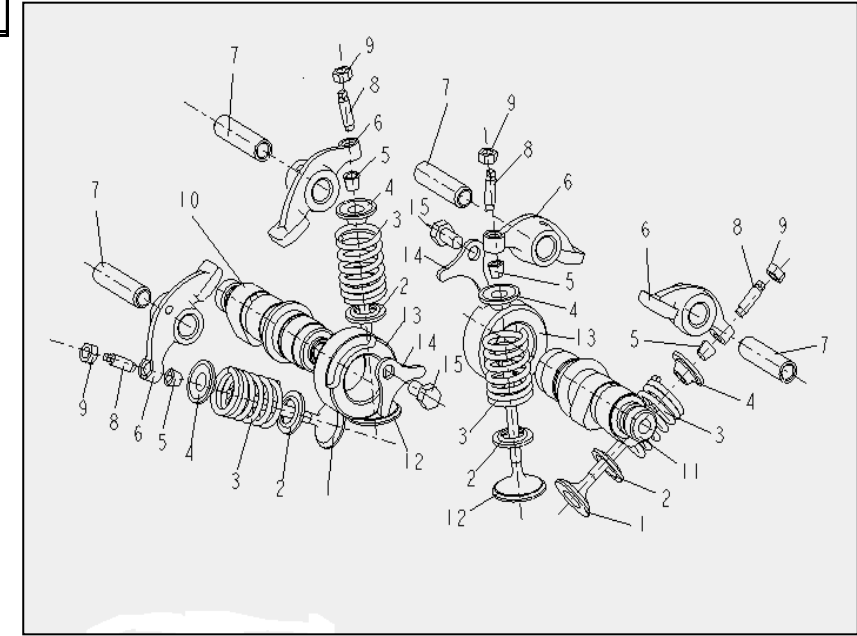
NO.	CODE	DESCRIPTION	QTY.	NOTES	Season	Market	OLD CODE
1	32200N04F00B	PIPE ASSY,intake (with secondary air intake system)	1	For EPA (North America) market		EPA	32200N04F000
2	32209N04F000	O RING	2				
3	B01070602064	SCREW M6X20	4				
4	202104.005472	CLAMP ASSY	1				



**E07 INTAKE & EXHAUST MECHANISM**

NO.	CODE	DESCRIPTION	QTY.	NOTES	Season	Market	OLD CODE
1	30201N04F000	VALVE,exhaust	2				
2	30106N04F000	GASKET, valve spring	4				
3	30101N04F930	SPRING, valve	4				
4	30105N04F000	RETAINER, valve spring	4				
5	30108N04F000	COTTER, valve	8				
6	30123N04F000	ARM, valve rocker	4				
7	30121N04F000	SHAFT, valve rocker	4				
8	30303H03F000	SCREW, adjusting	4				
9	30302H03F930	NUT, adjusting	4				
10	30401N04F000	CAMSHAFT( I )	1				
11	30424N04F000	CAMSHAFT( II )	1				
12	30103N04F000	VALVE, intake	2				
13	30423N04F000	SEAT, camshaft	2				
14	30417N04F000	PLATE, camshaft	2				
15	B02040601262	SCREW M6X12	2				

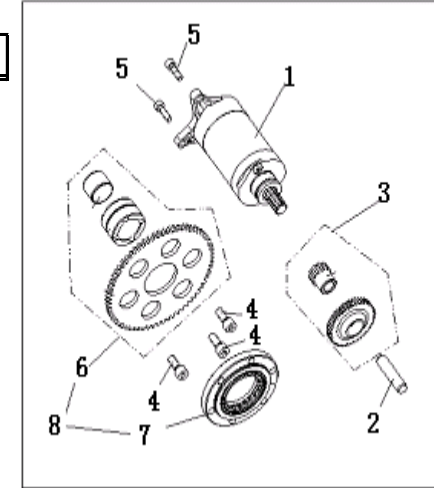
30302H03F000  
30303H03F000





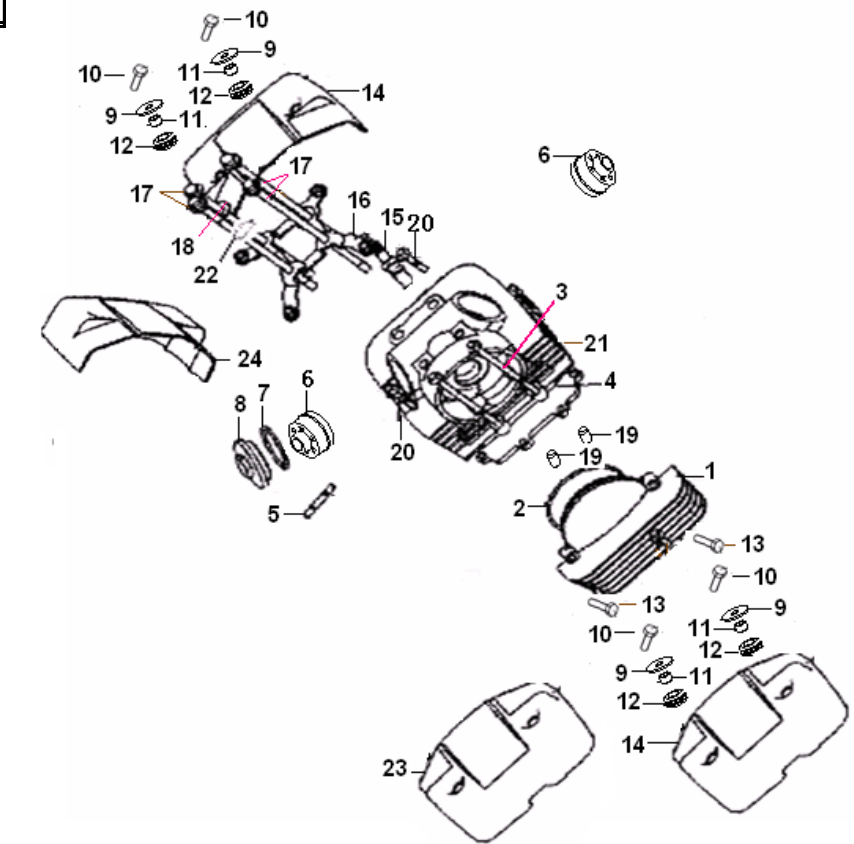
**E08 STARTING CLUTCH ASSY**

NO.	CODE	DESCRIPTION	QTY.	NOTES	Season	Market	OLD CODE
1	218100.015082	Starting motor assy.(painted white)	1		2006-2008		218100.015081
2	34146N04F000	Shaft,starting idle gear	1				
3	34140N04F000	Starting idle gear comp.	1				
4	B02040801862	SCREW M8X18	3				
5	B02040602562	SCREW M6X25	2				
6	34150N04F000	Starting gearwheel comp.	1				
7	34400N04F000	Starting clutch	1				
8	217100.018082	Starting clutch assy. (painted white)	1	For NON-EEC & EEC2 market		NON-EEC & EE	217100.018081



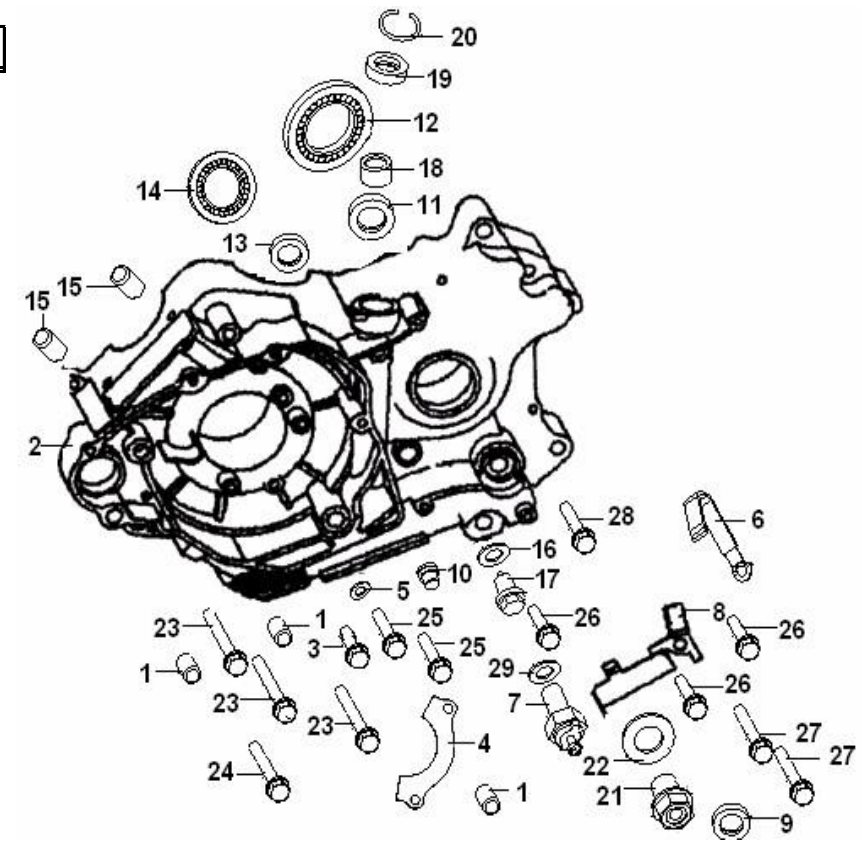
E09 FRONT CYLINDER HEAD ASSY

NO.	CODE	DESCRIPTION	QTY.	NOTES	Season	Market	OLD CODE
1	201301.004000	RIGHT COVER, cylinder head	1	For EPA (North America) market		EPA	
2	30505N04F000	O RING (82.5x3)	1				
3	B01070611064	SCREW (M6X110)	2				
4	201111.002000	GASKET, head cover	1	For EPA (North America) market		EPA	
5	201216.001472	STUD BOLT (6x43)	2				
6	30240N04F000	SEAL COMP, valve	2				
7	30116N04F000	O RING (45X3)	2				
8	201326.003081	OBSERVE COVER	2	For EPA (North America) market		EPA	
9	30112N04F940	WASHER	4				
10	B01070602064	SCREW (M6X20)	4				
11	30534N04F910	CONDUIT	4				
12	30111N04F000	GASKET, seal	4				
13	B01070602564	SCREW (M6X25)	2				
14	201300.018081	HEAD COVER COMP	2	For EPA (North America) market		EPA	
15	299075040001	SPARK PLUG	1				201204.014000
16	30320N04F910	FIXTURE	1				
17	201313.006472	MOUNT	4				
18	30515N04F000	FLAT WASHER 20X8.5X2 (T3M2 GB 2040-2002)	1				
19	26208J01F000	PIN,POWER	2				
20	B01070604064	SCREW (M6X40)	2				
21	201100.107000	CLINDER HEAD COMP	1	For EPA (North America) market		EPA	
22	26117J01F000	O RING (6.8X1.9)	3				



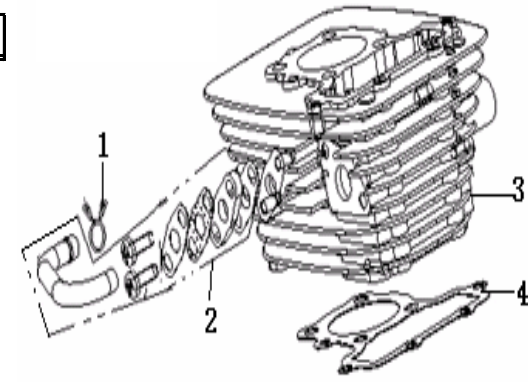
E10 LEFT CRANKCASE ASSY

NO.	CODE	DESCRIPTION	QTY.	NOTES	Season	Market	OLD CODE
1	26123G02F000	PIN DOWEL 12X20	2				26123N04F000
2	26110N04F000	LEFT CRANKCASE COMP white	1				
3	B01030601263	BOLT M6X12	2				
4	26113N04F000	CHAINPLATE	2				
5	307991002230	WASHER I	2				
7	34800N04F000	SENCOR,neutral switch	1				
8	26603N04F940	CLAMP II	1				
9	26133N04F000	OIL SEAL I	1				26133N04F000
9	150025040010	OIL SEAL I , NOK	1				
10	200335040000	STOPPER	1	only for vehicle with new clutch, Start VIN NO. 55000772			307991002430
11	26130N04F000	OIL SEAL II	1				
11	150065040010	OIL SEAL II ,NOK	1				26130N04F000
12	B12016630550	BEARING D305	1				
13	26129N04F000	OIL SEAL III	1				
13	150075040010	OIL SEAL III,NOK	1				26129N04F000
14	B12016610350	BEARING D103	1				
15	26123G02F000	PIN,dowel	4				26123N04F000
16	307991002430	WASHER III	1	only for vehicle with old clutch, VIN NO. before 55000772			
17	26138N04F940	SCREW,dowel	1	only for vehicle with old clutch, VIN NO. before 55000772			
18	26137N04F000	BEARING	1	only for vehicle with old clutch, VIN NO. before 55000772			
19	26142N04F000	OILSEALIV	1	only for vehicle with old clutch, VIN NO. before 55000772			
20	B08000002800	CLIP	1	only for vehicle with old clutch, VIN NO. before 55000772			
21	26144N04F000	PLUG	1				
22	26145N04F000	WASHER	1				
23	301310608065	SCREW M6X80	4				
24	301310607065	SCREWM 6X70	2				
25	301310604065	SCREWM 6X40	1				
26	301310602565	SCREWM 6X25	4				301310602565
27	301310606365	SCREWM 6X63	2				
28	301310603065	SCREWM 6X30	2				



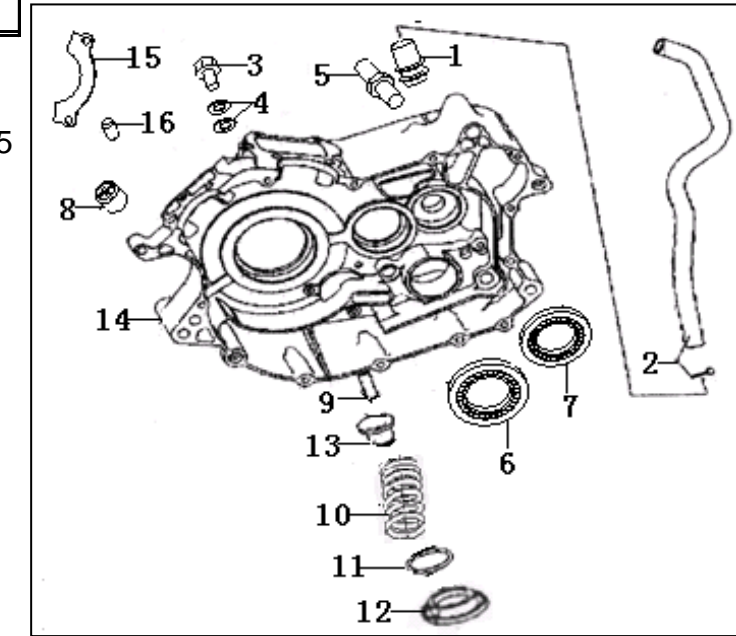
**E11.2 FRONT CYLINDER ASSY (EPA)**

NO.	CODE	DESCRIPTION	QTY.	NOTES	Season	Market	OLD CODE
1	33104J01F000	CLIP 1	1	For EPA (North America) market		EPA	
2	229111.008000	SYPHON ASSY	1	For EPA (North America) market		EPA	
3	204100.038000	CYLINDER ASSY	1	For EPA (North America) market		EPA	
4	204204.015000	GASKET,cylinder	1	For EPA (North America) market		EPA	



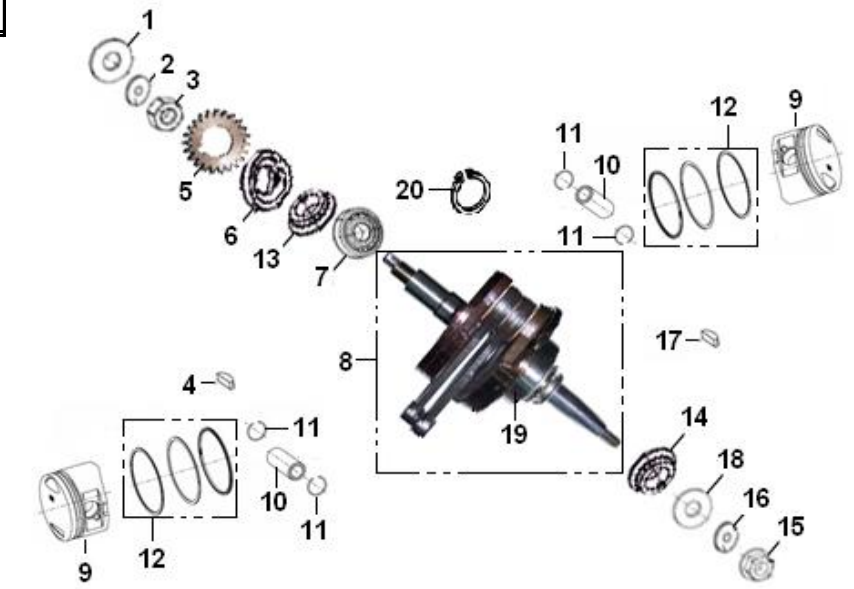
**E12 RIGHT CRANKCASE ASSY**

NO.	CODE	DESCRIPTION	QTY.	NOTES	Season	Market	OLD CODE
1	26401N04F940	PIPE,link	1				
2	26400N04F000	VENTILATE PIPE COMP	1				
3	B0109060146A	BOLT M6x14	1				201207.0025
4	26216N04F940	WASHER II	1				
5	26208N04F930	PIN	1				
6	B12016620550	BEARING D205	1				
7	B12016610450	BEARING D104	1				
8	26228N04F000	PLUG,oil limiting	1				
9	26321N04F000	OIL PIPE,soak oil	1				
10	26305N04F930	SPRING	1				
11	26307N04F000	O RING II	1				
12	206211.004082	DRAIN PLUG	1				
13	26300N03F000	FILTER WEB	1				
14	26210N04F000	RIGHT CRANKCASE COMP white	1				
15	26113N04F000	CHAIN PLATE	1				
16	26207N04F000	BOLT	1				



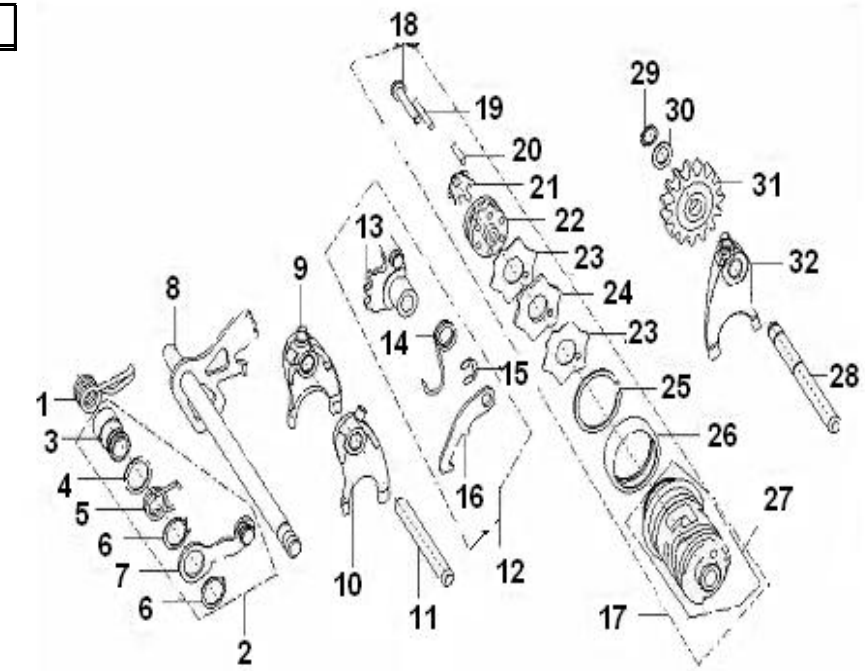
E13 CRANKSHAFT,CONNECTING ROD,PISTON ASSY

NO.	CODE	DESCRIPTION	QTY.	NOTES	Season	Market	OLD CODE
1	15230N04F000	LOCK NUT	1				
2	15233N04F930	WASHER (20-GB710-88)	1				
3	15234N04F000	WASHER (35-GB710-88)	1				
4	15116N04F000	KEY	1				
5	15207N04F000	GEAR	1				
6	15117N04F000	PLATE, CHAIN	1				
7	B12016630653	BEARING D306	1				
8	15200N04F000	CRANKSHAFT COMP	1				
9	208300.030062	PISTON	2				208300030062
10	15105N04FF10	PIN, PISTON	2				
11	15106N04F930	CIRCLIP	4				
12	15120N04F000	RING ASSY.	2				
13	15232N04F000	SPROCKET,C/SHAFT TIMING (I)	1				
14	15238N04F000	SPROCKET,C/SHAFT TIMING (II)	1				
15	15228H03F000	NUT(M12X1.2)	1				
16	15209N04F920	WASHER (31X12.5X4)	1				
17	15101N03F000	KEY	1				
19	B12016630653	BEARING D306	1				
20	15212N04F000	CIRCLIP	3				



E14 GEAR SHIFT MECHANISM

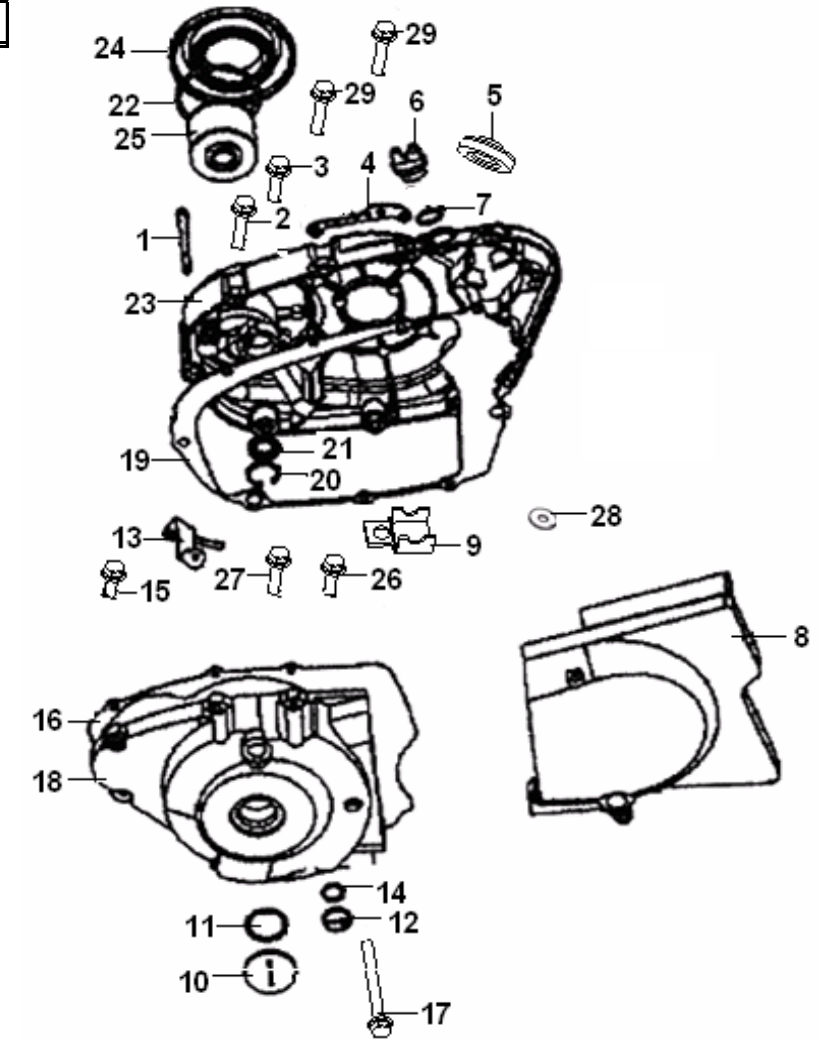
NO.	CODE	DESCRIPTION	QTY.	NOTES	Season	Market	OLD CODE
1	17701N04F000	SPRING	1				
2	17515N04F000	STOPPER ASSY	1				
3	17516N04F000	AXLE SET	1				
4	17517N04F930	WASHER	1				
5	17518N04F930	SPRING	1				
6	B08010001700	CIRCLIP 17	2				
7	17514N04F000	STOPPER	1				
8	17703N04F000	SHAFT	1				
9	17614N04F940	FORK III	1				
10	17616N04F940	FORK I	1				
11	17617N04F000	SHAFT I , shift fork	1				
12	17415N04F000	CLAW ASSY	1				
13	17417N04F000	GEAR II	1				
14	17418N04F930	SPRING	1				
15	17442N04F920	CIRCLIP	1				
16	17713N04F000	CLAW	1				
17	17600N04F000	CAM ASSY	1				
18	B02010503563	BOLT M5x35	1				
19	17601N04F000	PIN P4x29.8	1				
20	17618N04F000	PIN P4x29.8	5				
21	17624N04F000	SPRING WASHER	1				
22	17625N04F000	KICKSTAND	1				
23	17603N04F920	WASHER	2				
24	17602N04F000	PLATE	1				
25	17626N04F930	CIRCLIP	1				
26	17623N04F000	NEEDLE BEARING	1				
27	17604N04F000	CAM, gear shift	1				
28	17621N04F000	SHAFT II , shift fork	1				
29	B08010001000	CIRCLIP 10	3				
30	30300N04F000	WASHER	1				
31	19117N04F000	GEAR	1				
32	17615N04F940	FORK II	1				





E15 CLUTCH COVER ASSY

NO.	CODE	DESCRIPTION	QTY.	NOTES	Season	Market	OLD CODE
1	301310609065	SCREW M6X90	1				
2	301310603565	SCREW M6X35	4				
3	301310602565	SCREW	16	for vehicle with old clutch, VIN NO. before 55000772			301310602565
3	301310602565	SCREW	14	for vehicle with new clutch, Start VIN NO. 55000772			301310602565
4	206303.005472	BRACKET,right crankcase cover	1	only for vehicle with old clutch, VIN NO. before 55000772			206303.005472
4	200195040000	BRACKET,right crankcase cover	1	for vehicle with new clutch, Start VIN NO. 55000772			14233J03F000
5	160083090000	OIL LEVEL INDICATOR ASSY	1				
6	207305.006472	PLUG	1				
7	14208N04F000	O RING 20x2.2	1				
8	207201.026472	COVER,sprocket	1				
9	14231N04F000	PLATE	1				
10	207204.006472	PLUG,cover magneto	1				
11	14116H03F000	O RING 14x2.2	1				
12	207205.001472	PLUG	1				
13	207213.005472	PLATE	1				
14	14115N04F000	O RING 30.8x3.2	1				
15	B01050601064	SCREW M6X10	2				
16	14230N04F000	GASKET,magneto cover	1				
17	B01070607064	SCREW M6X70	1				
18	207200.043472	Cover,magneto	1				
19	14229N04F000	GASKET,sprccket cover	1				
20	B08000002500	CIRCLIP 25	1				
21	14221N04F000	OIL SEAL 14x25.5x5.5	1				
21	160015040010	OIL SEAL,NOK	1				14221N04F000
22	B190106300C0	O RING 63X3.55	1				
23	207300.015472	CLUTCH COVER	1	only for vehicle with old clutch, VIN NO. before 55000772			
23	169105040001	CLUTCH COVER	1	only for vehicle with new clutch, Start VIN NO. 55000772			207300.015472
24	207308.007472	CAP,strainer (Mark "KEEWAY")	1				
25	26308N04F000	STAINER	1				
26	34345J01F000	SCREW	2				
27	B02040603023	SCREW	3				
28	30351J01F000	WASHER 6	1				B07140005001
29	301310602865	SCREW	2	only for vehicle with new clutch, Start VIN NO. 55000772			

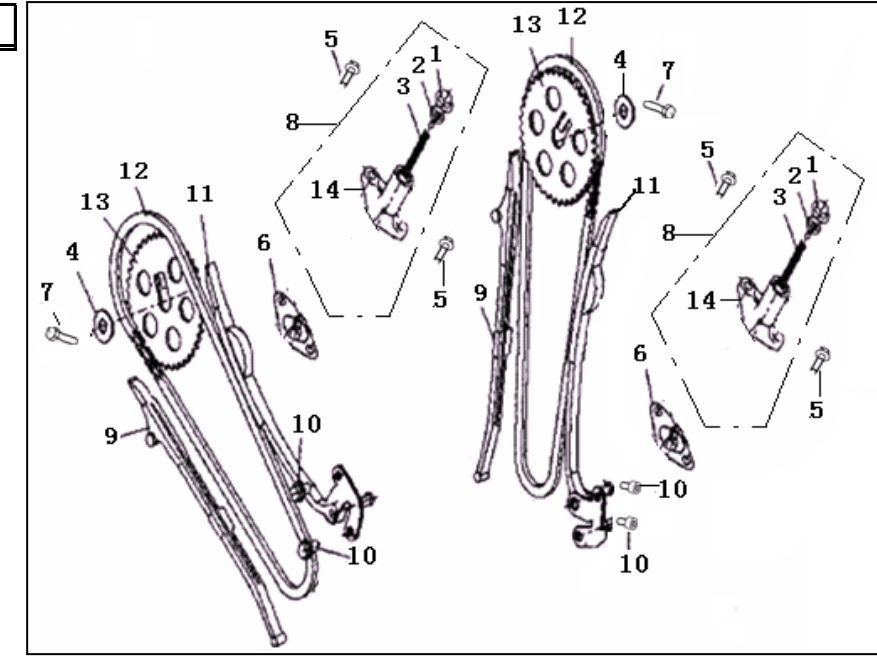




E16 TIMING CHAIN & TENSIONER ASSY

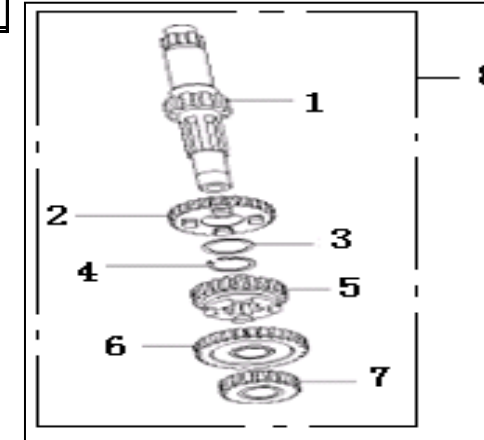
NO.	CODE	DESCRIPTION	QTY.	NOTES	Season	Market	OLD CODE
1	27450B08F000	BOLT	2				
2	27302N03F000	O RING	2				
3	27305N03F000	SPRING ( I )	2				
4	27304N04F000	WASHER 19.5X8.2X2	2				
5	B01070601864	SCREW(M6X18)	4				
6	27304N03F000	GASKET	2				
7	27328N04F930	BOLT (M8X21.5)	2				
8	27300N03F000	TENSIONER COMP.	2	for 2006-2008 season			
9	27440N04F000	GUIDE CHAIN PLATE	2				
10	B01070601063	BOLT(M6X12)	4				
11	27430N04F000	GUIDE CHAIN PLATE	2				
12	27321N04F000	TIMING CHAIN	2				
13	30404N04F000	TIMING CHAIN SPROCKET BIG	2				
14	205117001000	SET TENSIONER ASSY	2	for 2006-2008 season			

B02030601063



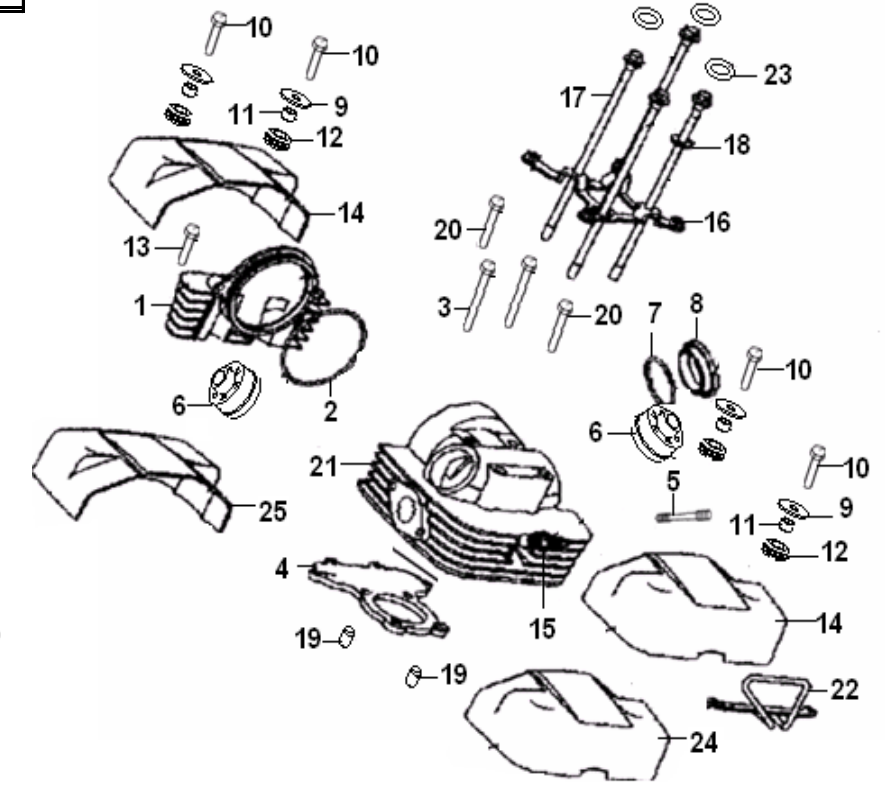
**E17 PRINCIPAL AXLE ASSY**

NO.	CODE	DESCRIPTION	QTY.	NOTES	Season	Market	OLD CODE
1	17201N04F000	SHAFT, DRIVEN	1	only for vehicle with old clutch, VIN NO. before 55000772			
1	219145040000	SHAFT, DRIVEN	1	only for vehicle with new clutch, Start VIN NO. 55000772			17201N04F000
2	17205N04F000	GEAR, 4th drive	1				
3	17223N04F000	WASHER	1				
4	17224N04F930	CIRCLIP	1				
5	17204N04F000	GEAR, 3rd drive	1				
6	17206N04F000	GEAR, 5th drive	1				
7	17202N04F000	GEAR, 2nd drive	1				
8	209101.010000	DRIVEN SHAFT ASSY	1	only for vehicle with old clutch, VIN NO. before 55000772			
8	219135040000	DRIVEN SHAFT ASSY	1	only for vehicle with new clutch, Start VIN NO. 55000772			209101.010000



E18 CYLINDER HEAD ASSY

NO.	CODE	DESCRIPTION	QTY.	NOTES	Season	Market	OLD CODE
1	201301.004081	RIGHT COVER, cylinder head	1	For EPA (North America) market		EPA	
2	30505N04F000	O RING 82.5x3	1				
3	B01070611064	SCREW M6X110	2				
4	201111.002000	GASKET, head cover	1	For EPA (North America) market		EPA	
5	201216.001472	STUD BOLT 6x43	2				
6	30240N04F000	SEAL COMP, valve	2				
7	30116N04F000	O SEAL RING	2				
8	201326.003081	OBSERVE COVER	2	For EPA (North America) market		EPA	
9	30112N04F940	WASHER	4				
10	B01070602064	SCREW M6X20	4				
11	30534N04F910	CONDUIT	4				
12	30111N04F000	GASKET,seal	4				
13	B01070602564	SCREW M6X25	2				
14	201300.018081	HEAD COVER COMP	2	For EPA (North America) market		EPA	
15	299075040001	SPARK PLUG	1				201204.014000
16	30320N04F910	FIXTURE	1				
17	201313.006472	MOUNT	4				
18	30515N04F000	WASHER	1				
19	26208J01F000	PIN, DOWEL	2				
20	B01070604064	SCREW M6X40	2				
21	201100.107081	CLINDER HEAD COMP	1	For EPA (North America) market		EPA	
22	201105.001472	SUSPENDER COMP	1				
23	26117J01F000	O RING 6.8X1.9	3				



E19.2 REAR CYLINDER ASSY(with secondary air intake system,EPA)

NO.	CODE	DESCRIPTION	QTY.	NOTES	Season	Market	OLD CODE
1	229111.007000	SYPHON ASSY	1	For EPA (North America) market		EPA	
2	204100.039000	CYLINDER MACHINING ASSY	1	For EPA (North America) market		EPA	
3	B01070603064	SCREW 6X30	2	For EPA (North America) market		EPA	
4	27102N04F000	GASKET,cylinder	1				
5	33104J01F000	CLIP 1	1	For EPA (North America) market		EPA	
6	B01070601864	SCREW 6X18	2	For EPA (North America) market		EPA	
7	229103.001000	GASKET	1	For EPA (North America) market		EPA	
8	110055040000	BRACKET	1	For EPA (North America) market		EPA	
9	110075040000	BREATHER	1	For EPA (North America) market		EPA	
10	119043070000	REED VALVE	2	For EPA (North America) market		EPA	
11	100055010000	COVER	1	For EPA (North America) market		EPA	
12	B01070601264	SCREW 6X12	2	For EPA (North America) market		EPA	
13	B01070602064	SCREW 6X20	2	For EPA (North America) market		EPA	
14	110045040000	HOSE 9.1*17*100	1	For EPA (North America) market		EPA	
15	110035040000	HOSE 9.1*17*115	1	For EPA (North America) market		EPA	

