

CATALOG CODE: JCK(Q16-00)-250-L-1A.JCK(Q16-12)-250-L-1A.JCK(Q16-16)-250-L-1A.JCK(Q16-32)-250-L-1A.JCK (Q16-55) -QJ250-L (非欧规) -2A,JCK (Q16-27) -QJ250-L (EPA) -1A.

COLORS COVERED: BLACK/CREAM (BH/WH); SILVER/BLACK (CE/BH) ; ORANGE/BLACK (PX/BH)

MARKET APPLICABLE: 欧规 : 非欧规; EPA;

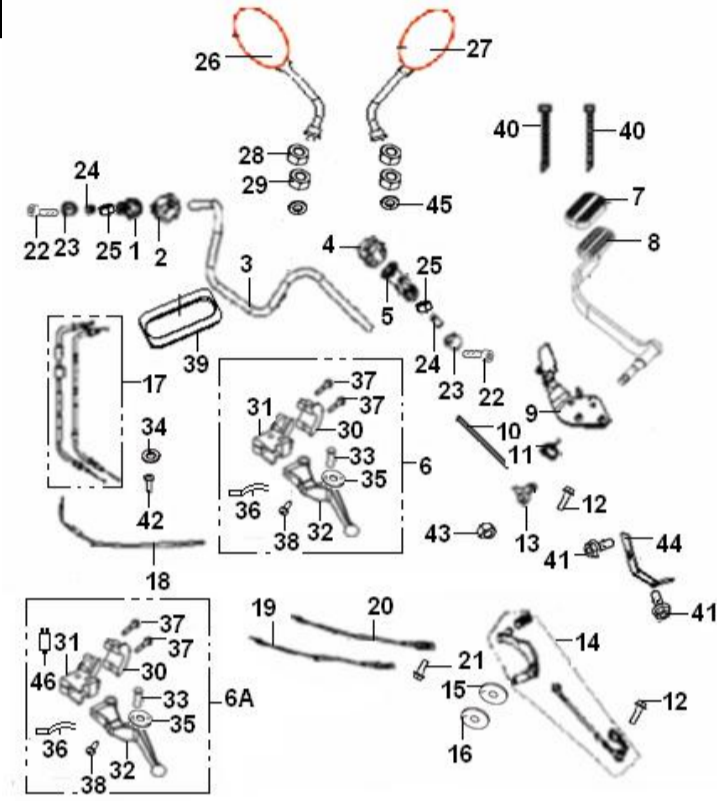
S.P. CATALOG FOR KEWAY CRUISER 250, 2006-2008 VER.

COLORS COVERED: BLACK/CREAM (BH/WH); SILVER/BLACK (CE/BH) ; ORANGE/BLACK (PX/BH)

MARKET APPLICABLE: NON-EEC; EEC2, EPA

F01 STEERING CONTROL

NO.	CODE	DESCRIPTION	QTY	NOTES	Season	OLD CODE
1	40210K2GP000	GRIP ASSY., THROTTLE	1			
2	40600N0JP002	SWITCH ASSY.,R.(matching Auto-timing flasher)	1	for EPA & Q17-25 Chile market, VIN before 55000772 (vehicle with old relay)		
3	40101N0LP000	HANDLEBAR	1	VIN before 639385 (before2010.3.26)		
4	40500N050002	SWITCH ASSY.,LH.	1	for EPA & Q17-25 Chile market, VIN before 55000772 (vehicle with old relay)		
5	40070K2GP000	GRIP ASSY., HANDLE, L.	1			
6A	40080K2GP001	LEVER, L.(with Clutch switch)	1	only for EPA (North America) & Chile (Q16-89) market		40080K2GP000
7	40701N0JP000	RUBBER GROMMET BRAKE LEVER	1			
8	40710N0JP000	PEDAL ASSY., BRAKE	1			
9	40720N0LP000	ASSY., BRACKET	1			
10	40270N0LP000	REAR BRAKE LEVER ASSY	1			
11	40702N0HP000	SPRING, BRAKE RETURN	1			
12	B01020602064	BOLT 6x20MM	2			
13	40730N0LP000	BRACKET ASSY,BRAKE PEDAL	1			
14	08370N0JP000	LEVER ASSY., GEAR SHIFT	1			
15	08029J00P000	WASHER 12MM	1			
16	B08010001201	CIR-CLIP 12	1			
17	40300N0JP000	CABLE ASSY.I, THROTTLE	1			
18	40350N0HP000	CHOKE CABLE	1			
19	72900N0JP000	CABLE ASSY,SPEEDOMETER	1			
20	40400N0JP000	CABLE ASSY . CLUTCH	1	VIN NO. before 55000772		
21	B01090801664	BOLT 8X16MM	1			B0109080164
22	B02050605564	SCREW 6X55MM	2	VIN before 639385 (before2010.3.26)		
23	40031K2GP000	BALANCER	2			
24	40033K2GP000	PLUG, RUBBER	2			
25	B04070600054	NUT 6MM	2			B04310600052
26	40470K2GP000	MIRROR ASSY., RR. VIEW, R.	1			
27	40460K2GP000	MIRROR ASSY., RR. VIEW, L.	1			
28	B04000800054	NUT 8mm	2			B04000800064
29	B04220800044	NUT 8mm	2			B04220800064
30	40081K2GP000	COVER,LEVER BRKT,UPPER	1			
31	40082K2GP000	COVER,LEVER BRKT,LOWER	1			
32	40002N050000	LEVEL,L	1	for Q16-27 & Q17-25 market	2009	40084K2GP000
33	40083K2GP000	BLOT	1			
34	B07030000405	WASHER 4MM	1			
35	B08010001000	CIR-CLIP 10MM	1			
36	40089K2GP000	SPRING	1			
37	40086K2GP000	SCREW	2			
38	40087K2GP000	BOLT	1			
40	96002N0HP000	BAND 200	2			
41	B01090801654	BOLT 8X16MM	2			
42	B02000401225	SCREW 4X12MM	1			
43	B04070600054	NUT 6MM	1			B04310600052
44	40724N0LP000	BRACKET PLATE	1			
45	B0703000080L	WASHER 8	2			
46	91800J0FP000	SWITCH,CLUTCH	1			

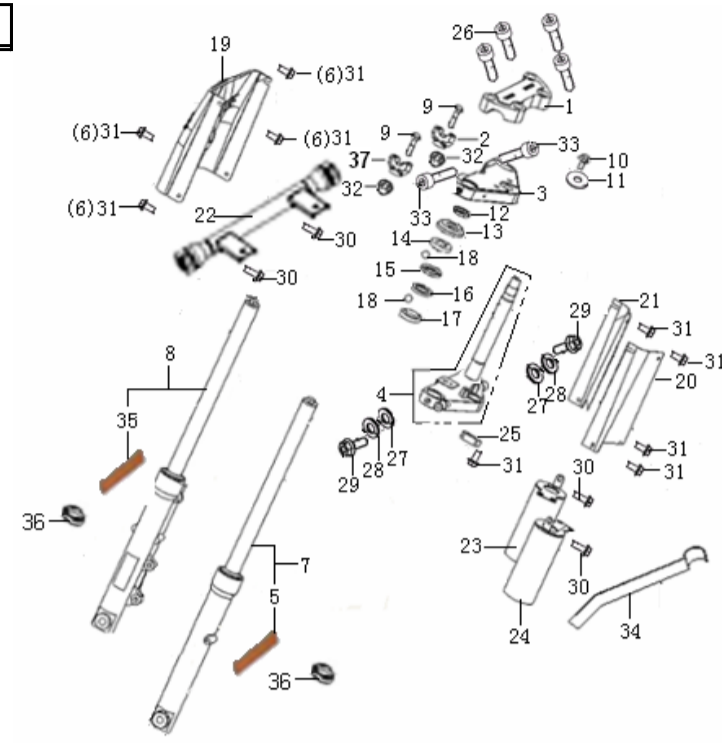


F02 FRONT FORK

NO.	CODE	DESCRIPTION	QTY	NOTES	Season	OLD CODE
1	43014K2GP001	BARK.,HANDLEBAR,UPPER	1			
2	43013K2GP000	BARK.,HANDLEBAR,LOWER RIGHT	2			
3	43011N0JP000	UPPER BRACKET	1			
4	43100N0JP000	LOWER BRACKET ASSY	1			
5	86402N0JP001	FRONT REFLECTOR ,RH	1			
6	08001N0JP000	SCREW 6X16MM	4			
7	43300N0JP000	ABSORBER ASSY.,FR.,R. (EPA)	1	for EPA (North America) market		
8	43200N0JP000	ABSORBER ASSY.,FR.,L. (EPA)	1	for EPA (North America) market		
9	08011K3AP000	BOLT	2			
10	43049J000002	BOLT,STEM FIXING	1			
11	43044K3AP000	WASHER,UPPER	1			
12	43017G0KP000	NUT	1			
13	43005K3AP000	DUST COVER	1			
14	43001K2FP000	RACE, UPPER STEERING, UPPER	1			
15	43002G0KP000	RACE, UPPER STEERING, LOWER	1			
16	43003G0KP000	RACE, LOWER STEERING, UPPER	1			
17	43004K2FP000	RACE, LOWER STEERING, LOWER	1			
18	B06010200000	STEEL BALL SR6.35 (1 set 38 pieces)	38	order as per piece		
19	43012N0JP000	DECORATION BOARD	1			
20	43053N0JP000	FR.,L COVER ,ABSORBER ASSY.	1			
21	43054N0JP000	FR.,R COVER ,ABSORBER ASSY.	1			
22	08510N0LP000	BRACKET WELDASSY.,TURN LAMP	1			
23	43470N0JP000	DECORATION BOARD ASSY	1			
24	43440N0JP000	DECORATION BOARD ASSY	1			
25	43035N0JP000	HOLDER,HOSE ASSY, FR. BRAKE	1			
26	B0205080256L	SCREW 8x25MM	4			
27	B07000000804	WASHER 8MM	2			
28	B07030000804	WASHER 8MM	2			
29	B01020804064	BOLT 8X40MM	2			
30	B01090601264	BOLT 6X12MM	4			
31	B01090601054	BOLT 6X10MM	9			
32	B04171000054	NUT 10MM	2			
33	B02050803564	SCREW 8x35MM	2			
34	43021N0JP000	HOLDER,FR BRAKE	1			
35	86302N0JP001	FRONT REFLECTOR ,LH (DOT)	1			
36	43260N070000	OIL SEAL	2			
37	43024K230000	BARK.,HANDLEBAR,LOWER LEFT	1			

43049J00P000

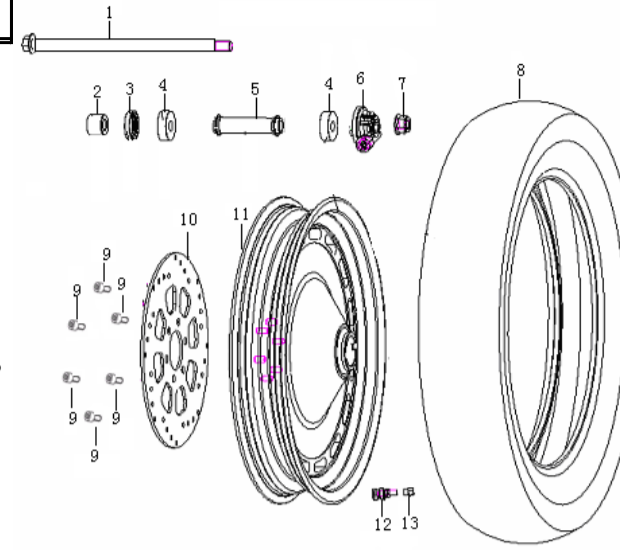
B02050802564



F03 FRONT WHEEL

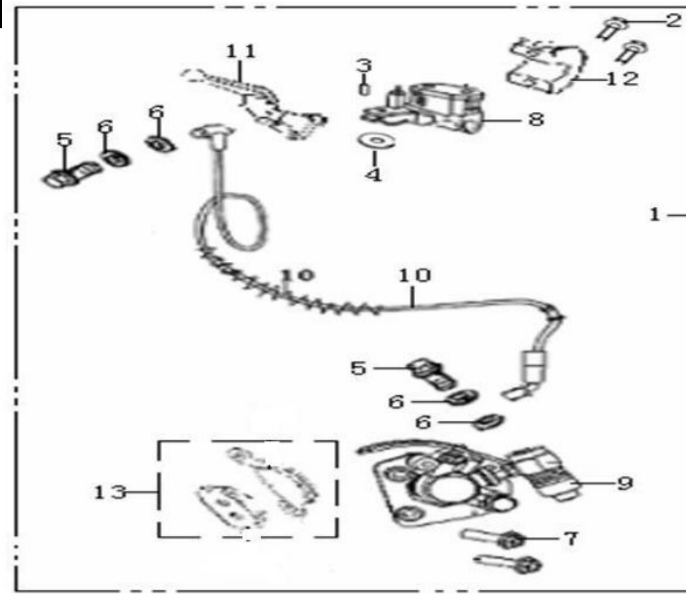
NO.	CODE	DESCRIPTION	QTY	NOTES	Season	OLD CODE
1	44004NOJP000	AXLE, FRONT WHEEL	1			
2	44005NOJP000	SPACER, FRONT WHEEL, L.	1			
3	44300NOJP000	DUST SEAL	1			
4	B12016030200	BEARING 60302-2RS	2			
5	44600NOJP000	SPACER, MID, FR. WHEEL	1			
6	44200NOJP001	GEAR BOX ASSY., SPEEDOMETER	1			
7	B04171415064	BOLT 14X1.5MM	1			
8	B140506F1621	TIRE 110/90-16	1			
9	45036NOJP000	BOLT, FIXING	6			
10	45033NOJP000	BRAKE DISK	1			
11	44101NOJPCE1	RIM, FRONT WHEEL(SILVER)	1			
12	B1404Z201130	CAP, VALVE	1			
13	B1403Z1102A0	NIPPLE, VALVE	1			

B140106F16BB



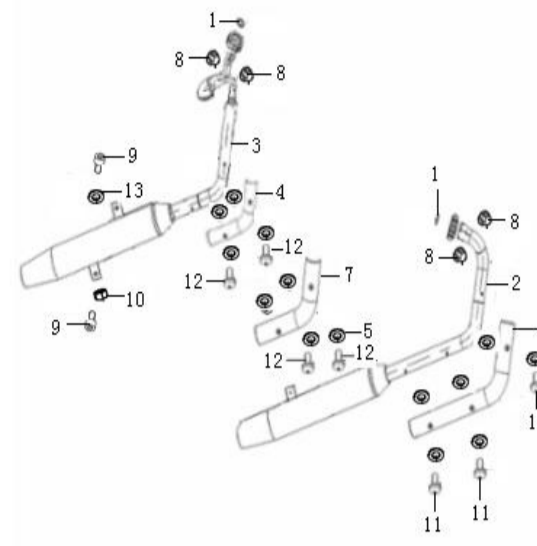
F04 DISK BRAKE

NO.	CODE	DESCRIPTION	QTY	NOTES	Season	OLD CODE
1	45000N0JP000	DISK BRAKE ASSY.	1			
2	B01070602465	BOLT 6X24MM	2			
3	40083K2GP000	BOLT	1			
4	B08010001000	CIR-CLIP 10MM	1			
5	45037K2FP000	BOLT,	2			
6	45029K2FP000	WASHER	4			
7	45039N0JP000	BOLT 10X1.25X43MM	2			
8	45400K2GP000	MASTER CYLINDER ASSY.	1			
9	45500N0JP000	CALIPER ASSY.	1			
10	45200N0JP000	HOSE ASSY, FR. BRAKE	1			
11	45022K2GP000	LEVER, DISK BRAKE	1			
12	45023K2GP000	COVER	1			
13	45110N0JP001	DISC BRAKE PAD ASSY(front, 2pcs/set)	1 set	order as per set		



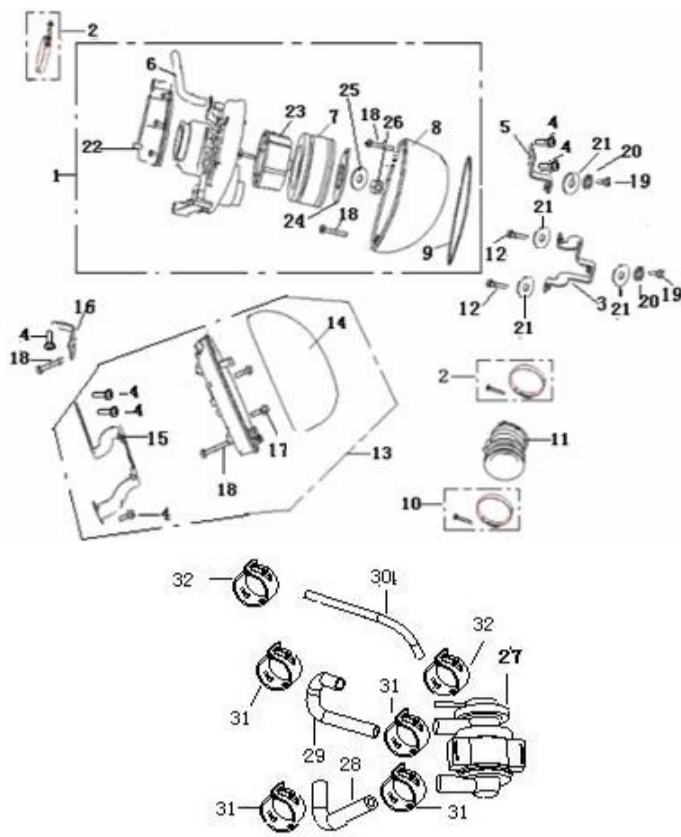
F05 MUFFLER

NO.	CODE	DESCRIPTION	QTY	NOTES	Season	OLD CODE
1	47800N0HP000	GASKET, EXHAUST PIPE	2			
2	47100N07000B	MUFFLER JOINTING ASSY.A (FRONT CYLINDER)	1	for EEC2 & EPA MARKET& Q16-89 Chile		47100N0LP000
3	48100N07000B	MUFFLER JOINTING ASSY.B (BACK CYLINDER)	1	for EEC2 & EPA MARKET& Q16-89 Chile		48100N0LP000
4	47772N0LP000	DECORATE BOARD 3	1			
5	47016N0JP000	WASHER	14			
6	47761N0LP000	DECORATE BOARD 1	1			
7	47771N0LP000	DECORATE BOARD 2	1			
8	47006J0AP000	NUT 6MM	4			
9	B02551001664	SCREW 10x16MM	2			
10	B04181012554	NUT 10MM	1			
11	B1306060100L					B13060601004
12	B13060601204	SCREW 6x12MM	4			B13060601224
13	B07030001004	WASHER 10MM	1			



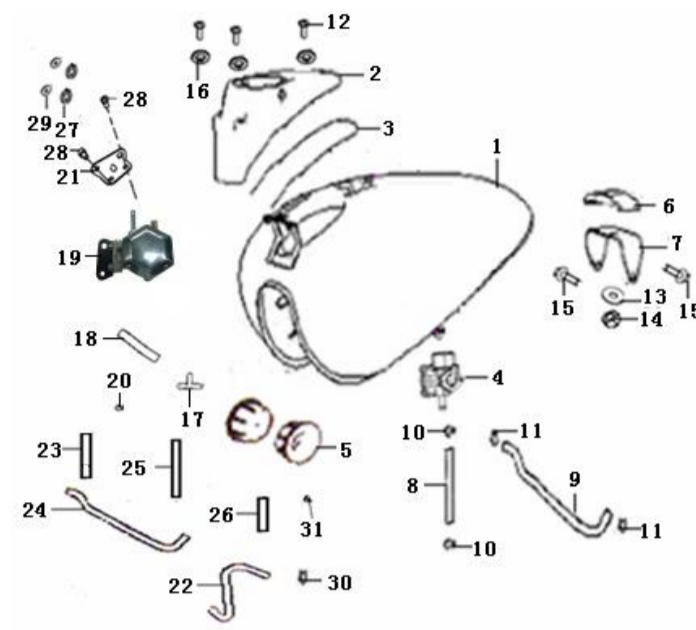
F06 AIR CLEANER

NO.	CODE	DESCRIPTION	QTY	NOTES	Season	OLD CODE
1	49000N0JP001	AIR CLEANER ASSY.COMP	1	VIN number before LBBN07014AB617506		
1	49100N070000	AIR CLEANER ASSY.COMP	1	Start VIN number: LBBN07014AB617506		49000N0JP001
2	49350N0HP000	CLAMP ASSY	2			
3	49360N0JP000	BRACKET, AIR CLEANER	1	except vehicle with double carburator		
4	B01070601064	BOLT 6X10MM	6			
5	49340N0JP000	BRACKET,AIR CLEANER	1			
6	B16010823101	HOSE,BREATHER	1			
7	49208N0HP000	FILTER ELEMENT	1			
8	49001N0HP000	COVER,AIR CLEANER	1			
9	49013N0HP000	SEAL RING ,AIR CLEANER	1			
10	49370N0HP000	CLIP	1			
11	49014N0HP000	CONNECTING HOSE	1			
12	B02000602004	BOLT 6x20MM	2			
13	49700N0JP00A	COVER DECORATION ASSY	1			
14	49701N0HP000	COVER DECORATION	1			
15	49710N0JP00A	BRACKET COVER DECORATION	1			
16	49702N0JP000	BRACKET,DECORATION	1			
17	B01070602265	BOLT 6x22MM	2			
18	B02000604024	SCREW 6x40MM	4			
19	B02000603024	SCREW 6x30MM	2	VIN number before LBBN07014AB617506		
19	B0109060406L	BOLT 6X40MM	2	Start VIN number: LBBN07014AB617506		B02000603024
20	B07000000604	WASHER 6MM	2			
21	B07030000604	WASHER 6MM	4			
22	49002N0HP000	INTAKE	1			
23	49207N0HP000	HOLDER , FILTER ELEMENT	1			
24	49025N0HP000	SUPPORT PLATE, FITER ELEMENT	1			
25	B07020000602	WASHER 6MM	1			
26	B04000500052	NUT 5MM	1			
27	49800N0JP000	RETAINER VALVE (EPA)	1	only for EPA (North America) market		
28	49801N0JP000	HOSE I φ13×φ19.5 (EPA)	1	only for EPA (North America) market		
29	49802N0JP000	HOSE φ13×φ19.5 (EPA)	1	only for EPA (North America) market		
30	49803N0JP000	HOSE II 200MM (EPA)	1	only for EPA (North America) market		
31	49805N0JP000	SPRING II ,LOCK φ18.5	4	only for EPA (North America) market		
32	49806N0JP000	SPRING I ,LOCK φ7	2	only for EPA (North America) market		



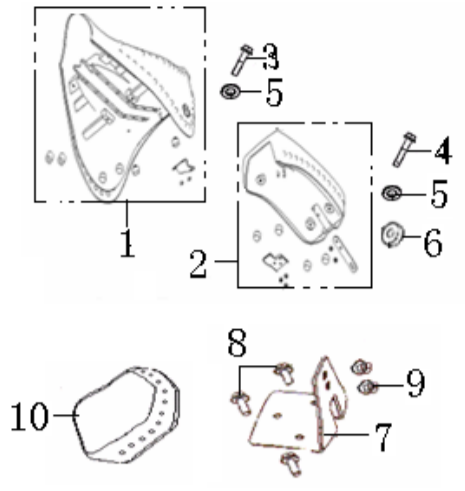
F07 FUEL TANK

NO.	CODE	DESCRIPTION	QTY	NOTES	Season	OLD CODE
1	50100N07007Z	FUEL TANK JOINTING ASSY.(BLACK BH/WHITE WH;	1	For Black (BH/WH) vehicle in U.S.A., Canda, and Chile market only	2006-2008	50100N0LPBH0
1	50100N07008Z	FUEL TANK JOINTING ASSY.(SILVER CE/BLACK BH;	1	For Silver (CE/BH) vehicle in U.S.A., Canda, and Chile market only	2006-2008	50100N0LPCE0
1	50100N07009Z	FUEL TANK JOINTING ASSY.(ORANGE PX/BLACK	1	For Orange (PX/BH) vehicle in U.S.A., Canda, and Chile market only	2006-2008	50100N0LPTX0
2	50116N0JP000	CAP, FUEL TANK DECORATION	1			
3	50117N0JP000	CUSHION	1			
4	50310N0LP000	fuel cock	1			
5	50005N0HP000	CUSHION, FUEL TANK, FR.	2			
6	50006N0JP000	CUSHION, FUEL TANK, RR.	1			
7	50025N0JP00A	BRACKET,FUEL TANK FIXING	1			
8	B16010401803	HOSE 4X8X180	1			
9	B160165A1801	HOSE 6.5X11X180	1			
10	B17010080003	CLIP	2			
11	B17010100003	CLIP	2			
12	08013N050000	BOLT	3			08011N0JP000
13	B07020000601	WASHER 6MM	1			
14	B040706000055	NUT 6MM	1			B040706000065
15	B01090601254	BOLT 6X12MM	2			
16	B0703000050L	WASHER 5MM	3			B07030000604
17	50008N0HP000	3-DIRECTIONS PIPE	1			
18	50017N0HP000	SLEEVE, HOSE	2			
19	50720N0HP000	fuel pump assy	1			
20	50306N0HP000	CLIP	8			
21	50022N0HP000	BRACKET, SHUTOFF	1			50022N0LP000
22	B16010722001	HOSE φ6×φ11×200	1			
23	B16010421701	HOSE φ4×φ8×170	1			
24	B16010722351	HOSE φ6×φ11×235	1			
25	B16010721501	HOSE φ6×φ11×150	1			
26	B16010720501	HOSE φ6×φ11×50	1			
27	B07000000604	SPRING WASHER 6MM	2			
28	B0200060162L	SCREW 6X16MM	2			B02000601624
29	B07030000604	WASHER 6MM	2			
30	50307N0HP000	CLIP φ8.5	1			
31	49806J00P000	CLIP 7	1			



F08 SEAT

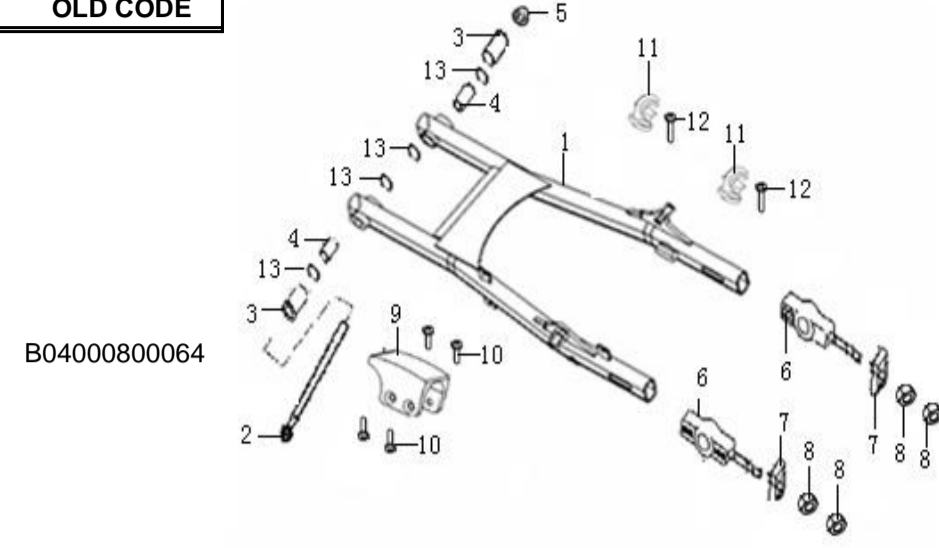
NO.	CODE	DESCRIPTION	QTY	NOTES	Season	OLD CODE
1	51100N0LP000	SEAT I	1			51100N0LP001
2	51200N0LP000	SEAT II (Logo "KEEWAY")	1	FOR ALL except Q16-55 Venezuela market		51200N0LP001
3	B01090801264	BOLT 8X12MM	1			
4	B01090801664	BOLT 8X16MM	1			B0109080164
5	B0703000080C	WASHER 8MM	2			
6	51013N0LP000	RUBBER CUSHION	1			
7	51303N0KP000	MTG. BRACKET, BACK REST	1			
8	B01091002064	BOLT M10x20MM	3			
9	B04220800054	NUT M8MM	2			
10	51310N0KP000	BACK REST PILLION III	1			





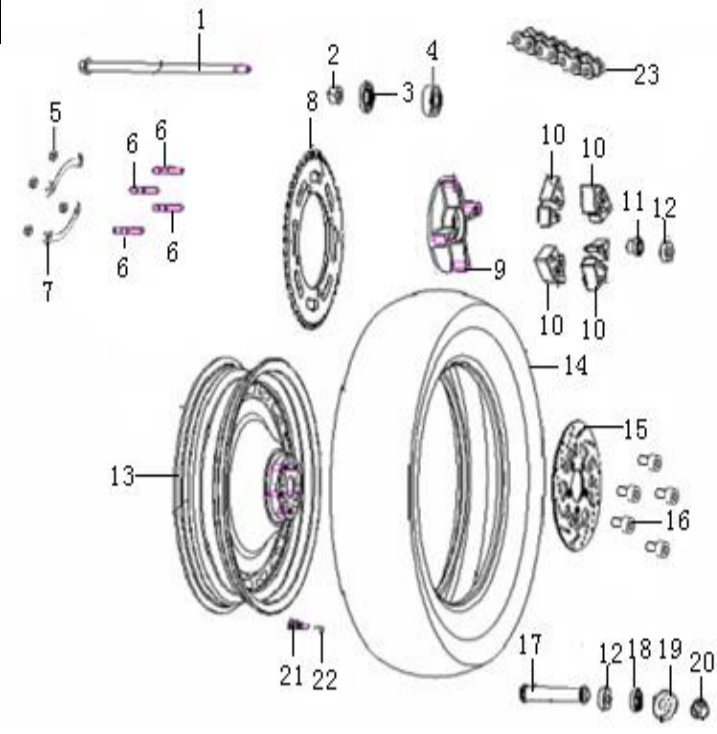
F09 REAR SWINGING ARM

NO.	CODE	DESCRIPTION	QTY	NOTES	Season	OLD CODE
1	53100N0LP001	REAR SWINGING ARM COMP.	1			
2	53001N0JP000	SHAFT, PIVOT	1			
3	53007N0LP000	SPACER, SWINGING ARM	2			
4	B1210K490100	BEARING	2			
5	B04171212564	NUT 12X1.25MM	1			
6	53230N0LP000	ADJUSTER COMP., CHAIN	2			
7	53234N0LP000	FIXING PLATE, ADJUSTER	2			
8	B04000800054	NUT 8MM	2			
9	53004N0LP000	BUFFER, CHAIN TOUCH DEFENSE	1			
10	B02010501025	SCREW 5X10MM	4			
11	53009N0JP000	CLIP	2			
12	B02010601024	SCREW 6X10MM	2			
13	53210N0LP000	OIL SEAL	4			



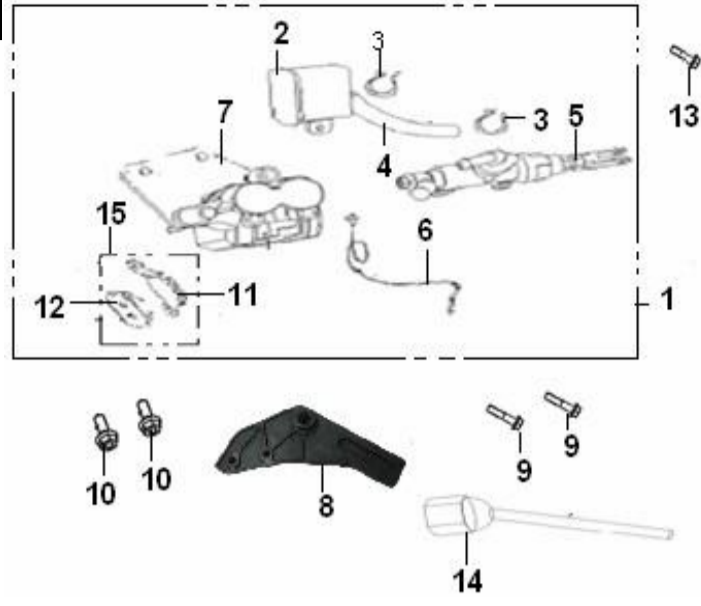
F10.1 REAR WHEEL FOR CHAIN DRIVING

NO.	CODE	DESCRIPTION	QTY	NOTES	Season	OLD CODE
1	44004N0JP000	AXLE, FRONT WHEEL	1			
2	60007N0LP000	SPACER, RR. WHEEL, L.	1			
3	60200N0JP000	OIL SEAL	1			
4	B12016030400	BEARING 60304-2RS	1			
5	B04001012564	NUT 10X1.25MM	4			
6	60015N0JP000	BOLT, SPROCKET	4			
7	60004N0LP000	LOCK WASHER	2			
8	60002N0JP000	SPROKET, CHAIN	1			
9	60001N0JP000	HUB, SPROCKET	1			
10	54024N0JP000	CUSHION, RR, WHEEL	4			
11	60006N0JP000	SPACER, SPROCKET	1			
12	B12016030200	BEARING 60302-2RS	2			
13	54101N0JPCE1	RIM, RR. WHEEL(SILVER)	1			
14	B140507F1621	TIRE 120/90-16(ZHENGXIN E MAK E4-75R-0002444)	1			B140107F16BB
15	55033N0JP000	BREAK DISC. RR diameter 220mm	1	for VIN number before LBBN07014AB617506		
15	55033N050002	BREAK DISC. RR diameter 240mm	1	for VIN number since LBBN07014AB617506		55033N0JP000
16	45036N0JP000	BOLT, FIXING	5			
17	54550N0JP000	MID SPACER, RR. WHEEL	1			
18	54300N0JP000	OIL SEAL	1			
19	54005N0JP000	SPACER, RR. WHEEL, R.	1			
20	B04171415064	NUT M16X1.5	1			
21	B1403Z201130	NIPPLE, VALVE	1			
22	B1404Z201130	CAP, VALVE	1			
23	B1501C1118B0	DRIVE CHAIN 10MA-1X118	1			



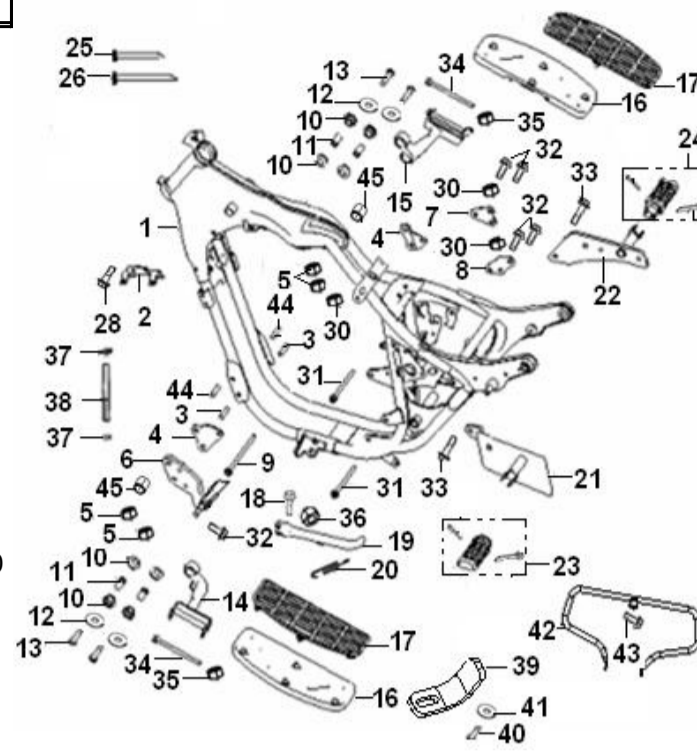
F11 BACK DISK BRAKE

NO.	CODE	DESCRIPTION	QTY	NOTES	Season	OLD CODE
1	55000N0LP001	REAR DISK BRAKE ASSY	1	for VIN number before LBBN07014AB617506		
1	55900N070000	REAR DISK BRAKE ASSY	1	for VIN number since LBBN07014AB617506		55000N0LP001
2	55140N0JP000	OIL CUP	1			
3	55131N0JP000	SPRING I, LOCK	2			
4	55220N0JP000	HOSE, FR. BRAKE(DOT)	1			
5	55400N0JP000	MASTER CYLINDER	1			
6	55210N0JP000	HOSE, FR. BRAKE(DOT)	1			
7	55500N0JP000	CALIPER ASSY.	1	for VIN number before LBBN07014AB617506		
7	55500N050000	CALIPER ASSY.	1	start VIN number: LBBN07014AB617506		55500N0JP000
8	55300N0LP000	BRACKET	1			
9	B01090602564	BOLT 6X25MM	2			
10	B01090801664	BOLT 8X16MM	2			B0109080164
11	B01090601264	BOLT 6X12MM	1			
12	91080N0LP000	SWITCH REAR BRAKE	1			
13	55110N0JP001	DISC BRAKE PAD ASSY(rear,2pcs/set)	1 set	order as per set		



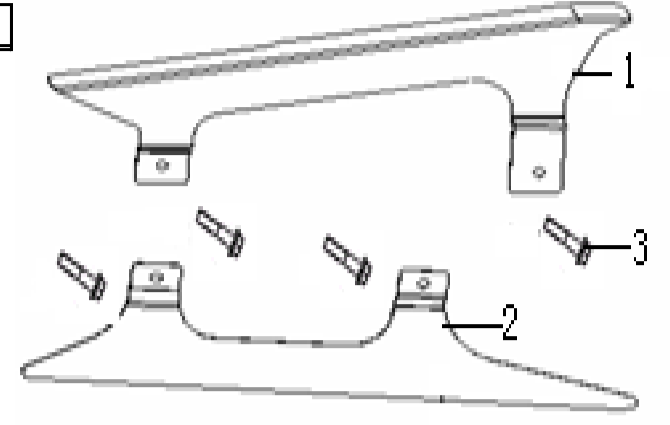
F12 FRAME

NO.	CODE	DESCRIPTION	QTY	NOTES	Season	OLD CODE
1	57100N070002	FRAME BODY ASSY.	1	only for EPA market		57100N0LP000
2	58770N0HP000	BRACKET, IGNITION COIL	1			
3	57037N0HP000	STUD,FR.FOOT REST FIXING	2	for vehicle with leg guard, used with NO.44 together		
4	57011N0HP000	BRACKET, ENGINE, FR.	2			
5	B04221012564	NUT 10X1.25MM	4			
6	58220N0JP000	BRACKET, FR. L. FOOTREST	1			
7	57008N0HP000	UPPER BRACKET, ENGINE, R.	1			
8	57009N0HP000	LOWER BRACKET, ENGINE, R.	1			
9	58303N0HP000	SHAFT, ENGINE, FR.	1			
10	58229N0HP000	SLEEVE,RUBBER	8			
11	58228N0HP000	BUSH I	4			
12	B07020001004	WASHER 10MM	4			
13	57024N020010	BOLT, FOOTREST FIXING	4			57024N0HP000
14	58450N0JP00A	SEAT, FOOTREST.L	1			
15	58470N0JP00A	SEAT, FOOTREST.R	1			
16	58230N0JP000	FOOTREST ASSY.	2			
17	58210N0JP000	FOOTREST ASSY.	2			
18	57005N0JP000	BOLT, SIDE STAND MOUNTING	1			
19	58701N0JP00A	SIDE STAND ASSY.	1			
20	57010N0LP000	SPRING, SIDE STAND	1			
21	58270N0JP000	BRACKET, L., RR., FOOTREST	1			
22	58290N0LP001	BRACKET, R., RR., FOOTREST	1			
23	58260N30P000	FOOTREST ASSY., RR., L.	1			
24	58280N30P000	FOOTREST ASSY., RR., R.	1			
25	96002N0HP000	BAND II 200	1			
26	96001N0HP000	BAND I 150	7			
28	B01090601264	BOLT 6x12MM	1			
30	B04070000854	NUT 8MM	3			B04070000864
31	B01090811064	BOLT 8X110MM	2			
32	B01090801664	BOLT 8x16MM	5			B0109080164
33	B01090802064	BOLT 8x20MM	2			
34	B01090811864	BOLT 8X118MM	2			
35	B04070800054	NUT 8MM	2			
36	B04001012564	NUT 10x1.25MM	1			
37	08431N0HP000	CLIP 16mm	2			
38	08402N0LP000	HOSE	1	except vehicle with double carburator		
39	58702N0LP000	BRACKET	1			
40	B02050501564	SCREW 5X15MM	1			
41	B07000000504	WASHER 5MM	1			
42	59100N0JP000	LEG GUARD	1	for vehicle with leg guard		
43	B01090801664	BOLT 8x16MM	1	for vehicle with leg guard		B0109080164
44	57037N0JP000	STUD,FR.FOOT REST FIXING	2	for vehicle with leg guard		
45	58307N0JP000	BUSH 2	2	for vehicle with leg guard		



F13 SPROCKET

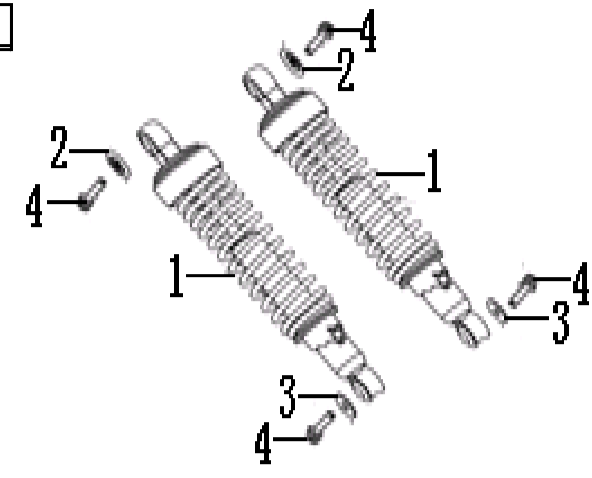
NO.	CODE	DESCRIPTION	QTY	NOTES	Season	OLD CODE
1	60101N0LP001	CASE,BELT ,UPPER	1			
2	60102N0LP000	CASE, BELT ,BELOW	1			
3	B01090601064	BOLT 6X10MM	5			



F14 REAR ABSORBER

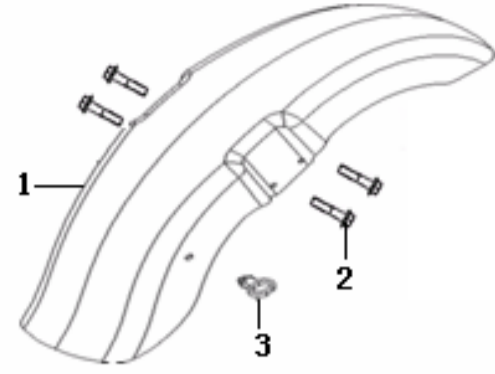
NO.	CODE	DESCRIPTION	QTY	NOTES	Season	OLD CODE
1	63000N0JP000	REAR ABSORBER ASSY.	2			
2	63013G0KP000	WASHER, UPPER, REAR ABSORBER	2			
3	63014G0KP000	WASHER, LOWER, REAR ABSORBER	2			
4	B01090801664	BOLT 8x16MM	4			

B0109080164



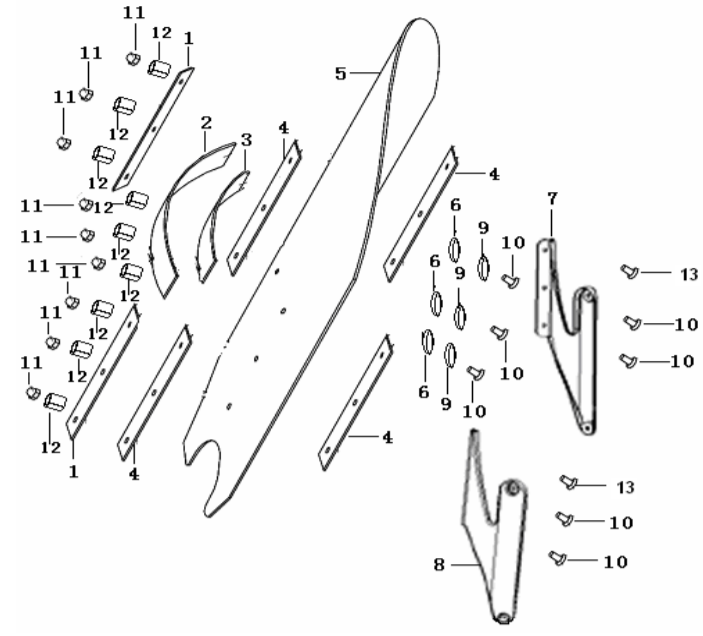
F15 FRONT FENDER

NO.	CODE	DESCRIPTION	QTY	NOTES	Season	OLD CODE
1	65101N0LPBH	FRONT FENDER(BLACK BH/WHITE WH,with silver	1	For Black (BH/WH) vehicle	2006-2008	
1	65101N0LPCE	FRONT FENDER(SILVER CE/BLACK BH,with cream	1	For Silver (CE/BH) vehicle	2006-2008	65101N0LPCE0
1	65101N0LPTX0	FRONT FENDER(ORANGE PX/BLACK BH,with silver	1	For Orange (PX/BH) vehicle	2006-2008	65101N0LPTX0
2	B01090601264	BOLT 6X12MM	4			
3	65105JCCT000	RING	1			



F16 WINDSHIELD

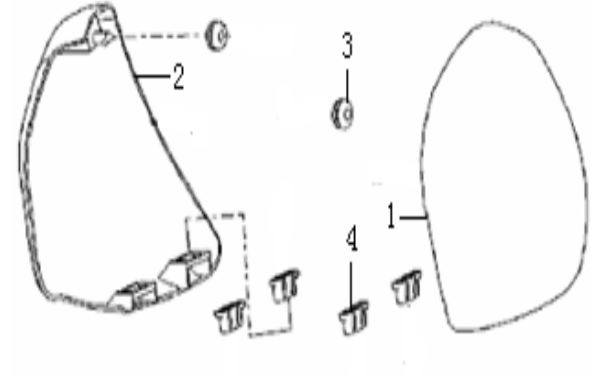
NO.	CODE	DESCRIPTION	QTY	NOTES	Season	OLD CODE
1	65514N0JP000	MOUNTING PLATE WINDSHIELD	2			
2	65515N0JP00A	MOUNTING PLATE UPPER	1			
3	65508N0JP000	CUSHION WASHER I	1			
4	65509N0JP000	CUSHION WASHER II	4			
5	65503N0JP001	WINDSHIELD	1			
6	65109G00P000	CUSHION WASHER	3			
7	65530N0JP000	BRKT,ASSY. L	1			
8	65520N0JP000	BRKT,ASSY. R	1			
9	B07020000604	WASHER 6MM	3			
10	B02000601624	SCREW 6X16MM	7			
11	B04220600024	CAP NUT 6 mm	9			
12	65551N0JP000	BUSH	9			
13	B02000602024	SCREW 6X20MM	2			





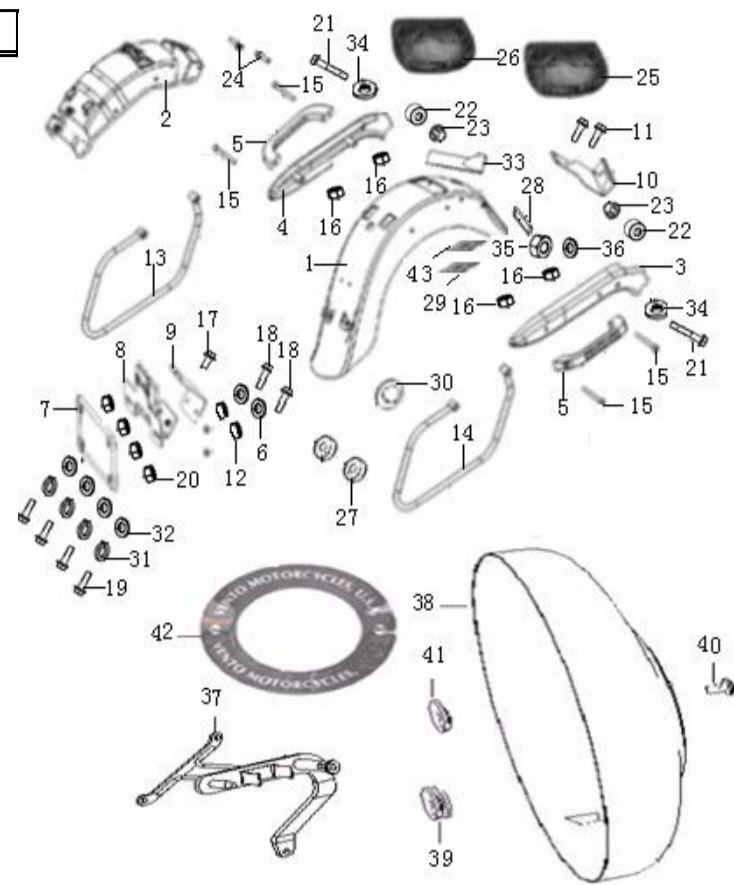
F17 FRAME COVER

NO.	CODE	DESCRIPTION	QTY	NOTES	Season	OLD CODE
1	65601N0HP001	FRAME COVER, L.	1			
2	65602N0HP001	FRAME COVER, R.	1			
3	65616N0HP000	CUSHION, FRAME COVER I	2			
4	65618N0HP000	CUSHION, FRAME COVER II	4			



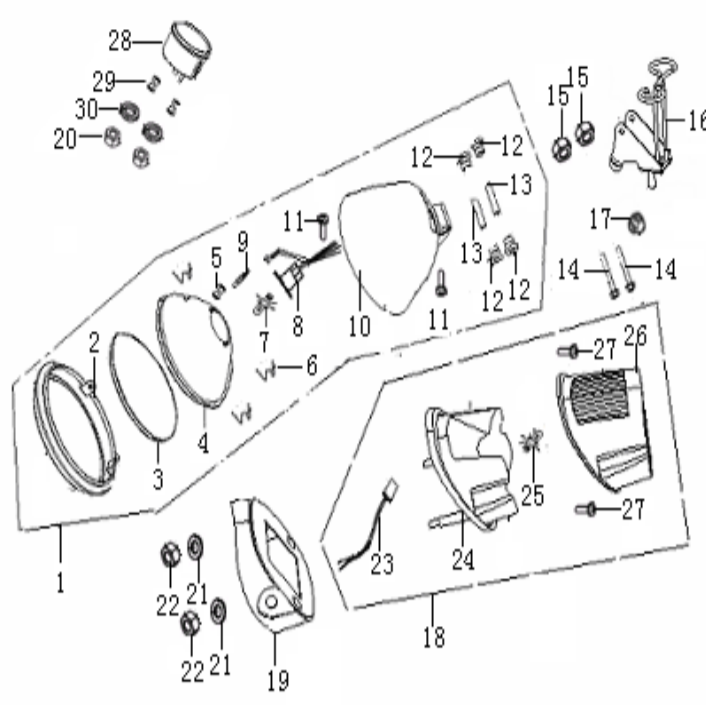
F18 REAR FENDER

NO.	CODE	DESCRIPTION	QTY	NOTES	Season	OLD CODE
1	65701N0LPBH	REAR FENDER (BLACK BH/WHITE WH), with silver	1	For Black (BH/WH) vehicle	2006-2008	65701N0LPBH1
1	65701N0LPCE	REAR FENDER (SILVER CE/BLACK BH),with cream	1	For Silver (CE/BH) vehicle	2006-2008	65701N0LPCE1
1	65701N0LPTX1	REAR FENDER (ORANGE PX/BLACK BH)with silver	1	For Orange (PX/BH) vehicle	2006-2008	65701N0LPTX1
2	65720N0LP001	REINFORCEMENT ASSY	1	for vehicle with backrest		
3	65960N0LP00A	RIGHT ORNAMENT OF REAR FENDER	1			
4	65950N0LP00A	LEFT ORNAMENT OF REAR FENDER	1			
5	65971N0LP000	REAR HAND RAIL	2			
6	54018K00P000	RING	2			
7	08207N0JP000	PLATE ASSY.	1			
8	08210N0LP000	bracket ASSY.	1			
9	08204N0JP000	PLATE	1			
10	65718N0JP000	FIX-IGNITION	1			
11	B01090601664	BOLT 6X16MM	2			
12	52009JJP000	BUSH	2			
13	52300K2GP001	BRACKET ,BAG LH	1			
14	52400K2GP001	BRACKET ,BAG RH	1			
15	B02050808564	SCREW 8X85MM	2	for vehicle with side bags		
16	B04070800064	NUT 8MM	4			
17	B01090601254	BLOT 6X12MM	1			
18	B01090602554	BLOT 6X25MM	2			
19	B01010601655	BLOT 6X16MM	4			
20	B04070000655	NUT 6MM	6			
21	B01091006864	BOLT 10X1.25X68MM	2			
22	51304K0BP000	BUSH	2			
23	B04171012564	NUT 10X1.25MM	2			
24	B01091002064	BOLT 10X20MM	2			
25	52250K230010	BAG..L.	1			52250K2GP000
26	52260K230010	BAG..R.	1			52260K2GP000
27	82015K2GP000	BUSH	2			
28	86500N0JP000	REAR REFLECTOR (DOT)	1	for EPA (North America) market		
29	86300N0JP001	REAR REFLECTOR,L	1	only for EPA (North America) market		
30	65703K2GP000	RUBBER	1			
31	B07000000605	WASHER 6MM	4			
32	B07030000605	WASHER 6MM	4			
33	65723N0JP000	LID	1			
34	B07030001000	WASHER 10MM	2			
35	B04000600053	NUT 6MM	1			
36	B07020000603	WASHER 6MM	1			
37	05310N0JP001	MTG.BRKT.DECORATIVE COVER	1	only for EPA (North America) market		
38	05320N0JP002	DECORATIVE COVER	1	only for EPA (North America) market		
39	65618J00P000	RUBBER CUSHION	1	only for EPA (North America) market		
40	05321N0JP00A	SCREW 6X12MM	1	only for EPA (North America) market		
41	65109G00P000	CUSHION WASHER	1	only for EPA (North America) market		
42	05301N0JP001	DECORATIVE EMBLEM "VENTO"	1	only for EPA (North America) market		
43	86400N050001	REAR REFLECTOR,R	1	only for EPA (North America) market		



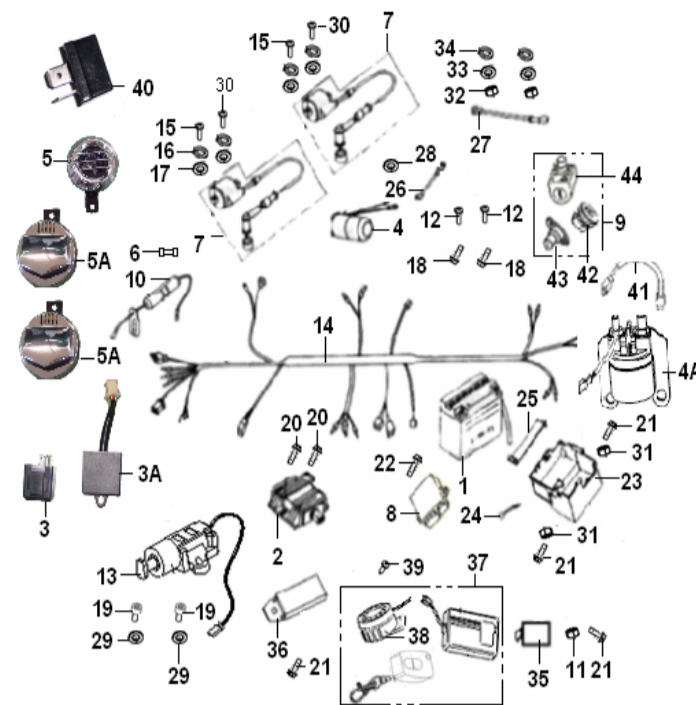
F19 ELECTRIC I

NO.	CODE	DESCRIPTION	QTY	NOTES	Season	OLD CODE
1	8000N0LP001	HEAD LAMP ASSY. (DOT)	1	for EPA (North America) market		
2	80025N0JP000	RIM, HEAD LIGHT	1			
3	80004N0JP001	COVER, HEADLIGHT	1			
4	80006N0JP000	BOWL., HEAD LIGHT	1			
5	80022N0JP000	BULB HOLDER, Fr. POSITION LIGHT	1			
6	80024N0JP000	RING	3			
7	B24010520000	BULB , HEAD LIGHT12V/35W	1			
8	80003N0JP000	BULB HOLDER, HEADLIGHT	1		80002N0JP000	
9	B24012220000	BULB, Fr. POSITION LIGHT 12V/4W (E3 50R 001026)	1		80023N0JP000	
10	80007N0JP000	BASE, HEADLIGHT	1			
11	B02000501624	SCREW 5X16 MM	2			
12	08331N0JP000	RUBBER WASHER	4			
13	08344N0JP000	SPACER	2			
14	B01090605564	BOLT 6X55MM	2			
15	B04070600064	NUT 6MM	2			
16	80030N0JP000	BASE, HEAD LAMP	1			
17	B04171000064	NUT 10MM	1			
18	82000N0LP001	TAIL LAMP ASSY.(DOT)	1	for EPA (North America) market		
19	82003N0JP000	BASE, TAIL LAMP	1			
20	B04020500065	NUT 5MM	2			
21	B07030000604	WASHER 6MM	2			
22	B04000600053	NUT 6MM	2			
23	82900K2GP001	WIRE ASSY., TAIL LIGHT	1			
24	82012K2GP001	FRAME, TAIL LAMP	1			
25	B24013820000	BULB, TAIL LIGHT 12V21W/5W	1			82005K2GP000
26	82008K2GP000	COVER, TAIL LIGHT	1			
27	B02000401024	SCREW 4X10MM	2			
28	70000N0LP001	SPEEDOMETER ASSY. (EPA)	1	for EPA (North America) market		
29	50014N0JP000	BUSH	2			
30	B07020000501	WASHER 5MM	2			



F20 ELECTRIC II

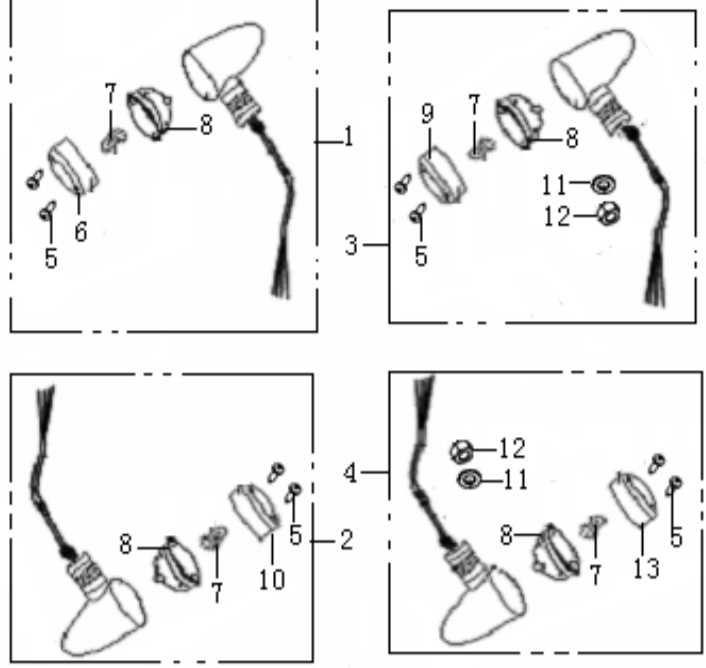
NO.	CODE	DESCRIPTION	QTY	NOTES	Season	OLD CODE
1	96100J00P000	BATTERY 12N9-4B 12V,9AH	1			96100N0HP000
2	98801N04FN04	RECTIFIER	1			
3A	96400N0LP00B	RELAY, TURN SIGNAL	1	for EPA & Q17-25 market, VIN NO.before 55000772 (vehicle with old relay)		96400N0JP001
3	96400N070001	RELAY, TURN SIGNAL	1	Start VIN NO. 55000772 (vehicle with new relay)		96400N070001
4	96700N0LP000	RELAY, KICK STARTER	1	VIN NO. before 55000772 (vehicle with old relay)		
4A	94100BS0T000	RELAY, KICK STARTER	1	Start VIN NO. 55000772 (vehicle with new relay)		96700N0LP000
5A	95100N0JP000	HORN ASSY. (double Horn for U.S.A.)	2	for Q16-27 USA & Q17-25 Chile market		95000N30P000
6	96810N0HP000	FUSE	1			
7	96200N0HP000	COIL ASSY.,IGNITION	2			
8	97701N04FN04	C.D.I	1			
9	88000N0LP00A	LOCK ASSY	1			88000N0LP000
10	96800N0HP000	FUSE COMP.	1			
11	B04070600054	NUT 6 MM	1			B04310600052
12	B02010601023	SCREW 6X10MM	2			
13	91900N0LP000	SWITCH	1			
14	92000N0LP00B	HARNES, WIRING with waterproof	1	for EPA & Q17-25 market, VIN NO.before 55000772 (vehicle with old relay)		92000N0LP000
14	92000N070006	HARNES, WIRING with waterproof	1	for EPA & Q17-25 market, VIN NO. since 55000772 (vehicle with new relay)		92000N0LP001
15	B02000502024	SCREW 5X20MM	2			
16	B07000000504	WASHER 5MM	4			
17	B07030000504	WASHER 5MM	4			
18	B01090601664	BOLT 6X12MM	2			
19	B02050501565	SCREW M5X15	2			
20	B01090601664	BOLT 6X16MM	2			
21	B01090601264	BOLT 6X12MM	4			
22	B01090601664	BOLT 6X20MM	1			
23	65816N0HP000	CASE, BATTERY	1			
24	96002N0LP000	BAND 200MM	5			
25	96004N0HP000	BAND , BATTERY CASE	1			
26	96900N0HP000	WIRE, EARTH	1			
27	92900N0HP000	WIRE, MOTOR	1			
28	B07000000605	WASHER 6MM	2			
29	B07030000505	WASHER 5MM	2			
30	B02000502524	SCREW 5X25MM	2			
31	B04070600064	NUT 6MM	3			
32	B04000600063	NUT 6MM	2			
33	B07000000603	WASHER 6MM	2			
34	B07030000603	WASHER 6MM	2			
35	97291N0HP000	FIXING PLATE, ALARM SYSTEM	1			
36	97900B030000	THERMOSTAT	1			97900N0LP000
37	95700N0HP000	ALARM SYSTEM ASSY	1			
38	97600N0HP000	HORN ALARM SYSTEM	1			
39	B05074001205	SCREW 4X12MM	2			
40	96700K060000	DIODE	1			
41	92200J070000	ELECTRIC CABLE	1	Start VIN NO. 55000772 (vehicle with new relay)		
42	88100N070001	LOCK ASSY.IGNITION	1			
43	88300N070001	LOCK ASSY., STEERING	1			
44	88400N070001	LOCK ASSY.FUEL TANK	1			



F21 Turn Signals

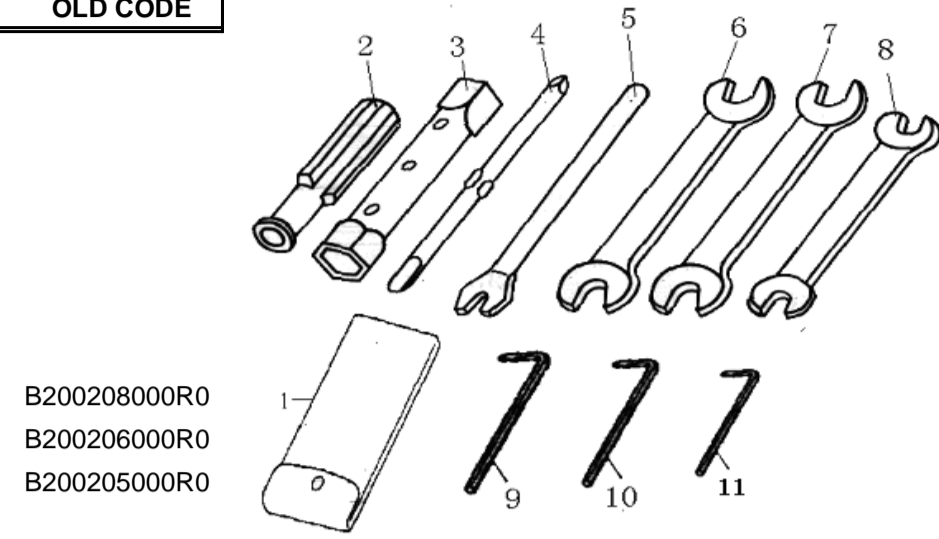
NO.	CODE	DESCRIPTION	QTY	NOTES	Season	OLD CODE
1	81500N0LP001	TURN SIGNAL, RR., L.(DOT)	1	for EPA (North America) market		
2	81100N0LP001	TURN SIGNAL, FR., L.(DOT)	1	for EPA (North America) market		
3	81700N0LP001	TURN SIGNAL, RR.,R.(DOT)	1	for EPA (North America) market		
4	81300N0LP001	TURN SIGNAL, FR., R.(DOT)	1	for EPA (North America) market		
5	B05070404523	SCREW 4X45MM	8			
6	81503N0HP000	COVER, TURN SIGNAL, RR.,L	1			
7	B24012120000	BULB,12V/10W	4			
8	81105N0HP000	BOWL REPER CUSSION TURN SIGNAL	4			
9	81703N0HP000	COVER, TURN SIGNAL, RR.,R	1			
10	81103N0HP000	COVER, TURN SIGNAL, FR., L.	1			
11	B07000001003	WASHER 10MM	2			
12	B04001000063	NUT 10MM	2			
13	81303N0HP000	COVER, TURN SIGNAL, FR., R.	1			

81004N0HP000



F22 TOOL KIT

NO.	CODE	DESCRIPTION	QTY	NOTES	Season	OLD CODE
1	02110G0BP000	TOOL BAG	1			
2	02104G00P000	HANDLE	1			
3	02101N0HP000	SOCKET, SPARK PLUG	1			
4	02103G00P000	SCREW DRIVER, DOUBLE-HEADED	1			
5	02102G00P000	SPANNER, SPARK PLUG	1			
6	B20011401703	WRENCH, DOUBLE-HEADED 14-17	1			
7	B20011301603	WRENCH, DOUBLE-HEADED 13-16	1			
8	B20011001203	WRENCH, DOUBLE-HEADED 10-12	1			
9	B200208000R3	SOCKET WRENCH 8	1			
10	B200206000R3	SOCKET WRENCH 6	1			
11	B200205000R3	SOCKET WRENCH 5	1			



F23 STICKER

NOTES: Please don't order stickers inside the paint

NO.	CODE	DESCRIPTION	QTY	NOTES	Season	OLD CODE
1.04	57001N0LP005	PLATE, LABEL (EPA)	1	Used for EPA (North America) market		
2	B10000300602	RIVET 3X6MM	2			
3	05532N0LP000	EMISSION STICKER(EPA)	1	for EPA (North America) market		

