



ETON America

PARTS CATALOG

Viper 70

Parts and drawing are subject to change without notice. ETON America reserves the right to substitute parts that have engineering changes that can alter the appearance of the part but performs the same function as the original parts. ETON America can not be held liable for errors or typographical errors in this publication.

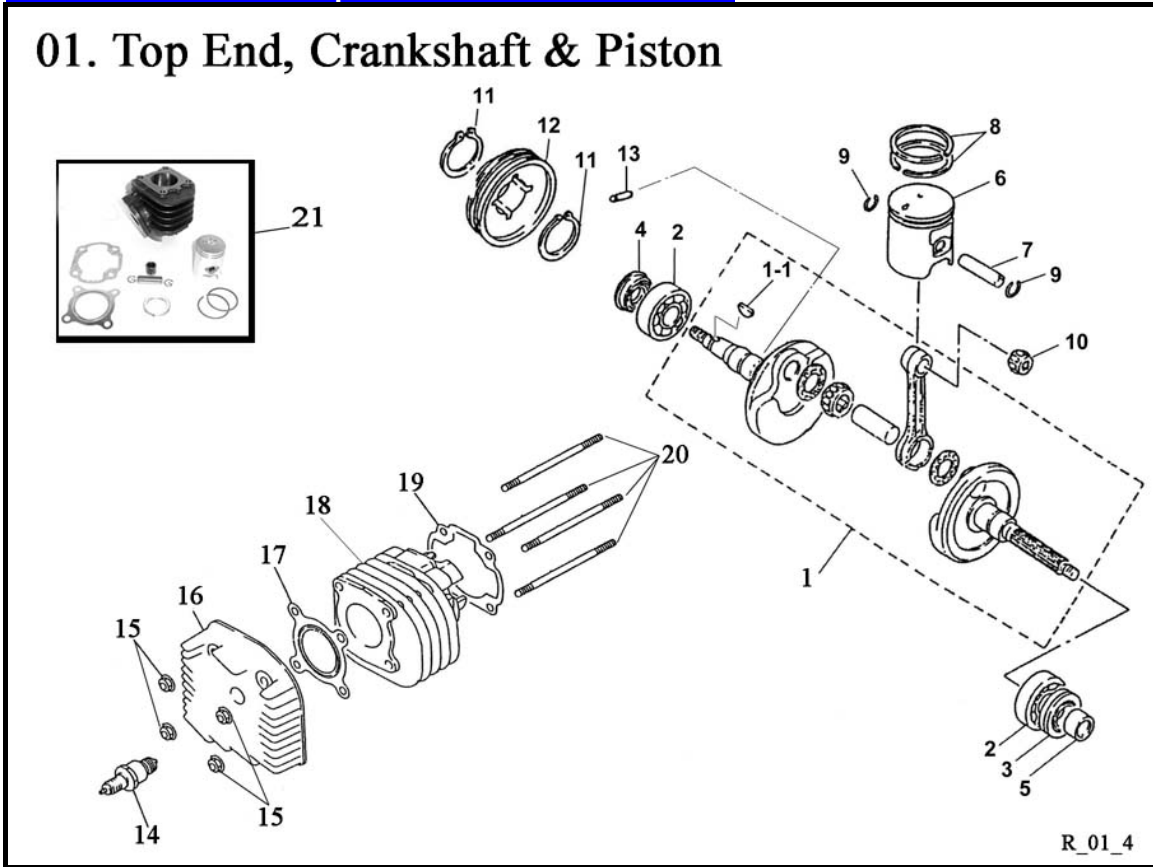
Table of Contents

Viper 70



Figure No.	Content Reference
01	Top End Crankshaft and Piston
02	Cooling Fan and Engine Shroud
03	Air Filter
04	Carburetor
05	Crankcase Case Cover and Oil Pump
06	Transmission
07	Kick Starter and Starter Clutch
08	CVT Driven Pulley
09	Engine
10	AC Generator and Starter Motor
11	Exhaust Muffler Type SA
12	Frame
13	Front Bumper A Arms and Footrest Bar
14	Body Covers and Seat
15	Fuel Tank and Oil Tank
16	Front Rear Suspension
17	Front Rear Wheels and Tires
18	Front Brakes
19	Rear Disc Brake
20	Handlebar and Levers
21	Rear Drive Axle and Drive Chain
22	Swing Arm and Skid Plates
23	Steering Shaft Connecting Rods and Knuckles
24	Electrical System
25	Accessories
30	Viper Maintenance Parts Kit

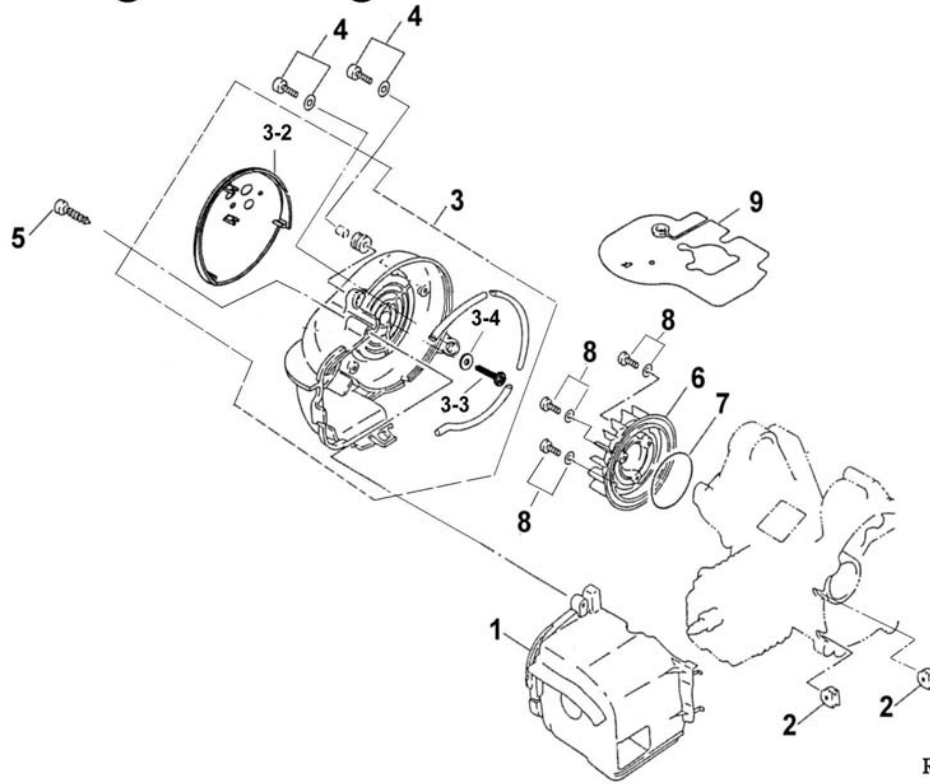
01. Top End, Crankshaft & Piston



R_01_4

Fig Ref	Item No.	Description	Qty Req
1-1	811105	Crankshaft 70cc	1
1-1-1	650110	Woodruff Key	1
1-2	650111	Radial Ball Bearing	2
1-3	650112	Oil Seal LH	1
1-4	650113	Oil Seal RH	1
1-5	650476	Collar	1
1-6	811109	Piston 70cc	1
1-7	811111	Piston Wrist Pin 70cc	1
1-8	811112	Piston Ring (Set of 2) 70cc	1
1-9	650118	Circle-Clip (Pair)	2
1-10	700290	Connecting Rod Bearing	1
1-11	650138	Circle-Clip	2
1-12	650136	Pump Drive Gear	1
1-13	650137	Dowel Pin	1
1-14	650103	Spark Plug NGK (BPR7HS)	1
1-15	650107	Flange Nut (M7x15)	4
1-16	811093	Cylinder Head 70cc	1
1-17	811094	Cylinder Head Gasket 70cc	1
1-18	811096	Cylinder 70cc	1
1-19	650105	Cylinder Base Gasket	1
1-20	750281	Stud Bolt (M5x110)	4
1-21	811091	70cc Top End Kit	1

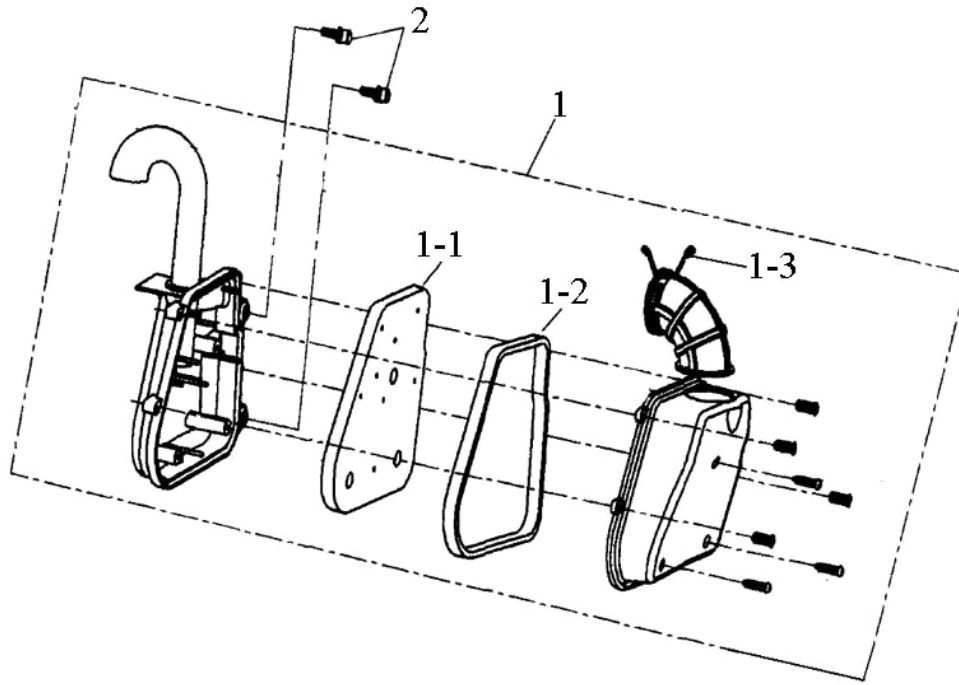
02. Cooling Fan & Engine Shroud



R_02_4

Fig Ref	Item No.	Description	Qty Req
2-1	650120	Engine Shroud	1
2-2	650121	Rubber Mount Block	2
2-3	650122	Fan Cover (Black)	1
2-3-2	810532	Fan Cover Plate (Black)	1
2-3-3	650131	Self Taping Screw (M5x16)	1
2-3-4	650132	Flat Washer (M5x18x1)	1
2-4	650123	Pan Head Bolt & Washer (M6x20)	2
2-5	811080	Self Tapping Screw (M6x40)	1
2-6	650655	Fan	1
2-7	650126	O-Ring	1
2-8	650127	Pan Head Bolt & Washer (M6x16)	3
2-9	650128	Deflector	1

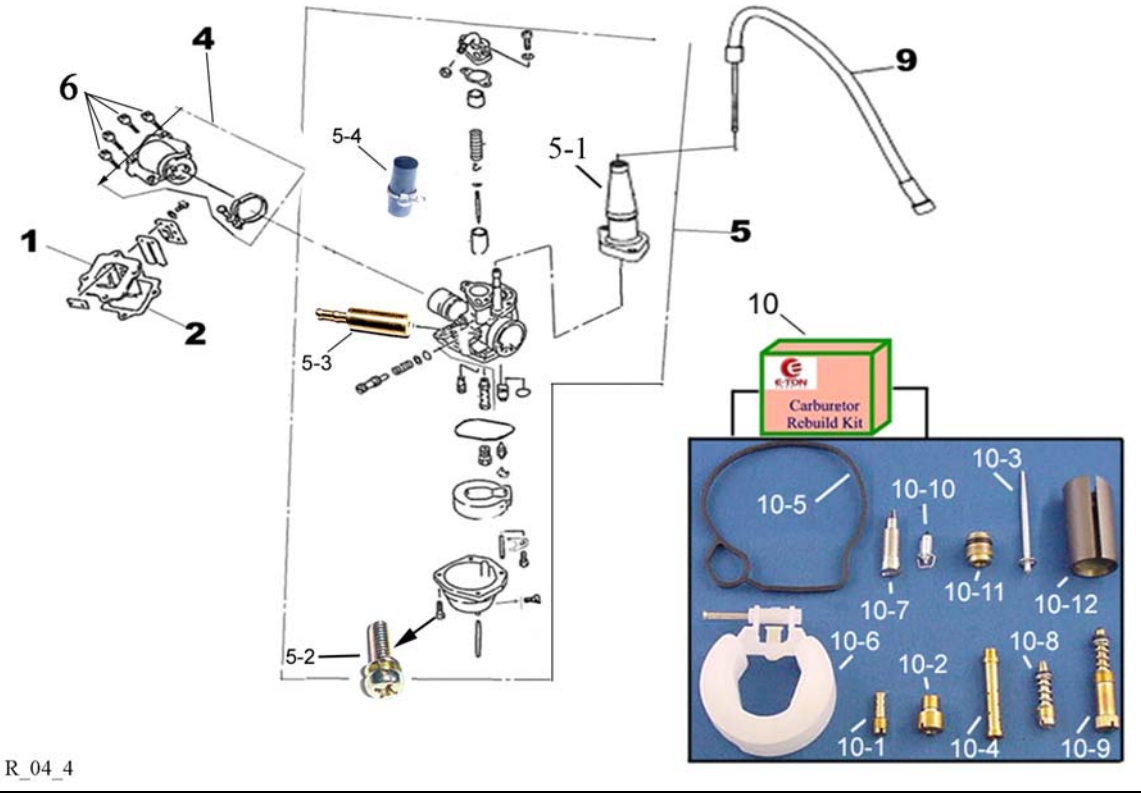
03. Air Filter



R_03_4

Fig Ref	Item No.	Description	Qty Req
3-1	650144	Air Cleaner Assembly	1
3-1-1	650145	Air Cleaner Element	1
3-1-2	650146	Seal	1
3-1-3	610190	Tube Clip	1
3-2	700359	Socket Bolt & Washer (M6x20)	2

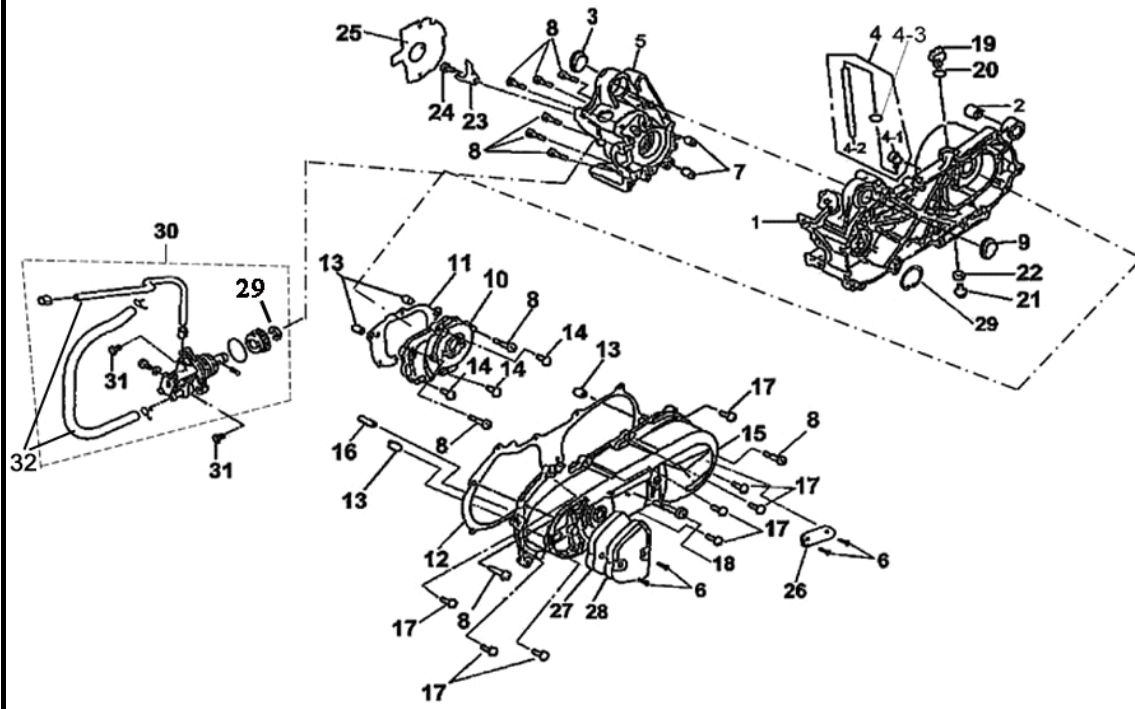
04. Carburetor



R_04_4

Fig Ref	Item No.	Description	Qty Req
4-1	650140	Reed Valve	1
4-2	650141	Reed Valve Gasket	1
4-4	650142	Intake Manifold	1
4-5	811116	Carburetor (Manual Choke 70cc)	1
4-5-1	610197	Manual Choke 50/70/90cc	1
4-5-2	650987	Carburetor Bowl Bolt	4
4-5-3	650012	Oil Check Valve	1
4-5-4	651011	Intake Cap	1
4-6	650143	Flange Bolt (M6x20)	4
4-9	610198	Manual Choke Cable	1
4-10	810531	Carburetor Kit (70cc & 90cc)	1
10-1	811089	Pilot Jet #20	1
10-2	810409	Main Jet #85	1
10-3	610401	Jet Needle (*3CR4)	1
10-4	610400	Needle Jet (*681 E-3)	1
10-5	610405	Bowl Gasket	1
10-6	610406	Carburetor Float	1
10-7	610407	Carburetor Bowl Drain Bolt	1
10-8	812390	Air Adjustment Screw	1
10-9	812399	Throttle Adjustment Screw	1
10-10	610404	Float Valve Needle	1
10-11	812401	Needle Valve Seat	1
10-12	812402	Throttle Valve	1
04-NP	810410	Main Jet #80	1
04-NP	811092	Main Jet #88	1
04-NP	810408	Main Jet #90	1

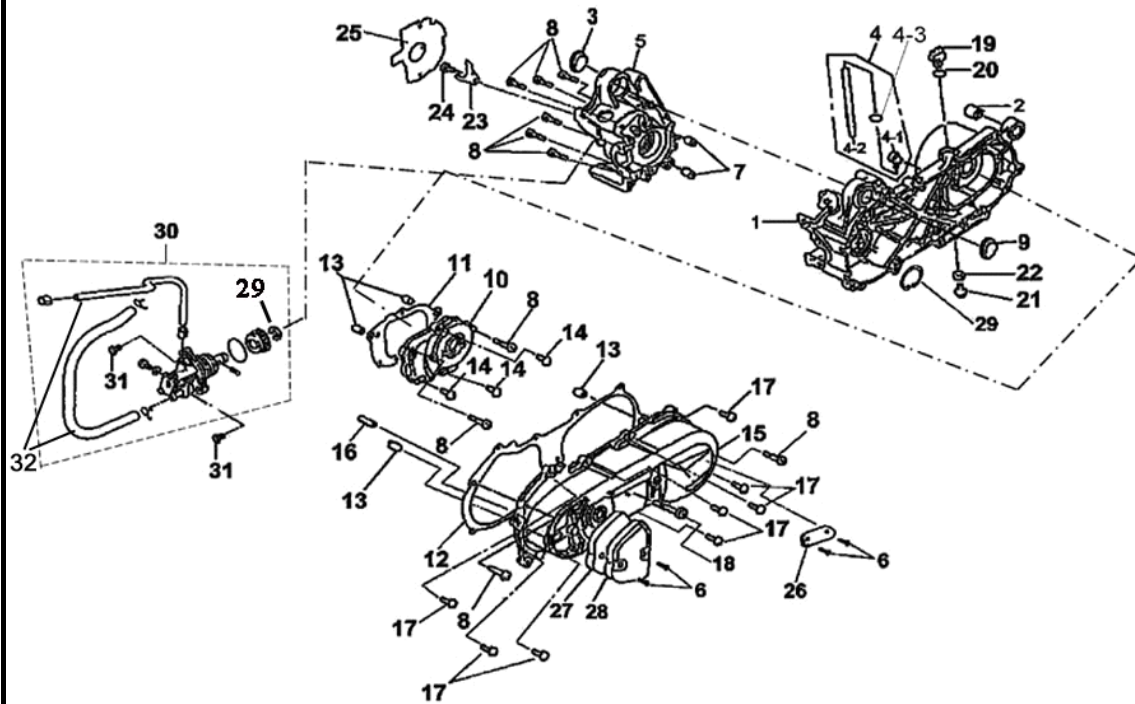
05. Crankcase, Case Cover & Oil Pump



R7_05_4

Fig Ref	Item No.	Description	Qty Req
5-1	650149	Crankcase (LH-50cc)	1
5-2	650150	Rear Shock Absorber Bushing	1
5-3	650139	Rubber Plug	1
5-4	650151	Breather Hose	1
5-4-1	650991	Breather Joint	1
5-4-2	650992	Breather Hose	1
5-5	650152	Crankcase (RH-50cc)	1
5-6	650174	Pan Head Bolt (M5x7)	4
5-7	650153	Dowel Pin (10x14)	2
5-8	650154	Pan Head Bolt (M6x35)	10
5-9	650139	Rubber Plug	1
5-10	650155	Transmission Cover	1
5-11	650156	Transmission Cover Gasket	1
5-12	650157	Crankcase Cover Gasket (LH)	1
5-13	650158	Dowel Pin (M10x14)	4
5-14	650159	Pan Head Bolt (M6x20)	3
5-15	650160	Crankcase Cover (LH)	1
5-16	650161	Dowl Pin (8x31)	1
5-17	650163	Pan Head Bolt (M6x25)	8
5-18	650164	Pan Head Bolt (M6x65)	1
5-19	650165	Oil Filler Plug	1
5-20	650166	Oil Filler Plug O-Ring (13.8x2)	1
5-21	650167	Flange Bolt (M8x16)	1
5-22	650168	Flat Washer (M7x12x1)	1
5-23	650169	Retainer Plate	1
5-24	650170	Pan Head Bolt (M6x12)	1

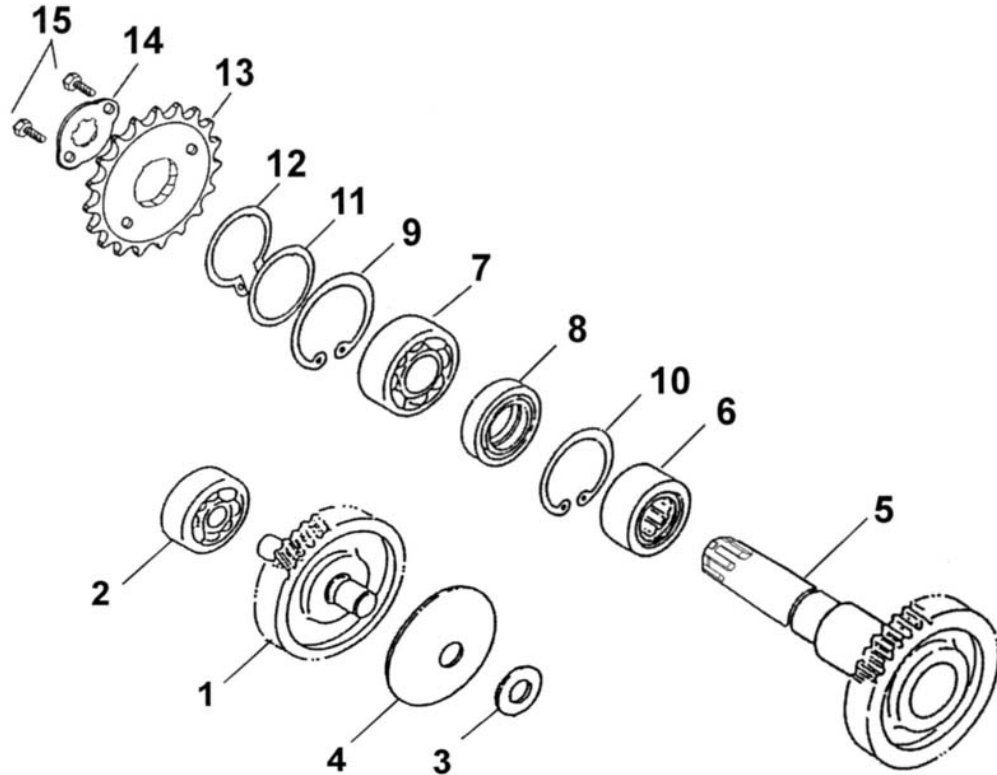
05. Crankcase, Case Cover & Oil Pump



R7_05_4

Fig Ref	Item No.	Description	Qty Req
5-25	650171	Crankcase Cover Gasket (RH)	1
5-26	650175	Inspection Hole Cover Plate	1
5-27	650172	C.V.T. Filter Element	1
5-28	650173	C.V.T. Filter Cover	1
5-29	650220	Circle-Clip (45.5x17.5)	1
5-30	811118	Oil Pump 70cc	1
5-31	650135	Pan Head Bolt (M5x14)	2
5-32	811310	Clear_line Oil Pump Lines	1

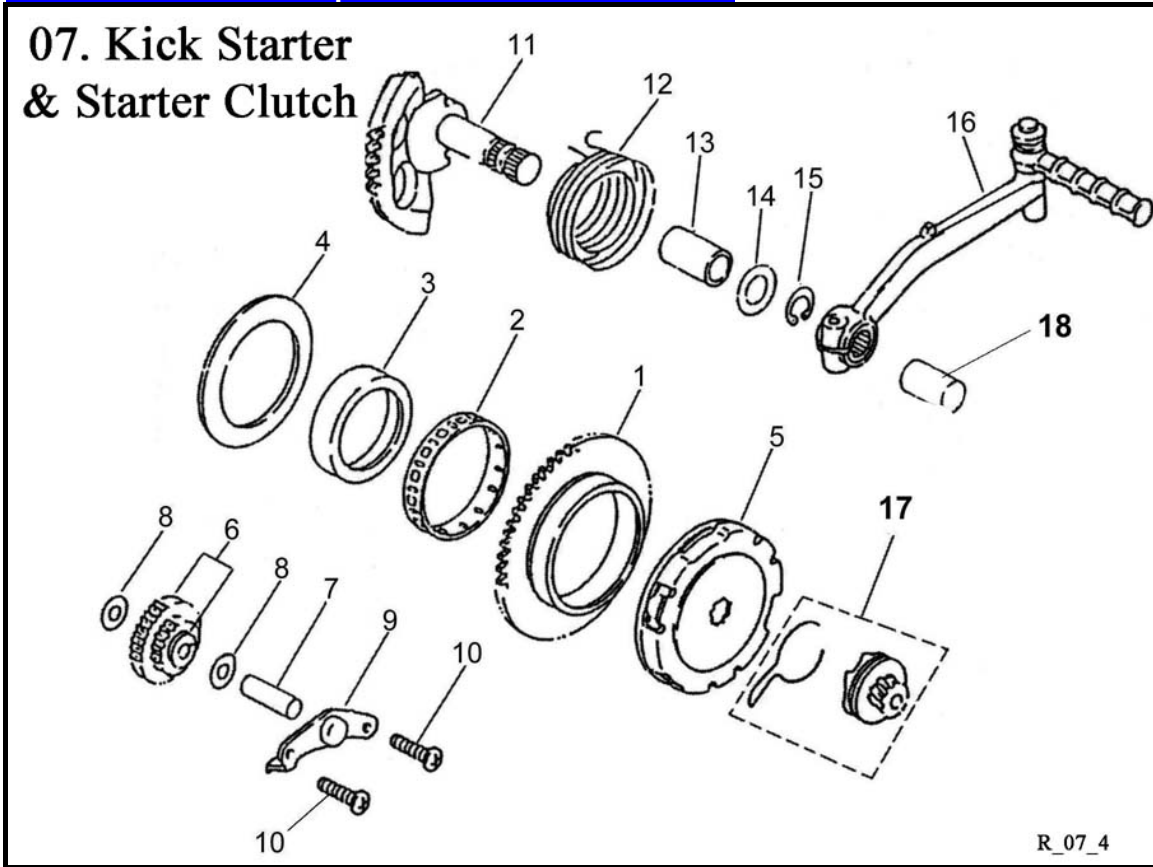
06. Transmission



R_06_4

Fig Ref	Item No.	Description	Qty Req
6-1	650505	Counter Shaft	1
6-2	650213	Radial Ball Bearing	1
6-3	650214	Flat Washer (M11x21x1)	1
6-4	650215	Conical Washer (M11x60x1)	1
6-5	650506	Final Drive Shaft	1
6-6	650217	Needle Bearing	1
6-7	650218	Bearing (6004LLUA)	1
6-8	650219	Oil Seal (25x35x6)	1
6-9	650220	Circle-Clip (45.5x17.5)	1
6-10	650221	Circle-Clip (34.4x1.2)	1
6-11	650222	Flat Washer (M20x25x1)	1
6-12	650223	Circle-Clip #20	1
6-13	650507	Drive Chain Sprocket (520x15T)	1
6-14	650225	Sprocket Plate	1
6-15	650226	Bolt (M6x10)	2

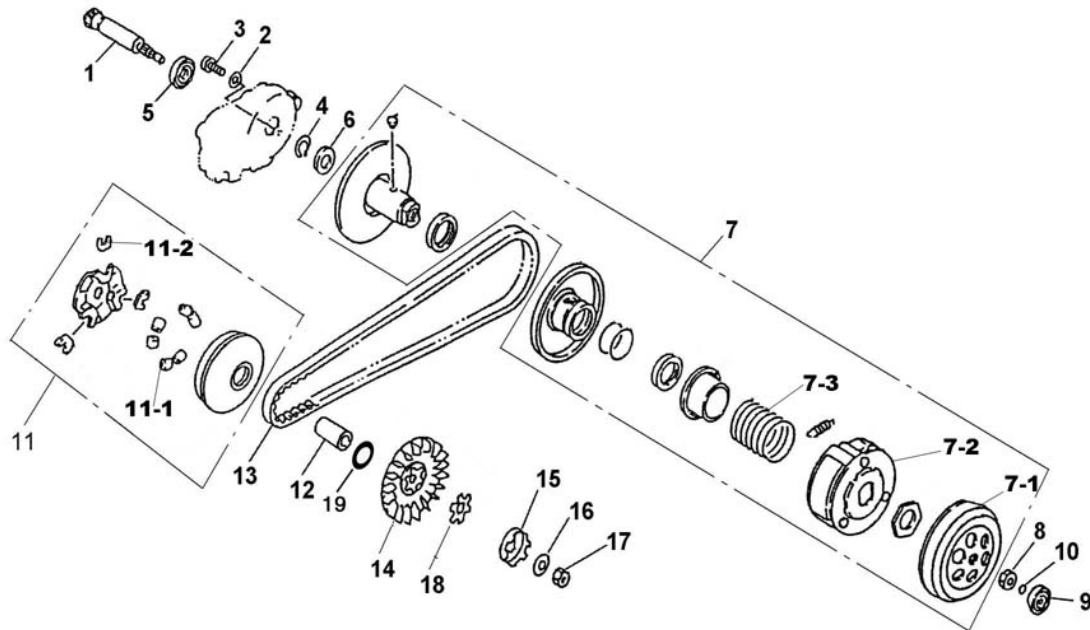
07. Kick Starter & Starter Clutch



R_07_4

Fig Ref	Item No.	Description	Qty Req
7-1	810533	Starter Wheel	1
7-2	650178	Needle Bearing	1
7-3	650179	Boss Gear	1
7-4	650180	Flat Washer (M56x75x1)	1
7-5	650494	Starter Clutch	1
7-6	650495	Starter Motor Reduction Gear	1
7-7	650183	Reduction Gear Shaft	1
7-8	650184	Flat Washer (M7x15x1)	2
7-9	650185	Reduction Gear Retainer Plate	1
7-10	610201	Pan Head Bolt & Washer (M6x14)	2
7-11	650187	Kick Starter Spindle	1
7-12	650188	Torsion Spring	1
7-13	650189	Solid Bushing	1
7-14	650190	Flat Washer (M15x29x1)	1
7-15	650191	Circle-Clip	1
7-16	610136	Kick Starter Crank	1
7-17	650194	Kick Pinion Gear	1
7-18	651007	Kick Starter Shaft Rubber Cap	1

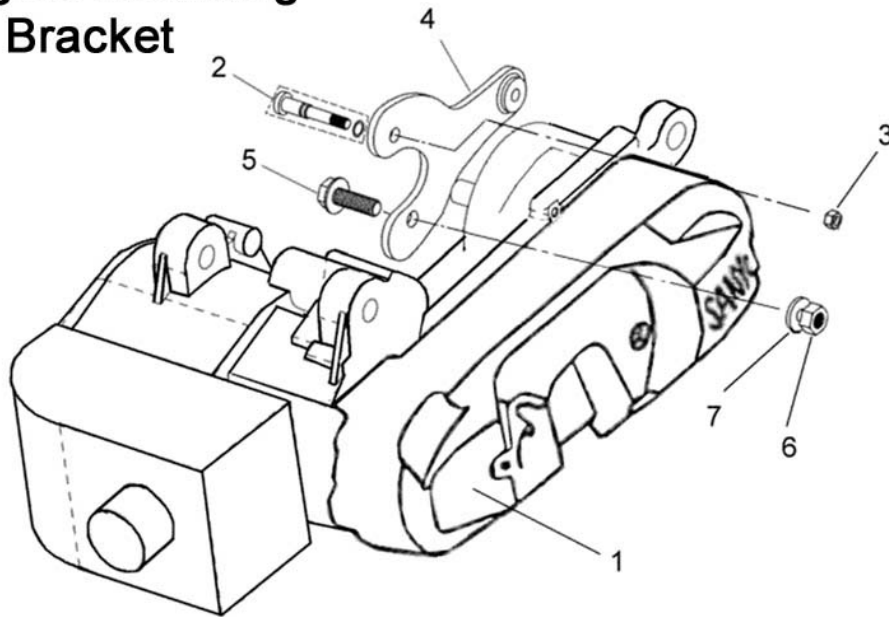
08. (C.V.T.) Driven Pulley



R_08_4

Fig Ref	Item No.	Description	Qty Req
8-1	650497	Drive Shaft	1
8-2	811082	Flat Washer (M5x18x1)	1
8-3	650197	Pan Head Bolt (M6x10)	1
8-4	650198	Circle-Clip	1
8-5	650199	Radial Ball Bearing 6003	1
8-6	650200	Oil Seal (17x28x5.5)	1
8-7	650498	Secondary Drive Pulley	1
8-7-1	811531	Drive Clutch Drum	1
8-7-2	811528	Drive Clutch Assembly	1
8-7-3	811530	Drive Face Spring	1
8-8	650202	Flange Nut (M10x22)	1
8-9	650203	Radial Ball Bearing	1
8-10	650204	O-Ring	1
8-11	650500	Drive Clutch Sliding Face	1
8-11-1	811525	Clutch Rollers 7.5g (Set 6)	1
8-11-2	811527	Slide Retainer Clips (Set 3)	1
8-12	650501	Collar	1
8-13	650207	V-Belt	1
8-14	650502	Primary Fixed Sheave	1
8-15	650503	Kick Starter Ratchet	1
8-16	650210	Conical Washer (M10x22)	1
8-17	650211	Hex Nut (M10x16x1.25)	1
8-18	811020	Drive Face Washer	1
8-19	811127	Flat Washer (M12x16x1)	1

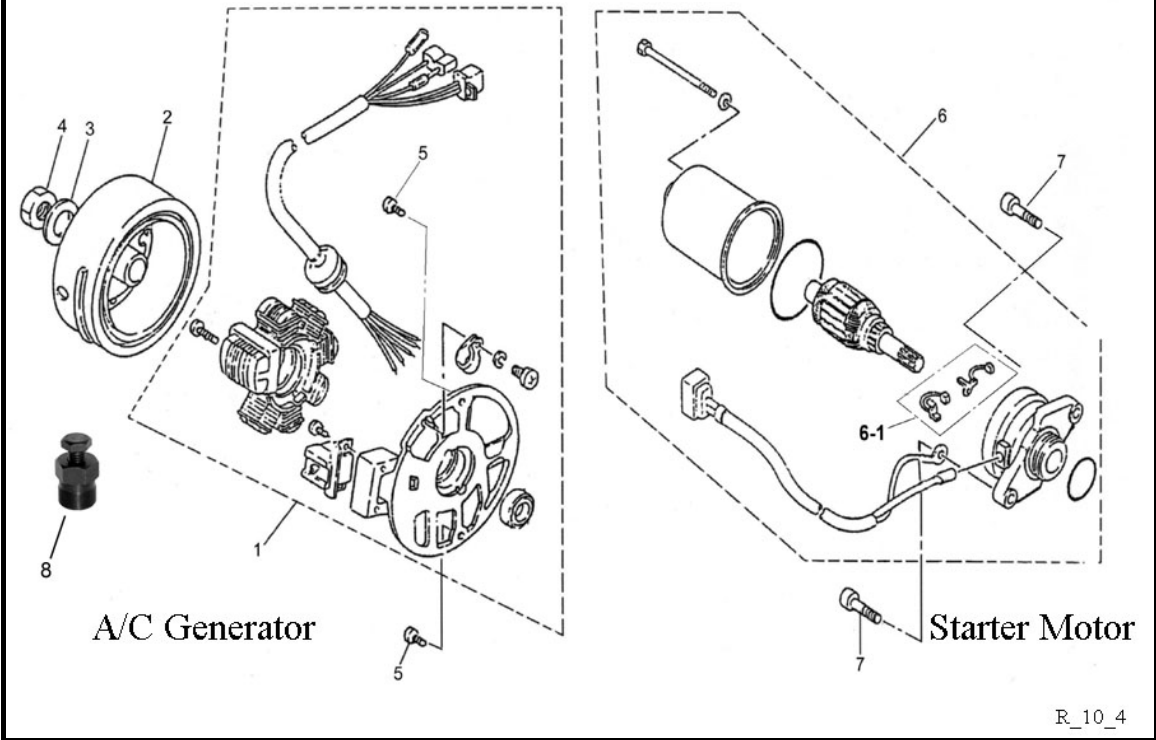
09. Engine & Engine Mounting Bracket



R_09_4

Fig Ref	Item No.	Description	Qty Req
9-1	811119	Engine 70cc	1
9-2	650227	Pivot Pin (M8x55)	1
9-3	650228	Locking Flange Nut (M6x18)	1
9-4	650229	Engine Bracket	1
9-5	650230	Flange Bolt (M12 X 38)	1
9-6	650231	Nut (M12x20)	1
9-7	650232	Flat Washer (M11x18x1)	1

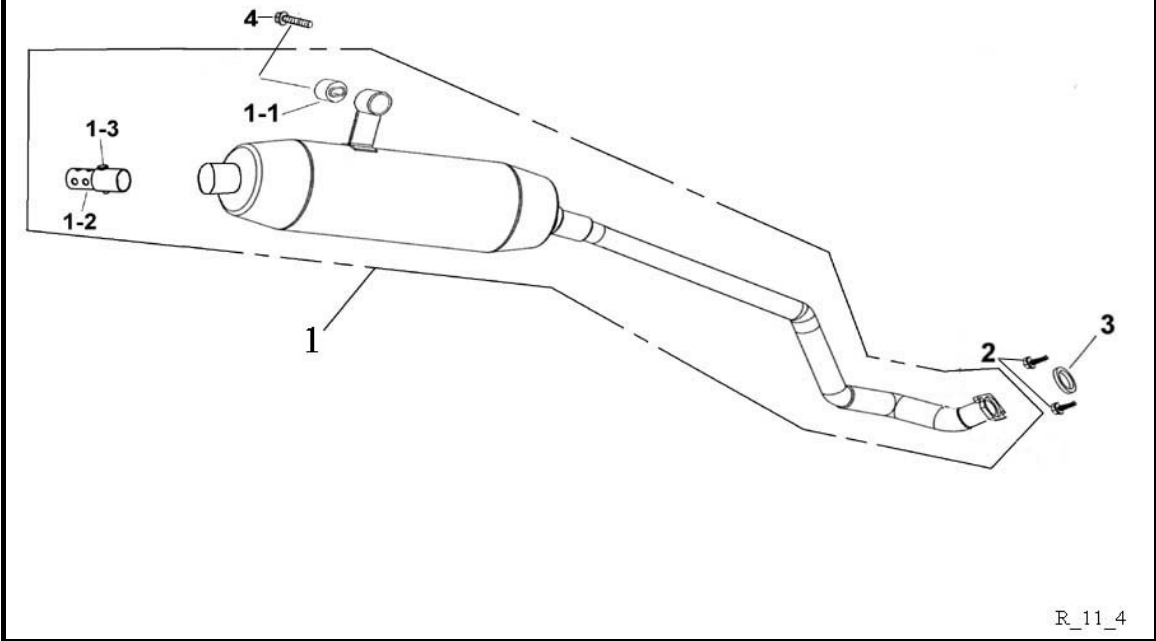
10. A/C Generator & Starter Motor



R_10_4

Fig Ref	Item No.	Description	Qty Req
10-1	650234	AC Generator	1
10-2	650508	Flywheel	1
10-3	650509	Flat Washer (M13x25x2)	1
10-4	650510	Flange Nut (M12x22)	1
10-5	650238	Pan Head Bolt (M6x16)	2
10-6	650511	Starter Motor	1
10-6-1	811034	Starter Motor Brushes (Pair)	1
10-7	650143	Flange Bolt (M6x20)	2
10-8	650660	Fly Wheel Puller Tool	1

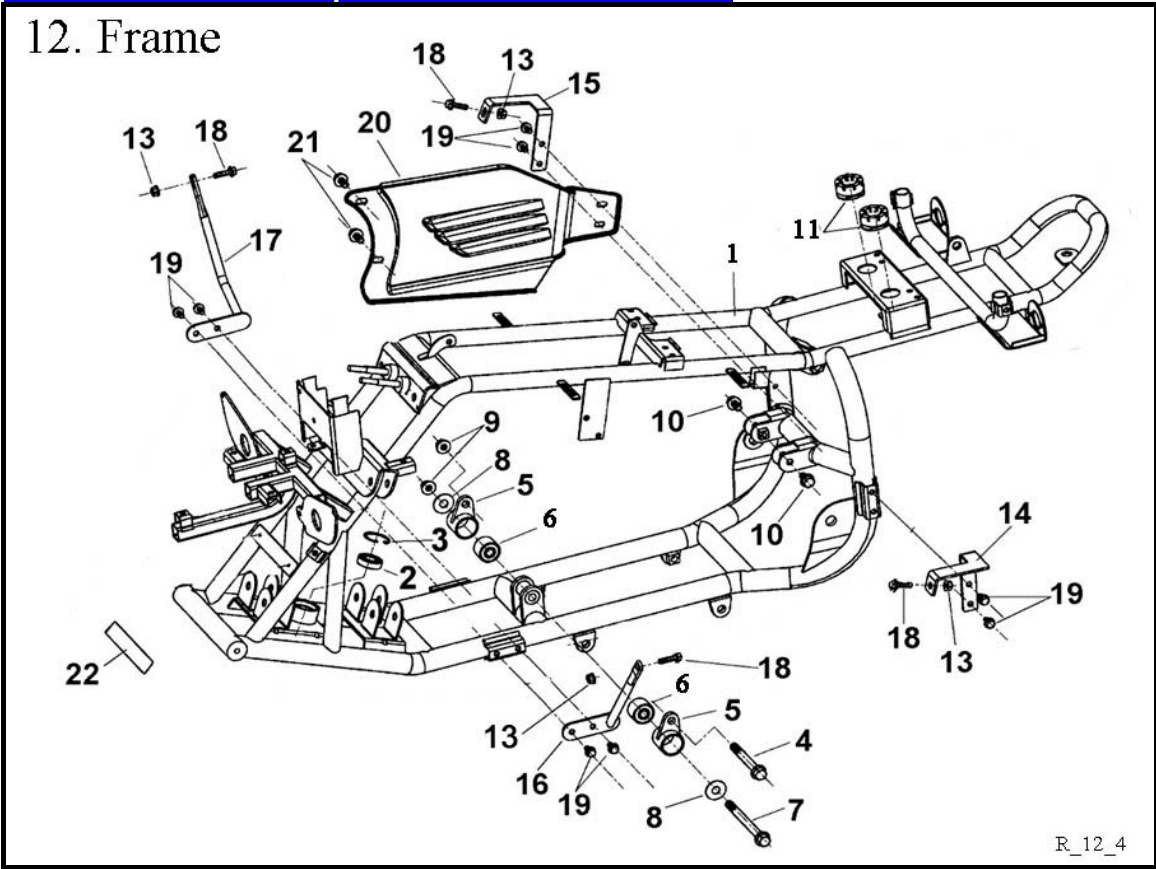
11. Exhaust Muffler (Type - SA)



R_11_4

Fig Ref	Item No.	Description	Qty Req
11-1	811121	Exhaust Muffler Type (SA)	1
11-1-1	811009	Muffler Hanger Bushing	1
11-1-2	811008	Spark Arrestor Screen	1
11-1-3	811012	Spark Arrestor Bolt (M5x35)	1
11-2	650242	Flange Bolt (M6x18)	2
11-3	650243	Exhaust Muffler Gasket	1
11-4	811095	Pin Hole Bolt (M10x48)	1

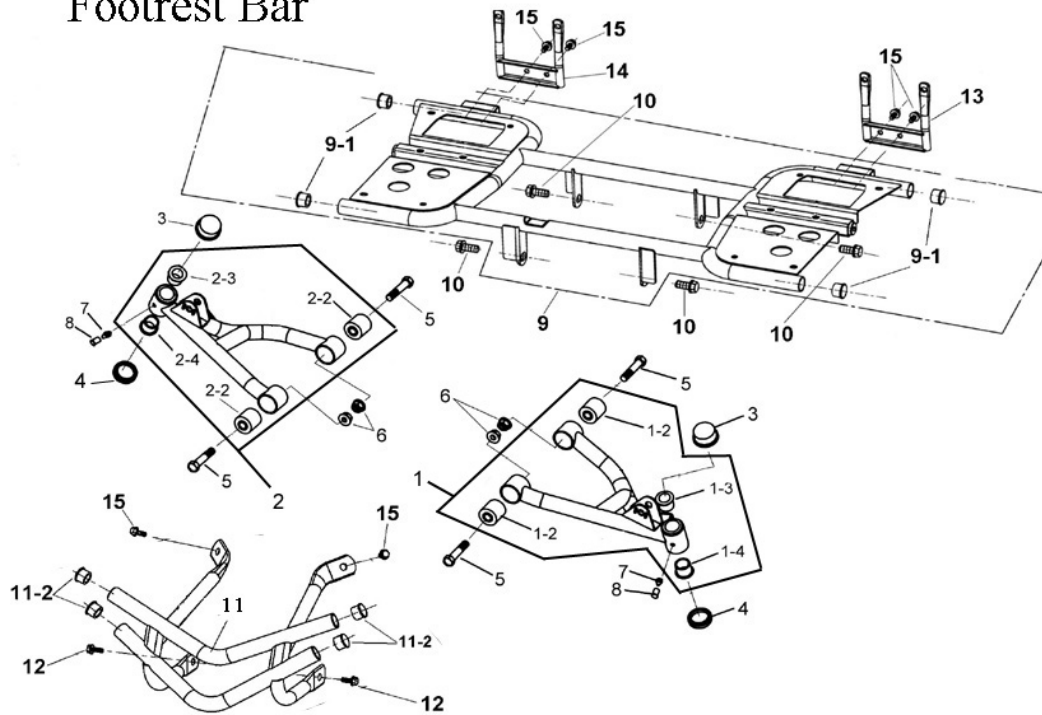
12. Frame



R_12_4

Fig Ref	Item No.	Description	Qty Req
12-1	610041	Viper Frame	1
12-2	650967	Bearing (6002ZZ)	1
12-3	650248	Circle-Clip	1
12-4	650251	Engine Set Bolt (M10 X 85)	1
12-5	650252	Engine Suspension Bracket	2
12-6	650253	Bushing	2
12-7	650254	Engine Set Bolt (M10 X 115)	1
12-8	650265	Flat Washer (M11x28x1)	2
12-9	700320	Locking Flange Nut (M10)	2
12-10	650256	Flange Bolt (M8 X 36)	2
12-11	650250	Rubber Damper (37 X 13 X 23)	2
12-13	800504	Locking Flange Nut (M6x11)	4
12-14	610042	Rear Fender Bracket (LH)	1
12-15	610043	Rear Fender Bracket (RH)	1
12-16	610044	Front Fender Bracket (LH)	1
12-17	610045	Front Fender Bracket (RH)	1
12-18	650307	Pan Head Bolt (M6 x 23)	4
12-19	650271	Flange Bolt (M6 X 12)	8
12-20	650993	Front Chain Cover	1
12-21	650294	Flange Bolt (M8 X 16)	2
12-22	650306	MFD Label	1

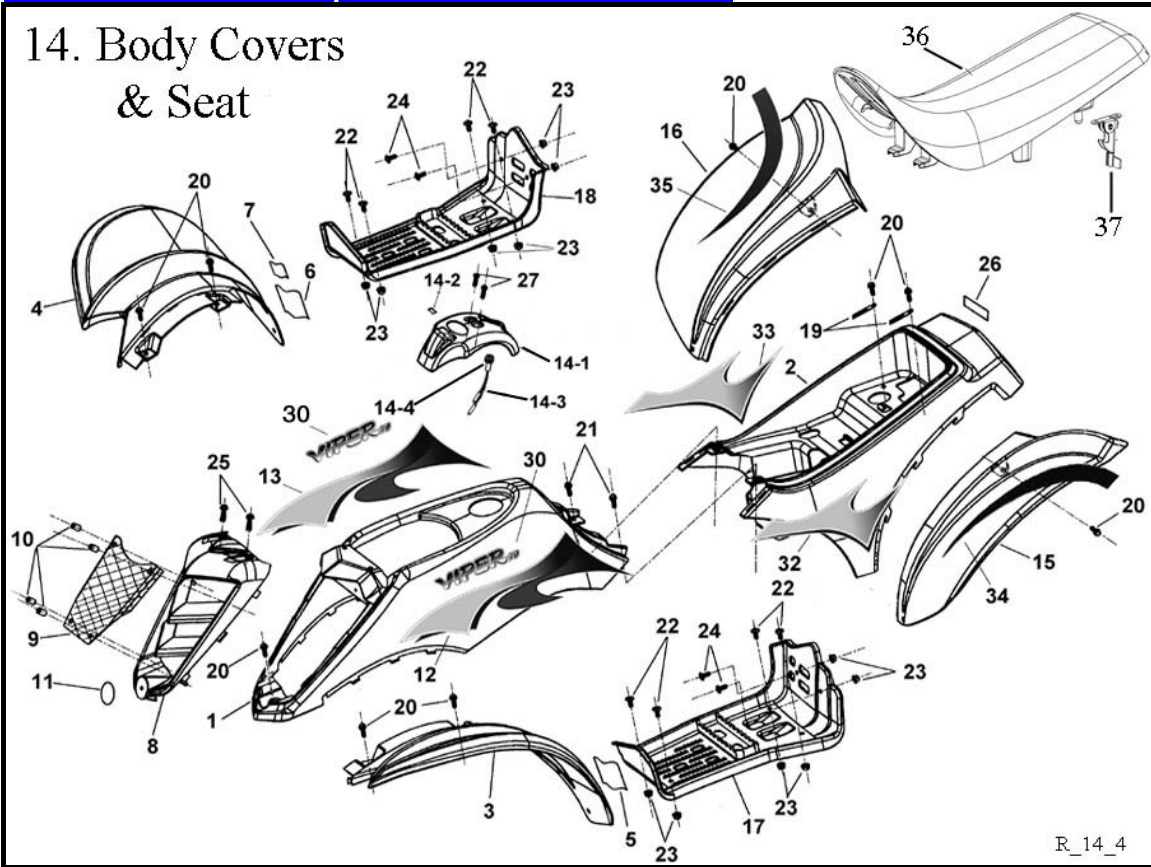
13. Front Bumper, A-Arms & Footrest Bar



R_13_4

Fig Ref	Item No.	Description	Qty Req
13-1	610046	A-Arm (LH) Silver	1
13-1-2	650253	Bushing	2
13-1-3	650282	Oil Containing Bushing (015.5)	1
13-1-4	650283	Oil Containing Bushing (17)	1
13-2	610047	A-Arm (RH) Silver	1
13-2-2	650253	Bushing	2
13-2-3	650282	Oil Containing Bushing (015.5)	1
13-2-4	650283	Oil Containing Bushing (17)	1
13-3	650285	Dust Cover	2
13-4	650286	Dust Seal	2
13-5	650287	Flange Bolt (M10x48)	4
13-6	650255	Locking Flange Nut (M10x19)	4
13-7	650289	Grease Zerk	2
13-8	650290	Grease Zerk Cap	2
13-9	811051	Footrest Support	1
13-9-1	610066	Rubber Plug	4
13-10	650244	Flange Bolt (M10x22)	4
13-11	610058	Front Bumper Bar (Silver)	1
13-11-2	610066	Rubber Plug	4
13-13	610065	Footrest Rear Guard Bar (RH)	1
13-14	610064	Footrest Rear Guard Bar (LH)	1
13-15	650294	Flange Bolt (M8 X 16)	4
13-18	650271	Flange Bolt (M6 X 12)	6

14. Body Covers & Seat



R_14_4

Fig Ref	Item No.	Description	Qty Req
14-1	610087	Front Body Cover (Blue)	1
14-1	610085	Front Body Cover (Yellow)	1
14-1	610086	Front Body Cover (Red)	1
14-1	610300	Front Body Cover (Black)	1
14-2	610095	Rear Body Cover (Blue)	1
14-2	610093	Rear Body Cover (Yellow)	1
14-2	610094	Rear Body Cover (Red)	1
14-2	610301	Rear Body Cover (Black)	1
14-3	610081	Front Fender Panel (LH-Blue)	1
14-3	610079	Front Fender Panel (LH-Yellow)	1
14-3	610080	Front Fender Panel (LH-Red)	1
14-3	610302	Front Fender Panel (LH-Black)	1
14-4	610084	Front Fender Panel (RH-Blue)	1
14-4	610082	Front Fender Panel (RH-Yellow)	1
14-4	610083	Front Fender Panel (RH-Red)	1
14-4	610303	Front Fender Panel (RH-Black)	1
14-5	811100	Warning Label (Passengers)	1
14-6	811133	Warning Label (Y6)	1
14-6	812319	Warning Label (Y8)	1
14-8	610090	Front Grill Panel (Blue)	1
14-8	610088	Front Grill Panel (Yellow)	1
14-8	610089	Front Grill Panel (Red)	1
14-8	610307	Front Grill Panel (Black)	1
14-9	610060	Front Grill Screen	1
14-10	610062	Grill Screen Fastener	4
14-11	750270	E-TON Logo Emblem (Silver)	1

14. Body Covers & Seat

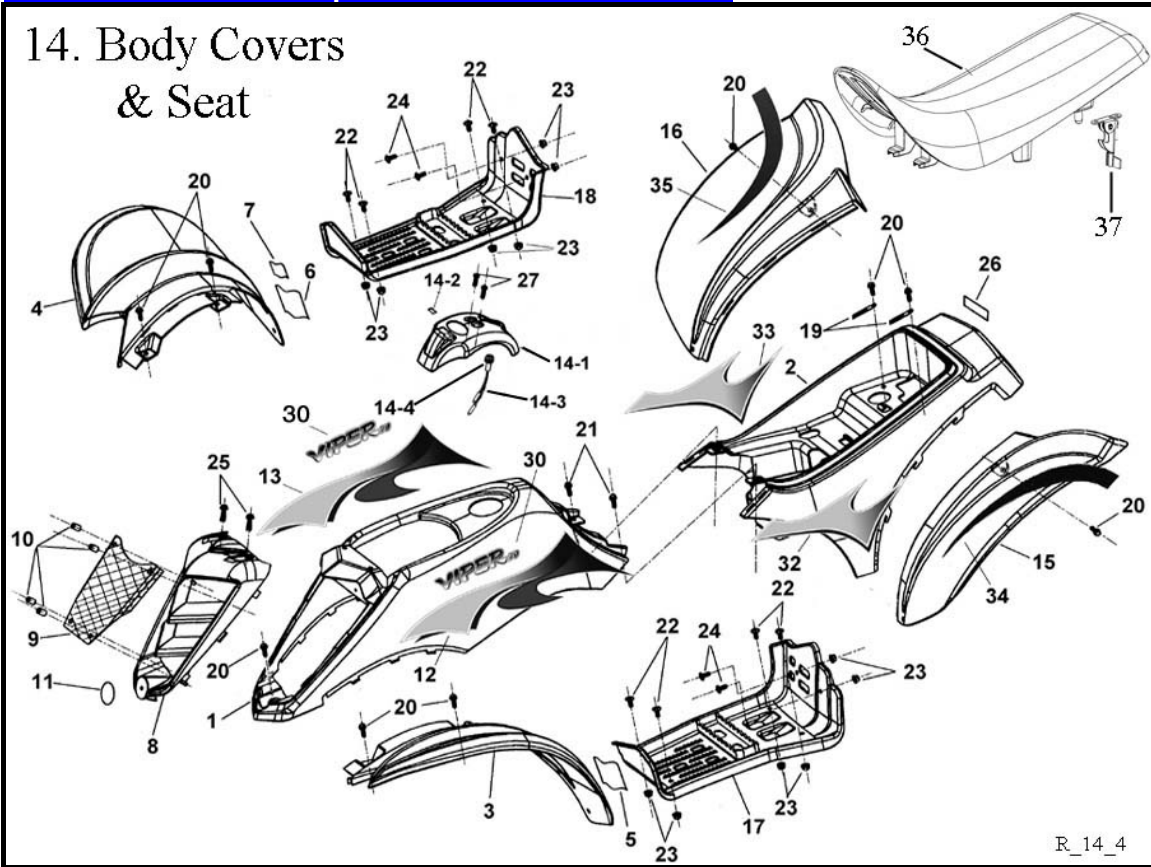
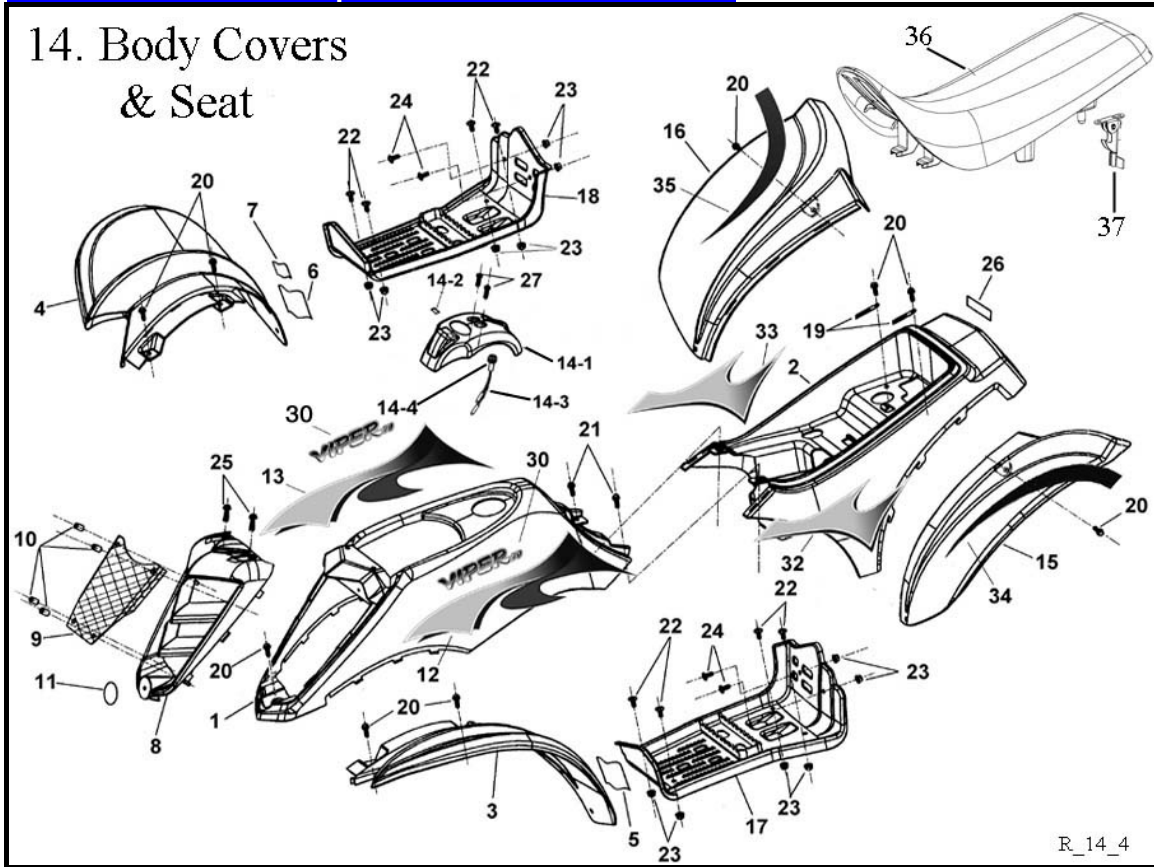


Fig Ref	Item No.	Description	Qty Req
14-12	610179	Viper Frnt Body Grph (Ylw/LH)	1
14-12	610180	Viper Frnt Body Grph (Red/LH)	1
14-13	610181	Viper Frnt Body Grph (Ylw/RH)	1
14-13	610182	Viper Frnt Body Grph (Red/RH)	1
14-14-1	610076	Handle Bar Cover (Blue)	1
14-14-1	610074	Handle Bar Cover (Yellow)	1
14-14-1	610075	Handle Bar Cover (Red)	1
14-14-1	610308	Handle Bar Cover (Black)	1
14-14-2	610161	Oil Light Label	1
14-14-3	800542	Indicator light (Red)	1
14-14-4	610012	Indicator Light Nut (M9x11)	1
14-15	610100	Rear Fender Panel (LH-Blue)	1
14-15	610098	Rear Fender Panel (LH-Yellow)	1
14-15	610099	Rear Fender Panel (LH-Red)	1
14-15	610304	Rear Fender Panel (LH-Black)	1
14-16	610103	Rear Fender Panel (RH-Blue)	1
14-16	610101	Rear Fender Panel (RH-Yellow)	1
14-16	610102	Rear Fender Panel (RH-Red)	1
14-16	610305	Rear Fender Panel (RH-Black)	1
14-17	610096	Foot Rest Cover/Guard (LH)	1
14-18	610097	Foot Rest Cover/Guard (RH)	1
14-20	650262	Bolt Washer & Nut (M6x18)	9
14-21	650901	Bolt & Washer (M6x20)	2
14-22	800374	Plastic Fastener	8
14-23	800504	Locking Flange Nut (M6x11)	12
14-24	650943	Button Head Bolt (M6x18)	4

14. Body Covers & Seat



R_14_4

Fig Ref	Item No.	Description	Qty Req
14-25	800374	Plastic Fastener	2
14-26	650994	Warning Label (Muffler)	1
14-27	650311	Pan Head Bolt (M6x12)	2
14-30	811099	Viper 70 Body Graphic	2
14-32	610185	Viper Rear Body Grph (Ylw/LH)	1
14-32	610186	Viper Rear Body Grph (Red/LH)	1
14-33	610187	Viper Rear Body Grph (Ylw/RH)	1
14-33	610188	Viper Rear Body Grph (Red/RH)	1
14-34	610183	Viper Rear Fender Grph (LH)	1
14-35	610184	Viper Rear Fender Grph (RH)	1
14-36	610172	Viper Seat (Blk/Ylw)	1
14-36	610173	Viper Seat (Blk/Red)	1
14-37	610092	Seat Latch	1
14-38	811185	RXL-70 Grph Kit ('05 Frnt Ylw)	1
14-39	811186	RXL-70 Grph Kit ('05 Frnt Red)	1
14-40	610913	Viper Grph Kit 04 Rear Ylw	1
14-41	610912	Viper Grph Kit 04 Rear Red	1

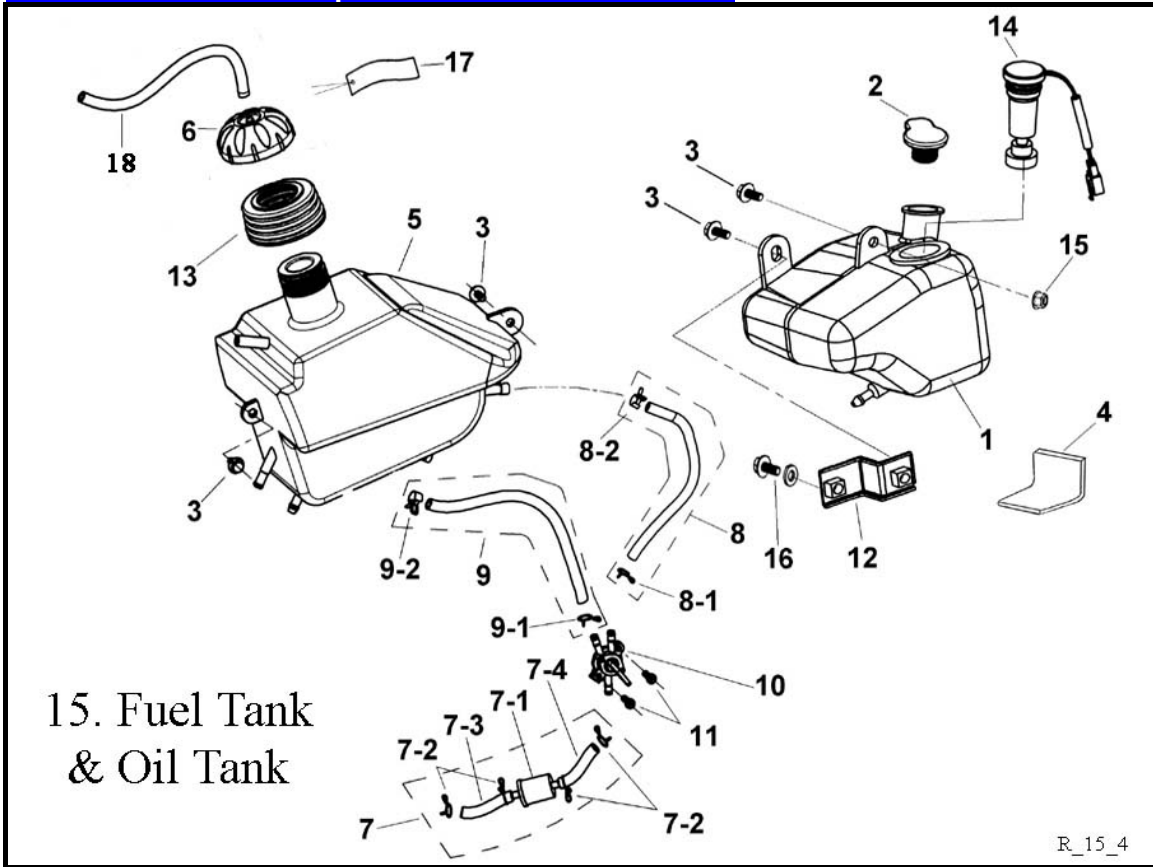
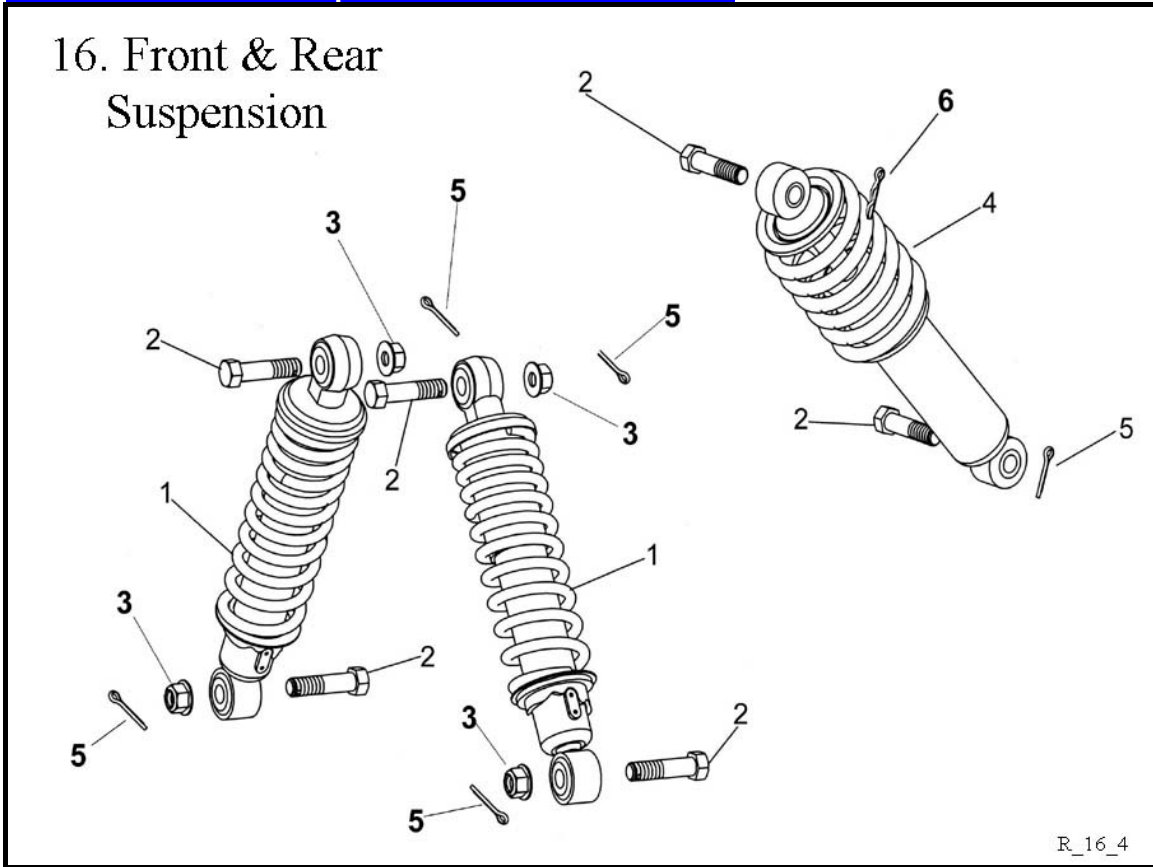


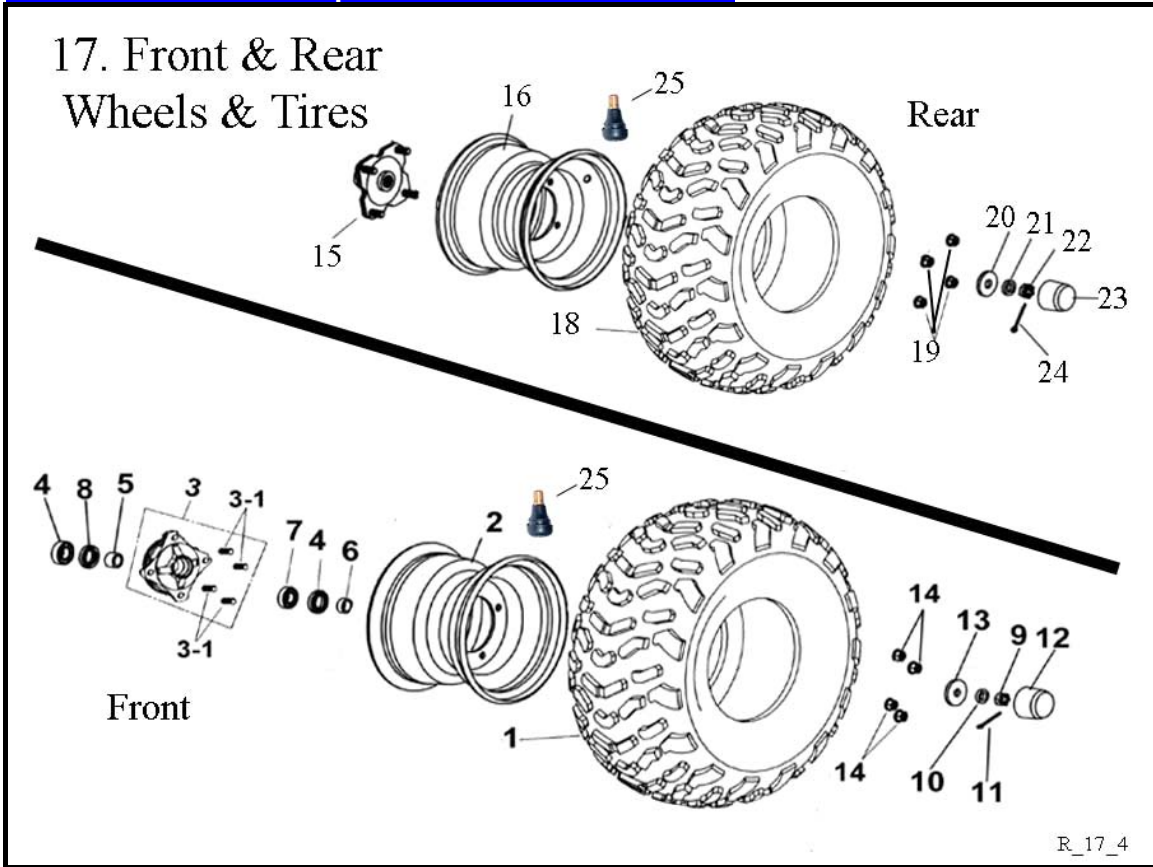
Fig Ref	Item No.	Description	Qty Req
15-1	811063	Oil Tank (PMX)	1
15-2	650323	Oil Tank Cap	1
15-3	650901	Bolt & Washer (M6x20)	4
15-4	811104	Oil Tank Pad	1
15-5	811005	Fuel Tank	1
15-6	650327	Fuel Tank Cap	1
15-7	650328	Fuel Filter & Lines	1
15-7-1	800002	Fuel Filter Element	1
15-7-2	610008	Fuel Line Clip - A	4
15-7-3	610006	Fuel line - A	1
15-7-4	610007	Fuel Line - B	1
15-8	811006	Primary Fuel Line	1
15-8-1	610008	Fuel Line Clip - A	1
15-8-2	610011	Fuel Line Clip - B	1
15-9	811007	Reserve Fuel Line	1
15-9-1	610008	Fuel Line Clip - A	1
15-9-2	610011	Fuel Line Clip - B	1
15-10	650331	Fuel Petcock	1
15-11	650332	Pan Head Bolt (M5x16)	2
15-12	811003	Oil Tank Bracket	1
15-13	650862	Fuel Cap Neck Seal	1
15-14	610138	Oil Tank Sending Unit	1
15-15	750334	Nut (M6x10)	1
15-16	650453	Pan Head Bolt & Washer (M6x16)	1
15-17	811069	Premix Warning Tag	1
15-18	650853	Breather Tube	1

16. Front & Rear Suspension



R_16_4

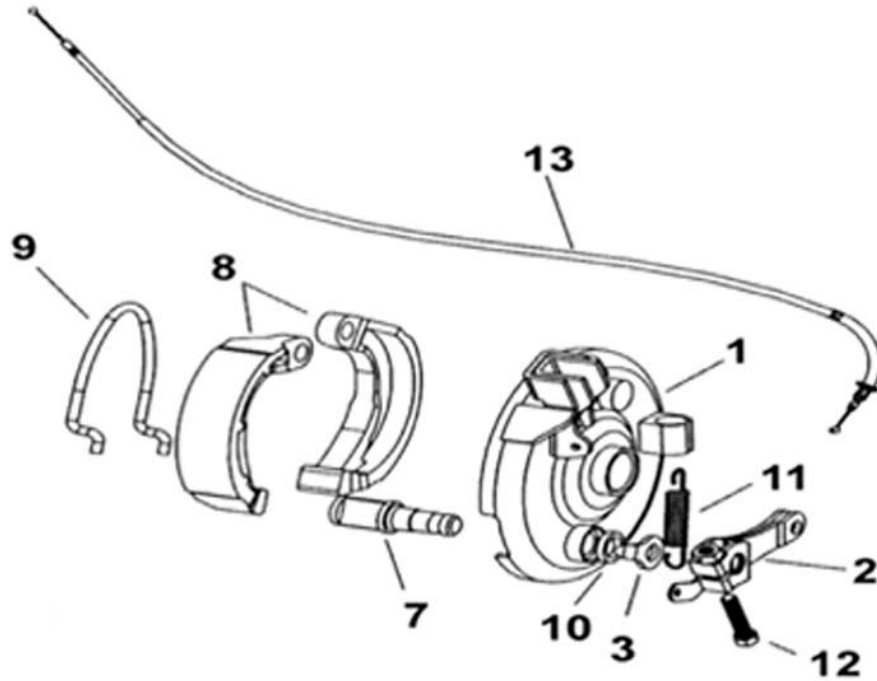
Fig Ref	Item No.	Description	Qty Req
16-1	610068	Front Shock Absorber (Silver)	2
16-2	650997	Pin Hole Bolt (M10 X 40)	6
16-3	750375	Locking Flange Nut (M10x19)	4
16-4	650036	Rear Shock Absorber	1
16-5	650339	Cotter Pin (1/8 x 1)	6
16-6	750318	Hair Pin Cotter	1



R_17_4

Fig Ref	Item No.	Description	Qty Req
17-1	811106	Tire (16x8-7)	2
17-2	811380	Wheel Rim (AT 7X5.5)	2
17-3	650538	Front Brake Drum	2
17-3-1	610040	Stub Bolt (M10x33)	8
17-4	650345	Oil Seal (22x35x7)	4
17-5	650346	Inner Spacer (15x21.7X15)	2
17-6	650347	Outer Spacer (15x21.7x10)	2
17-7	650999	Bearing (6002LLU)	2
17-8	750385	Bearing (6003LLU)	2
17-9	650350	Castle Nut (M12x16)	2
17-10	610139	Flat Washer (M12x20x2)	2
17-11	811084	Cotter Pin	2
17-12	650353	Rubber Hub Cap	2
17-13	650354	Flat Washer (M10x40x4)	2
17-14	650961	Locking Flange Nut (M10x20)	8
17-15	650698	Shaft Connector	2
17-16	811380	Wheel Rim (AT 7X5.5)	2
17-18	811106	Tire (16x8-7)	2
17-19	650961	Locking Flange Nut (M10x20)	8
17-20	650368	Flat Washer (M14x40x5))	2
17-21	650363	Flat Washer (M15x24x5)	2
17-22	650362	Castle Nut (M14x19)	2
17-23	650353	Rubber Hub Cap	2
17-24	811084	Cotter Pin	2
17-25	811000	Wheel Valve Stem	4

18. Front Brakes



R_18_4

Fig Ref	Item No.	Description	Qty Req
18-1	650371	Front Brake Panel (LH)	1
18-1	650374	Front Brake Panel (RH)	1
18-2	650372	Front Brake Arm (LH)	1
18-2	650375	Front Brake Arm (RH)	1
18-3	650373	Front Brake Wear Indicator	2
18-7	650377	Front Brake Arm Cam	2
18-8	650378	Front Brake Shoe (Set)	2
18-9	650379	Brake Shoe Spring	2
18-10	650380	Brake Panel Felt Seal	2
18-11	650381	Brake Return Spring	2
18-12	650382	Bolt (M5 X 24)	2
18-13	610078	Front Brake Cable	2

19. Rear Disc Brake

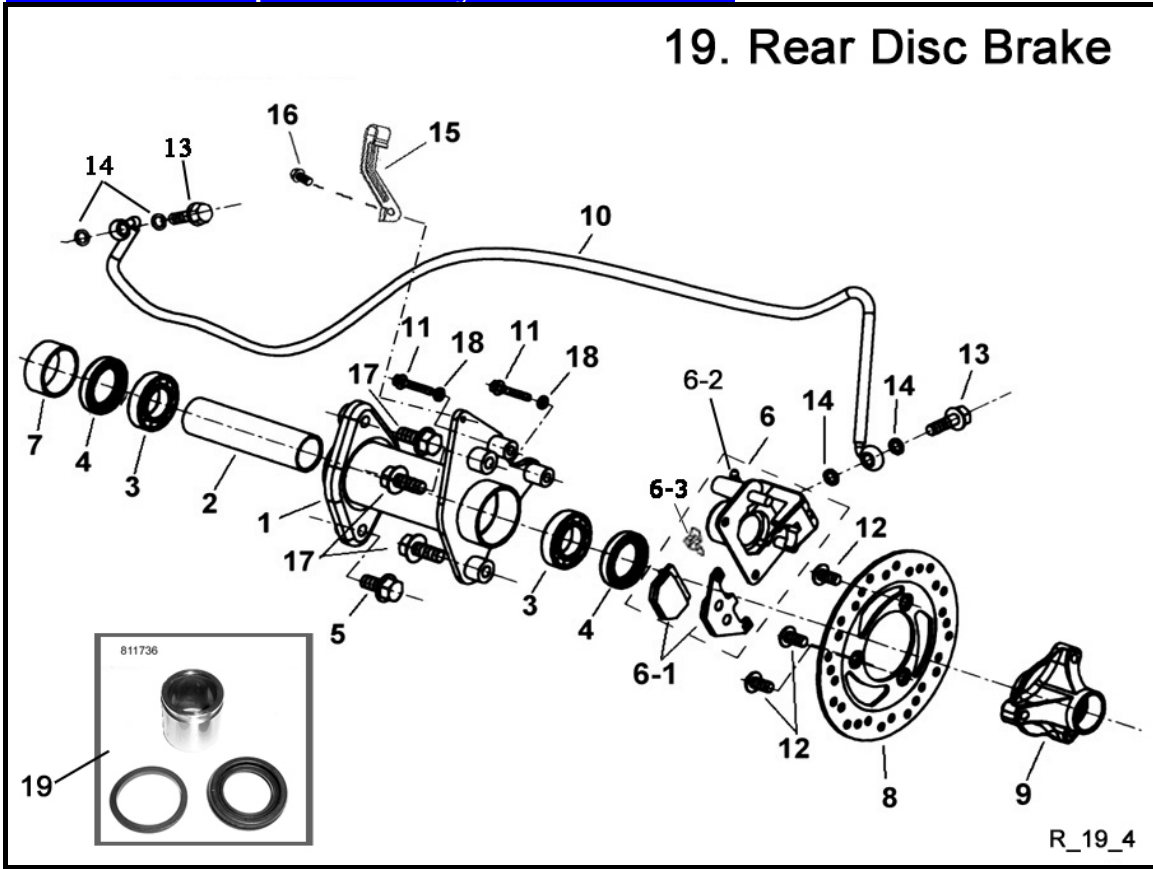


Fig Ref	Item No.	Description	Qty Req
19-1	610141	Rear Axle Bearing Seat	1
19-2	650385	Inner Axle Spacer	1
19-3	650386	Bearing (6006ZZ)	2
19-4	650811	Oil Seal (42x55x8]	2
19-5	650395	Flange Bolt (M12 X 25)	1
19-6	610142	Rear Disc Brake Caliper	1
19-6-1	812805	Disc Brake Pads (Standard)	1
19-6-1	610143	Disc Brake Pads (Heavy Duty)	1
19-6-2	610010	Bleeder Valve & Cap	1
19-6-3	811466	Caliper Retainer Clip	1
19-7	650976	Collar	1
19-8	610144	Rear Brake Rotor	1
19-9	610145	Brake Rotor Mount	1
19-10	610146	Rear Hydraulic Brake Line	1
19-11	650927	Flange Bolt (M8x35)	2
19-12	750292	Allen Head Bolt (M10x20)	3
19-13	750314	Brake Hose Union Bolt M10x21	2
19-14	750309	Flat Washer (M10x12x1)	4
19-15	610148	Brake Line Clip	1
19-16	650271	Flange Bolt (M6 X 12)	1
19-17	650396	Flange Bolt (M12 X 28)	3
19-18	650424	Spring Washer (M8x14x2)	2
19-19	811736	Brake Caliper Service Kit	1

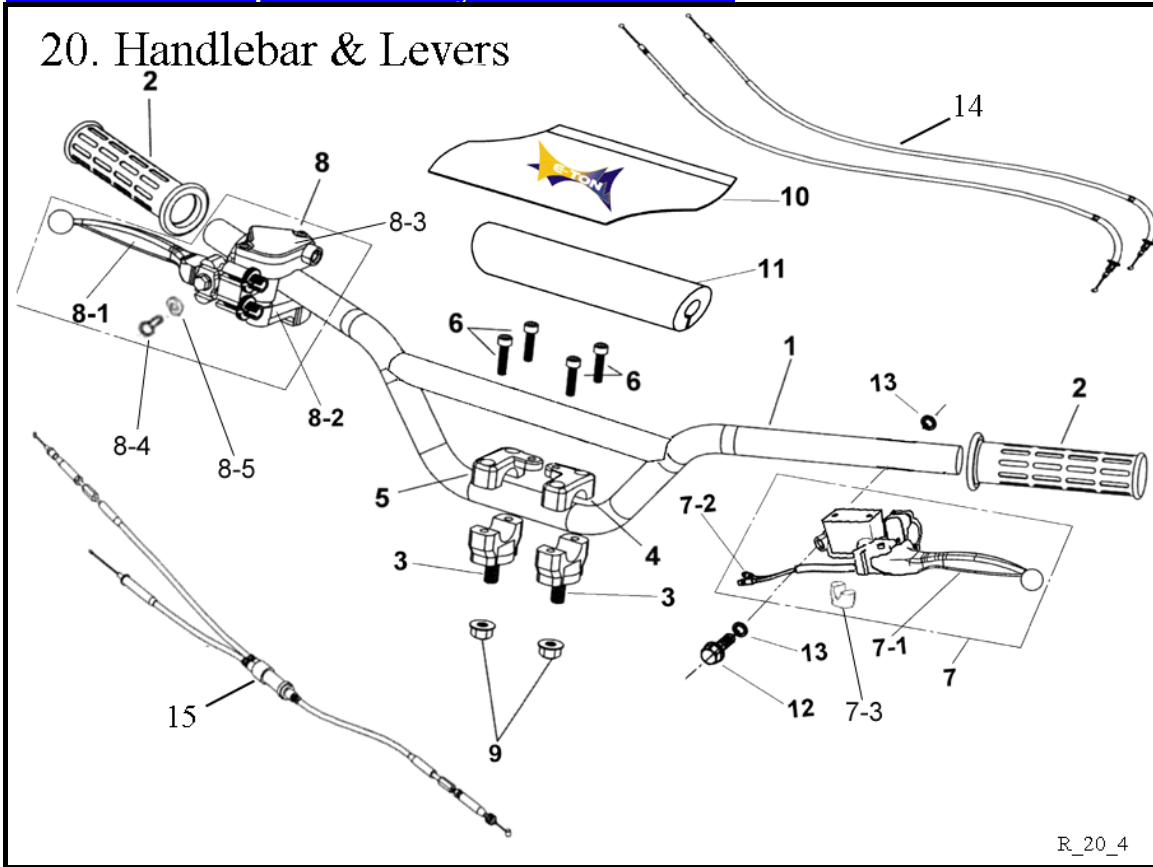


Fig Ref	Item No.	Description	Qty Req
20-1	610069	Handlebar	1
20-2	650410	Handlebar Grip	2
20-3	650411	Handlebar Clamp (Bottom)	2
20-4	650412	Handlebar Clamp Cap (LH)	1
20-5	650413	Handlebar Clamp Cap (RH)	1
20-6	650558	Socket Bolt (M6 X 25)	4
20-7	610149	Brake Master Cylinder & Lever	1
20-7-1	810561	Brake Lever (LH)	1
20-7-2	610152	Brake Switch Assembly	1
20-7-3	812416	Master Cylinder Bottom Clamp	1
20-8	610154	Front Brake Lever (RH)	1
20-8-1	610151	Lever, (only-RH)	1
20-8-2	610150	Throttle Lever (RH)	1
20-8-3	812425	Throttle Cover Assembly	1
20-8-4	650135	Pan Head Bolt (M5x14)	1
20-8-5	813213	Nut (M5x8)	1
20-9	650255	Locking Flange Nut (M10x19)	2
20-10	990050	Yellow N/A - CPSIA Regulation	1
20-10	813846	Handlebar Pad Cover (Black)	1
20-11	811056	Handlebar Pad	1
20-12	750314	Brake Hose Union Bolt M10x21	1
20-13	750309	Flat Washer (M10x12x1)	2
20-14	610078	Front Brake Cable	2
20-15	610013	Throttle Cable Assembly	1

21. Rear Drive Axle & Drive Chain

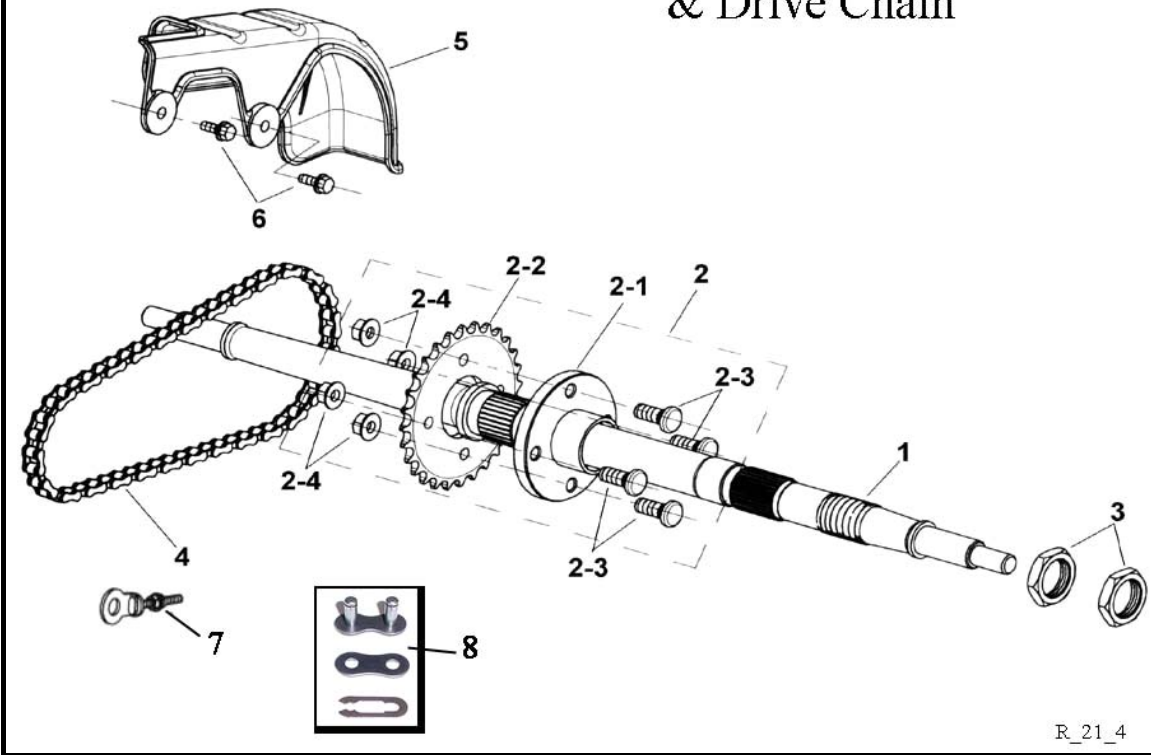


Fig Ref	Item No.	Description	Qty Req
21-1	650550	Rear Axle	1
21-2	650551	Rear Sprocket 520x28T & Holder	1
21-2-1	650422	Rear Sprocket Holder	1
21-2-2	610037	Rear Sprocket (M520x28T)	1
21-2-3	650552	Stud Bolt (M10x25)	4
21-2-4	650255	Locking Flange Nut (M10x19)	4
21-3	650555	Rear Axle Nut (M28x35x8)	2
21-4	650081	Drive Chain (520x70T)	1
21-5	811046	Upper Rear Chain Guard	1
21-6	650294	Flange Bolt (M8 X 16)	2
21-7	650966	Chain Adjuster	1
21-8	810591	Master Link #520	1

22. Swing Arm & Skid Plates

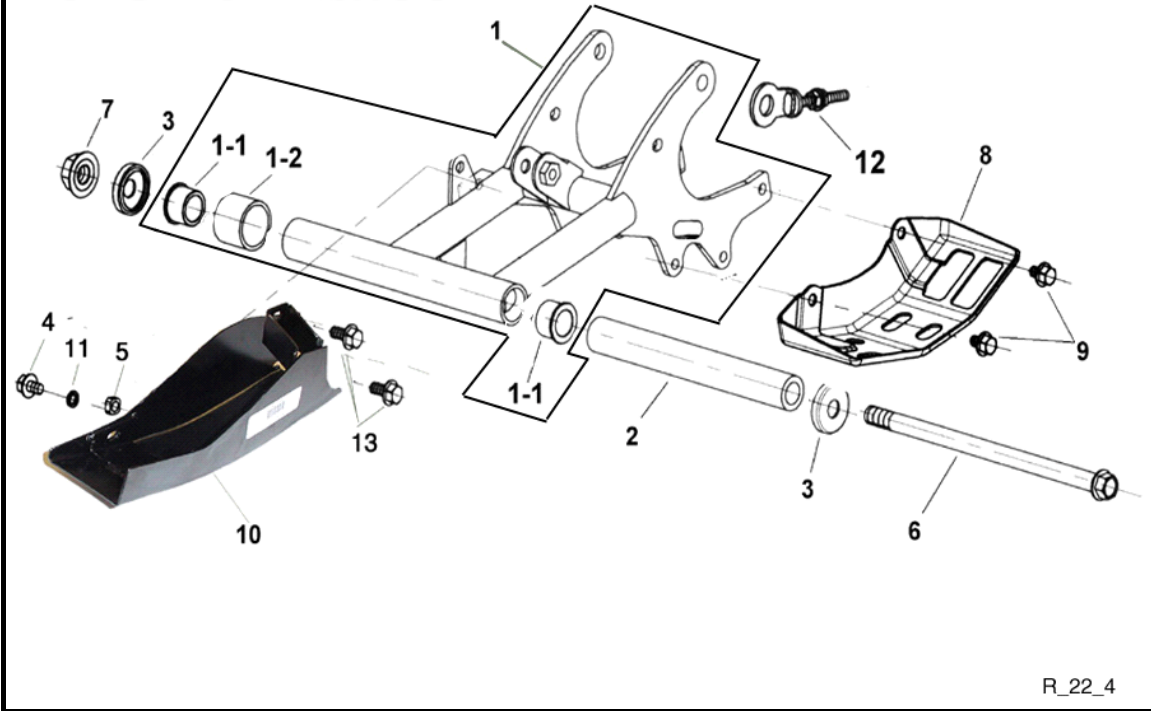
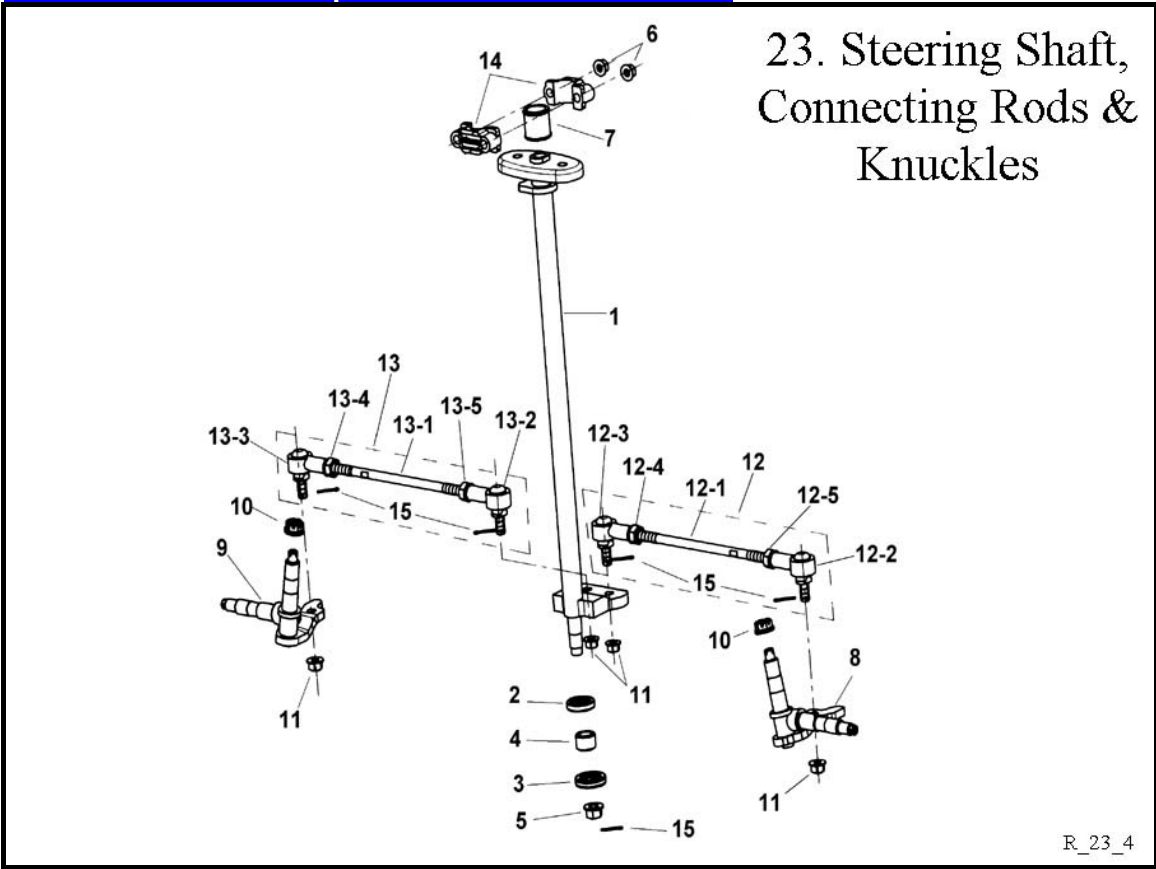


Fig Ref	Item No.	Description	Qty Req
22-1	650011	Swing Arm	1
22-1-1	650273	Oil Containing Bushing (020)	2
22-1-2	650276	Swing Arm Chain Protector	1
22-2	650274	Swing Arm Spacer (20x14.1x254)	1
22-3	650275	Swing Arm Seal Cover (30.8x35.	2
22-4	650417	Flange Bolt (M8x30)	1
22-5	650279	Locking Flange Nut (M8x18)	1
22-6	650277	Swing Arm Set Bolt (M14 X 285)	1
22-7	650278	Locking Flange Nut (M14x25)	1
22-8	811047	Brake Caliper Skid Plate	1
22-9	650402	Flange Bolt (M8 X 12)	2
22-10	650426	Chain Skid Plate	1
22-11	650424	Spring Washer (M8x14x2)	2
22-12	650966	Chain Adjuster	1
22-13	650294	Flange Bolt (M8 X 16)	2

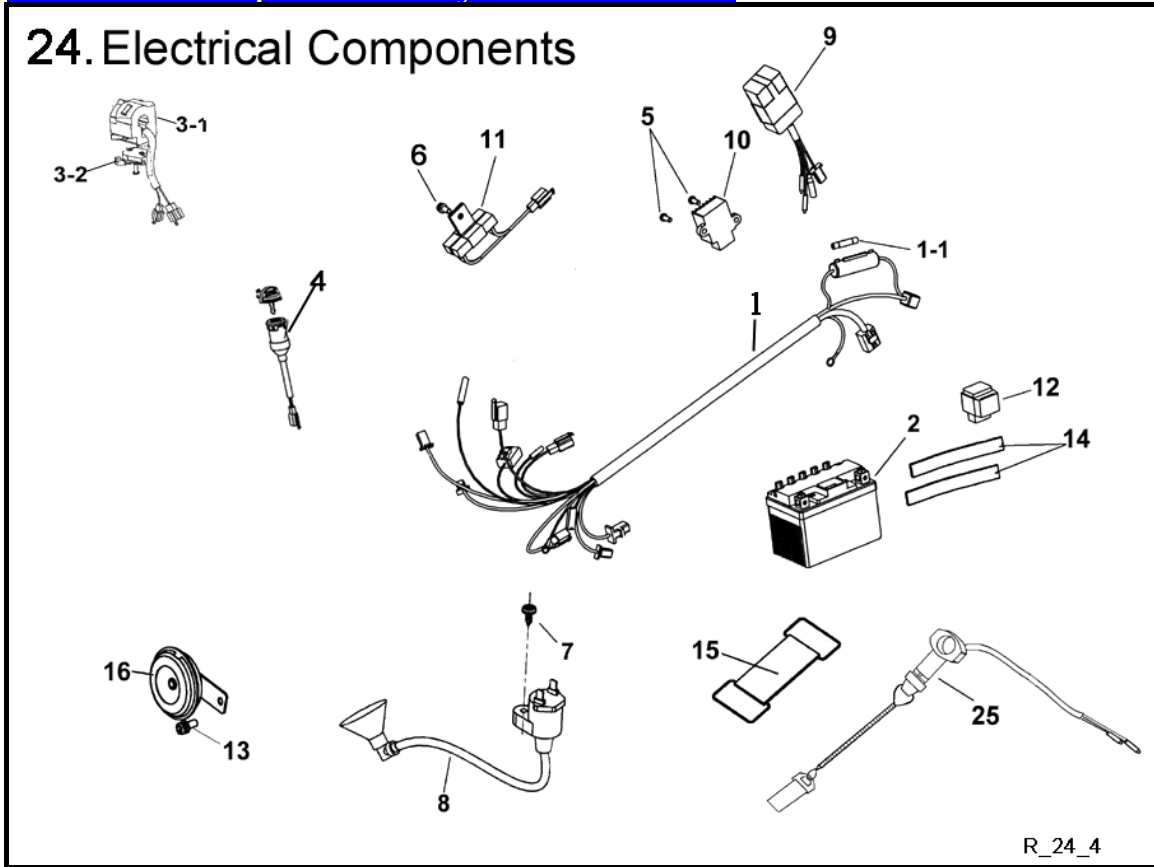


23. Steering Shaft, Connecting Rods & Knuckles

R_23_4

Fig Ref	Item No.	Description	Qty Req
23-1	811058	Steering Shaft	1
23-2	650430	Oil Seal (18x32x7)	1
23-3	650345	Oil Seal (22x35x7)	1
23-4	650346	Inner Spacer (15x21.7X15)	1
23-5	650278	Locking Flange Nut (M14x25)	1
23-6	650279	Locking Flange Nut (M8x18)	2
23-7	650435	PU Bushing Sleeve	1
23-8	700221	Knuckle (LH)	1
23-9	700227	Knuckle (RH)	1
23-10	650438	Locking Flange Nut (M10x20)	2
23-11	650255	Locking Flange Nut (M10x19)	4
23-12	650440	Steering Tie Rod (LH)	1
23-12-1	610048	Stud Bolt (M10x195)	1
23-12-2	610054	Tie Rod End (LH)	1
23-12-3	610056	Tie Rod End (RH)	1
23-12-4	610050	Nut (RH) (M10x16)	1
23-12-5	610051	Nut (LH) (M10x16)	1
23-13	650441	Steering Tie Rod (RH)	1
23-13-1	610048	Stud Bolt (M10x195)	1
23-13-2	610054	Tie Rod End (LH)	1
23-13-3	610056	Tie Rod End (RH)	1
23-13-4	610050	Nut (RH) (M10x16)	1
23-13-5	610051	Nut (LH) (M10x16)	1
23-14	650442	Steering Shaft Clamp	2
23-15	650339	Cotter Pin (1/8 x 1)	5

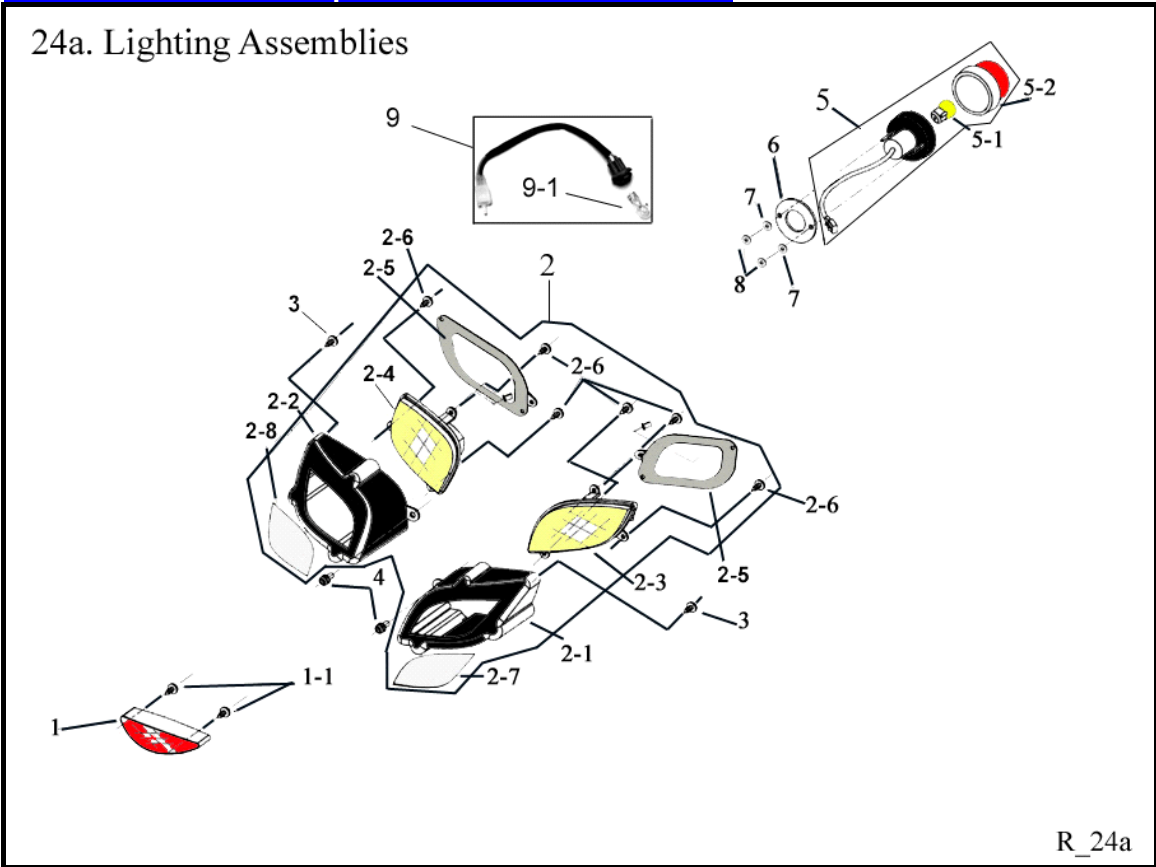
24. Electrical Components



R_24_4

Fig Ref	Item No.	Description	Qty Req
24-1	811113	Wiring Harness (2005 & Up)	1
24-1-1	650565	Fuse (7A)	1
24-2	750173	Battery (WP5L-BS)	1
24-3-1	811038	Handlebar Switch	1
24-3-2	811386	Manual Choke Lever	1
24-4	650720	Ignition Key Switch (4wire)	1
24-5	650332	Pan Head Bolt (M5x16)	2
24-6	650399	Pan Head Bolt & Washer (M6x12)	1
24-7	610116	Bolt & Washer (M5x20)	1
24-8	610189	Ignition Coil	1
24-9	811114	C.D.I. Module (Stepper Pod)	1
24-10	650457	Rectifier	1
24-11	650458	Resistor	1
24-12	650459	Starter Relay	1
24-13	650946	Pan Head Bolt (M6x12)	1
24-14	650723	Foam Pad	2
24-15	651005	Battery Strap	1
24-16	610159	Horn	1
24-25	811154	Safety Tether Switch-2005 & Up	1

24a. Lighting Assemblies



R_24a

Fig Ref	Item No.	Description	Qty Req
24a-1	610033	LED Assembly	1
24a-1-1	610194	Self-Tapping Screw (M4x13)	2
24a-2	610170	Head Light Set (LH & RH)	1
24a-2-1	610034	Head Light Cover (LH)	1
24a-2-2	610035	Head Light Cover (RH)	1
24a-2-3	610028	Head Light Lens (LH)	1
24a-2-4	610030	Head Light Lens (RH)	1
24a-2-5	610029	Head Light Gasket	2
24a-2-6	610194	Self-Tapping Screw (M4x13)	6
24a-2-7	610191	Head Light Decal (LH)	1
24a-2-8	610192	Head Light Decal (RH)	1
24a-3	650729	Self Tapping Screw (M4x16)	2
24a-4	650454	Pan Head Bolt & Washer (M6x20)	2
24a-5	610038	Tail Light	2
24a-5-1	610031	Tail Light Bulb (12Vx21/5w)	2
24a-5-2	811037	Tail Light Lens	2
24a-6	610032	Tail Light Gasket	2
24a-7	750337	Flat Washer (M5x10x1)	4
24a-8	700344	Lock Washer (M5x9x1)	4
24a-9	812463	Head Light Wiring Harness Kit	2
24a-9-1	610025	Head Light Bulb (12v/10w)	2

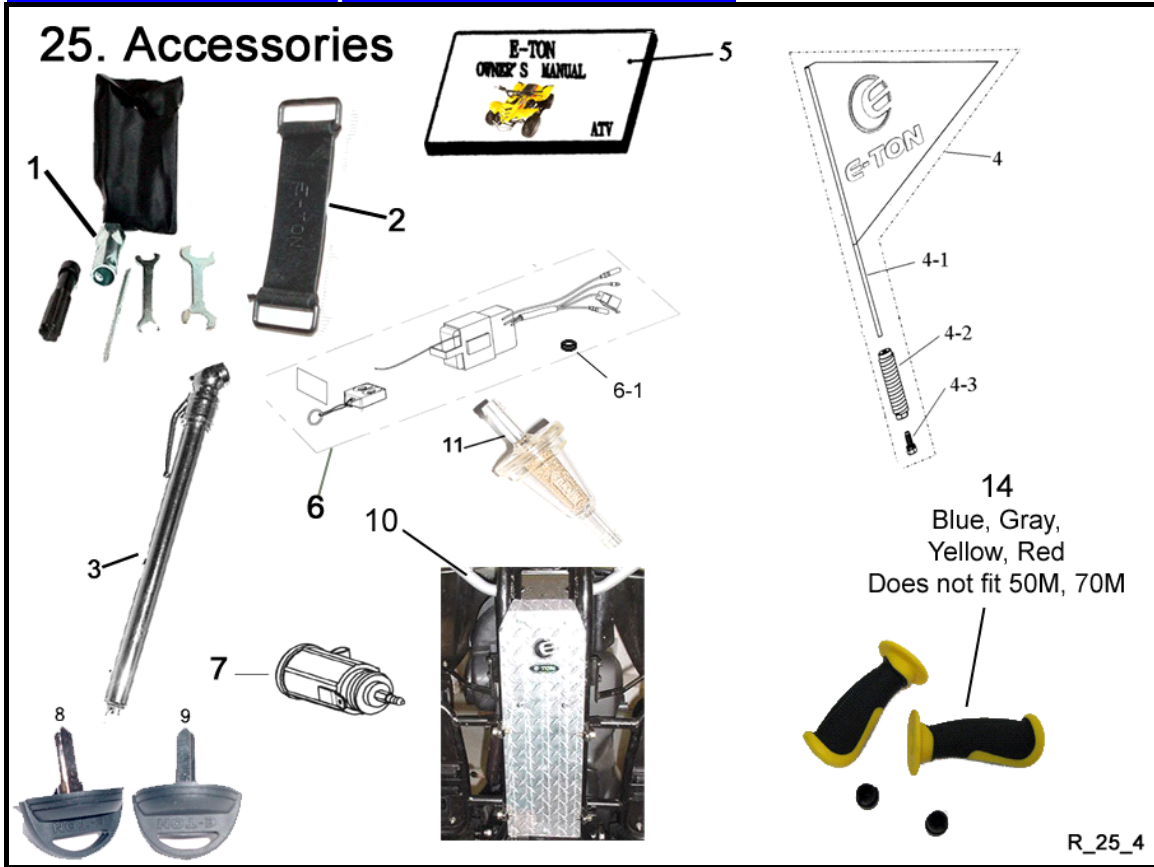


Fig Ref	Item No.	Description	Qty Req
25-1	650728	Tool Kit	1
25-2	650727	Tool Kit Retainer Strap	1
25-3	800529	Tire Pressure Gage	1
25-4	811072	E-TON Safety Flag (Complete)	1
25-4-1	811070	Flag & Mast	1
25-4-2	811071	Flag Holder Base	1
25-4-3	811077	Bolt & Washer (M8x16)	1
25-5	610110	Viper Owner's Manual	1
25-6	811163	Remote Control Rcv/Trnmtr	1
25-6-1	814117	Key Fob Battery	1
25-7	811162	Auxiliary Power Outlet	1
25-8	610009	Blank Key (Left Cut)	1
25-9	810009	Blank Key (RH Cut)	1
25-10	990010	Chassis Plate (RXL 50M-90R)	1
25-11	990017	¼ X 3 ClrStone Fuel Filter	1
25-14	813783	Handlebar Grip Set (Blk/Blue)	1
25-14	813784	Handlebar Grip Set (Blk/Gray)	1
25-14	813785	Handlebar Grip Set (Blk/Ylw)	1
25-14	813786	Handlebar Grip Set (Blk/Red)	1
NP	200030	Viper 70 Parts Manual	1
NP	200036	Viper Service Manual (2 Cycle)	1
NP	200109	Viper 70 Digital Reference CD	1



ETON America Kits & Accessories

Viper 70



**Graphics Kit
2005 Front
Red**

**Part No.
811186**



**Graphics Kit
2005 Rear
Red**

**Part No.
610912**



**Graphics Kit
2005 Front
Yellow**

**Part No.
811185**



**Graphics Kit
2005 Rear
Yellow**

**Part No.
610913**

Viper 70

*Wide Open!
Full Throttle!
Quality Time!*

ETON America, LLC.
7092 Howard Street
Unit - F
Spartanburg, SC 29303

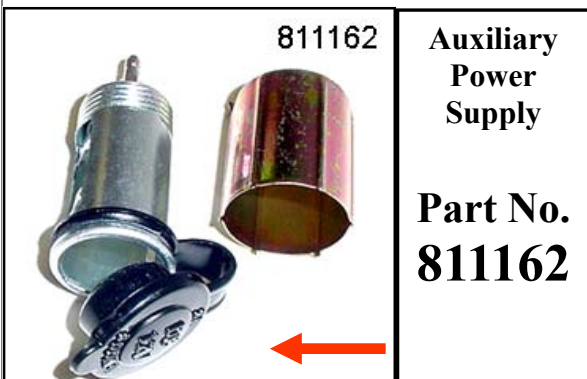
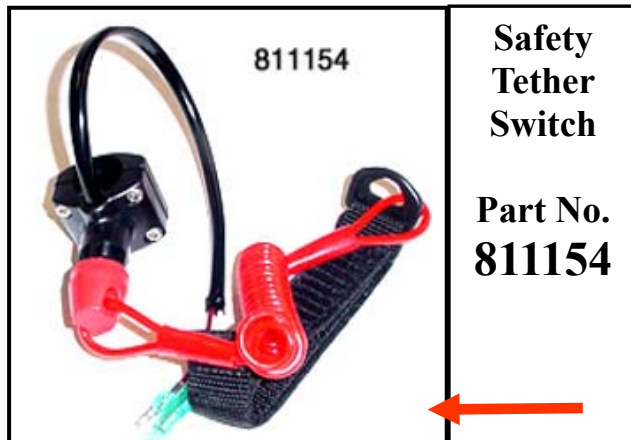
Phone: 864-278-9585
Fax: 864-278-9590
E-mail: parts@etonamerica.com



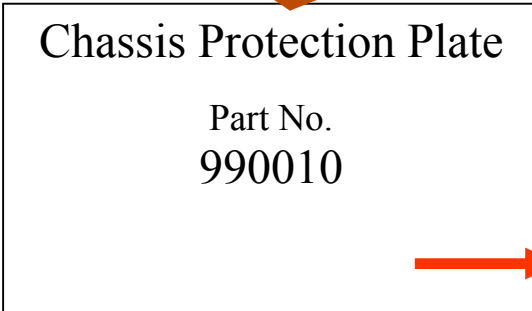


ETON America Kits & Accessories

Viper 70



New



*Wide Open!
Full Throttle!
Quality Time!*

Viper 70

ETON America, LLC.
7092 Howard Street
Unit - F
Spartanburg, SC 29303

Phone: 864-278-9585
Fax: 864-278-9590
E-mail: parts@etonamerica.com



