



# **ETON America**

## PARTS CATALOG

### **Viper 90 Silver Series**

Parts and drawing are subject to change without notice. ETON America reserves the right to substitute parts that have engineering changes that can alter the appearance of the part but performs the same function as the original parts. ETON America can not be held liable for errors or typographical errors in this publication.

# Table of Contents

## Viper 90 Silver Series

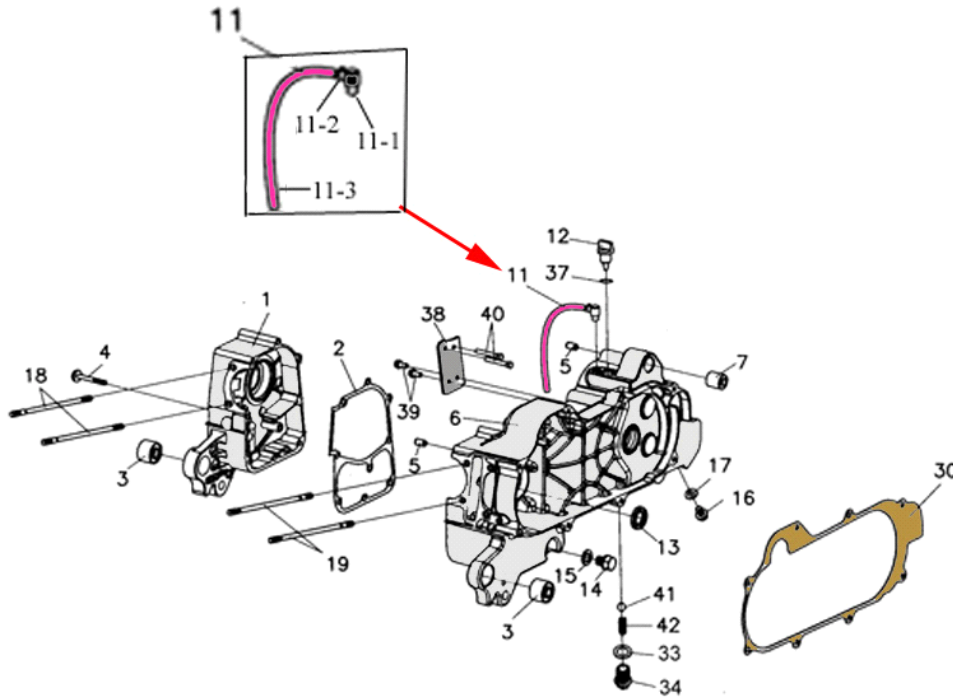


### Figure No. Content Reference

---

01a	Crankcase
01b	C.V.T. Cover and Kick Starter Assembly
02	Cylinder Head and Valve Cover
03	Cylinder, Piston and Crankshaft
04	Crankcase Cover RH
05	Carburetor
06	C.V.T. Drive Assembly
07	Starter Motor and Oil Pump
08	A/C Generator and Fan Shroud
09	Transmission
10	Air Filter Assembly
12	Engine
13	Exhaust System
14	Frame
15	Bumper, Footrest, A-Arms and Grab Bar
16f	Front Body Cover, Graphics and Footrest Covers
16r	Rear Body Cover, Graphics and Seat
18	Fuel Tank, Filter and Lines
19	Suspension System
20	Front and Rear Wheels and Tires
22	Front Brake System
23	Rear Hydraulic Brake System
24	Handlebar, Levers and Brake Lines
25	Rear Drive Axle Assembly
26	Swing Arms and Skid Plates
27	Steering System
28	Electrical Systems
29	Accessories

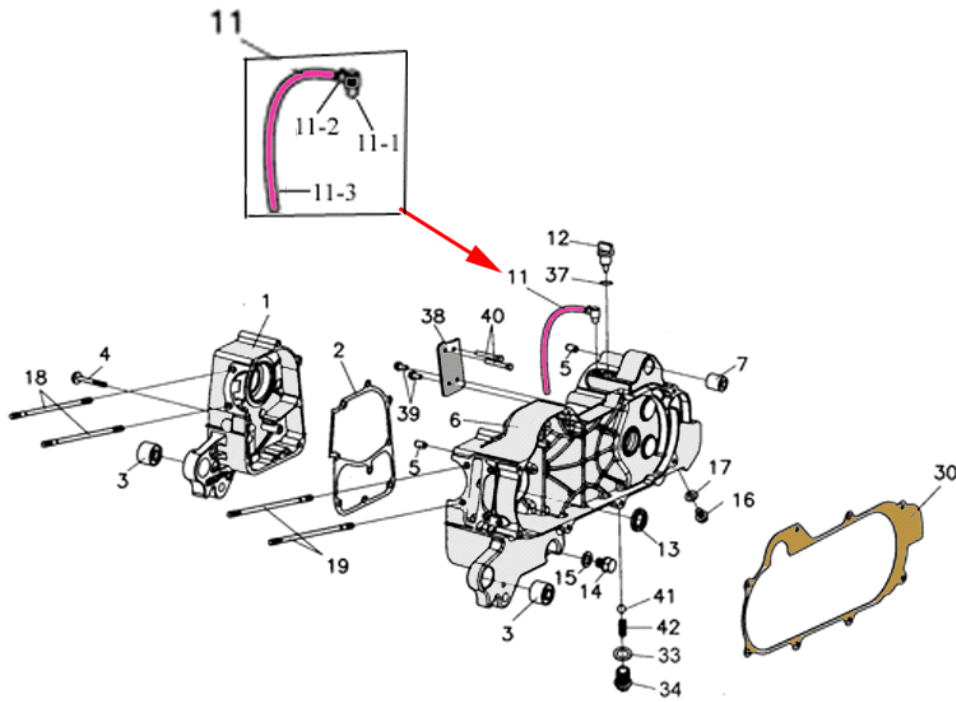
## 01a. Crankcase



R90R\_06\_01a

Fig Ref	Item No.	Description	Qty Req
1a-1	812267	Crankcase (RH)	1
1a-2	811575	Crankcase Gasket	1
1a-3	811574	Engine Mount Bushing	2
1a-4	811772	Flange Bolt SH (M6x45)	1
1a-5	800109	Dowel Pin (8x14)	2
1a-6	813452	Crankcase (LH)	1
1a-7	811577	Rear Shock Absorber Bushing	1
1a-11	812352	Breather Hose	1
1a-11-1	650991	Breather Joint	1
1a-11-2	811767	Tube Clip	1
1a-11-3	812303	Breather Tube	1
1a-12	650165	Oil Filler Plug	1
1a-13	812811	Oil Seal (LH) [19.8x30x5R]	1
1a-14	800491	Flange Bolt (M12x15)	1
1a-15	800121	Flat Washer (M12x20x2)	1
1a-16	700406	Flange Bolt SH (M8x12)	1
1a-17	700289	Flat Washer (M8x14x1.5)	1
1a-18	811749	Stud Bolt (M7x180)	2
1a-19	811750	Stud Bolt (M7x185)	2
1a-30	811584	Crankcase Cover Gasket (LH)	1
1a-33	800124	Flat Washer (M14x21x1)	1
1a-34	800123	Flange Bolt (M14x20)	1
1a-37	650166	Oil Filler Plug O-Ring (13.8x2)	1
1a-38	811622	Air Cleaner Bracket	1
1a-39	800141	Flange Bolt SH (M6x12)	2
1a-40	700324	Flange Bolt SH (M6x28)	2

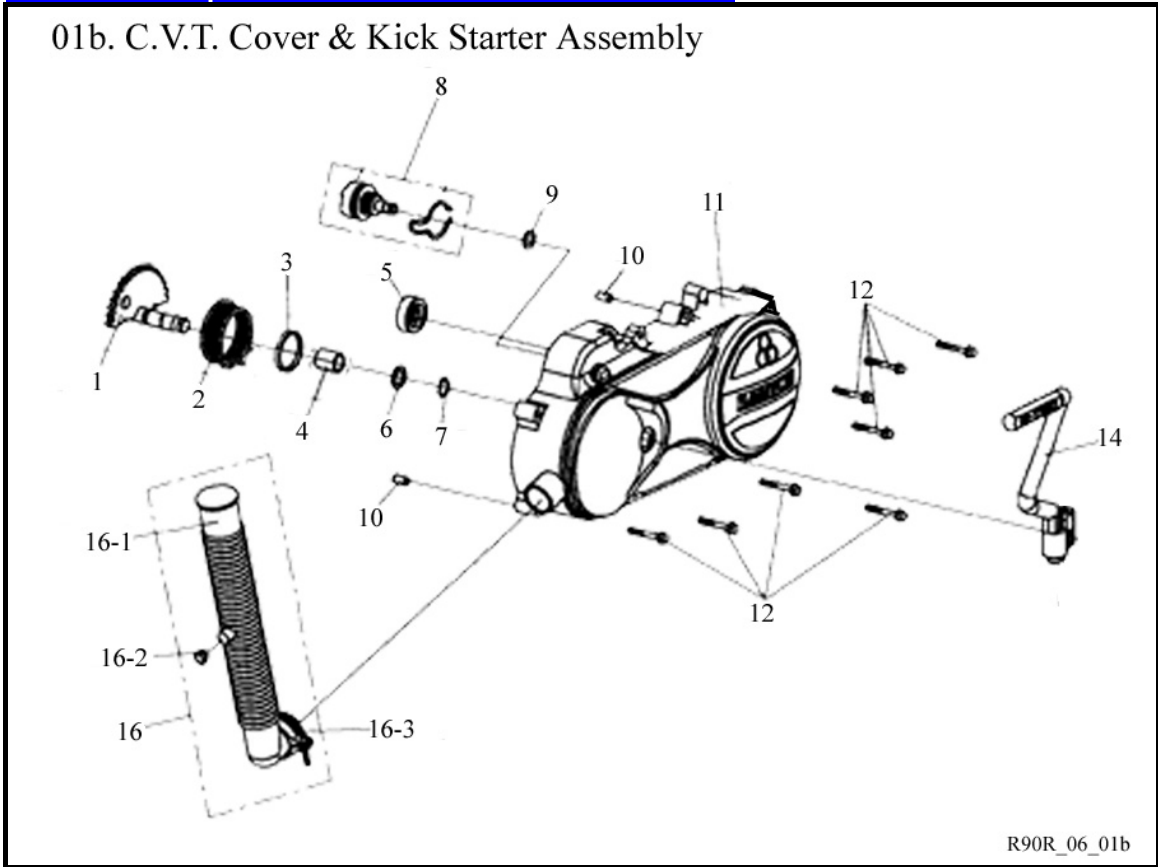
## 01a. Crankcase



R90R\_06\_01a

Fig Ref	Item No.	Description	Qty Req
1a-41	800126	Ball Bearing	1
1a-42	800125	Fixed Catch Spring	1

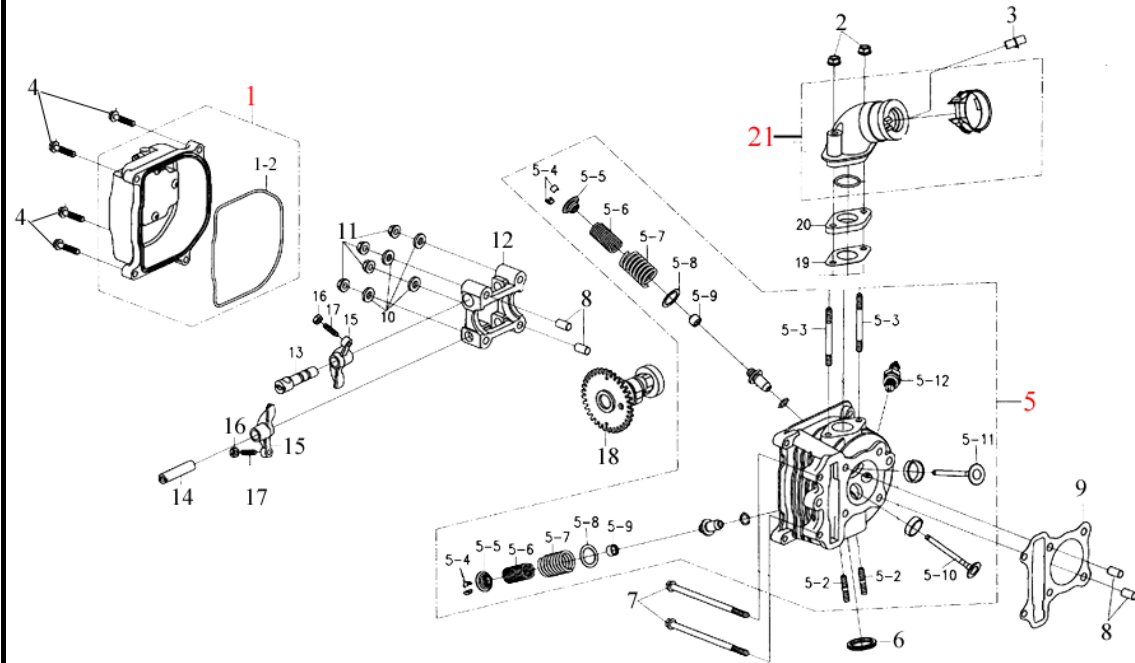
## 01b. C.V.T. Cover & Kick Starter Assembly



R90R\_06\_01b

Fig Ref	Item No.	Description	Qty Req
1b-1	800535	Kick Starter Spindle	1
1b-2	800536	Kick Starter Torsion Spring	1
1b-3	811673	Spacer	1
1b-4	811672	Kick Starter Spindle Bushing	1
1b-5	650203	Radial Ball Bearing (638Z)	1
1b-6	800143	Flat Washer (M15x20x2)	1
1b-7	800144	Circle-Clip (14mm)	1
1b-8	800145	Starter Idler Gear	1
1b-9	810240	Flat Washer (M11x18x1)	1
1b-10	800109	Dowel Pin (8x14)	2
1b-11	811579	C.V.T. Cover (LH)	1
1b-12	700327	Flange Bolt SH (M6x35)	8
1b-14	610136	Kick Starter Crank	1
1b-16	811580	C.V.T. Cooling Duct Assembly	1
1b-16-1	811581	C.V.T. Cooling Duct	1
1b-16-2	811582	Duct Plug	1
1b-16-3	811621	Air Duct Clamp	1

## 02. Cylinder Head & Cover



R90R\_06\_02

Fig Ref	Item No.	Description	Qty Req
2-1	811590	Rocker Arm Cover	1
2-1-2	811591	Rocker Arm Cover Gasket	1
2-2	650065	Nut (M6x11)	2
2-3	651011	Intake Cap	1
2-4	800488	Flange Bolt SH (M6x25)	4
2-5	811587	Cylinder Head	1
2-5-2	810241	Stub Bolt No:003 (M6x27)	2
2-5-3	800202	Stud Bolt (M6x50)	2
2-5-4	800205	Valve Spring Retainer	4
2-5-5	800206	Valve Spring Retainer Washer	2
2-5-6	811609	Inner Valve Spring	2
2-5-7	811608	Outer Valve Spring	2
2-5-8	800209	Outer-Valve Spring Seat	2
2-5-9	800210	Valve Stem Seal	2
2-5-10	811607	Exhaust Valve	1
2-5-11	811606	Intake Valve	1
2-5-12	811777	Spark Plug CR7HSA	1
2-6	811634	Exhaust Muffer Gasket	1
2-7	700326	Flange Bolt SH (M6x100)	2
2-8	800109	Dowel Pin (8x14)	4
2-9	811589	Cylinder Head Gasket	1
2-10	811760	Flat Washer (M16x28x2)	4
2-11	811757	Flange Nut (M7x11)	4
2-12	811588	Cam Shaft Holder	1
2-13	811599	Rocker Arm Shaft - Internal	1
2-14	811600	Rocker Arm Shaft (External)	1

## 02. Cylinder Head & Cover

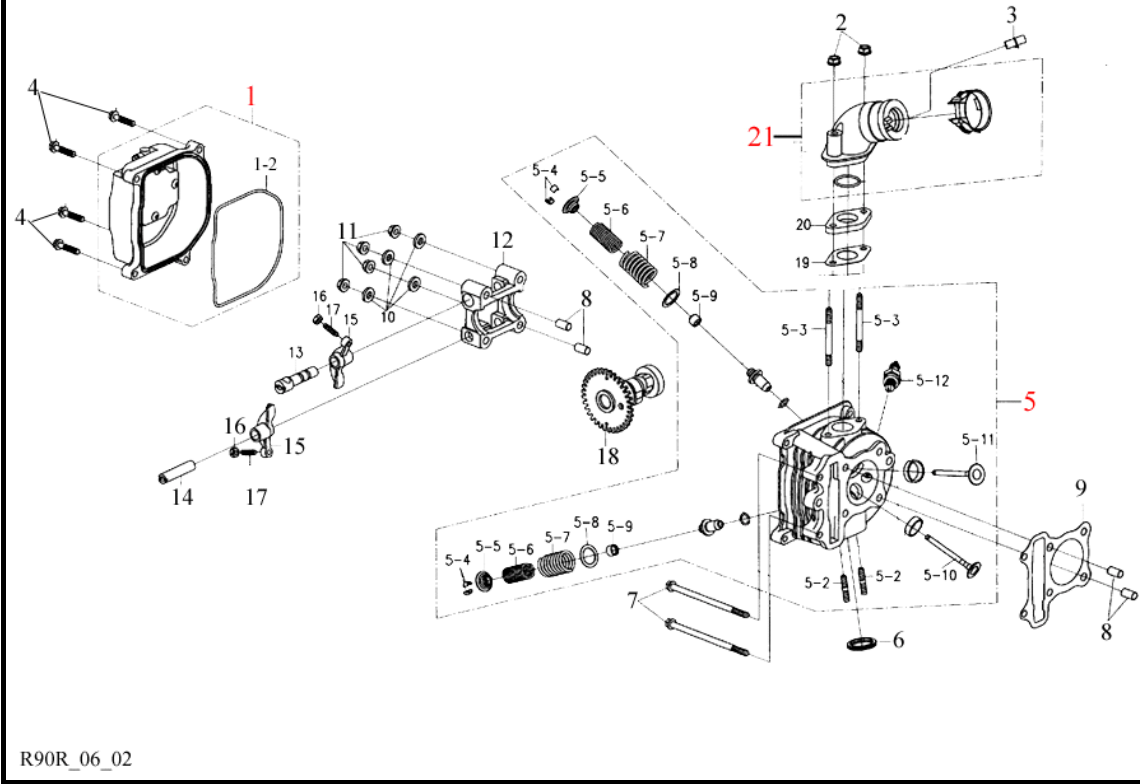
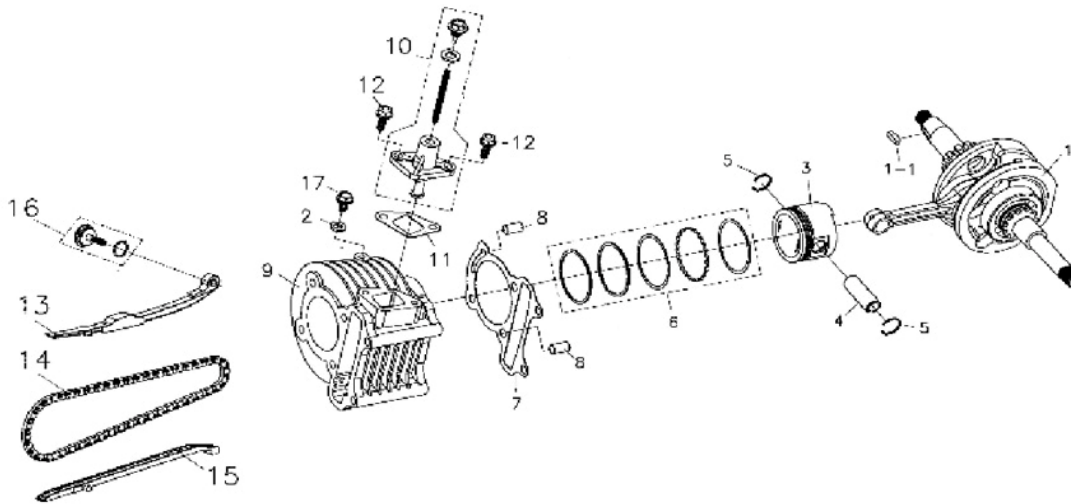


Fig Ref	Item No.	Description	Qty Req
2-15	811598	Valve Rocker Arm	2
2-16	800212	Nut (M4.5x8x4)	2
2-17	800481	Tappet Adjusting Screw	2
2-18	811596	Cam Shaft	1
2-19	811616	Carburetor Insulator Gasket	1
2-20	811617	Carburetor Insulator	1
2-21	811618	Intake Manifold	1

## 03. Cylinder, Piston & Crankshaft

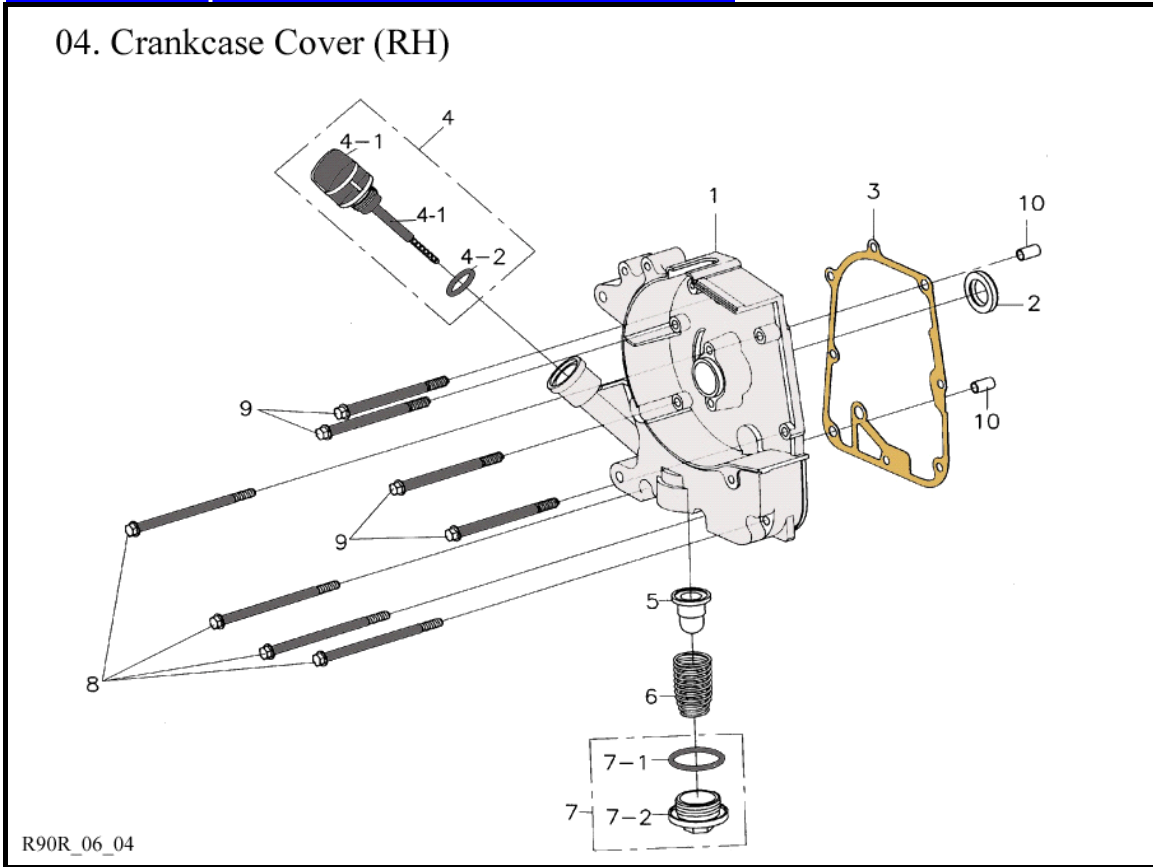


R90R\_06\_03

Fig Ref	Item No.	Description	Qty Req
3-1	811592	Crankshaft 90CC 4-Stroke	1
3-1-1	800148	Wood-Ruff Key (M25x14x4)	1
3-2	800159	Flat Washer (M6x10x1)	1
3-3	811594	Piston 70-90CC 4-Stroke	1
3-4	811595	Piston Wrist Pin	1
3-5	811765	Piston Pin Circle Clip (2)	1
3-6	811593	Piston Ring Set	1
3-7	811586	Cylinder Base Gasket	1
3-8	800109	Dowel Pin (8x14)	2
3-9	811585	Cylinder 90CC 4-Stroke	1
3-10	811603	Cam Adjuster	1
3-11	811604	Cam Chain Adjuster Gasket	1
3-12	811771	Flange Bolt SH (M6x16)	2
3-13	811601	Cam Chain Guide Upper	1
3-14	811597	Cam Chain	1
3-15	811605	Cam Chain Guide Lower	1
3-16	811602	Cam Chain Pivot	1
3-17	811770	Flange Bolt SH (M6x12)	1

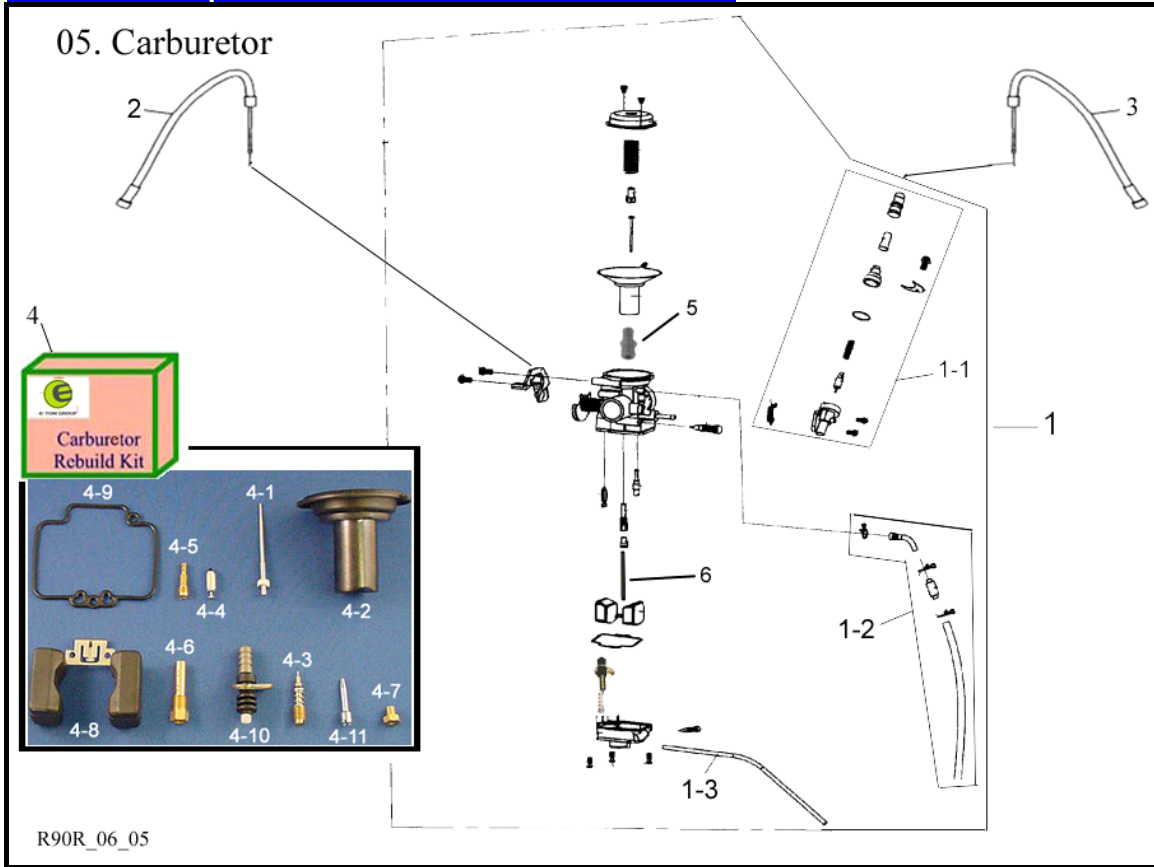


## 04. Crankcase Cover (RH)



R90R\_06\_04

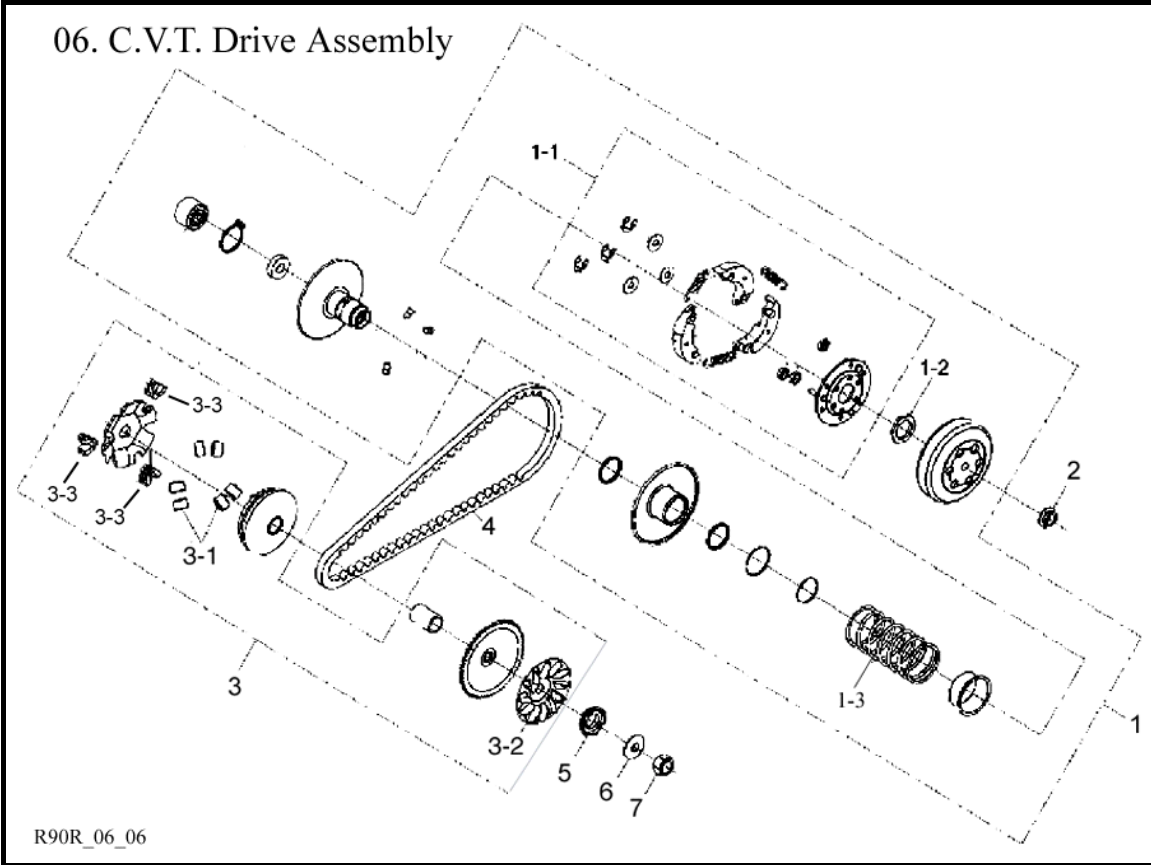
Fig Ref	Item No.	Description	Qty Req
4-1	811578	Crankcase Cover (RH)	1
4-2	812862	Oil Seal (RH) [19.8x30x5L]	1
4-3	811583	Crankcase Cover Gasket (RH)	1
4-4	800180	Oil Level Gauge & O-Ring	1
4-4-1	811476	Oil Level Gauge	1
4-4-2	811477	O-Ring Seal (18x3.5)	1
4-5	800182	Oil Filter Screen	1
4-6	800183	Oil Filter Screen Spring	1
4-7	800184	Crankcase Drain Plug & O-Ring	1
4-7-1	811479	O-Ring Seal	1
4-7-2	811478	Crankcase Drain Plug	1
4-8	700326	Flange Bolt SH (M6x100)	4
4-9	811773	Flange Bolt SH (M6x85)	4
4-10	800109	Dowel Pin (8x14)	2



R90R\_06\_05

Fig Ref	Item No.	Description	Qty Req
5-1	811613	Carburetor (Manual Choke 90CC)	1
5-1-1	812372	Manual Choke 70M/70/90R	1
5-1-2	812327	Breather Tube Assy.	1
5-1-3	812328	Drain Tube	1
5-2	811632	Throttle Cable	1
5-3	811633	Manual Choke Cable	1
5-4	812316	Carburetor Rebuild Kit	1
5-5	814494	Slide Guide (70/90cc)	1
5-6	814495	Float Pin (70/90cc)	1
5-4-1	812315	Carburetor Slide Needle #4T10	1
5-4-2	812313	Carburetor Slide	1
5-4-3	812326	Air Adjustment Screw	1
5-4-4	812306	Carburetor Float Needle	1
5-4-5	812308	Pilot Jet #32	1
5-4-6	812311	Main Jet Atomizer	1
5-4-7	812312	Main Jet #100	1
5-4-8	812307	Carburetor Float	1
5-4-9	812309	Carburetor Bowl Gasket	1
5-4-10	812314	Accelerator Pump	1
5-4-11	812310	Bowl Drain Bolt	1
05-NP	811311	Main Jet #95	1
05-NP	812790	Pilot Jet #35	1
05-NP	812791	Pilot Jet #37	1
05-NP	812792	Pilot Jet #39	1

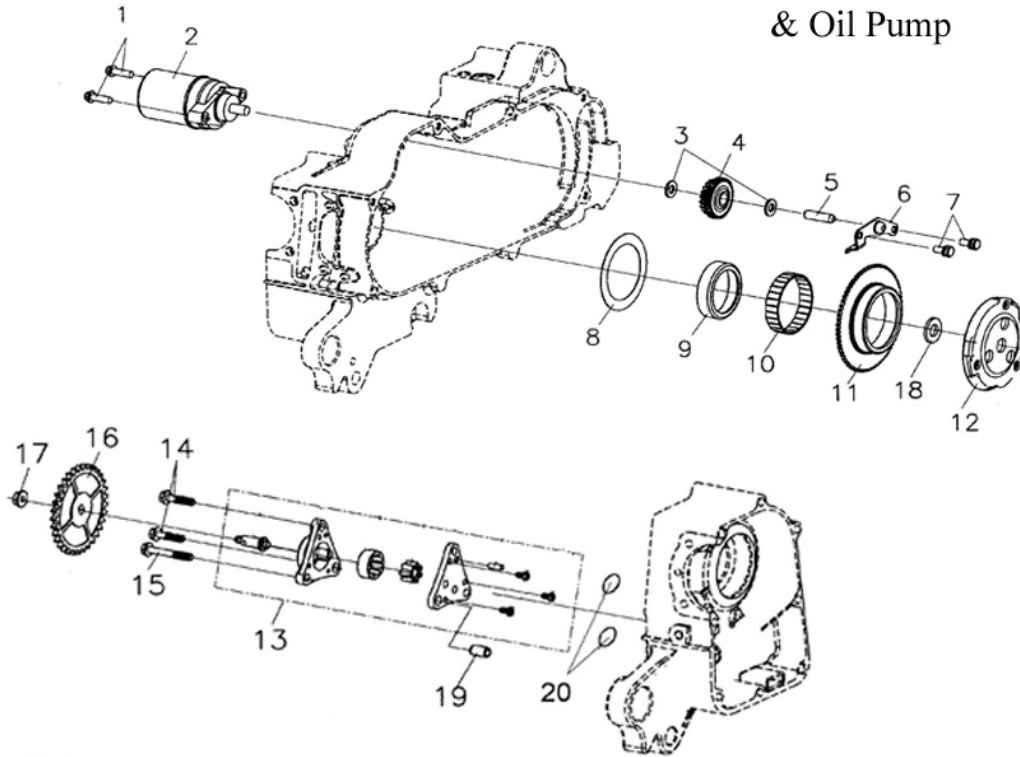
## 06. C.V.T. Drive Assembly



R90R\_06\_06

Fig Ref	Item No.	Description	Qty Req
6-1	811656	Driven Pulley	1
6-1-1	811655	Drive Clutch Assembly	1
6-1-2	812242	Nut (M28x32x1)	1
6-2	811758	Flange Nut (M10x18)	1
6-3	811653	Drive Face Assembly	1
6-3-1	811654	Clutch Rollers 8g (Set 6)	1
6-3-2	811652	Drive Face Fan	1
6-3-3	812470	Slide Retainer Clips (Set 3)	1
6-4	811657	Drive Belt (669x18x30)	1
6-5	811671	Kick Starter Ratchet	1
6-6	811761	Flat Washer (M15x24x1)	1
6-7	650510	Flange Nut (M12x22)	1

## 07. Starter Motor & Clutch & Oil Pump



R90R\_06\_07

Fig Ref	Item No.	Description	Qty Req
7-1	650143	Flange Bolt (M6x20)	2
7-2	812354	Starter Motor	1
7-3	650184	Flat Washer (M7x15x1)	2
7-4	650495	Starter Motor Reduction Gear	1
7-5	650658	Idle Gear Shaft	1
7-6	650185	Reduction Gear Retainer Plate	1
7-7	610201	Pan Head Bolt & Washer (M6x14)	2
7-8	650180	Flat Washer (M56x75x1)	1
7-9	650179	Boss Gear	1
7-10	650178	Needle Bearing	1
7-11	810533	Starter Wheel	1
7-12	812353	Starter Clutch	1
7-13	811611	Oil Pump (4-Stroke)	1
7-14	650143	Flange Bolt (M6x20)	2
7-15	800488	Flange Bolt SH (M6x25)	1
7-16	811612	Oil Pump Drive Socket	1
7-17	650065	Nut (M6x11)	1
7-18	811762	Flat Washer (M17x28x3)	1
7-19	800109	Dowel Pin (8x14)	1
7-20	812302	O-Ring	2

## 08. A/C Generator & Fan Shroud

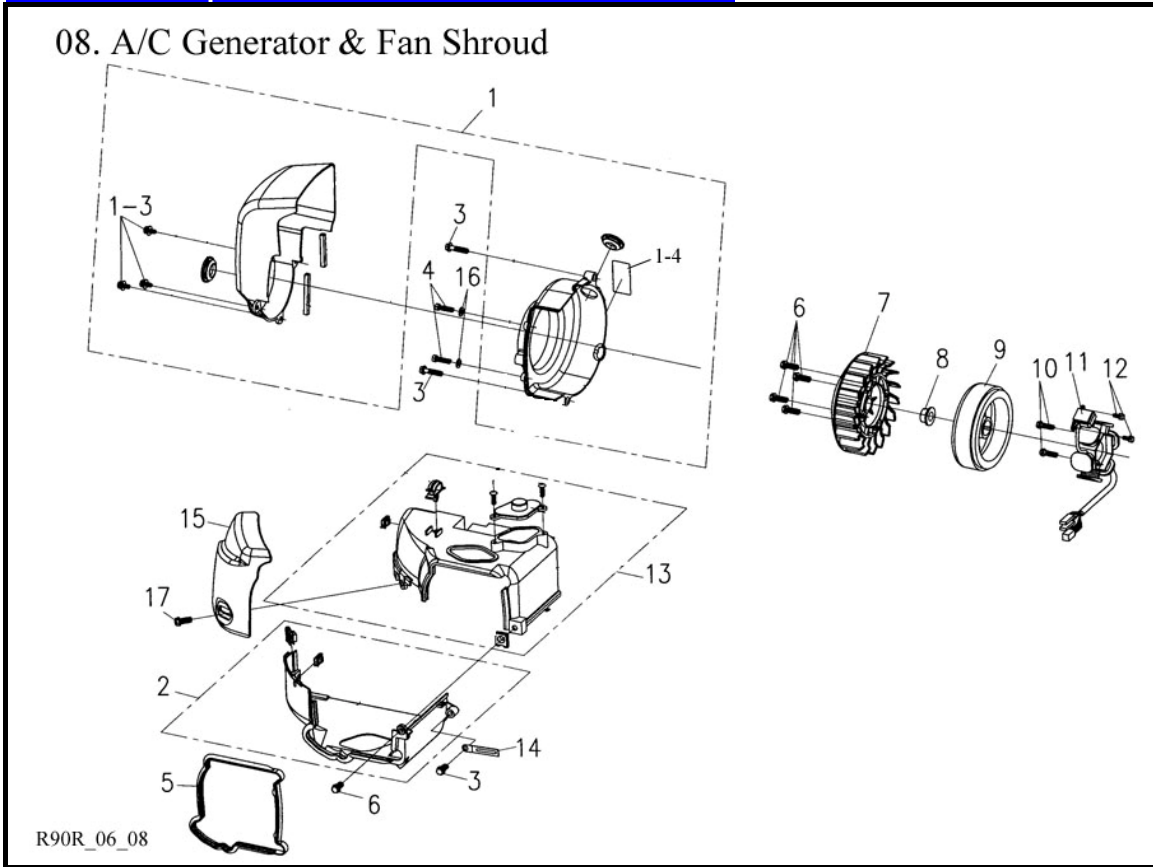
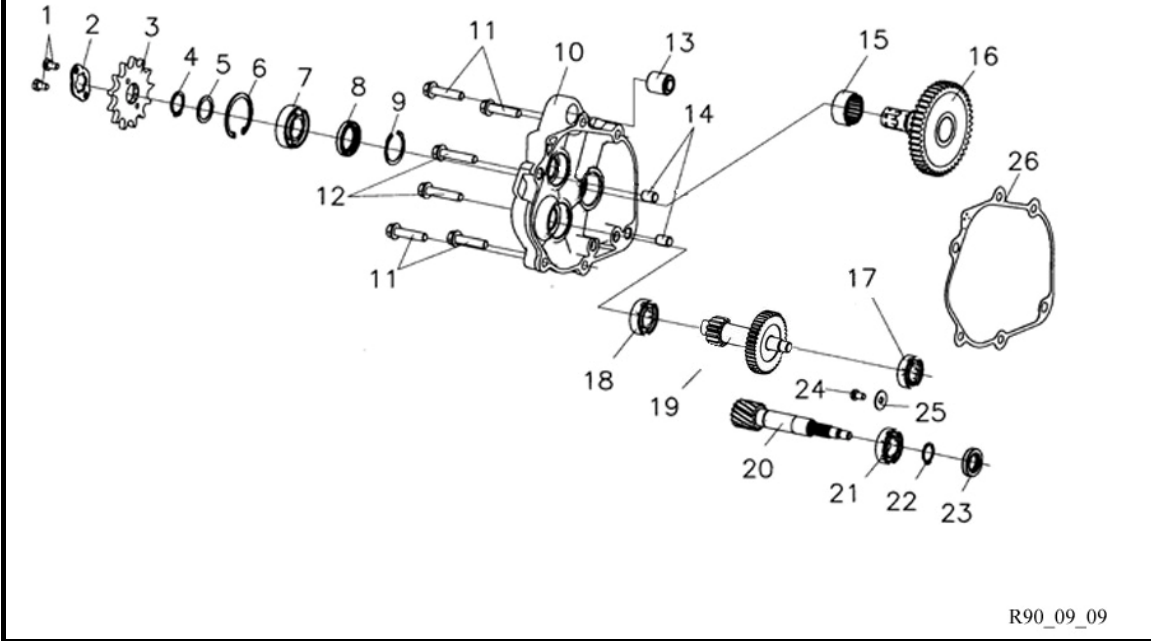


Fig Ref	Item No.	Description	Qty Req
8-1	811643	Fan Cover Assembly	1
8-1-3	810005	Fan Cover Plug (B)	1
8-1-4	811746	Oil Cap Label	1
8-2	811644	Lower Shroud	1
8-3	800488	Flange Bolt SH (M6x25)	3
8-4	800221	Pan Head Bolt (M5x25)	2
8-5	811646	Shroud Seal	1
8-6	800119	Flange Bolt SH (M6x18)	4
8-7	811641	Cooling Fan	1
8-8	650510	Flange Nut (M12x22)	1
8-9	811675	Flywheel	1
8-10	650143	Flange Bolt (M6x20)	2
8-11	811676	AC Generator	1
8-12	800194	Bolt & Washer (M5x14)	2
8-13	811645	Upper Shroud	1
8-14	800241	Carburetor Drain Tube Clamp	1
8-15	812264	Fan Shroud Side Cover	1
8-16	812191	Washer (M5x15x1)	2
8-17	800339	Flange Bolt SH (M6x25)	1

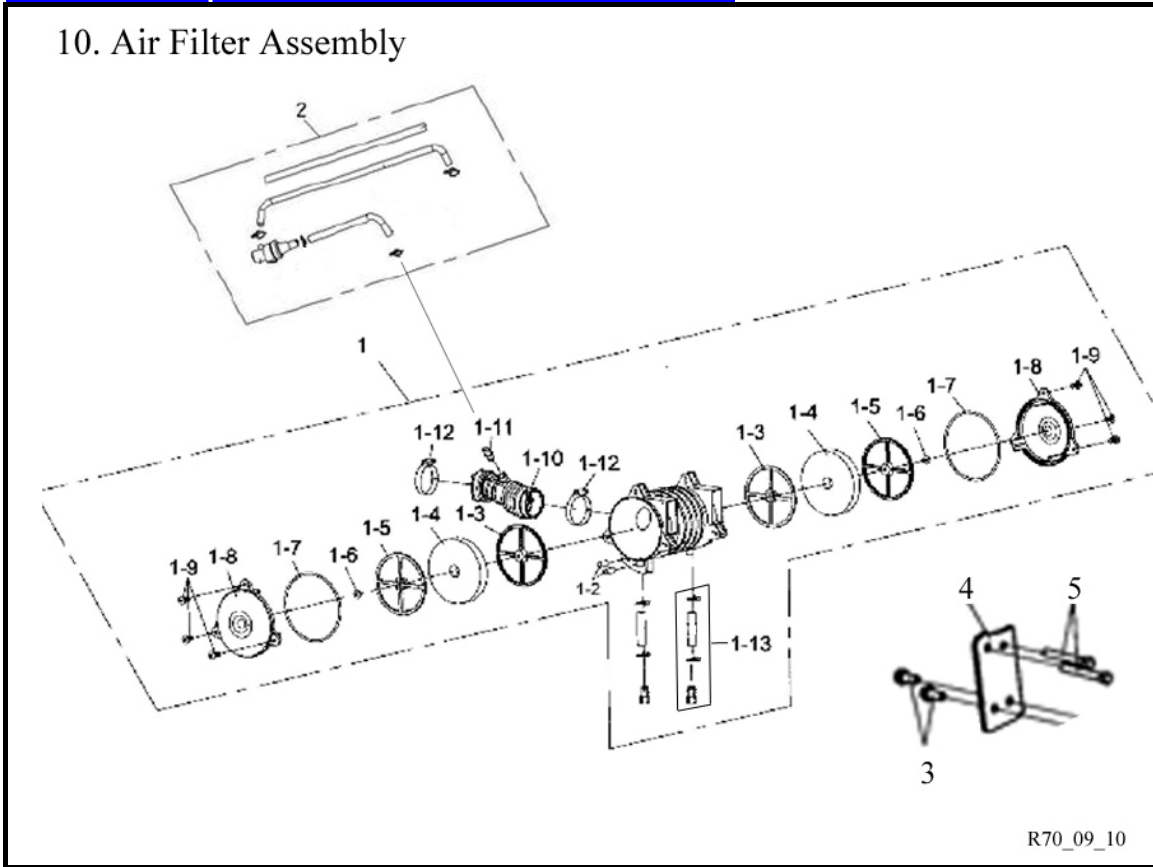
## 09. Transmission



R90\_09\_09

Fig Ref	Item No.	Description	Qty Req
9-1	650226	Bolt (M6x10)	2
9-2	650225	Sprocket Plate	1
9-3	811662	Drive Sprocket (520x13T)	1
9-4	650223	Circle-Clip #20	1
9-5	650222	Flat Washer (M20x25x1)	1
9-6	650220	Circle-Clip (45.5x17.5)	1
9-7	650218	Bearing (6004LUA)	1
9-8	650219	Oil Seal (25x35x6)	1
9-9	650221	Circle-Clip (34.4x1.2)	1
9-10	811650	Transmission Cover	1
9-11	811768	Flange Bolt SH (M8x35)	4
9-12	811769	Flange Bolt (M8x40)	2
9-13	811577	Rear Shock Absorber Bushing	1
9-14	650158	Dowel Pin (M10x14)	2
9-15	650217	Needle Bearing	1
9-16	813453	Final Shaft	1
9-17	650213	Radial Ball Bearing (6201)	1
9-18	750388	Radial Ball Bearing (6202)	1
9-19	813454	Counter Shaft	1
9-20	813455	Drive Shaft	1
9-21	650199	Radial Ball Bearing (6003)	1
9-22	650198	Circle-Clip	1
9-23	650200	Oil Seal (17x28x5.5)	1
9-24	650197	Pan Head Bolt (M6x10)	1
9-25	811082	Flat Washer (M5x18x1)	1
9-26	811651	Transmission Cover Gasket	1

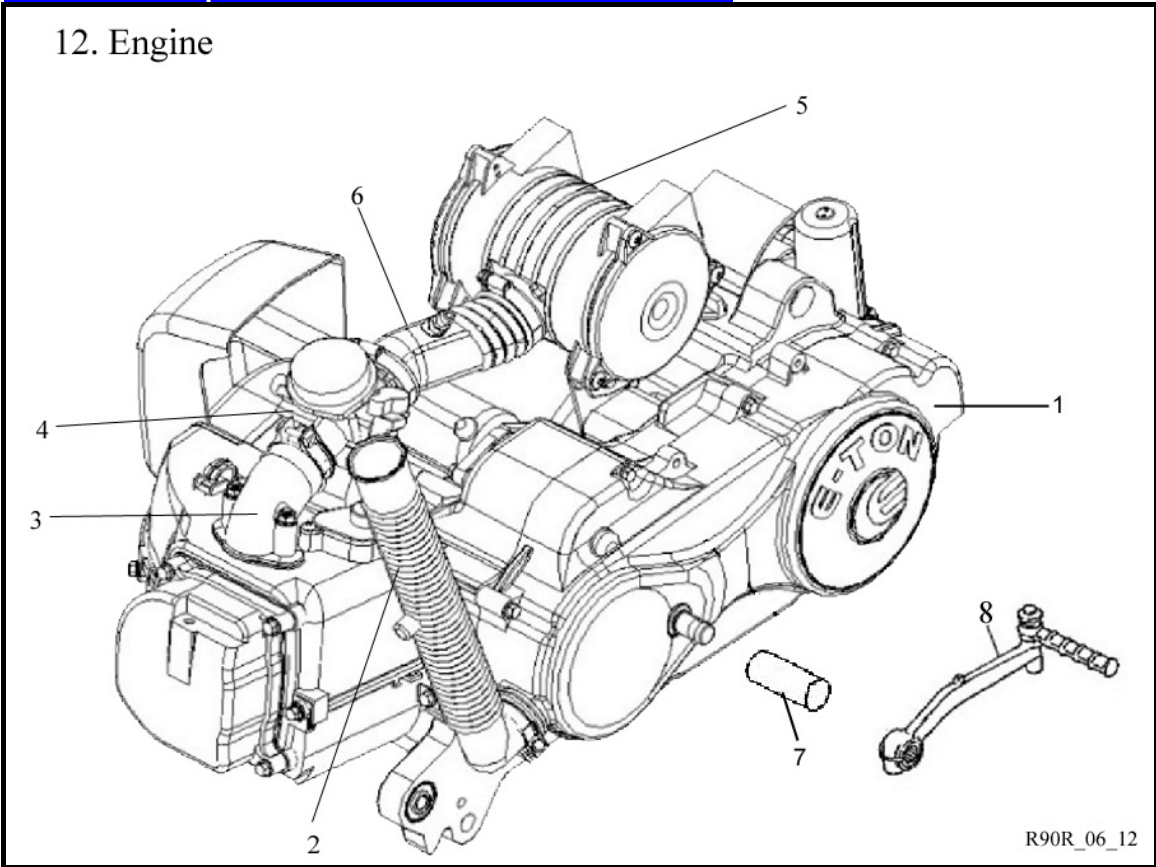
## 10. Air Filter Assembly



R70\_09\_10

Fig Ref	Item No.	Description	Qty Req
10-1	811620	Air Cleaner Assembly	1
10-1-2	812280	Air Filter Outer Guide	2
10-1-3	812279	Air Filter Inner Guide Screen	2
10-1-4	811619	Air Filter Element	2
10-1-5	812280	Air Filter Outer Guide	2
10-1-6	811756	Self Tapping Screw (M5x15)	2
10-1-7	811766	O-Ring	2
10-1-8	812281	Air Cleaner Cover	2
10-1-9	811755	Self Tapping Screw (M5x20)	6
10-1-10	811642	Air Cleaner Connector Tube	1
10-1-11	811610	Plug Insert	1
10-1-12	812369	Air Inlet Tube Clamp	2
10-1-13	650979	Drain Tube	2
10-2	813451	Fuel Waste Recovery System	1
10-3	800141	Flange Bolt SH (M6x12)	2
10-4	811622	Air Cleaner Bracket	1
10-5	700324	Flange Bolt SH (M6x28)	2

12. Engine

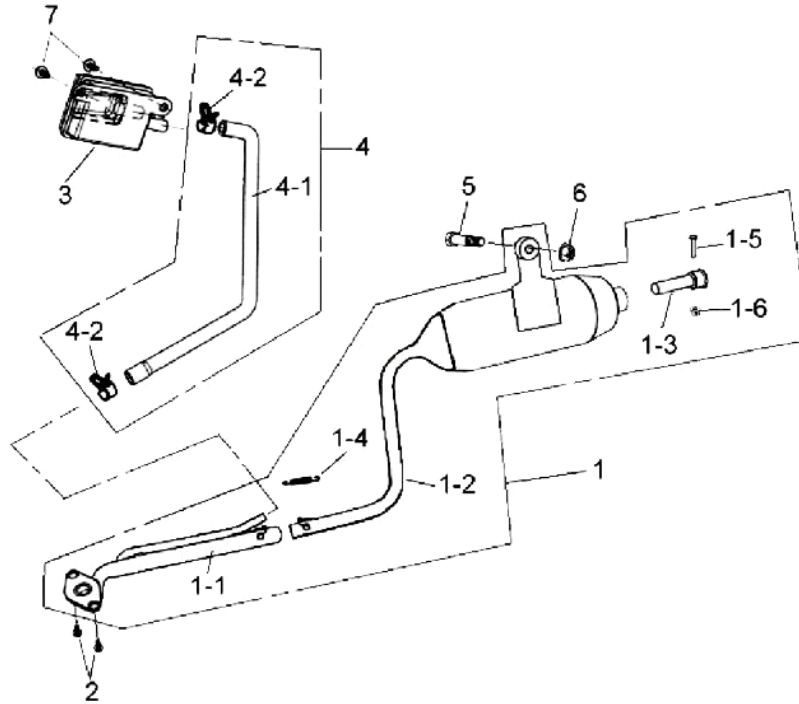


R90R\_06\_12

Fig Ref	Item No.	Description	Qty Req
12-1	813386	Engine 90cc (4-Stroke)	1
12-2	811580	C.V.T. Cooling Duct Assembly	1
12-3	811618	Intake Manifold	1
12-4	811613	Carburetor (Manual Choke 90CC)	1
12-5	811620	Air Cleaner Assembly	1
12-6	811642	Air Cleaner Connector Tube	1
12-7	651007	Kick Starter Shaft Rubber Cap	1
12-8	610136	Kick Starter Crank	1



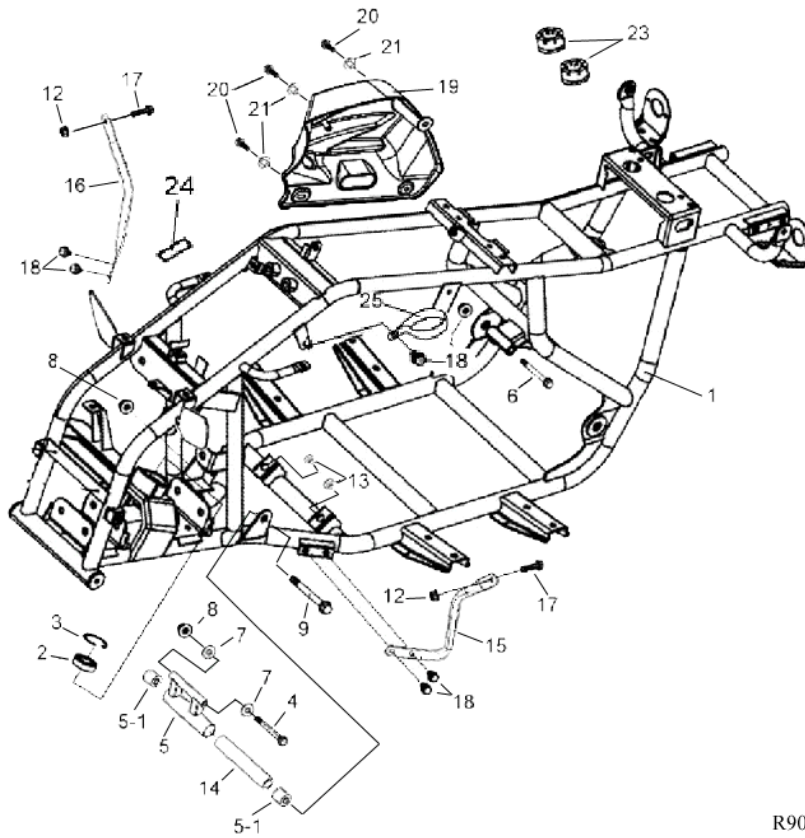
## 13. Exhaust System



R90R\_06\_13

Fig Ref	Item No.	Description	Qty Req
13-1	813385	Exhaust Muffler	1
13-1-1	813459	Exhaust Muffler Pipe (Front)	1
13-1-2	813460	Exhaust Muffler Pipe (Rear)	1
13-1-3	811462	Spark Arrestor Screen	1
13-1-4	811637	Spring	1
13-1-5	811638	Allen Head Bolt (M5x45)	1
13-1-6	811639	Lock Nut (M5x7)	1
13-2	800498	Nut (M611X16)	2
13-3	811624	Emission Control Valve	1
13-4	811625	Connecting Tube Assembly	1
13-4-1	811626	Connecting Tube	1
13-4-2	811627	Tube Clip	2
13-5	650256	Flange Bolt (M8 X 36)	1
13-6	650279	Locking Flange Nut (M8x18)	1
13-7	750393	Self-Tapping Screw (M5x15)	2

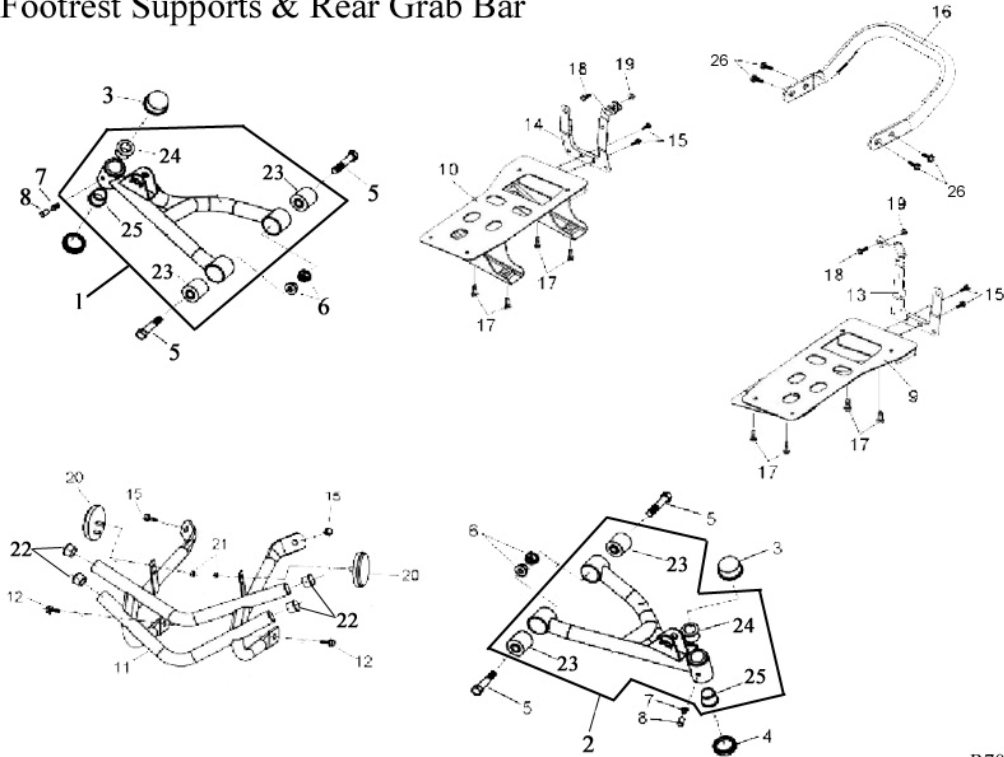
## 14. Frame



R90R\_06\_14

Fig Ref	Item No.	Description	Qty Req
14-1	813406	Frame	1
14-2	650967	Bearing (6002ZC3)	1
14-3	650248	Circle-Clip	1
14-4	811754	Flange Bolt (M10x170)	1
14-5	811715	Engine Suspension Bracket	1
14-5-1	650253	Bushing	2
14-6	650254	Engine Set Bolt (M10 X 115)	1
14-7	650265	Flat Washer (M11x28x1)	2
14-8	700320	Locking Flange Nut (M10)	3
14-9	811753	Flange Bolt (M10x165)	1
14-12	800504	Locking Flange Nut (M6x11)	2
14-13	650874	Rubber Bushing	2
14-14	811716	Spacer	1
14-15	813403	Front Fender Bracket (LH)	1
14-16	813404	Front Fender Bracket (RH)	1
14-17	650307	Pan Head Bolt (M6 x 23)	2
14-18	650271	Flange Bolt (M6 X 12)	5
14-19	811688	Drive Chain Cover	1
14-20	650295	Flange Bolt (M6x16)	3
14-21	811737	Collar	3
14-23	650250	Rubber Damper (37 X 13 X 23)	2
14-24	812404	Emission Control Label	1
14-25	812403	CVT Inlet Hose Clamp	1

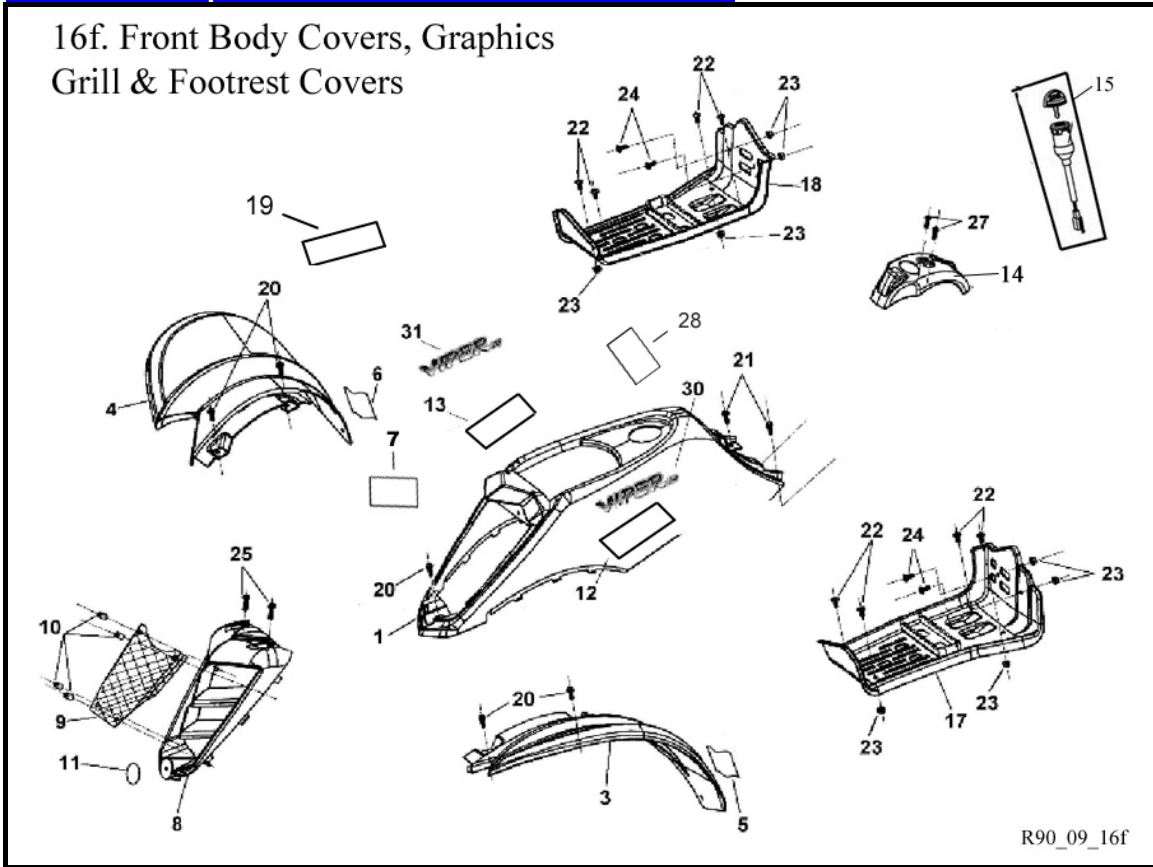
## 15 A-Arms, Front Bumper, Footrest Supports & Rear Grab Bar



R70\_06\_15

Fig Ref	Item No.	Description	Qty Req
15-1	610047	A-Arm (RH) Silver	1
15-2	610046	A-Arm (LH) Silver	1
15-3	650285	Dust Cover	2
15-4	650286	Dust Seal	2
15-5	650287	Flange Bolt (M10x48)	4
15-6	650255	Locking Flange Nut (M10x19)	4
15-7	650289	Grease Zerk	2
15-8	650290	Grease Zerk Cap	2
15-9	811719	Footrest Support (LH)	1
15-10	811722	Footrest Support (RH)	1
15-11	610058	Front Bumper Bar (Silver)	1
15-12	650294	Flange Bolt (M8 X 16)	2
15-13	811720	Footrest Bar Support (LH)	1
15-14	811721	Footrest Bar Support (RH)	1
15-15	650271	Flange Bolt (M6 X 12)	6
15-16	812290	Rear Grab Bar	1
15-17	800352	Bolt & Washer (M8x20)	8
15-18	650307	Pan Head Bolt (M6 x 23)	2
15-19	800504	Locking Flange Nut (M6x11)	2
15-20	750182	Circle Reflector (Amber)	2
15-21	812291	Nut (M6x10)	2
15-22	610066	Rubber Plug	4
15-23	650253	Bushing	4
15-24	650282	Oil Containing Bushing (015.5)	2
15-25	650283	Oil Containing Bushing (17)	2
15-26	650402	Flange Bolt (M8 X 12)	4

## 16f. Front Body Covers, Graphics Grill & Footrest Covers



R90\_09\_16f

Fig Ref	Item No.	Description	Qty Req
16f-1	610087	Front Body Cover (Blue)	1
16f-1	813425	Front Body Cover (Pink)	1
16f-1	610300	Front Body Cover (Black)	1
16f-1	610086	Front Body Cover (Red)	1
16f-3	813415	Front Fender Panel (LH-Blue)	1
16f-3	813413	Front Fender Panel (LH-Pink)	1
16f-3	813412	Front Fender Panel (LH-Black)	1
16f-3	813414	Front Fender Panel (LH-Red)	1
16f-4	813419	Front Fender Panel (RH-Blue)	1
16f-4	813417	Front Fender Panel (RH-Pink)	1
16f-4	813416	Front Fender Panel (RH-Black)	1
16f-4	813418	Front Fender Panel (RH-Red)	1
16f-5	813438	Operator Warning Label	1
16f-6	813456	Warning Label (Y-12)	1
16f-7	650306	MFD Label	1
16f-8	813423	Front Grill Panel (Blue)	1
16f-8	813422	Front Grill Panel (Red)	1
16f-8	813420	Front Grill Panel (Silver)	1
16f-8	813421	Front Grill Panel (Pink)	1
16f-9	813424	Front Grill Screen	1
16f-10	610062	Grill Screen Fastener	4
16f-11	750270	E-TON Logo Emblem (Silver)	1
16f-12	813432	V'09 Front Graphic (LH)	1
16f-13	813433	V'09 Front Graphic (RH)	1
16f-14	811062	Handlebar Cover (Blue)	1
16f-14	811059	Handlebar Cover (Black)	1

## 16f. Front Body Covers, Graphics Grill & Footrest Covers

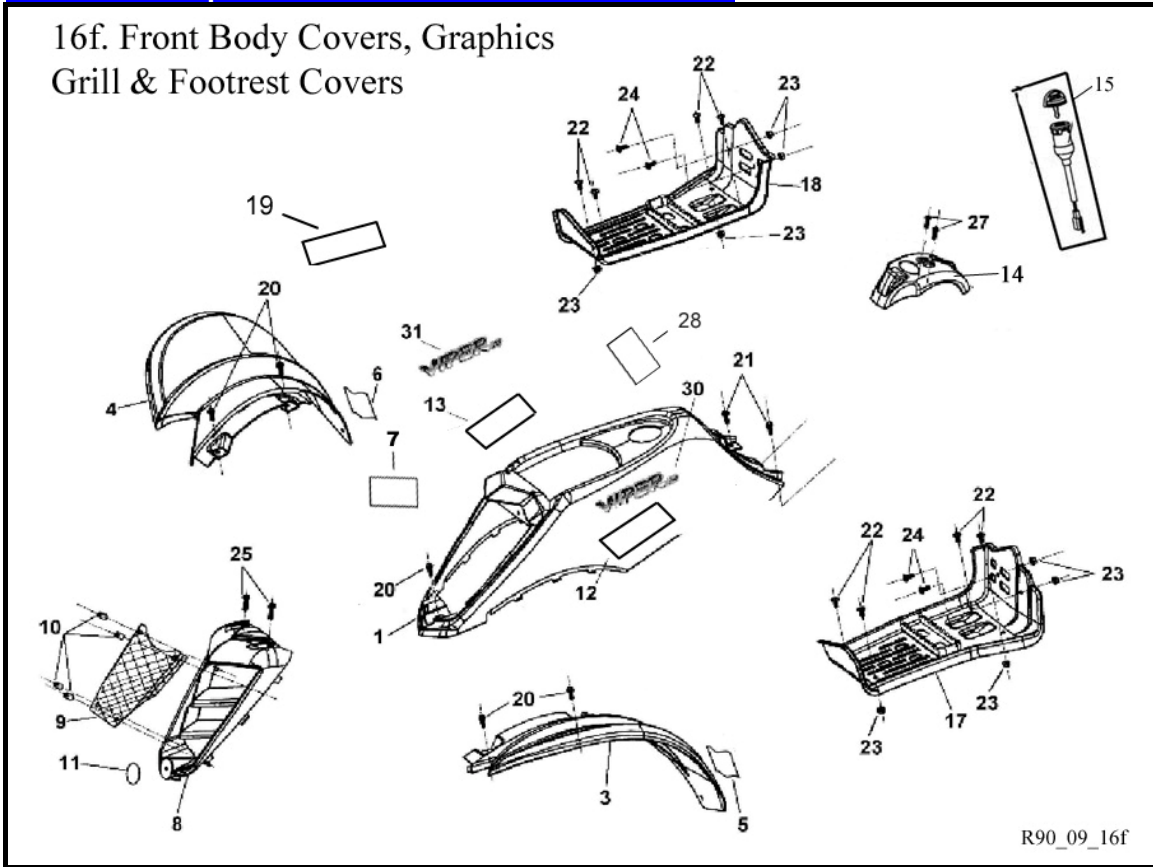
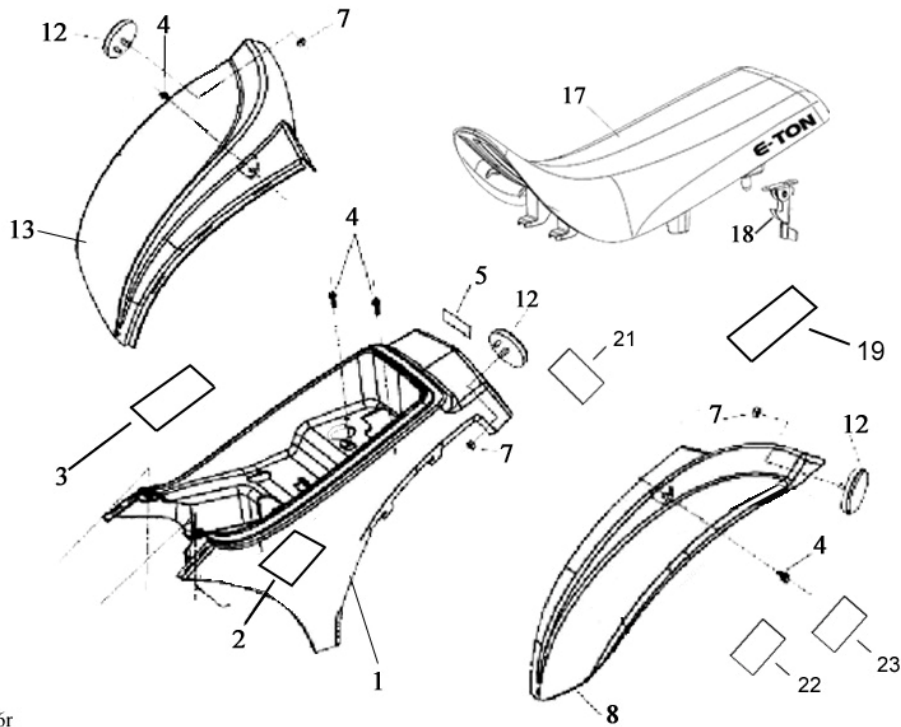


Fig Ref	Item No.	Description	Qty Req
16f-14	811061	Handlebar Cover (Red)	1
16f-15	650720	Ignition Key Switch (4wire)	1
16f-17	610096	Foot Rest Cover/Guard (LH)	1
16f-18	610097	Foot Rest Cover/Guard (RH)	1
16f-19	813434	Front Fender Graphic (RH)	1
16f-20	813443	Bolt & Washer (M6x12)	5
16f-21	610118	Pan Head Bolt (M6x20)	8
16f-22	800504	Locking Flange Nut (M6x11)	8
16f-23	650943	Button Head Bolt (M6x18)	4
16f-24	800374	Plastic Fastener	2
16f-26	650311	Pan Head Bolt (M6x12)	2
16f-28	811744	Gear Indicator Sticker	1
16f-30	610175	Viper 90 Graphic	1
16f-31	610175	Viper 90 Graphic	1

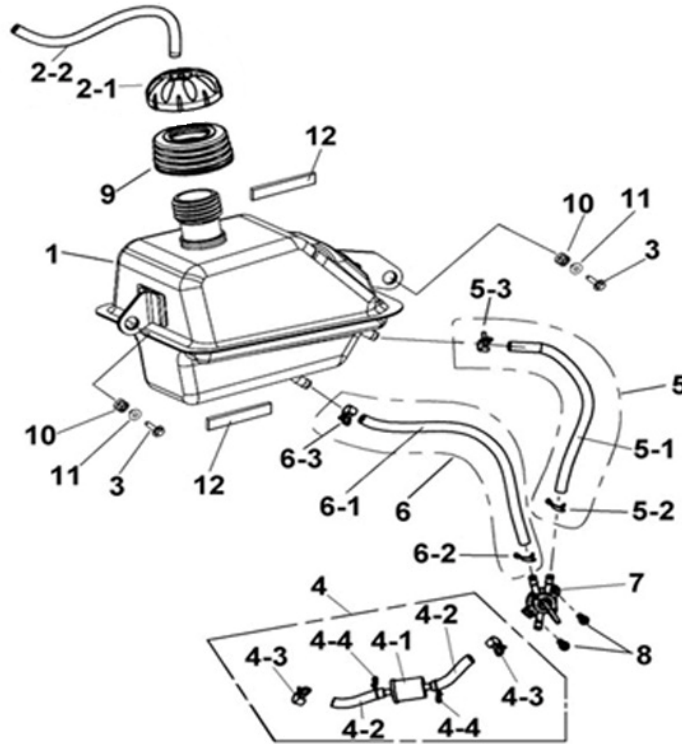
## 16r. Rear Body Covers, Graphics & Seat



R90\_09\_16r

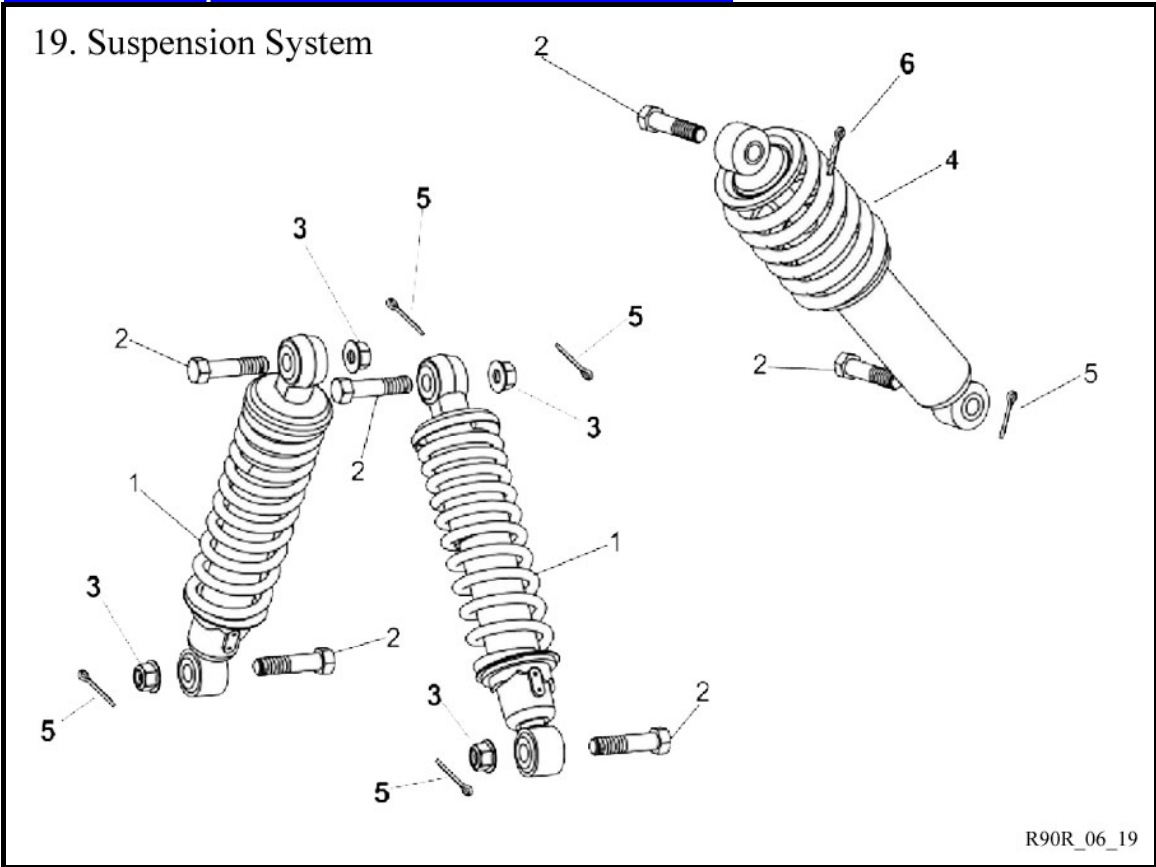
Fig Ref	Item No.	Description	Qty Req
16r-1	610095	Rear Body Cover (Blue)	1
16r-1	813428	Rear Body Cover (Pink)	1
16r-1	610301	Rear Body Cover (Black)	1
16r-1	610094	Rear Body Cover (Red)	1
16r-2	813435	V'09 Rear Graphic (LH)	1
16r-3	813437	V'09 Rear Graphic (RH)	1
16r-4	650262	Bolt Washer & Nut (M6x18)	4
16r-5	650994	Warning Label (Muffler)	1
16r-7	750334	Nut (M6x10)	3
16r-8	610100	Rear Fender Panel (LH-Blue)	1
16r-8	813429	Rear Fender Panel (LH-Pink)	1
16r-8	610304	Rear Fender Panel (LH-Black)	1
16r-8	610099	Rear Fender Panel (LH-Red)	1
16r-12	750183	Circle Reflector (Red)	3
16r-13	610103	Rear Fender Panel (RH-Blue)	1
16r-13	813430	Rear Fender Panel (RH-Pink)	1
16r-13	610305	Rear Fender Panel (RH-Black)	1
16r-13	610102	Rear Fender Panel (RH-Red)	1
16r-17	813427	Viper Seat (Blk/Silver)	1
16r-17	610091	Viper Seat (Black)	1
16r-18	610092	Seat Latch	1
16r-19	813436	Rear Fender Graphic (LH)	1
16r-21	812527	Spark Arrestor Label	1
16r-22	813377	Warning Label (Tire Pressure)	1
16r-23	813378	Warning Label (No Passenger)	1

## 18. Fuel Tank & Lines



R70\_09\_18

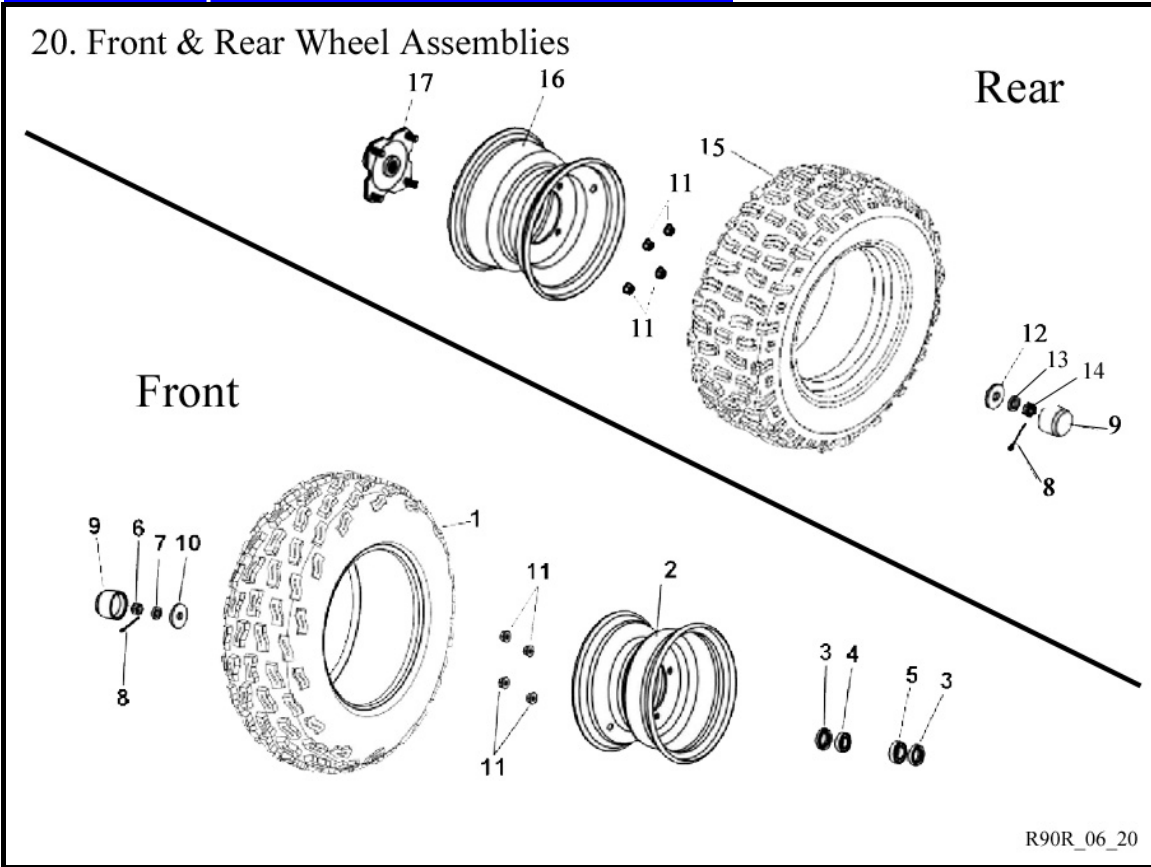
Fig Ref	Item No.	Description	Qty Req
18-1	813262	Metal Fuel Tank	1
18-1	811050	Fuel Tank (Metal)	1
18-2-1	813381	Fuel Tank Cap	1
18-2-2	650853	Breather Tube	1
18-3	650940	Bolt & Washer (M6x25)	2
18-4	811629	Fuel Filter Assembly	1
18-4-1	800002	Fuel Filter Element	1
18-4-2	813383	Fuel Tube	2
18-4-3	813444	Fuel Line Clip	2
18-4-4	813446	Fuel Line Clip	2
18-5	811006	Primary Fuel Line	1
18-5-1	813447	Primary Fuel Line	1
18-5-2	813446	Fuel Line Clip	1
18-5-3	813445	** USE 610011	1
18-6	811628	Fuel Tube Reserve Line	1
18-6-1	813448	Fuel Reserve Line	1
18-6-2	813446	Fuel Line Clip	1
18-6-3	813445	** USE 610011	1
18-7	650331	Fuel Petcock	1
18-8	650332	Pan Head Bolt (M5x16)	2
18-9	650862	Fuel Cap Neck Seal	1
18-10	813259	Rubber Insert	2
18-11	813260	Collar	2
18-12	813426	Pad	2



R90R\_06\_19

Fig Ref	Item No.	Description	Qty Req
19-1	812296	Front Shock Absorber	2
19-2	811751	Pin Hole Bolt (M8x40)	6
19-3	750375	Locking Flange Nut (M10x19)	4
19-4	650036	Rear Shock Absorber	1
19-5	650339	Cotter Pin (1/8 x 1)	5
19-6	750318	Hair Pin Cotter	1

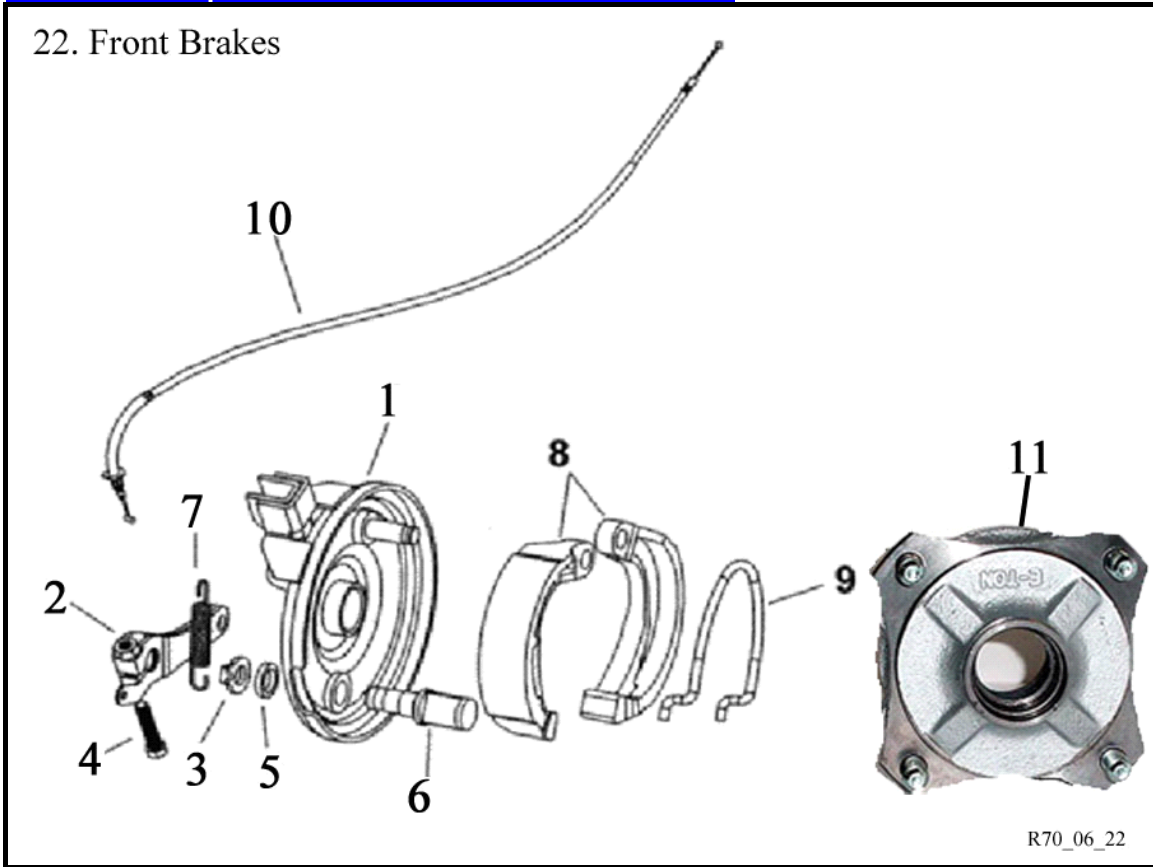




R90R\_06\_20

Fig Ref	Item No.	Description	Qty Req
20-1	610163	Front Tire (18x7x8)	2
20-2	650537	Wheel Rim (8x5.5 AT26)	2
20-3	650345	Oil Seal (22x35x7)	4
20-4	650999	Bearing (6002LU)	2
20-5	750385	Bearing (6003LU)	2
20-6	650350	Castle Nut (M12x16)	2
20-7	610139	Flat Washer (M12x20x2)	2
20-8	811084	Cotter Pin	4
20-9	650353	Rubber Hub Cap	4
20-10	650354	Flat Washer (M10x40x4)	2
20-11	650961	Locking Flange Nut (M10x20)	16
20-12	650368	Flat Washer (M14x40x5)	2
20-13	800291	Flat Washer (M15x24x2)	2
20-14	800525	Castle Nut (M14x19)	2
20-15	610160	Rear Tire (18x9x8)	2
20-16	610140	Rear Wheel Rim (8x5.5 AT24)	2
20-17	650698	Shaft Connector	2

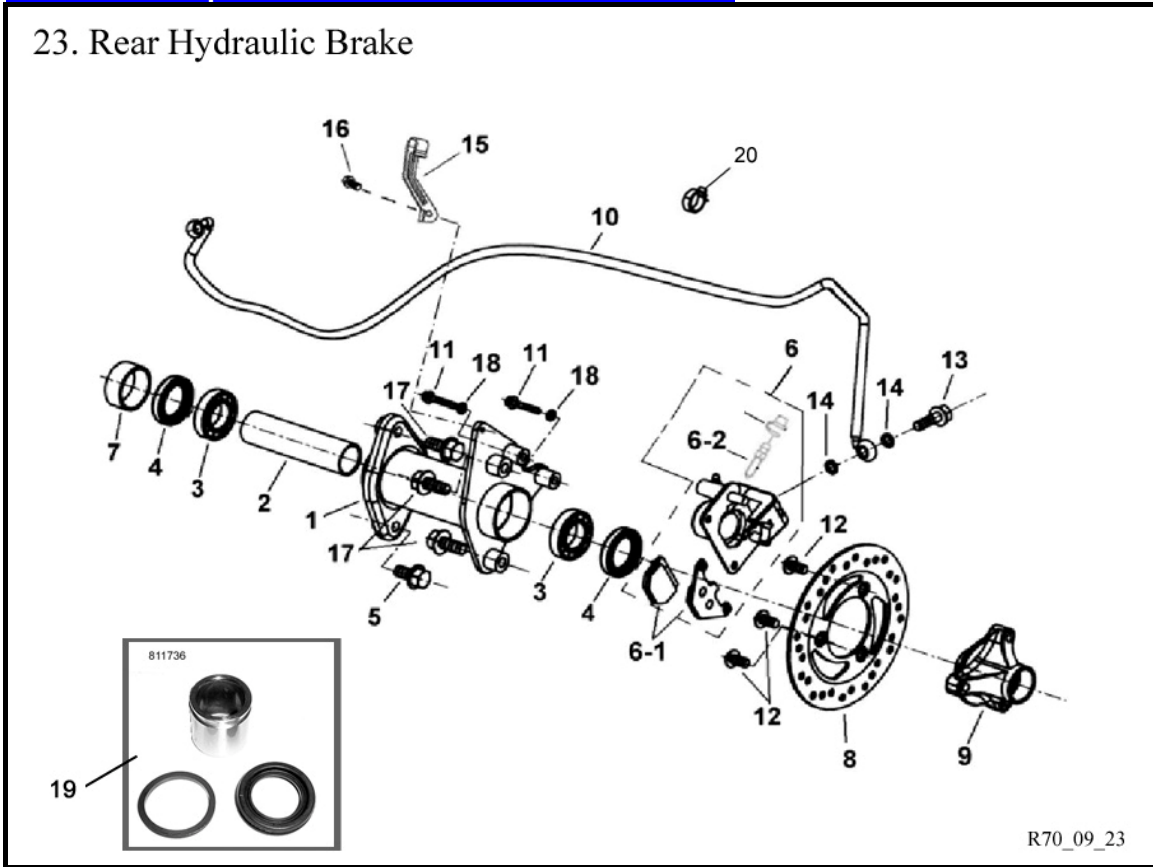
22. Front Brakes



R70\_06\_22

Fig Ref	Item No.	Description	Qty Req
22-1	650371	Front Brake Panel (LH)	1
22-1	650374	Front Brake Panel (RH)	1
22-2	650372	Front Brake Arm (LH)	1
22-2	650375	Front Brake Arm (RH)	1
22-3	650373	Front Brake Wear Indicator	2
22-4	650382	Bolt (M5 X 24)	2
22-5	650380	Brake Panel Felt Seal	2
22-6	650377	Front Brake Arm Cam	2
22-7	650381	Brake Return Spring	2
22-8	650378	Front Brake Shoes	2
22-9	650379	Brake Shoe Spring	2
22-10	610078	Front Brake Cable	2
22-11	650538	Front Brake Drum	2

## 23. Rear Hydraulic Brake



R70\_09\_23

Fig Ref	Item No.	Description	Qty Req
23-1	610141	Rear Axle Bearing Seat	1
23-2	650385	Inner Axle Spacer	1
23-3	650386	Bearing (6006ZZ)	2
23-4	650811	Oil Seal (42x55x8)	2
23-5	650395	Flange Bolt (M12 X 25)	1
23-6	610142	Rear Disc Brake Caliper	1
23-6-1	812111	Rear Brake Pads	1
23-6-2	610010	Bleeder Valve & Cap	1
23-7	811045	Outer Axle Spacer	1
23-8	610144	Rear Brake Rotor	1
23-9	610145	Brake Rotor Mount	1
23-10	610146	Rear Hydraulic Brake Line	1
23-11	650927	Flange Bolt (M8x35)	2
23-12	750292	Allen Head Bolt (M10x20)	3
23-13	750314	Brake Hose Union Bolt M10x21	1
23-14	750309	Flat Washer (M10x12x1)	2
23-15	610148	Brake Line Clip	1
23-16	650271	Flange Bolt (M6 X 12)	1
23-17	650396	Flange Bolt (M12 X 28)	3
23-18	650424	Spring Washer (M8x14x2)	2
23-19	811736	Brake Caliper Service Kit	1
23-20	813401	Brake Line Clip	1

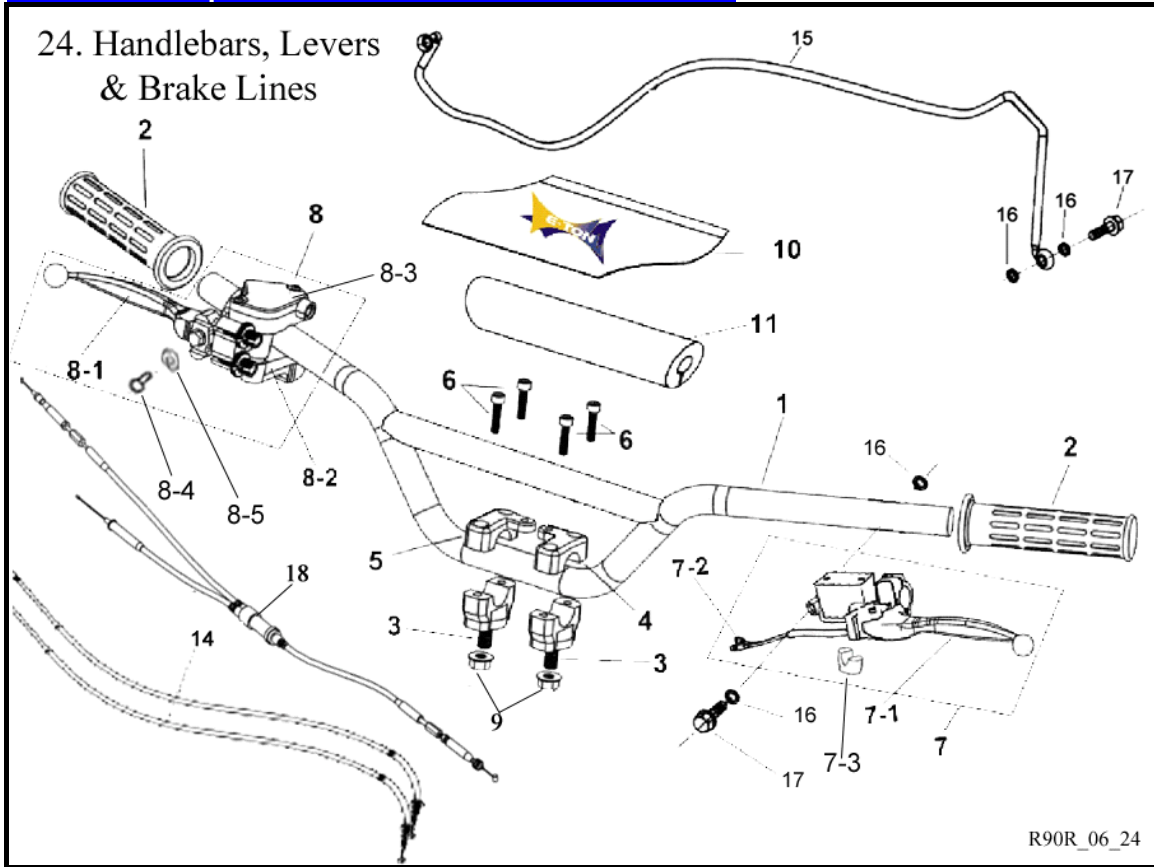
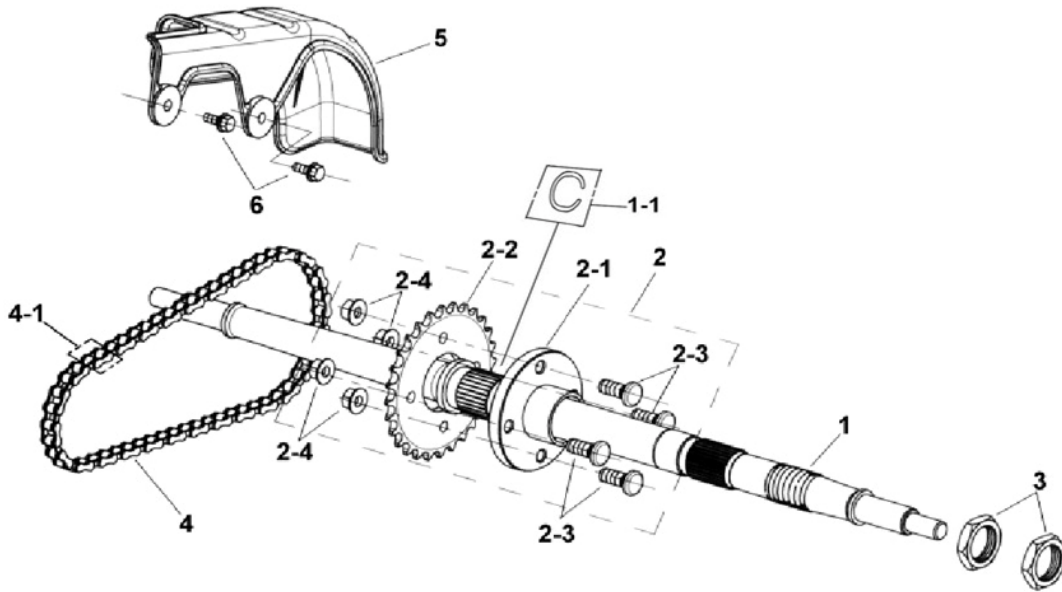


Fig Ref	Item No.	Description	Qty Req
24-1	813408	Handlebar	1
24-2	650410	Handlebar Grip	2
24-3	650411	Handlebar Clamp (Bottom)	2
24-4	650412	Handlebar Clamp Cap (LH)	1
24-5	650413	Handlebar Clamp Cap (RH)	1
24-6	650558	Socket Bolt (M6 X 25)	4
24-7	610149	Brake Master Cylinder & Lever	1
24-7-1	810561	Brake Lever (LH)	1
24-7-2	610152	Brake Switch Assembly	1
24-7-3	812416	Master Cylinder Bottom Clamp	1
24-8	610154	Front Brake Lever (RH)	1
24-8-1	610151	Lever, (only-RH)	1
24-8-2	610150	Throttle Lever (RH)	1
24-8-3	812425	Throttle Cover Assembly	1
24-8-4	650135	Pan Head Bolt (M5x14)	1
24-8-5	813213	Nut (M5x8)	1
24-9	650255	Locking Flange Nut (M10x19)	2
24-10	811055	Handlebar Pad Cover	1
24-10	813846	Handlebar Pad Cover (Black)	1
24-11	811056	Handlebar Pad	1
24-14	811732	Front Brake Cable	2
24-15	610146	Rear Hydraulic Brake Line	1
24-16	750309	Flat Washer (M10x12x1)	4
24-17	750314	Brake Hose Union Bolt M10x21	2
24-18	811632	Throttle Cable	1

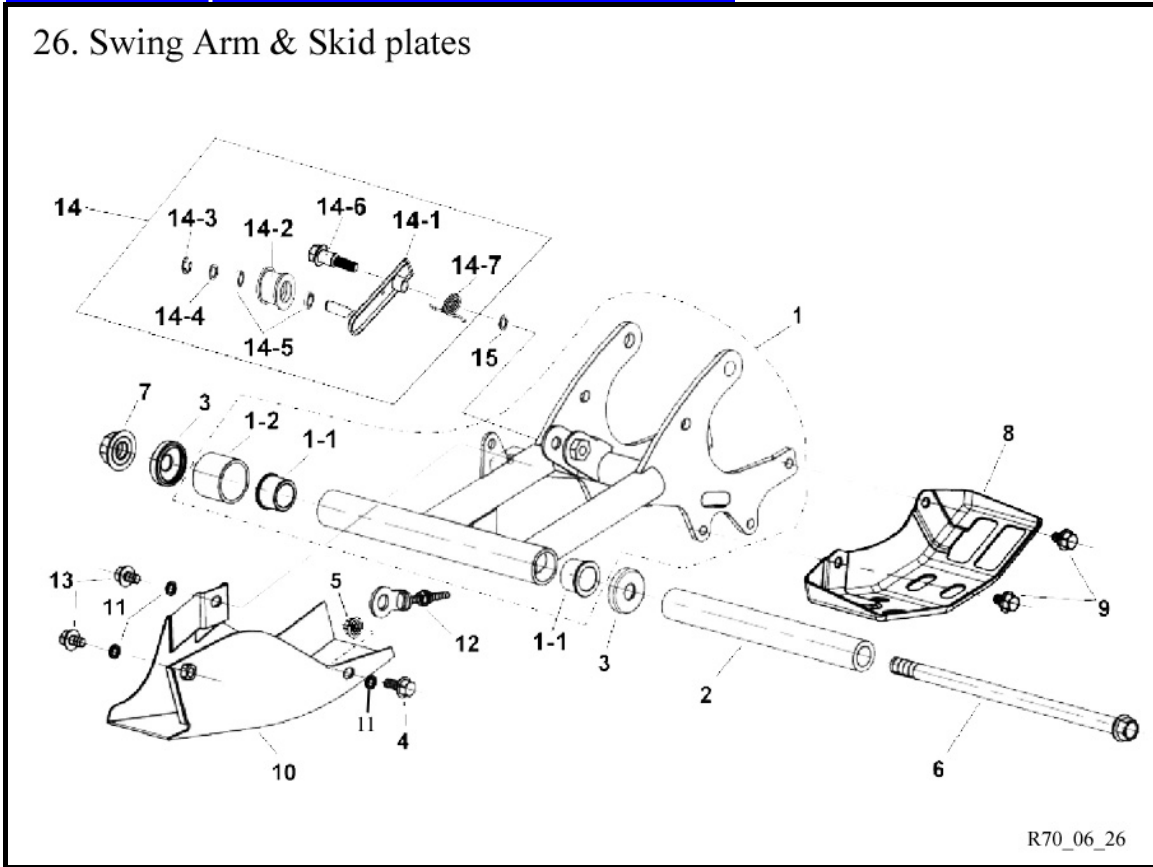
25. Rear Drive Axle & Chain



R70\_09\_25

Fig Ref	Item No.	Description	Qty Req
25-1	813399	Rear Axle	1
25-1-1	813400	Rear Axle Clip	1
25-2	813395	Rear Sprocket 520x28T & Holder	1
25-2-1	813396	Rear Sprocket Holder	1
25-2-2	610037	Rear Sprocket (M520x28T)	1
25-2-3	650552	Stud Bolt (M10x25)	4
25-2-4	650255	Locking Flange Nut (M10x19)	4
25-3	650555	Rear Axle Nut (M28x35x8)	2
25-4	650556	Drive Chain (Std #520x66L)	1
25-4-1	810591	Master Link #520	1
25-5	811046	Upper Rear Chain Guard	1
25-6	650417	Flange Bolt (M8x30)	2

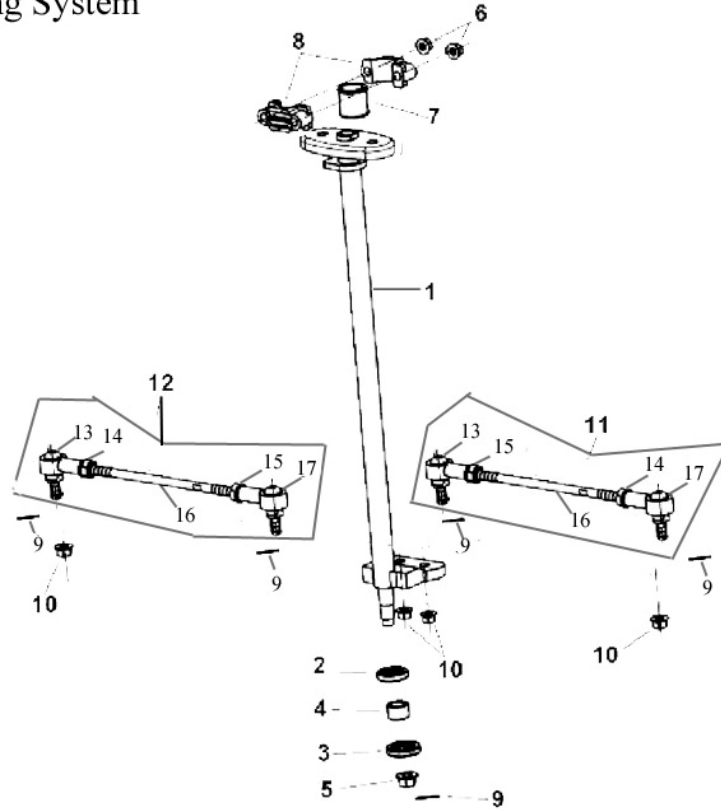
## 26. Swing Arm & Skid plates



R70\_06\_26

Fig Ref	Item No.	Description	Qty Req
26-1	813407	Swing Arm	1
26-1-1	650273	Oil Containing Bushing (020)	2
26-1-2	813457	Swing Arm Chain Protector	1
26-2	650274	Swing Arm Spacer (20x14.1x254)	1
26-3	650275	Swing Arm Seal Cover	2
26-4	650417	Flange Bolt (M8x30)	1
26-5	650279	Locking Flange Nut (M8x18)	1
26-6	650277	Swing Arm Set Bolt (M14 X 285)	1
26-7	650278	Locking Flange Nut (M14x25)	1
26-8	811047	Brake Caliper Skid Plate	1
26-9	650402	Flange Bolt (M8 X 12)	2
26-10	811687	Chain Skid Plate	1
26-11	650424	Spring Washer (M8x14x2)	2
26-12	813397	Chain Adjuster	1
26-13	650294	Flange Bolt (M8 X 16)	2
26-14	811514	Chain Tentioner Assembly	1
26-14-1	811724	Idler Bracket	1
26-14-2	811727	Tension Idler Wheel	1
26-14-3	811729	Circle Clip	1
26-14-4	811728	Flat Washer (M12x16x1)	1
26-14-5	811730	Bearing (6901LU)	2
26-14-6	811726	Stud Bolt (M8x28)	1
26-14-7	811725	Return Spring	1
26-15	700286	Flat Washer (M9x18x1)	1

### 27. Steering System



R90R\_06\_27

Fig Ref	Item No.	Description	Qty Req
27-1	811058	Steering Shaft	1
27-2	650430	Oil Seal (18x32x7)	1
27-3	650345	Oil Seal (22x35x7)	1
27-4	650346	Inner Spacer (15x21.7X15)	1
27-5	650278	Locking Flange Nut (M14x25)	1
27-6	650279	Locking Flange Nut (M8x18)	2
27-7	650435	PU Bushing Sleeve	1
27-8	700221	Knuckle (LH)	1
27-9	700227	Knuckle (RH)	1
27-10	650438	Locking Flange Nut (M10x20)	2
27-11	650255	Locking Flange Nut (M10x19)	4
27-12	650440	Steering Tie Rod (LH)	1
27-12-1	610048	Stud Bolt (M10x195)	1
27-12-2	610054	Tie Rod End (LH)	1
27-12-3	610056	Tie Rod End (RH)	1
27-12-4	610050	Nut (RH) (M10x16)	1
27-12-5	610051	Nut (LH) (M10x16)	1
27-13	650441	Steering Tie Rod (RH)	1
27-13-1	610048	Stud Bolt (M10x195)	1
27-13-2	610054	Tie Rod End (LH)	1
27-13-3	610056	Tie Rod End (RH)	1
27-13-4	610050	Nut (RH) (M10x16)	1
27-13-5	610051	Nut (LH) (M10x16)	1
27-14	650442	Steering Shaft Clamp	2
27-15	650339	Cotter Pin (1/8 x 1)	5





## 29. Accessories

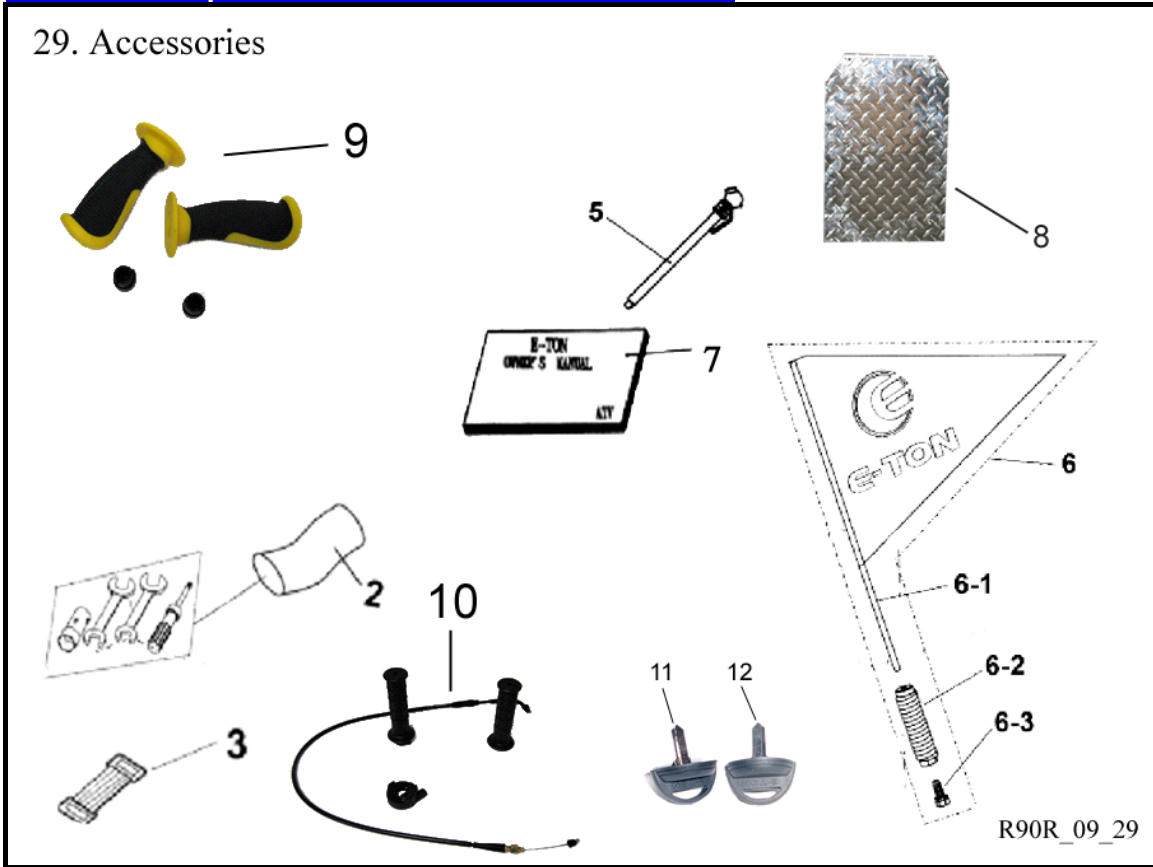


Fig Ref	Item No.	Description	Qty Req
29-2	813441	Tool Set	1
29-3	650727	Tool Kit Retainer Strap	1
29-5	800529	Tire Pressure Gauge	1
29-6	811072	E-TON Safety Flag (Complete)	1
29-6-1	811070	Flag & Mast	1
29-6-2	811071	Flag Holder Base	1
29-6-3	811077	Bolt & Washer (M8x16)	1
29-7	813442	Owners Manual	1
29-8	990030	Chassis Plate (RX4-90R)	1
29-9	813783	Handlebar Grip Set (Blk/Blue)	1
29-9	813784	Handlebar Grip Set (Blk/Gray)	1
29-9	813785	Handlebar Grip Set (Blk/Ylw)	1
29-9	813786	Handlebar Grip Set (Blk/Red)	1
29-10	813789	Throttle Grip Acceleration Kit	1
29-11	810009	Blank Key (RH Cut)	1
29-12	610009	Blank Key (Left Cut)	1