



ETON America

PARTS CATALOG

Matrix R4-150

Parts and drawing are subject to change without notice. ETON America reserves the right to substitute parts that have engineering changes that can alter the appearance of the part but performs the same function as the original parts. ETON America can not be held liable for errors or typographical errors in this publication.

Table of Contents

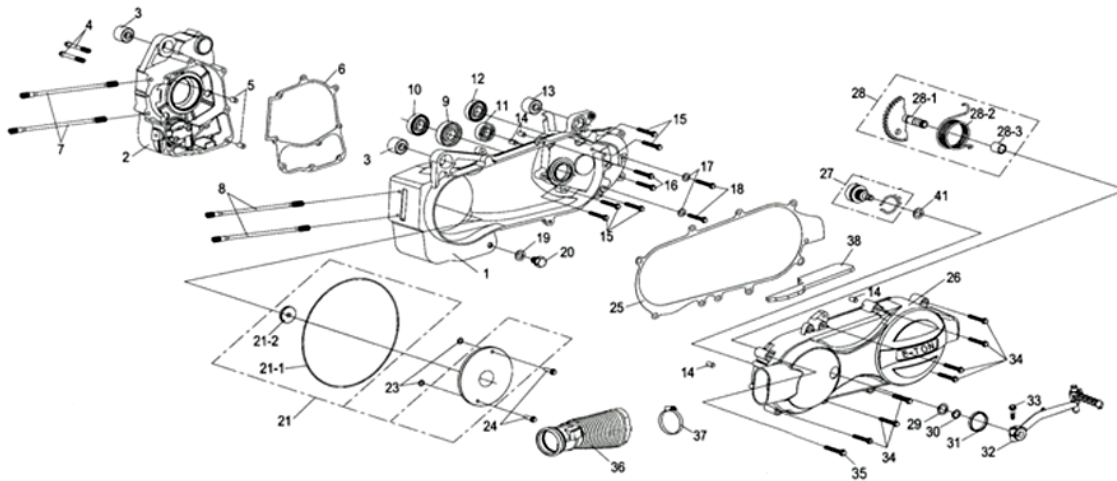
Matrix R4-150



Figure No. Content Reference

01	Crankcase, LH Cover, and Spindle Assembly
02	Crankshaft, Cylinder, Piston, and Tensioner
03	Oil Pump and Starter Motor
04	Crankcase Cover (RH) and A/C Generator
05	Head, Head Cover, Cam Shaft, and Valve
06	Fan Cover and Engine Shroud
07	CVT Pulley System
08	Transmission
09	Air Cleaner
10	Carburetor
11	Oil Cooler
12	Engine
13	Exhaust Muffler Assembly
14	Rear Wheel
15	Main Stand and Kick Stand
16	Head Light and Tail Light
17	Speedometer, Cable, and Console Panel
18	Hand Controls, Cables, Brake Lines, and Mirrors
19	Handlebar and Front Turn Signals
20	Front Fork
21	Front Wheel
22	Fenders and Side Covers
23	Body Cover and Floor Mats
24	Seat and Helmet Box
25	Electrical Components
26	License Plate Holder and Rear Fender
27	Frame and Rear Shock Absorber
28	Fuel Tank
29	Optional Accessories

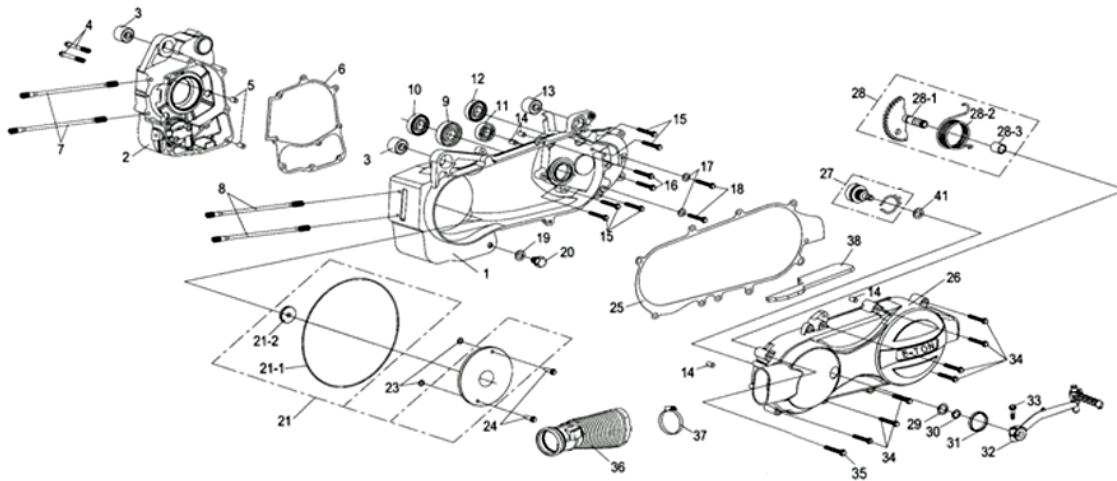
01. Crankcase, Left Cover, and Spindle Assembly



PN2I_01_9

Fig Ref	Item No.	Description	Qty Req
1-1	812888	Crankcase (LH)	1
1-2	800112	Crankcase (RH)	1
1-3	800107	Engine Mount Bushing	2
1-4	800113	Flange Bolt (M6x50)	2
1-5	800109	Dowel Pin (8x14)	2
1-6	800129	Crankcase Gasket (RH)	1
1-7	800111	Stud Bolt (M8x200)	2
1-8	800110	Stud Bolt (M8x210)	2
1-9	800279	Oil Seal (M20x32x6)	1
1-10	650111	Radial Ball Bearing (6204)	1
1-11	750388	Radial Ball Bearing (6202)	1
1-12	750389	Radial Ball Bearing (6203)	1
1-13	812889	Suspension Arm Bushing	1
1-14	650158	Dowel Pin (M10x14)	4
1-15	811772	Flange Bolt SH (M6x45)	5
1-16	812962	Flange Bolt (M6x55)	2
1-17	700289	Flat Washer (M8x14x1.5)	2
1-18	700406	Flange Bolt SH (M8x12)	2
1-19	800121	Flat Washer (M12x20x2)	1
1-20	800491	Flange Bolt (M12x15)	1
1-21	812964	Crankcase Plate Assy.	1
1-21-1	800116	O-Ring (107x2)	1
1-21-2	812811	Oil Seal (LH) [19.8x30x5R]	1
1-21-3	800118	Crankcase Plate (LH)	1
1-23	800117	O-Ring (6x1.7)	2
1-24	650143	Flange Bolt (M6x20)	2

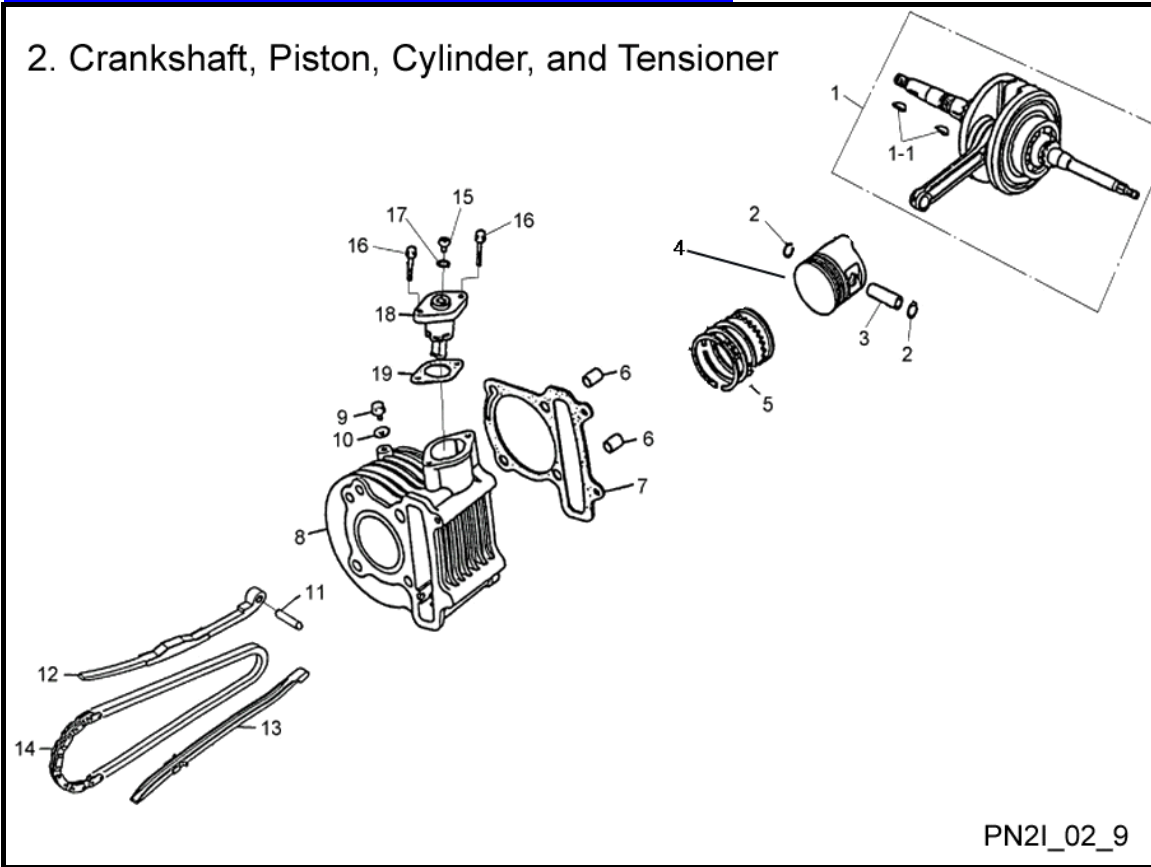
01. Crankcase, Left Cover, and Spindle Assembly



PN2I_01_9

Fig Ref	Item No.	Description	Qty Req
1-25	812892	Crankcase Cover Gasket (LH)	1
1-26	812890	Crankcase Cover (LH)	1
1-27	800145	Starter Idler Gear	1
1-28-1	800535	Kick Starter Spindle	1
1-28-2	800536	Kick Starter Torsion Spring	1
1-28-3	811672	Kick Starter Spindle Bushing	1
1-29	800143	Flat Washer (M15x20x2)	1
1-30	800144	Circle-Clip (14mm)	1
1-31	811673	Spacer	1
1-32	650192	Kick Crank	1
1-33	650193	Bolt (M6x25)	1
1-34	800477	Bolt (M6x40)	7
1-35	812961	Flange Bolt (M6x40)	1
1-36	812891	CVT Cooling Duct	1
1-37	813210	CVT Duct Clamp	1
1-38	813801	Rubber Pad	1
1-41	810240	Flat Washer (M11x18x1)	1

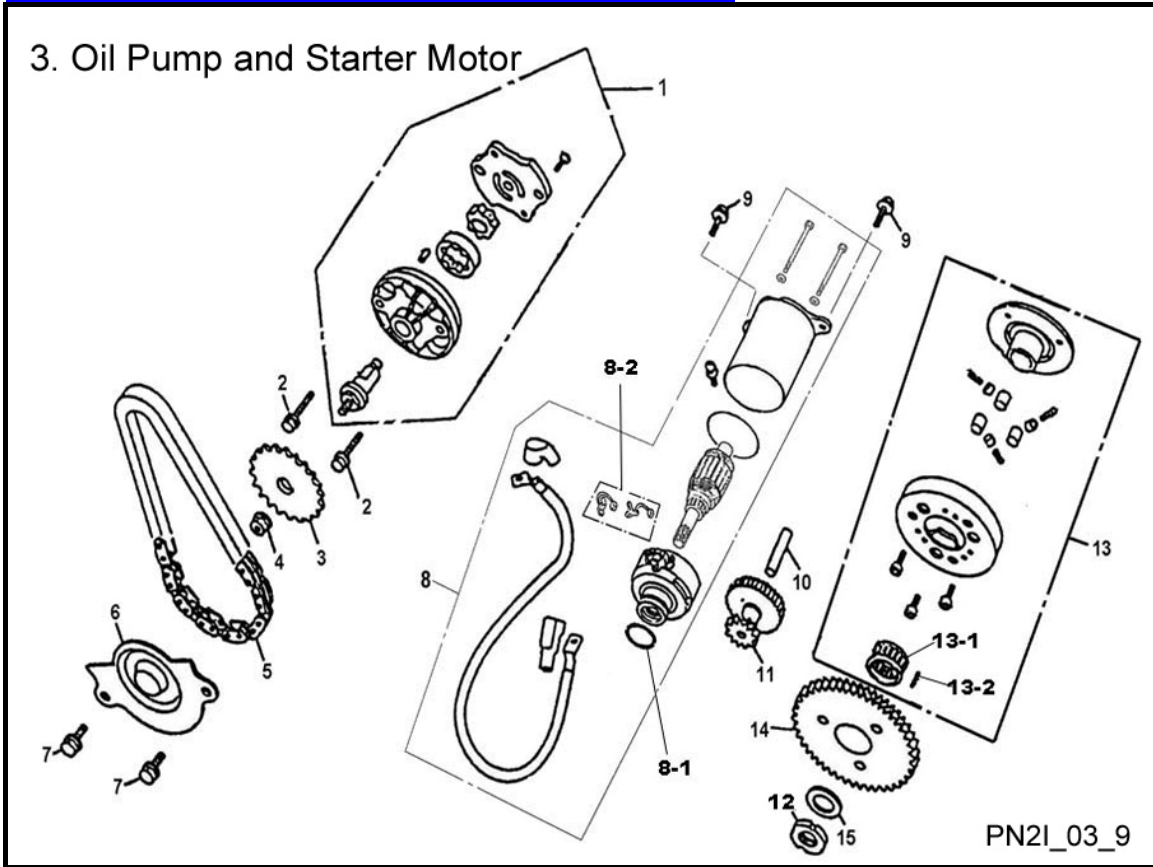
2. Crankshaft, Piston, Cylinder, and Tensioner



PN21_02_9

Fig Ref	Item No.	Description	Qty Req
2-1	812893	Crankshaft	1
2-1-1	800148	Wood-Ruff Key (M25x14x4)	2
2-2	800149	Piston Pin Circle-Clip	2
2-3	800150	Piston Wrist Pin 150cc	1
2-4	812332	Piston (150cc)	1
2-5	800152	Piston Ring (Set of 5) 150cc	1
2-6	650158	Dowel Pin (M10x14)	2
2-7	800156	Cylinder Base Gasket	1
2-8	800157	Cylinder 150cc	1
2-9	800490	Flange Bolt (M6x12)	1
2-10	800159	Flat Washer (M6x10x1)	1
2-11	800160	Cam Chain Guide Pin	1
2-12	800162	Cam Chain Guide A	1
2-13	800163	Cam Chain Guide B	1
2-14	800164	Cam Chain	1
2-15	800161	Pan Head Bolt (M6x6)	1
2-16	650143	Flange Bolt (M6x20)	2
2-17	800153	O-Ring (M1.5x9.5)	1
2-18	800154	Cam Chain Tentioner	1
2-19	800155	Cam ChainTentioner Gasket	1

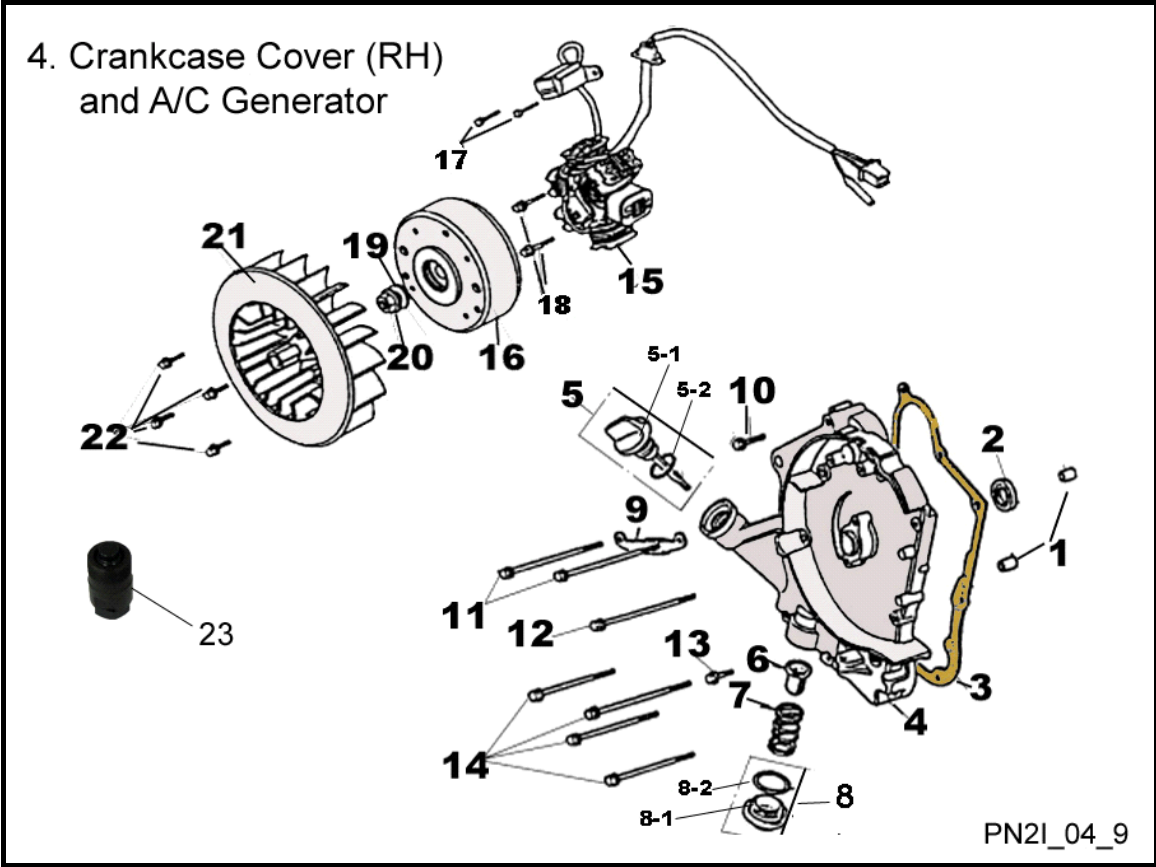
3. Oil Pump and Starter Motor



PN21_03_9

Fig Ref	Item No.	Description	Qty Req
3-1	800165	Oil Pump 150cc	1
3-2	800172	Pan Head Bolt (M6x30)	2
3-3	800173	Oil Pump Drive Sprocket	1
3-4	800480	Flange Nut (M6x11)	1
3-5	800174	Oil Pump Chain	1
3-6	800175	Oil Separator	1
3-7	800141	Flange Bolt SH (M6x12)	2
3-8	813808	Starter Motor	1
3-8-1	811473	O-Ring (24.4x3.1)	1
3-8-2	811474	Comutator Brushes	2
3-9	800475	Flange Bolt (M6x16)	2
3-10	800171	Starter Reduction Gear Shaft	1
3-11	800170	Starter Reduction Gear	1
3-12	800166	Lock Nut (M22x30)	1
3-13	800169	Outer Starter Clutch	1
3-13-1	811475	Needle Bearing	1
3-13-2	811212	Lock Pin	1
3-14	800168	Starting Clutch Gear	1
3-15	800167	Flat Washer (M22x31x2)	1

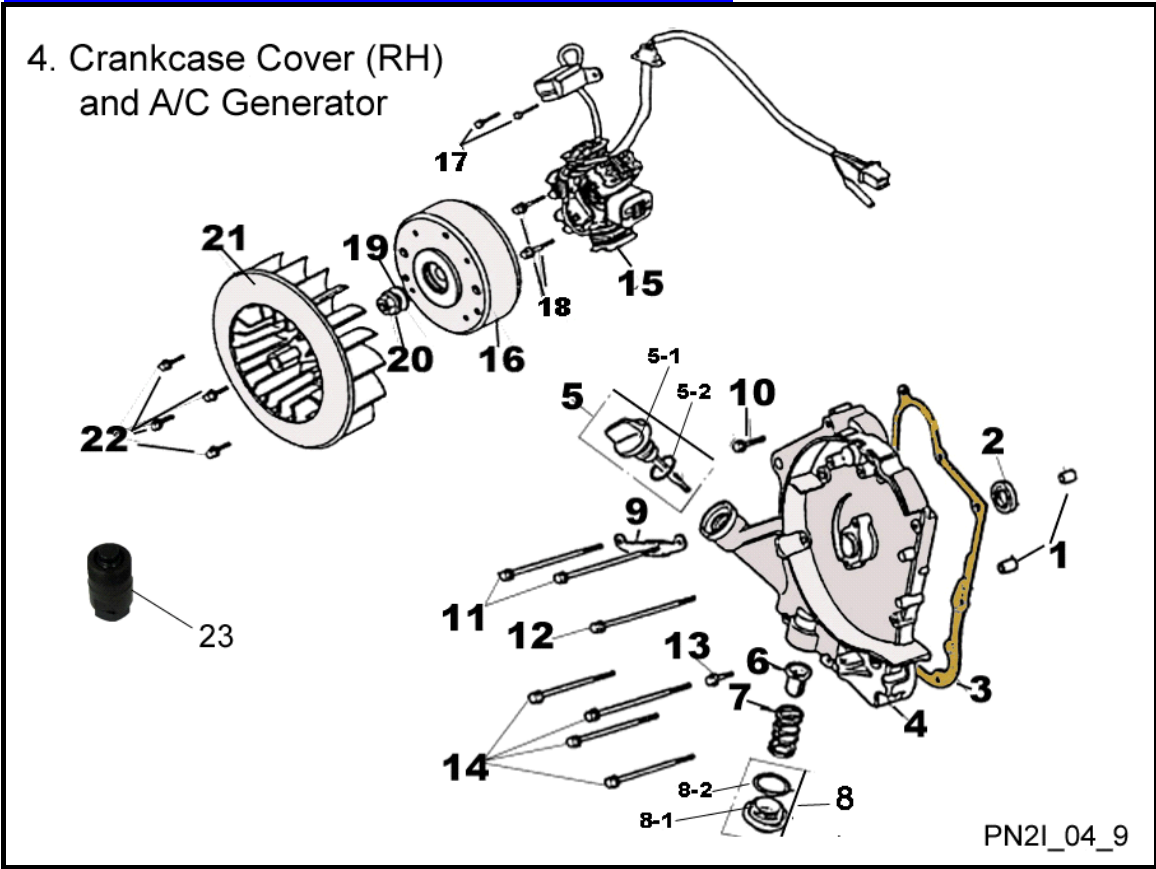
4. Crankcase Cover (RH) and A/C Generator



PN21_04_9

Fig Ref	Item No.	Description	Qty Req
4-1	800109	Dowel Pin (8x14)	2
4-2	812862	Oil Seal (RH) [19.8x30x5L]	1
4-3	800178	Crankcase Cover Gasket (RH)	1
4-4	800476	Crankcase Cover (RH)	1
4-5	800180	Oil Level Gauge & O-Ring	1
4-5-1	811476	Oil Level Gauge	1
4-5-2	811477	O-Ring Seal (18x3.5)	1
4-6	800182	Oil Filter Screen	1
4-7	800183	Oil Filter Screen Spring	1
4-8	800184	Crankcase Drain Plug & O-Ring	1
4-8-1	811478	Crankcase Drain Plug	1
4-8-2	811479	O-Ring Seal	1
4-9	800186	AC Generator Clamp	1
4-10	800477	Bolt (M6x40)	1
4-11	800478	Flange Bolt (M6x110)	2
4-12	700326	Flange Bolt SH (M6x100)	1
4-13	700325	Flange Bolt (M6x32)	1
4-14	800479	Flange Bolt (M6x95)	4
4-15	811161	AC Generator (8 Pole)	1
4-16	811384	Flywheel (8 Pole)	1
4-17	800194	Bolt & Washer (M5x14)	2
4-18	650143	Flange Bolt (M6x20)	2
4-19	650509	Flat Washer (M13x25x2))	1
4-20	650510	Flange Nut (M12x22)	1
4-21	800181	Cooling Fan	1
4-22	800119	Flange Bolt SH (M6x18)	4

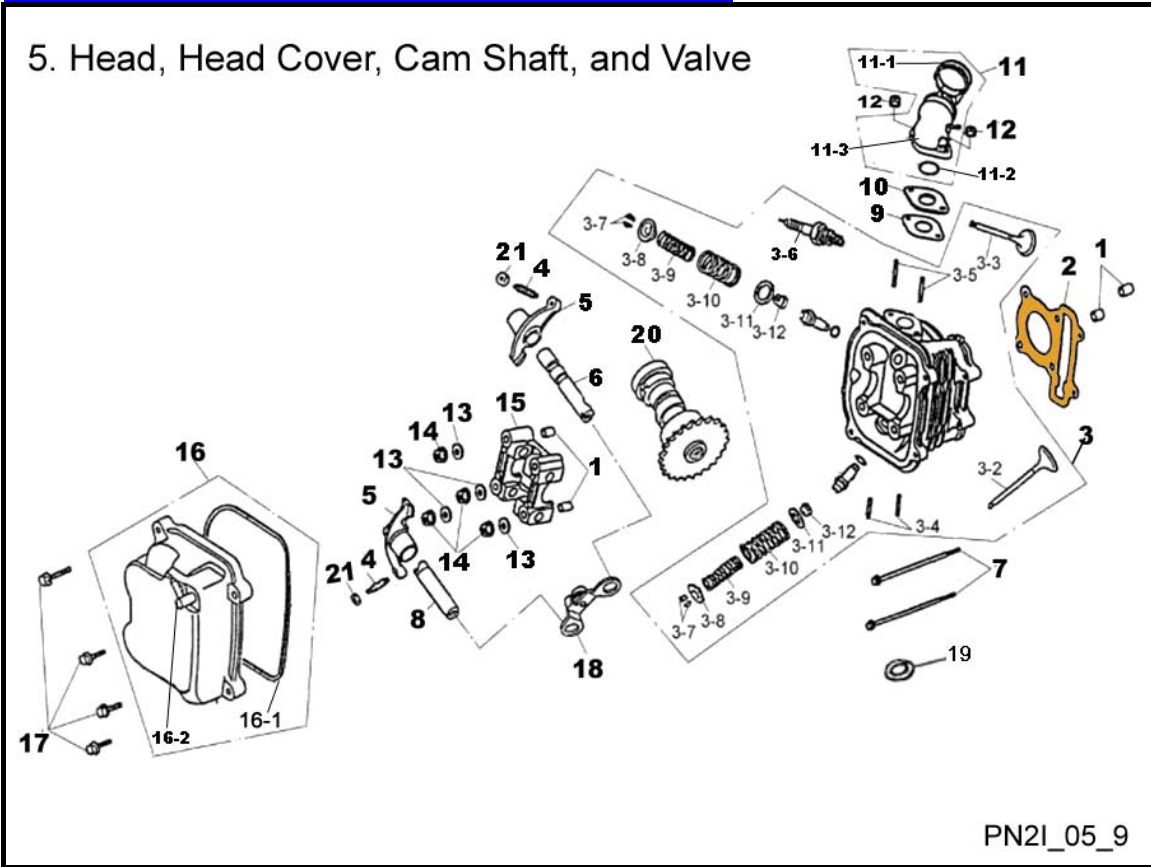
4. Crankcase Cover (RH) and A/C Generator



PN21_04_9

Fig Ref	Item No.	Description	Qty Req
4-23	814120	Flywheel Puller Tool	1

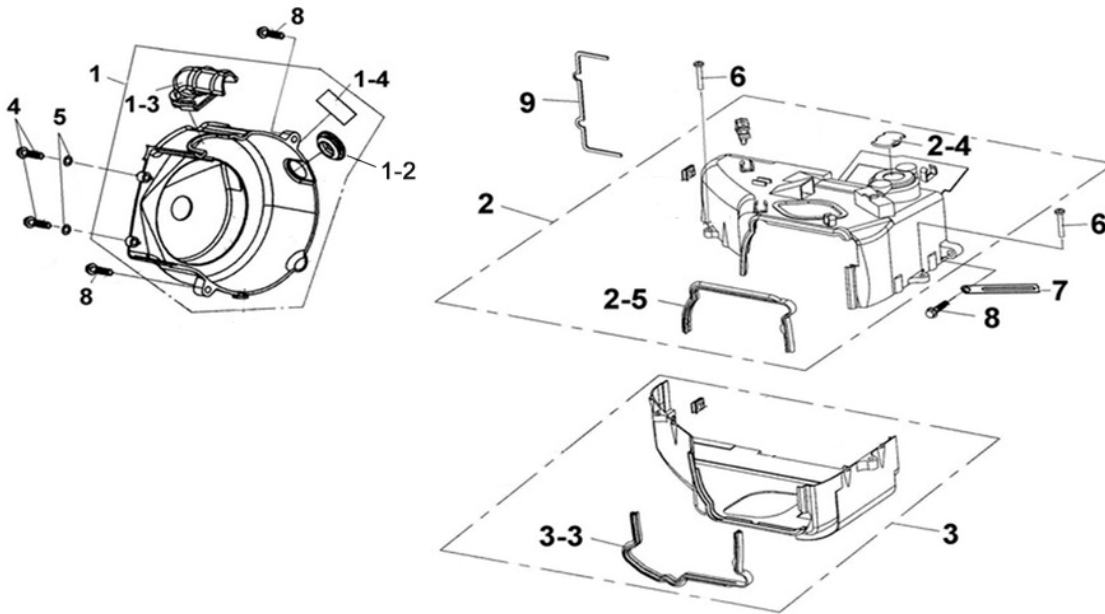
5. Head, Head Cover, Cam Shaft, and Valve



PN21_05_9

Fig Ref	Item No.	Description	Qty Req
5-1	650158	Dowel Pin (M10x14)	4
5-2	800195	Cylinder Head Gasket 150cc	1
5-3	800198	Cylinder Head 150cc	1
5-3-2	800196	Exhaust Valve	1
5-3-3	800197	Intake Valve	1
5-3-4	810241	Stub Bolt No:003 (M6x27)	2
5-3-5	800202	Stud Bolt (M6x50)	2
5-3-6	800199	Spark Plug (C7HSA)	1
5-3-7	800205	Valve Spring Retainer	4
5-3-8	800206	Valve Spring Retainer Washer	2
5-3-9	800207	Inner-Valve Spring	2
5-3-10	800208	Outer-Valve Spring	2
5-3-11	800209	Outer-Valve Spring Seat	2
5-3-12	800210	Valve Stem Seal	2
5-4	800481	Tappet Adjusting Screw	2
5-5	800214	Valve Rocker Arm	2
5-6	800215	Intake-Rocker Arm Shaft	1
5-7	700326	Flange Bolt SH (M6x100)	2
5-8	800482	Exhaust Rocker Arm Shaft	1
5-9	800203	Carburetor Insulator Gasket	1
5-10	800204	Carburetor Insulator	1
5-11	800223	Intake Manifold & Clamp	1
5-11-2	811481	O-Ring	1
5-11-1	811480	Intake Manifold Clamp	1
5-11-3	811524	Intake Manifold	1
5-12	800480	Flange Nut (M6x11)	2

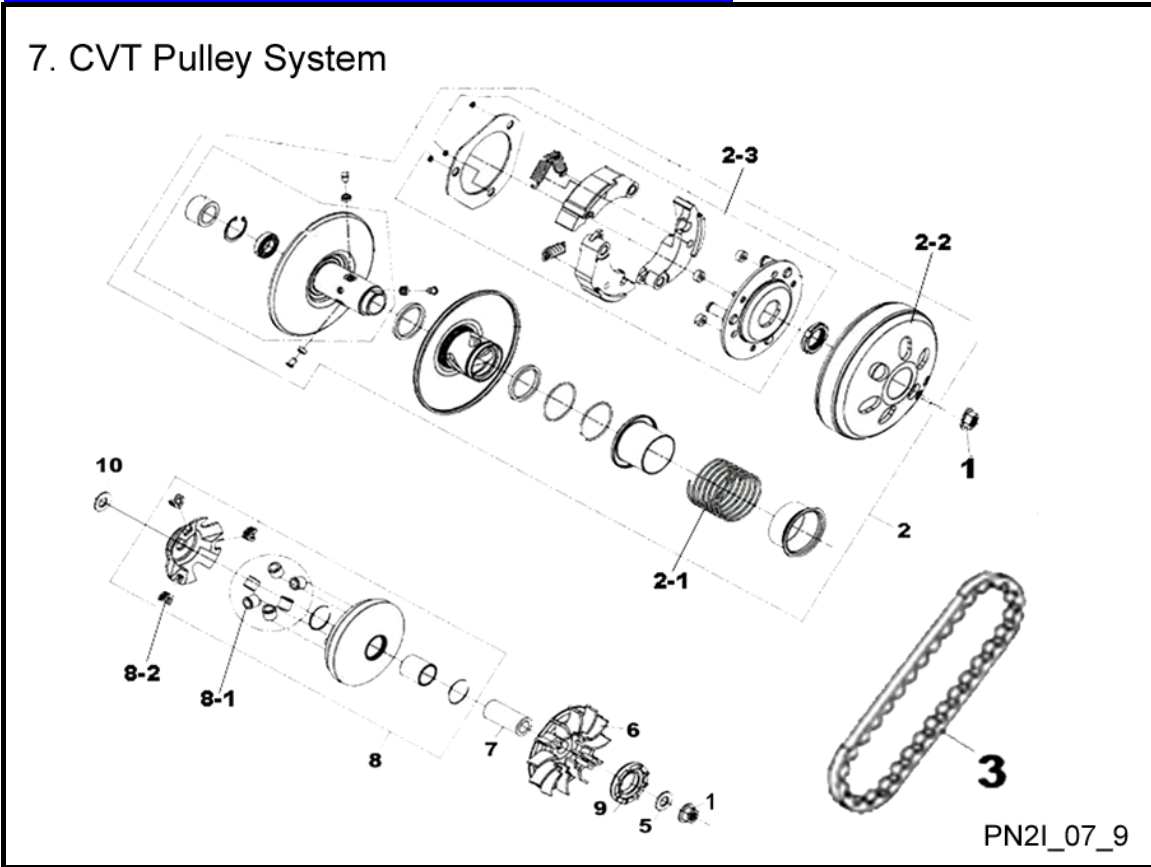
6. Fan Cover and Engine Shroud



PN2I_06_9

Fig Ref	Item No.	Description	Qty Req
6-1	812910	Fan Cover Assy.	1
6-1-2	813209	Fan Cover Grommet	1
6-1-3	812908	Carburetor Cooling Duct	1
6-1-4	800486	Oil Cap Label	1
6-2	800484	Upper Shroud	1
6-2-4	811486	Cam Chain Access Cap	1
6-2-5	811484	Uper Shroud Seal	1
6-3	800224	Lower Shroud	1
6-3-3	811483	Lower Shroud Seal	1
6-4	800221	Pan Head Bolt (M5x25)	2
6-5	812191	Washer (M5x15x1)	2
6-6	800487	Self Tapping Screw (M5x12)	2
6-7	800494	Ignition Coil Wire Clamp	1
6-8	800488	Flange Bolt SH (M6x25)	3
6-9	812909	Fan Cover Seal	1
6-10	811485	Breather Tube Clamp	1

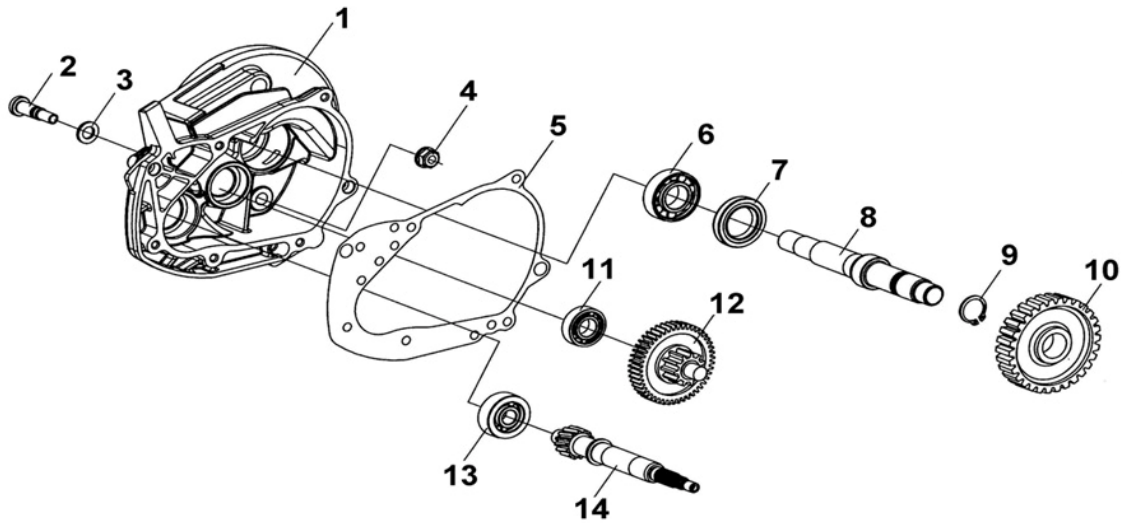
7. CVT Pulley System



PN21_07_9

Fig Ref	Item No.	Description	Qty Req
7-1	650510	Flange Nut (M12x22)	2
7-2	811196	Driven Pulley	1
7-2-1	811487	Drive Face Spring	1
7-2-2	811488	Drive Clutch Drum	1
7-2-3	811489	Drive Clutch Assembly	1
7-3	800266	Drive Belt (743x20x30)	1
7-5	811457	Flat Washer (M15x24x2)	1
7-6	800267	Drive Face	1
7-7	800268	Drive Face Boss	1
7-8	800269	Movable Drive Face	1
7-8-1	811490	Clutch Rollers 15g (Set 6)	6
7-8-2	811491	Slide Retainer Clips (Set 3)	3
7-9	800242	Kick Starter Ratchet	1
7-10	810242	Flat Washer (M15x25x1)	1

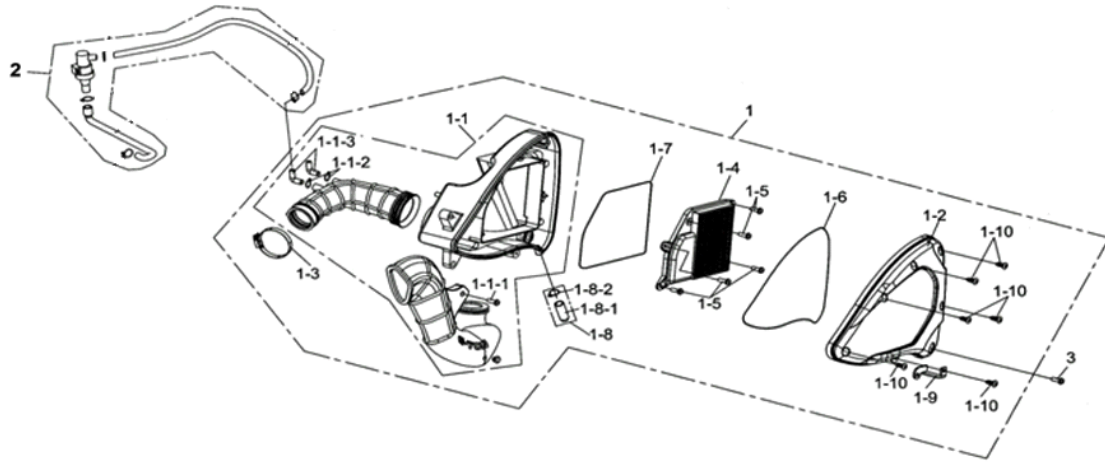
8. Transmission



PN2I_08_9

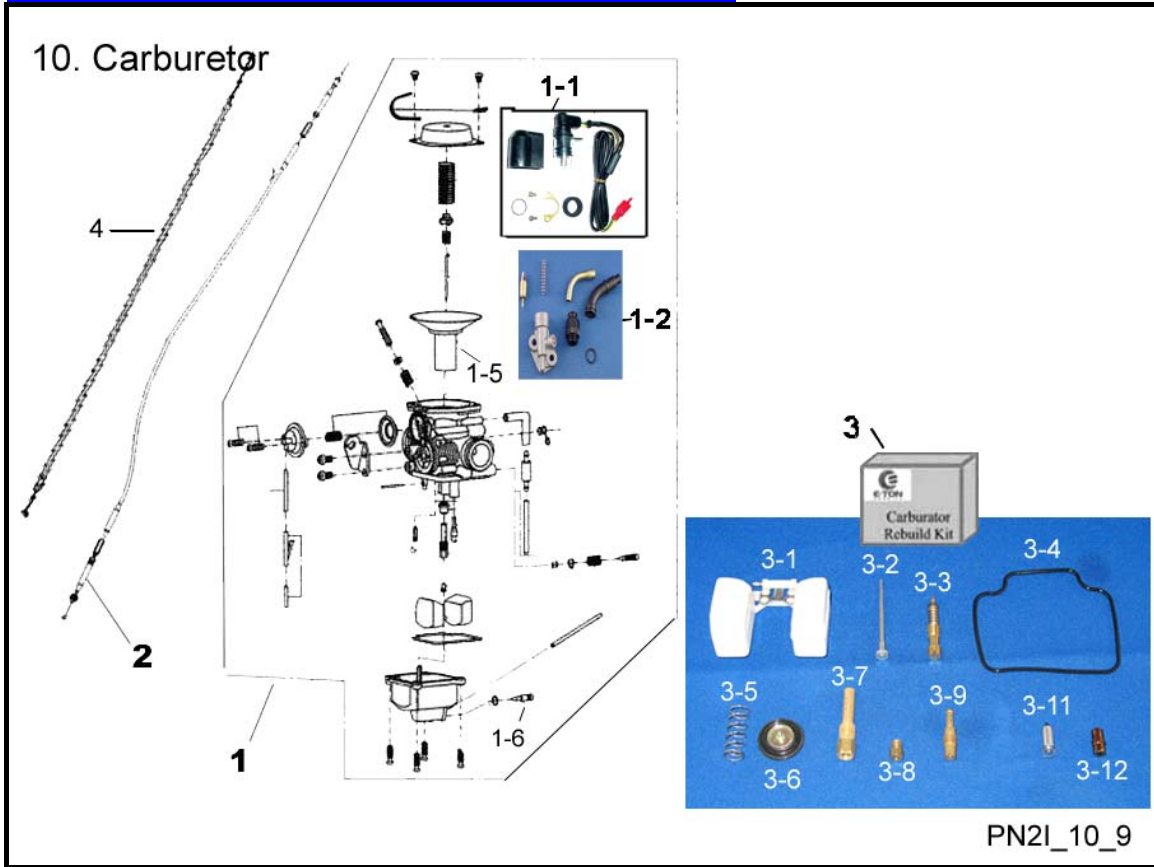
Fig Ref	Item No.	Description	Qty Req
8-1	812912	Transmission Cover	1
8-2	812271	Pivot Pin	1
8-3	811129	Flat Washer (M10x16x2)	1
8-4	650228	Locking Flange Nut (M6x18)	1
8-5	812913	Transmission Cover Gasket	1
8-6	650218	Bearing (6004LUA)	1
8-7	700294	Oil Seal [27x42x7]	1
8-8	812916	Final Shaft	1
8-9	650223	Circle-Clip #20	1
8-10	812917	Final Drive Gear	1
8-11	811216	Radial Bearing (6002)	1
8-12	812915	Counter Shaft	1
8-13	812963	Radial Ball Bearing (6301)	1
8-14	812914	Drive Shaft	1

9. Air Cleaner



PN2I_09_9

Fig Ref	Item No.	Description	Qty Req
9-1	812896	Air Cleaner Assembly	1
9-1-3-2	812976	Breather Tube Joint	2
9-1-3-3	812958	Tube Clamp	2
9-1-4	812894	Air Cleaner Element	1
9-1-5	812897	Air Cleaner Case Seal	1
9-1-6	812895	Air Cleaner Element Seal	1
9-1-7	812645	Air Cleaner Drain Tube	1
9-1-8	811496	Self Tapping Screw (M5x20)	6
9-1-9	812957	Pan Head Bolt/Washer (M4x15)	5
9-1-10	812898	Hose Clamp	1
9-2	812481	Gas Waste Recovery Linkage	1
9-3	750306	Flange Bolt (M6x50)	1



PN2I_10_9

Fig Ref	Item No.	Description	Qty Req
10-1	811381	Carburetor (Mnl Choke 150cc)	1
10-1-1	810592	Electric Choke 150cc	1
10-1-2	811382	Manual Choke 150cc	1
10-1-3	812886	Carburetor Tube	1
10-1-4	812887	3-Way Carburetor Tube	1
10-1-5	811536	Vacuum Piston (Winged Shaft)	1
10-1-6	800551	Carburetor Drain Bolt (150cc)	1
10-2	812901	Throttle Cable	1
10-3	813805	Manual Choke Cable 150cc	1
10-3-1	800553	Carburetor Float (150cc)	1
10-3-2	811535	Jet Needle (*SG5A)	1
10-3-3	812337	Air Adjustment Screw	1
10-3-4	810404	Bowl Gasket	1
10-3-5	812335	A.C.V. Spring	1
10-3-6	812336	A.C.V. Diaphragm	1
10-3-7	810401	Main Jet Atomizer	1
10-3-8	812414	Main Jet #112	1
10-3-9	810400	Pilot Jet (*35)	1
10-3-11	810403	Float Valve Needle	1
10-3-12	810402	Jet Needle Guide	1
10-4	812902	Manual Choke Cable	1
10-NP	810407	Main Jet (#104)	1
10-NP	811499	Main Jet (#108)	1
10-NP	810423	Pilot Jet (*38)	1

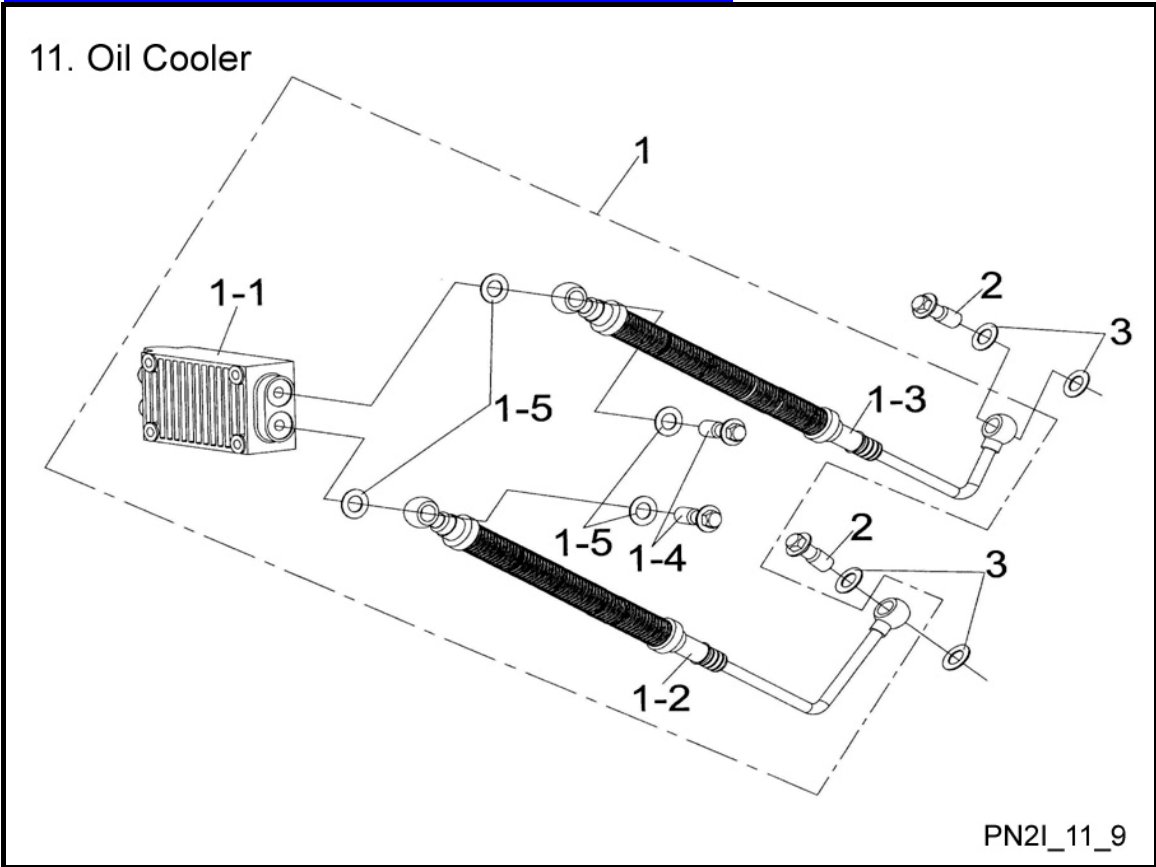
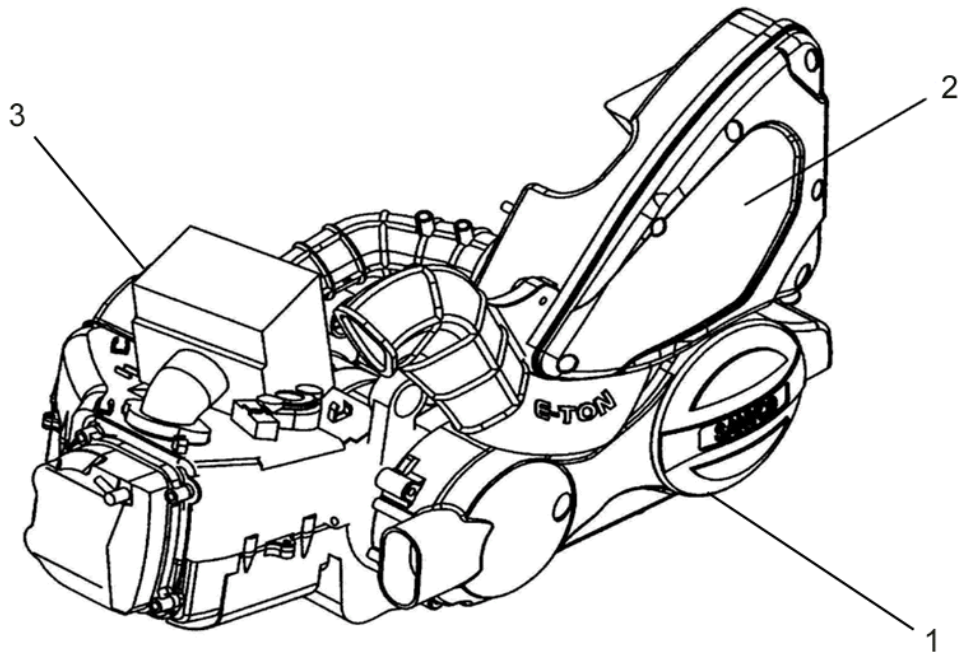


Fig Ref	Item No.	Description	Qty Req
11-1	813831	Oil Cooler & Hoses	1
11-1-1	812458	Oil Cooler Unit	1
11-1-2	813806	Oil Inlet Hose	1
11-1-3	813807	Oil Outlet Hose	1
11-1-4	800349	Oil Bypass Bolt (M12x28)	2
11-1-5	800350	Oil Bypass Joint Seal Washer	4
11-2	800349	Oil Bypass Bolt (M12x28)	2
11-3	800350	Oil Bypass Joint Seal Washer	4

12. Engine



PN21_12_9

Fig Ref	Item No.	Description	Qty Req
12-1	812911	Engine 150cc	1
12-2	812896	Air Cleaner Assembly	1
12-3	811381	Carburetor (Mnl Choke 150cc)	1

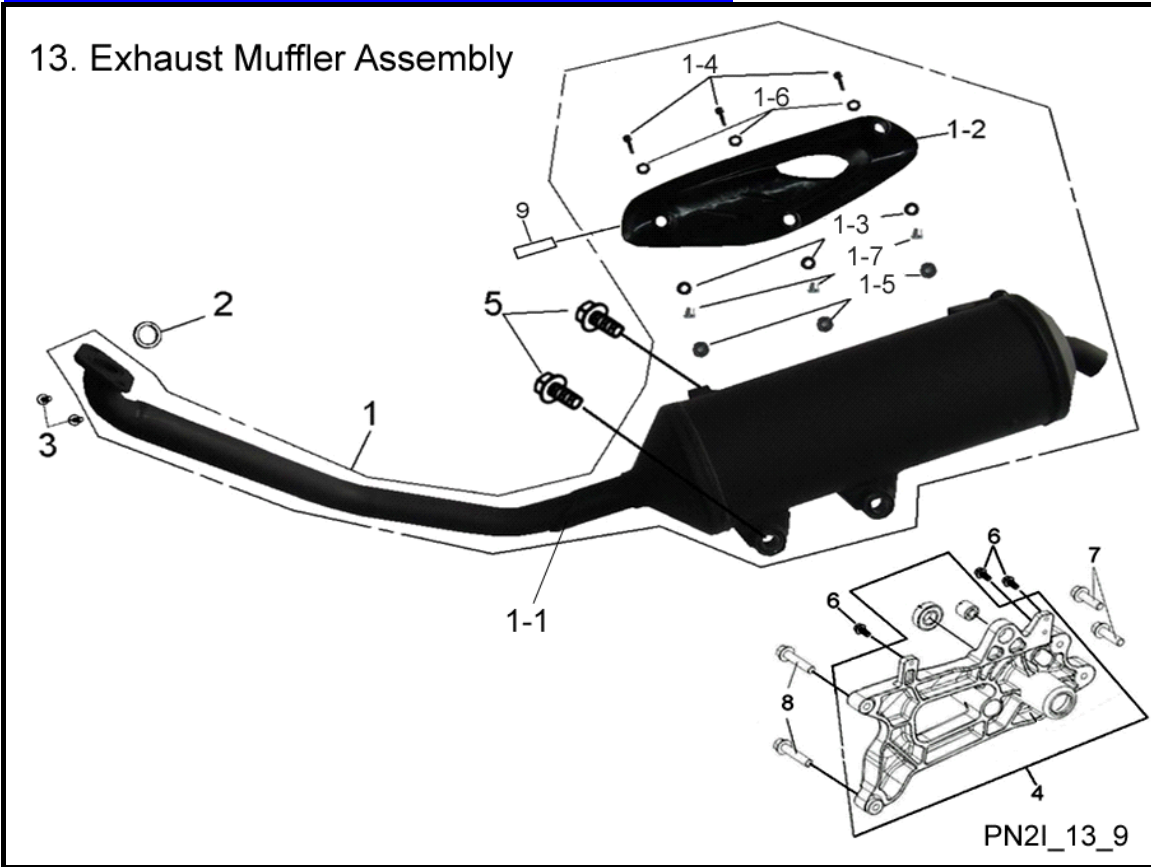
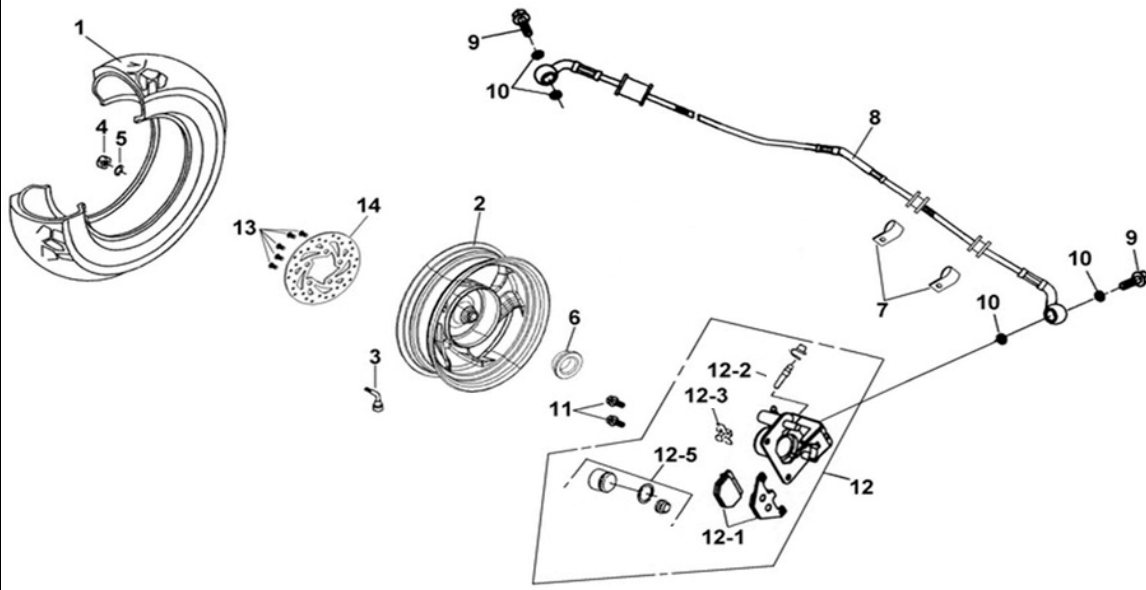


Fig Ref	Item No.	Description	Qty Req
13-1	812905	Exhaust Muffler Assy.	1
13-1-1	812979	Exhaust Pipe	1
13-1-2	812980	Heat Shield	1
13-1-3	812970	Washer	3
13-1-4	812971	Heat Shield FL. Bolt (M6x20)	3
13-1-5	812436	Insulator Gasket	3
13-1-6	812437	Isolator Grommet	3
13-1-7	812438	Insulator Gasket	3
13-2	800200	Exhaust Muffler Gasket	1
13-3	800498	Nut (M611X16)	2
13-4	813820	Exhaust Bracket	1
13-5	650417	Flange Bolt (M8x30)	4
13-6	650271	Flange Bolt (M6 X 12)	2
13-7	650927	Flange Bolt (M8x35)	2
13-8	750307	Flange Bolt (M8x50)	2
13-9	813826	Warning Label (Exhaust)	1

14. Rear Wheel



PN2I_14_9

Fig Ref	Item No.	Description	Qty Req
14-1	812769	Rear Tire (130/70-12)	1
14-2	812929	Rear Rim	1
14-3	750351	Rim Valve & Cap	1
14-4	750303	Lock Nut (M15x24)	1
14-5	750310	Flat Washer (M18x25x1)	1
14-6	812768	Flat Washer (5mm)	1
14-7	812108	Brake Hose Bracket	2
14-8	812930	Rear Hydraulic Brake Line	1
14-9	750314	Brake Hose Union Bolt M10X21	2
14-10	750309	Flat Washer (M10x12x1)	4
14-11	813285	Disc Brake Rotor	1
14-12	812783	Rear Disc Brake Caliper	1
14-12-1	812111	Rear Brake Pads	1
14-12-2	812810	Bleeder Valve & Cap	1
14-12-3	812806	Caliper Retainer Clip	1
14-12-5	812945	Brake Caliper Service Kit	1
14-13	812036	Round Allen Head Bolt (M8x23)	5
14-14	813285	Disc Brake Rotor	1

15. Main Stand and Kick Stand

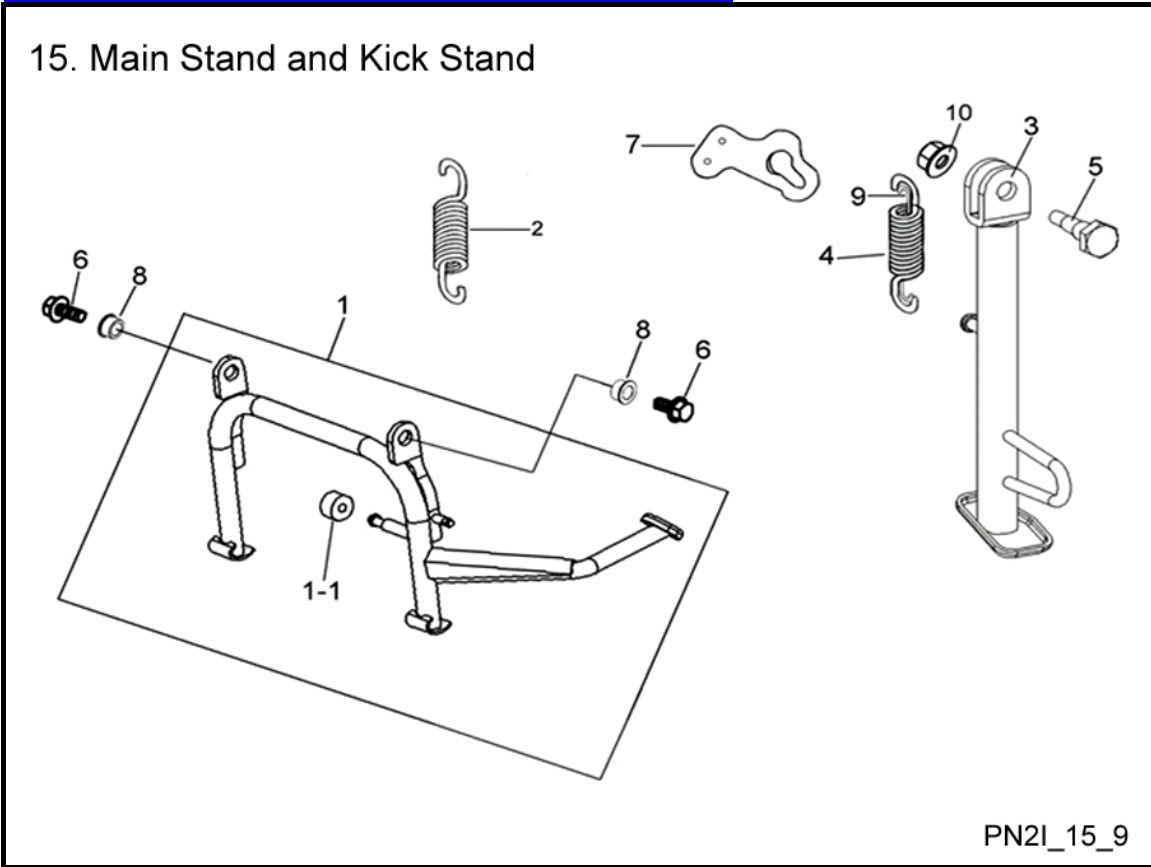
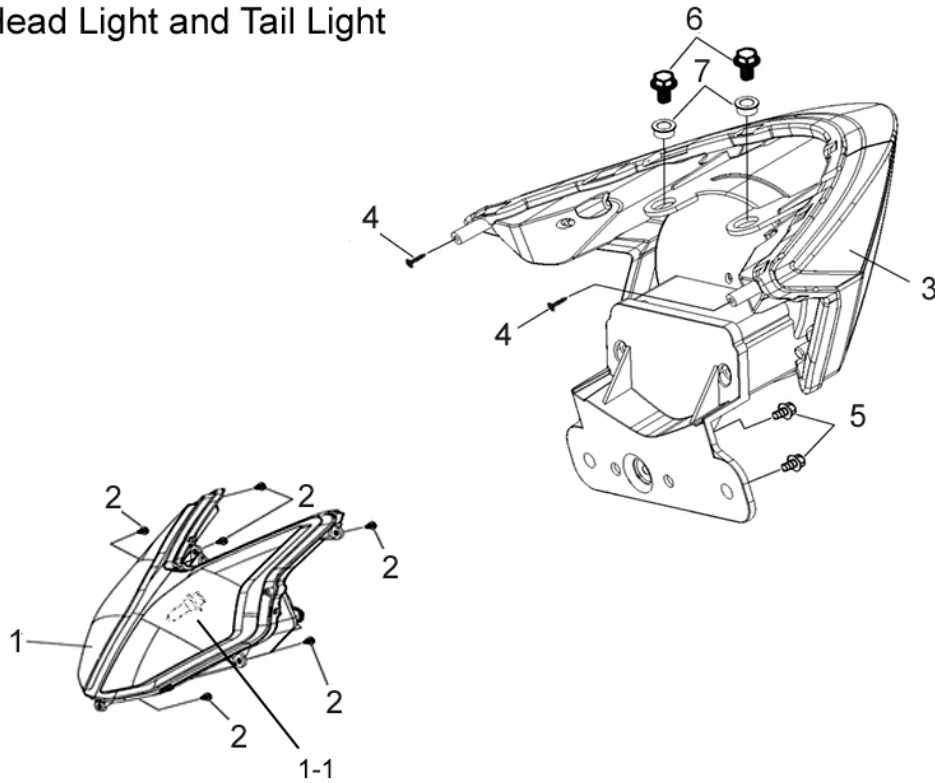


Fig Ref	Item No.	Description	Qty Req
15-1	813818	Main Stand	1
15-1-1	812934	Main Stand Bushing	1
15-2	813829	Main Stand Spring	1
15-3	813300	Side Stand	1
15-4	750367	Side Stand Outer Spring	1
15-5	813356	Hex Bolt (M8x38)	1
15-6	650911	Flange Bolt (M10x30)	2
15-7	750369	Auto-Return Plate	1
15-8	812935	Spacer	2
15-9	750368	Side Stand Inner Spring	1
15-10	813830	Nut (M8x11x5)	1

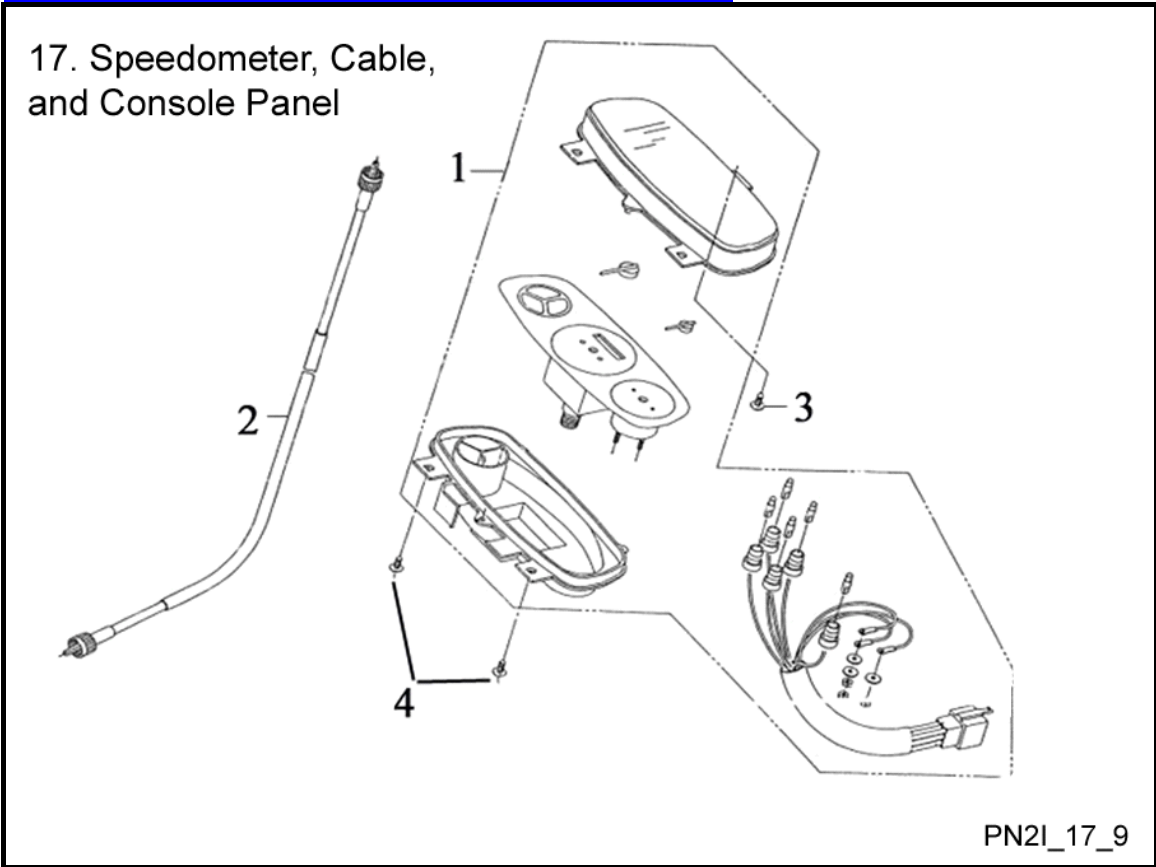
16. Head Light and Tail Light



PN2I_16_9

Fig Ref	Item No.	Description	Qty Req
16-1	813281	Headlight Assembly	1
16-1-1	811981	Headlight Bulb (12Vx35W)	1
16-2	813357	Self Tapping Screw	6
16-3	813278	Tail Light Assembly	1
16-4	610194	Self-Tapping Screw (M4x13)	2
16-5	650901	Bolt & Washer (M6x20)	2
16-6	811336	Bolt & Washer (M6x25)	2
16-7	813260	Collar	2

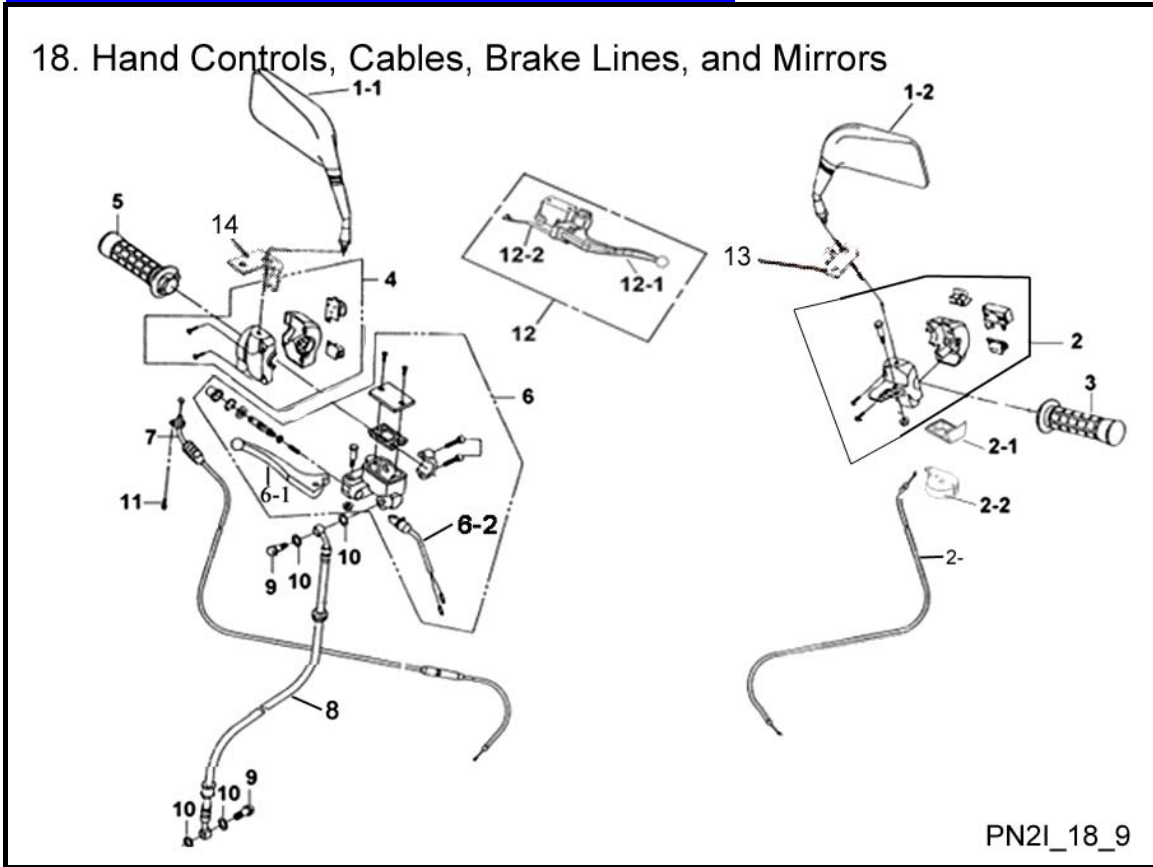
17. Speedometer, Cable, and Console Panel



PN2I_17_9

Fig Ref	Item No.	Description	Qty Req
17-1	813812	Instrument Console	1
17-2	812775	Speedometer Cable	1
17-3	813357	Self Tapping Screw	1
17-4	750293	Self-Tapping Screw (M4x15)	2

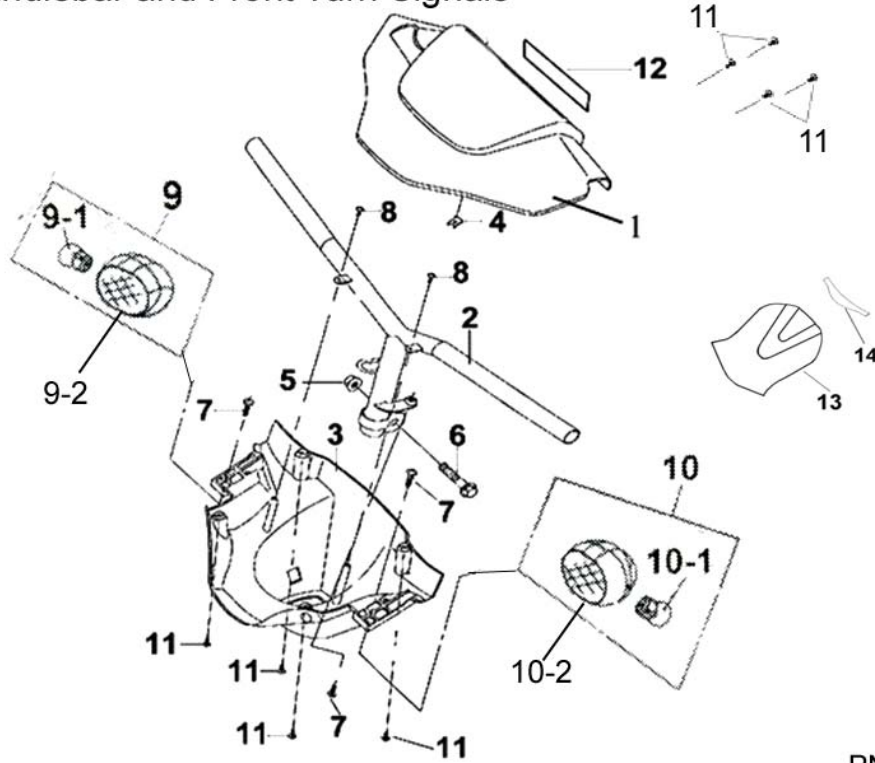
18. Hand Controls, Cables, Brake Lines, and Mirrors



PN2I_18_9

Fig Ref	Item No.	Description	Qty Req
18-1-1	750277	Rear View Mirror (RH)	1
18-1-2	750278	Rear View Mirror (LH)	1
18-2	812781	Handlebar Switch/Brk Lvr (LH)	1
18-2-1	811317	Manual Choke Lever Adaptor	1
18-2-2	811386	Manual Choke Lever	1
18-2-3	811325	Manual Choke Cable	1
18-3	750231	Handlebar Grip, (LH)	1
18-4	750229	Handlebar Switch (RH)	1
18-5	750230	Handlebar Throttle, (RH)	1
18-6	812779	Brake Master Cylinder (Front)	1
18-6-1	812798	Lever (RH)	1
18-6-2	812797	Brake Switch Assembly	1
18-7	812901	Throttle Cable	1
18-8	812776	Brake Hose	1
18-9	750314	Brake Hose Union Bolt M10x21	2
18-10	750309	Flat Washer (M10x12x1)	4
18-11	750397	Pan Head Bolt (M5x10)	1
18-12	812770	Brake Master Cylinder (Rear)	1
18-12-1	750430	Lever, (only)	1
18-12-2	812797	Brake Switch Assembly	1
18-13	812794	Front Turn Signal Bracket (LH)	1
18-14	812795	Front Turn Signal Bracket (RH)	1

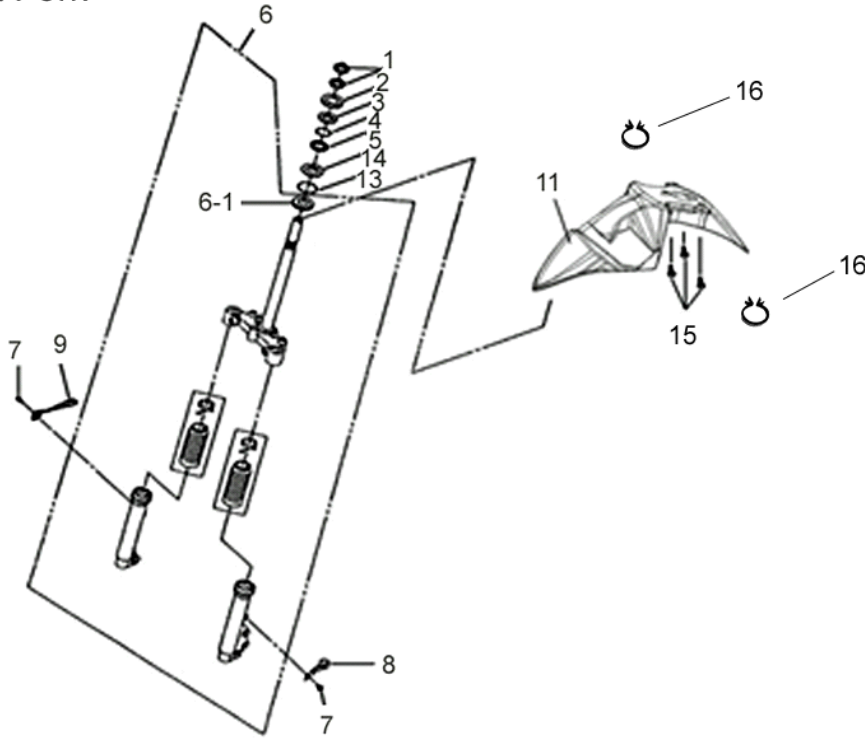
19. Handlebar and Front Turn Signals



PN2I_19_9

Fig Ref	Item No.	Description	Qty Req
19-1	812799	Handlebar Cover (Red)	1
19-1	812800	Handlebar Cover (Blue)	1
19-2	750227	Handlebar	1
19-3	811292	Handlebar Cover (Lower)	1
19-4	750302	Spring Nut (M6)	1
19-5	650255	Locking Flange Nut (M10x19)	1
19-6	750288	Flange Bolt (M10x36)	1
19-7	811203	PanHead Bolt & Washer (M5x12)	3
19-8	813357	Self Tapping Screw	2
19-9	812878	Front Turn Signal Light (RH)	1
19-9-1	812883	Turn Signal Bulb (12Vx10W)	1
19-9-2	813845	Turn Signal Lens (RH)	1
19-10	812879	Front Turn Signal Light (LH)	1
19-10-1	812883	Turn Signal Bulb (12Vx10W)	1
19-10-2	813844	Turn Signal Lens (LH)	1
19-11	750293	Self-Tapping Screw (M4x15)	8
19-12	750273	DOT Label	1
19-13	811293	Handlebar Cover Crest	1
19-14	811294	Handlebar Cover Crest Inset	1

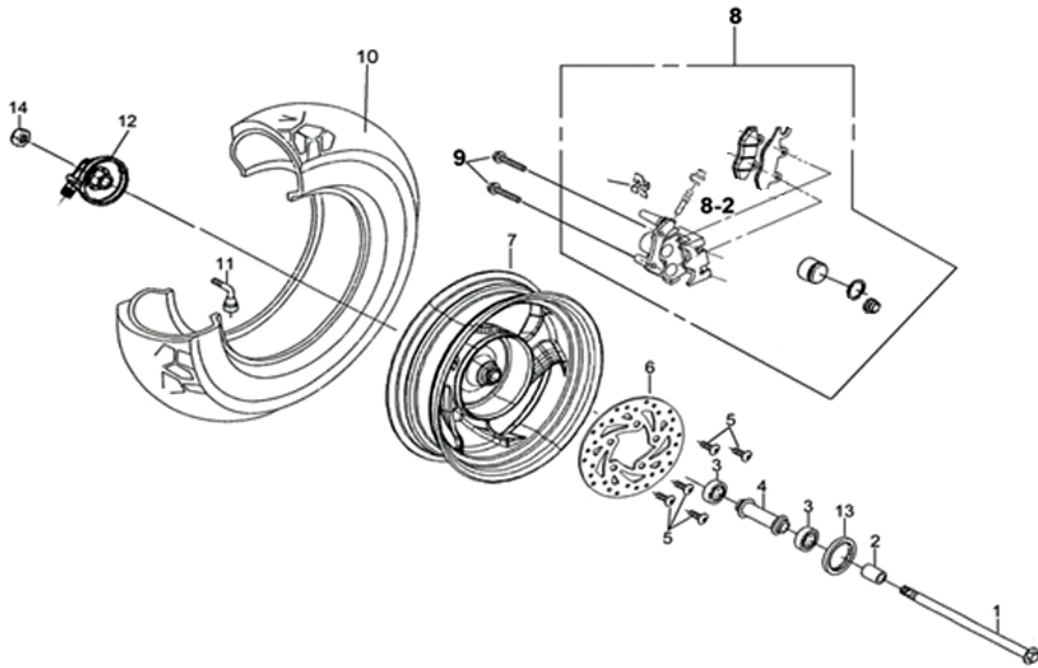
20. Front Fork



PN21_20_9

Fig Ref	Item No.	Description	Qty Req
20-1	750301	Locking Nut (M24x40x6)	2
20-2	750236	Bearing Race Cover	1
20-3	750218	Bearing Race (Upper)	1
20-4	750348	Ball Bearing Cage	1
20-5	750219	Bearing Race (Lower)	1
20-6	813302	Front Fork	1
20-7	750398	Pan Head Bolt (M6x10)	2
20-8	750213	Brake Hose Clamp	1
20-9	750232	Cable Holder	1
20-10	750290	Flange Bolt (M6x15)	3
20-11	813331	Front Wheel Cover (Red)	1
20-11	813332	Front Wheel Cover (Blue)	1
20-12	811307	E-TON Racing Graphpic	2
20-13	813294	Ball Bearing Cage	1
20-14	813293	Bearing Race (Lower)	1
20-15	811336	Bolt & Washer (M6x25)	3
20-16	813401	Brake Line Clip	2

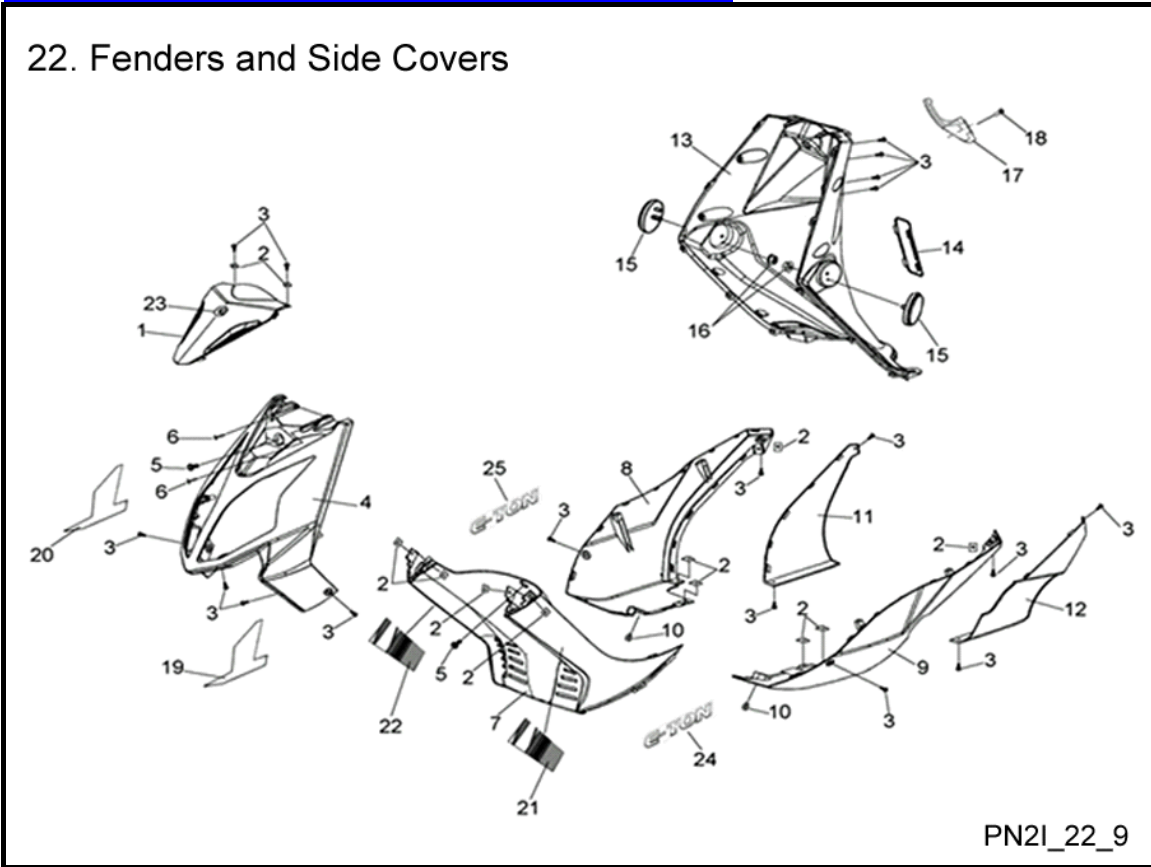
21. Front Wheel



PN21_21_9

Fig Ref	Item No.	Description	Qty Req
21-1	750205	Wheel Axle	1
21-2	750313	Collar (M12x22x20)	1
21-3	750391	Bearing (6201LU)	2
21-4	750206	Collar	1
21-5	812036	Round Allen Head Bolt (M8x23)	5
21-6	812778	Disc Brake Rotor	1
21-7	812772	Front Rim	1
21-8	812782	Front Disc Brake Caliper	1
21-8-1	812803	Front Brake Pads	1
21-8-2	812809	Bleeder Valve & Cap	1
21-8-3	812804	Caliper Retainer Clip	1
21-9	650927	Flange Bolt (M8x35)	2
21-10	812773	Front Tire (120/70-12)	1
21-11	750351	Rim Valve	1
21-12	812774	Speedometer Sensor	1
21-13	650345	Oil Seal (22x35x7)	1
21-14	750370	Locking Flange Nut (M12x22)	1

22. Fenders and Side Covers



PN21_22_9

Fig Ref	Item No.	Description	Qty Req
22-1	813320	Front Cover	1
22-2	750302	Spring Nut (M6)	12
22-3	813357	Self Tapping Screw	18
22-4	813318	Front Fender (Red)	1
22-4	813319	Front Fender (Blue)	1
22-5	650271	Flange Bolt (M6 X 12)	2
22-6	610194	Self-Tapping Screw (M4x13)	2
22-7	813316	Lower Cover (Red)	1
22-7	813317	Lower Cover (Blue)	1
22-8	813312	Side Cover (RH)	1
22-9	813311	Side Cover (LH)	1
22-10	650901	Bolt & Washer (M6x20)	2
22-11	813315	Protective Cover (RH)	1
22-12	813306	Protective Cover (LH)	1
22-13	813321	Leg Shield	1
22-14	813322	VIN Number Cover	1
22-15	750182	Circle Reflector (Amber)	2
22-16	750334	Nut (M6x10)	2
22-17	812802	Helmet Hook	1
22-18	811078	Pan Head Bolt (M6x30)	1
22-19	813824	Front Fender Graphic (LH)	1
22-20	813346	Front Fender Graphic (RH)	1
22-21	813345	Lower Cover Graphic (LH)	1
22-22	813347	Lower Cover Graphic (RH)	1
22-23	813352	ETON Logo Graphic	1
22-24	813350	ETON Graphic (LH)	1

22. Fenders and Side Covers

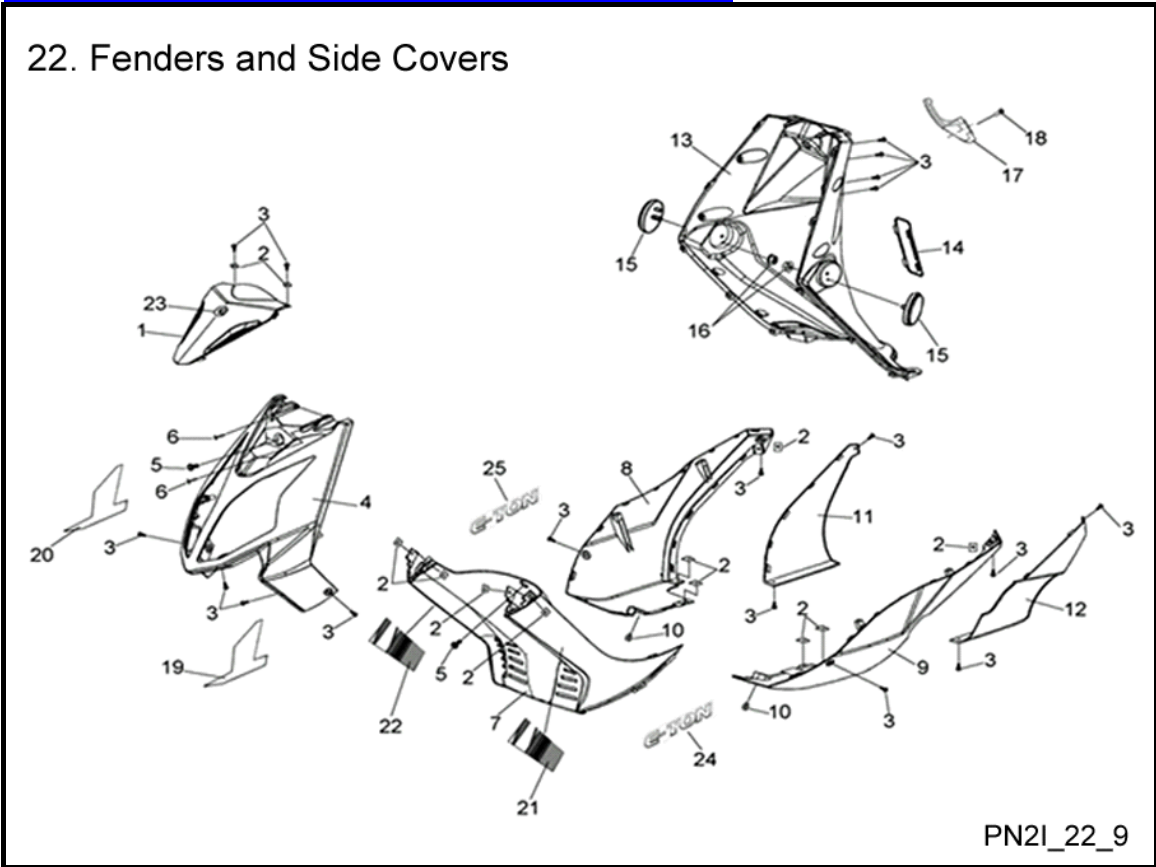


Fig Ref	Item No.	Description	Qty Req
22-25	813351	ETON Graphic (RH)	1

23. Body Cover and Floor Mats

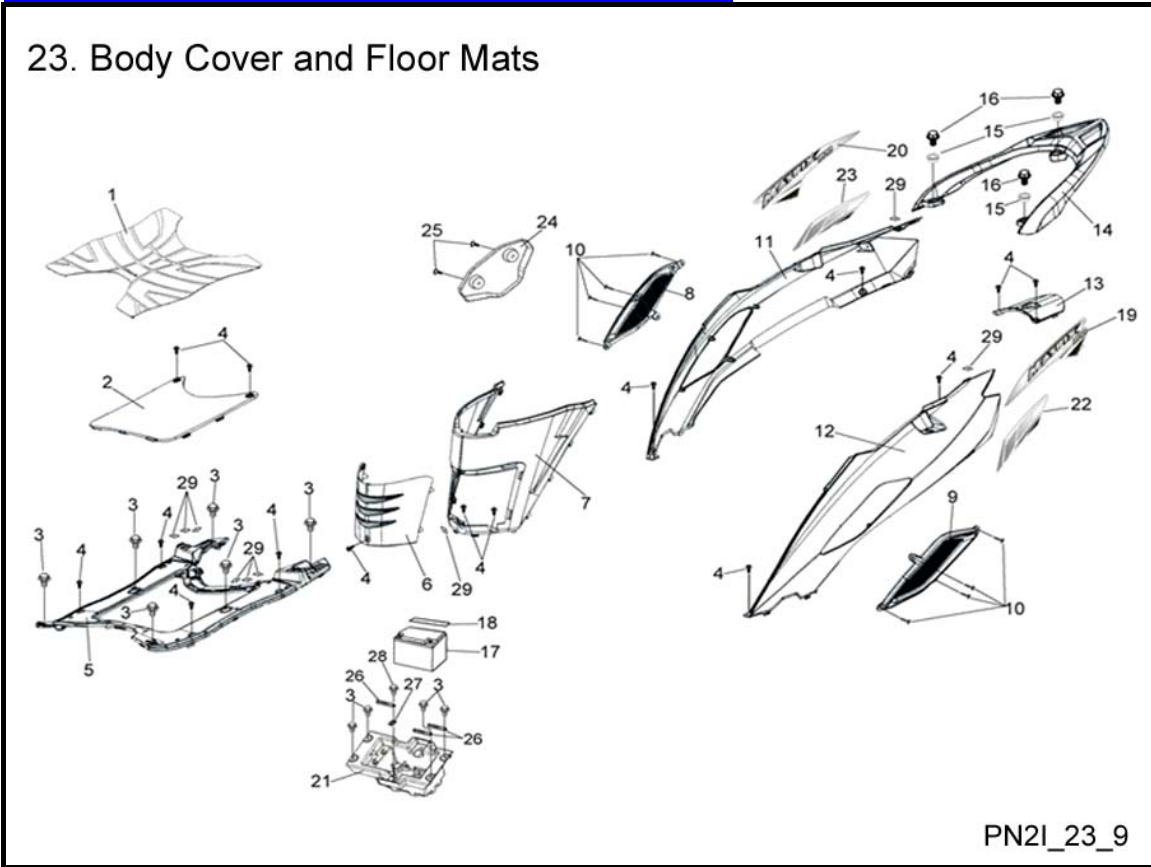
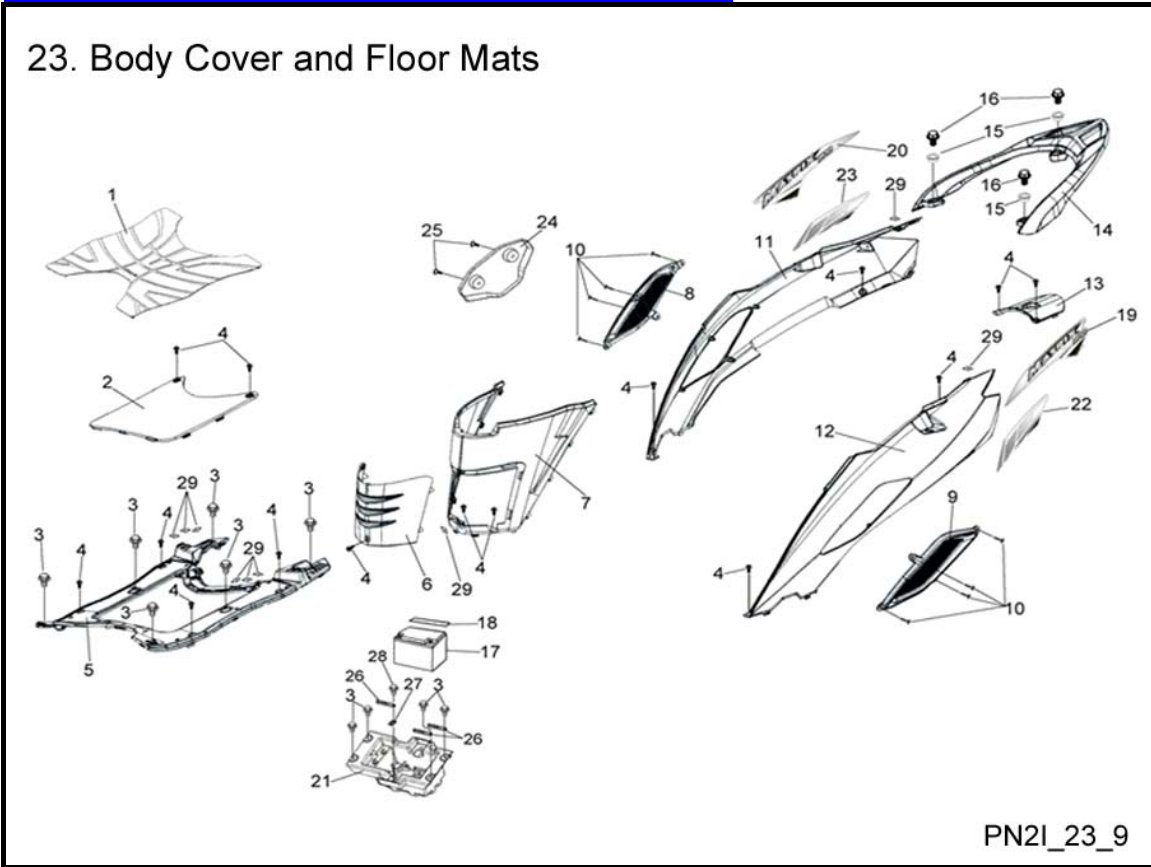


Fig Ref	Item No.	Description	Qty Req
23-1	813326	Footrest Rubber Mat	1
23-2	813324	Battery Cover	1
23-3	650901	Bolt & Washer (M6x20)	10
23-4	813357	Self Tapping Screw	17
23-5	813323	Footrest Board	1
23-6	813327	Access Cover (Red)	1
23-6	813328	Access Cover (Blue)	1
23-7	813329	Front Cover (Red)	1
23-7	813330	Front Cover (Blue)	1
23-8	813314	Body Cover Cap (RH)	1
23-9	813313	Body Cover Cap (LH)	1
23-10	610194	Self-Tapping Screw (M4x13)	8
23-11	813309	Body Panel (Red) RH	1
23-11	813310	Body Panel (Blue) RH	1
23-12	813307	Body Panel (Red) LH	1
23-12	813308	Body Panel (Blue) LH	1
23-13	813304	Rear Center Cover (Red)	1
23-13	813305	Rear Center Cover (Blue)	1
23-14	813298	Rear Carrier Cover	1
23-15	813337	Collar	3
23-16	813359	Flange Bolt (M8x25)	3
23-17	800453	Battery (GTX9-BS)	1
23-18	811887	Battery Retainer Pad	1
23-19	813822	Beamer Graphic (LH)	1
23-20	813823	Beamer Graphic (RH)	1
23-21	813325	Battery Box	1

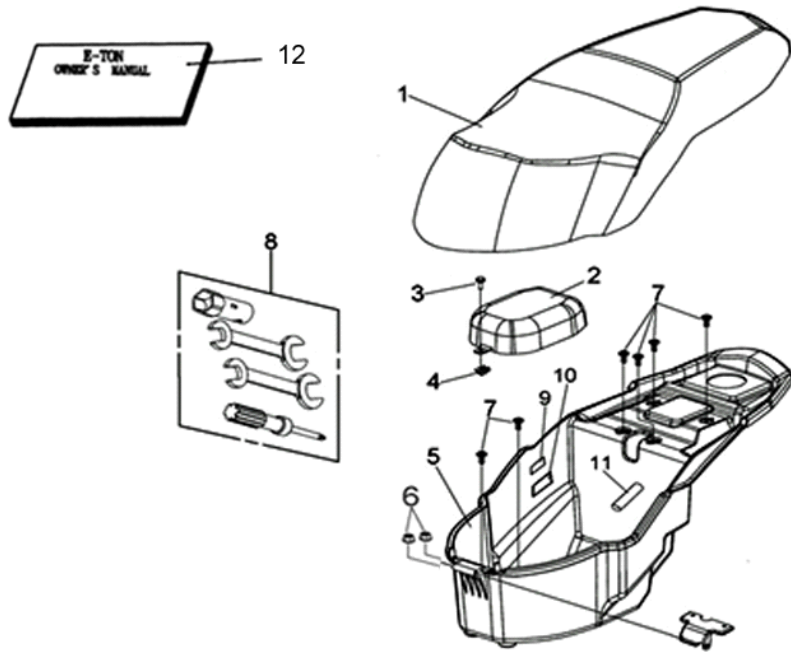
23. Body Cover and Floor Mats



PN21_23_9

Fig Ref	Item No.	Description	Qty Req
23-22	813348	Rear Body Graphic (LH)	1
23-23	813349	Rear Body Graphic (RH)	1
23-24	813821	Side Cover	1
23-25	650943	Button Head Bolt (M6x18)	2
23-26	800494	Ignition Coil Wire Clamp	3
23-27	812211	Spring Nut, U-Type (M6)	1
23-28	650271	Flange Bolt (M6 X 12)	1
23-29	750302	Spring Nut (M6)	9

24. Seat and Helmet Box



PN2I_24_9

Fig Ref	Item No.	Description	Qty Req
24-1	813338	Seat	1
24-2	813341	Carburetor maintenance cover	1
24-3	650943	Button Head Bolt (M6x18)	1
24-4	812211	Spring Nut, U-Type (M6)	1
24-5	813340	Helmet Box	1
24-6	750376	Flange Nut (M6x11)	2
24-7	650262	Bolt Washer & Nut (M6x18)	6
24-8	812954	Tool Kit	1
24-9	813825	Warning Label	1
24-10	812952	Emission Control Label	1
24-11	813335	Rubber Plug	1
24-12	813827	Owners Manual	1

25. Electrical Components

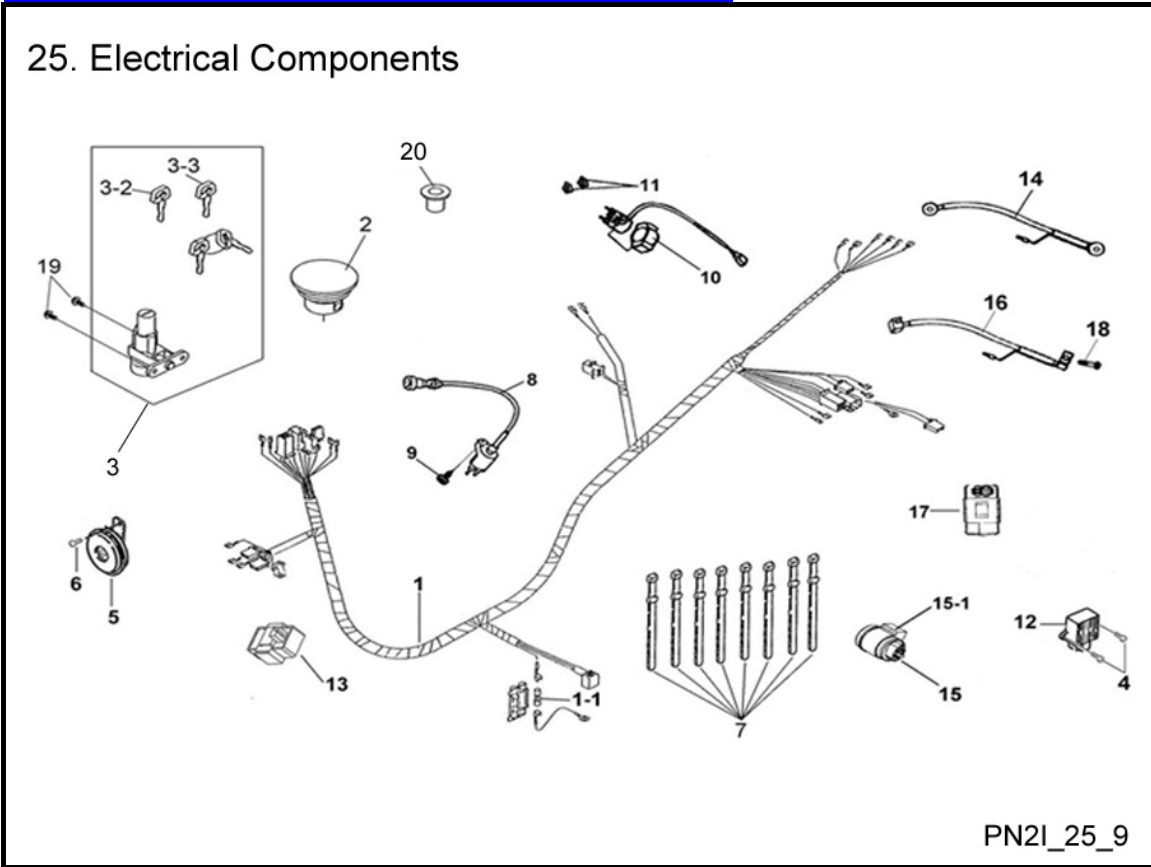
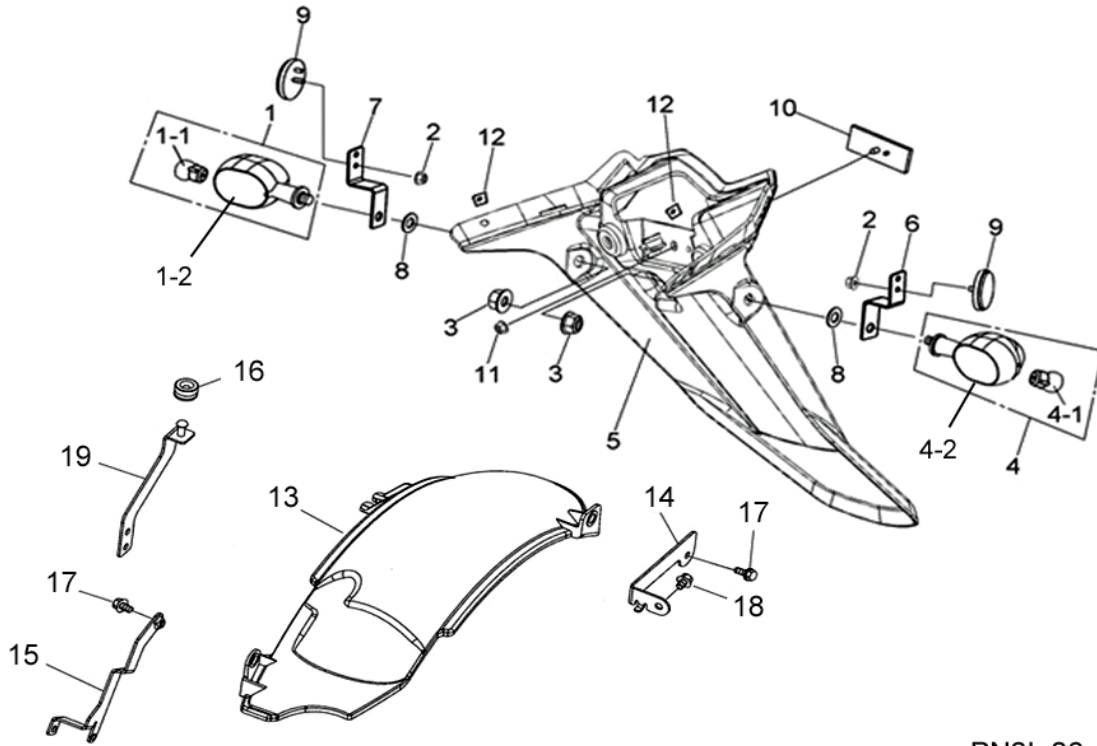


Fig Ref	Item No.	Description	Qty Req
25-1	813809	Wiring Harness	1
25-2	813273	Fuel Tank Cap (Keyless)	1
25-3	813282	Key Set	1
25-3-2	813279	Blank Key (Right Cut)	1
25-3-3	813280	Blank Key (Left Cut)	1
25-4	650453	Pan Head Bolt & Washer (M6x16)	2
25-5	650975	Horn	1
25-6	750395	Pan Head Bolt (M6x10)	1
25-7	650451	Wire Zip Ties	8
25-8	811614	Ignition Coil Assembly	1
25-9	610116	Bolt & Washer (M5x20)	1
25-10	812925	Starter Relay	1
25-11	750334	Nut (M6x10)	2
25-12	750175	Rectifier	1
25-13	813840	Light Controller Module	1
25-14	813810	Positive Cable	1
25-15	812882	Flasher Relay	1
25-15-1	810459	Flasher Mounting Strap	1
25-16	813811	Negative Cable	1
25-17	812918	C.D.I. Module	1
25-18	811752	Allen Head Bolt (M6x12)	1
25-19	750396	Break Head Bolt (M6x20)	2
25-20	813283	Ignition Switch Cap	1

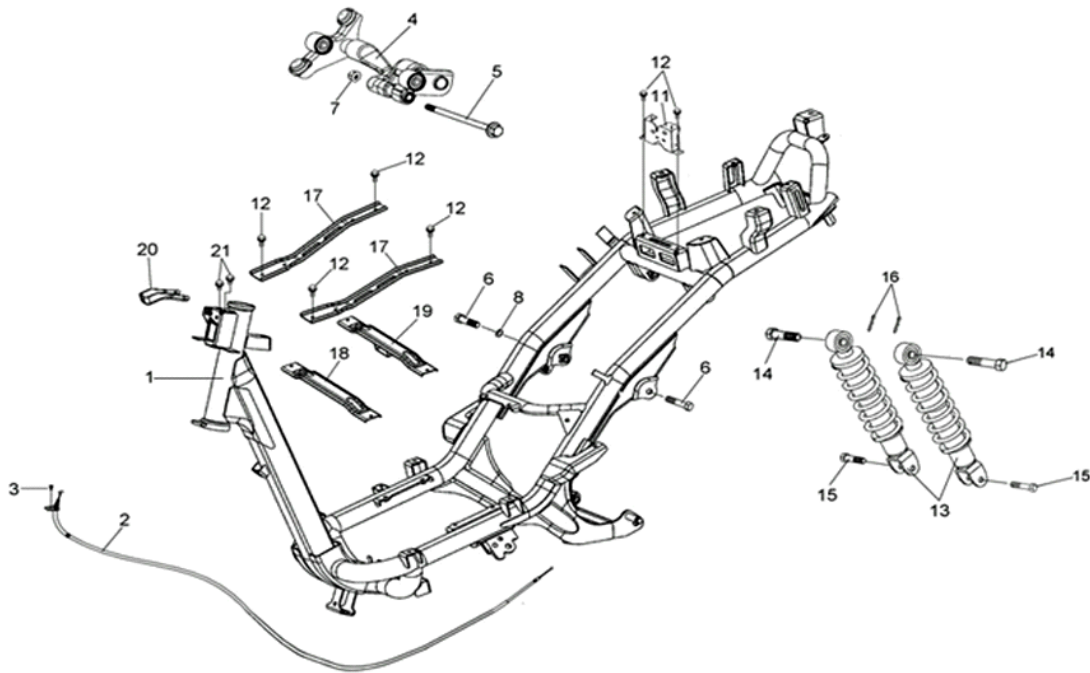
26. License Plate Holder and Rear Fender



PN21_26_9

Fig Ref	Item No.	Description	Qty Req
26-1	812881	Rear Turn Signal Light (LH)	1
26-1-1	812883	Turn Signal Bulb (12Vx10W)	1
26-1-2	813844	Turn Signal Lens (LH)	1
26-2	750334	Nut (M6x10)	2
26-3	750375	Flange Nut (M10x19)	2
26-4	812880	Rear Turn Signal Light (RH)	1
26-4-1	812883	Turn Signal Bulb (12Vx10W)	1
26-4-2	813845	Turn Signal Lens (RH)	1
26-5	813334	License Plate Holder	1
26-6	813296	Rear Reflector Holder (LH)	1
26-7	813297	Rear Reflector Holder (RH)	1
26-8	812194	Spring Washer (M10x16x2)	2
26-9	750183	Circle Reflector (Red)	2
26-10	812244	Rear Rack Reflector	1
26-11	811233	Flange Nut (M5x11)	1
26-12	750302	Spring Nut (M6)	2
26-13	813333	Rear Wheel Cover	1
26-14	813814	Rear Fender Bracket (A)	1
26-15	813815	Rear Fender Bracket (B)	1
26-16	813336	Rubber Insert	1
26-17	650295	Flange Bolt (M6x16)	4
26-18	650271	Flange Bolt (M6 X 12)	1
26-19	813816	Rear Fender Bracket (C)	1

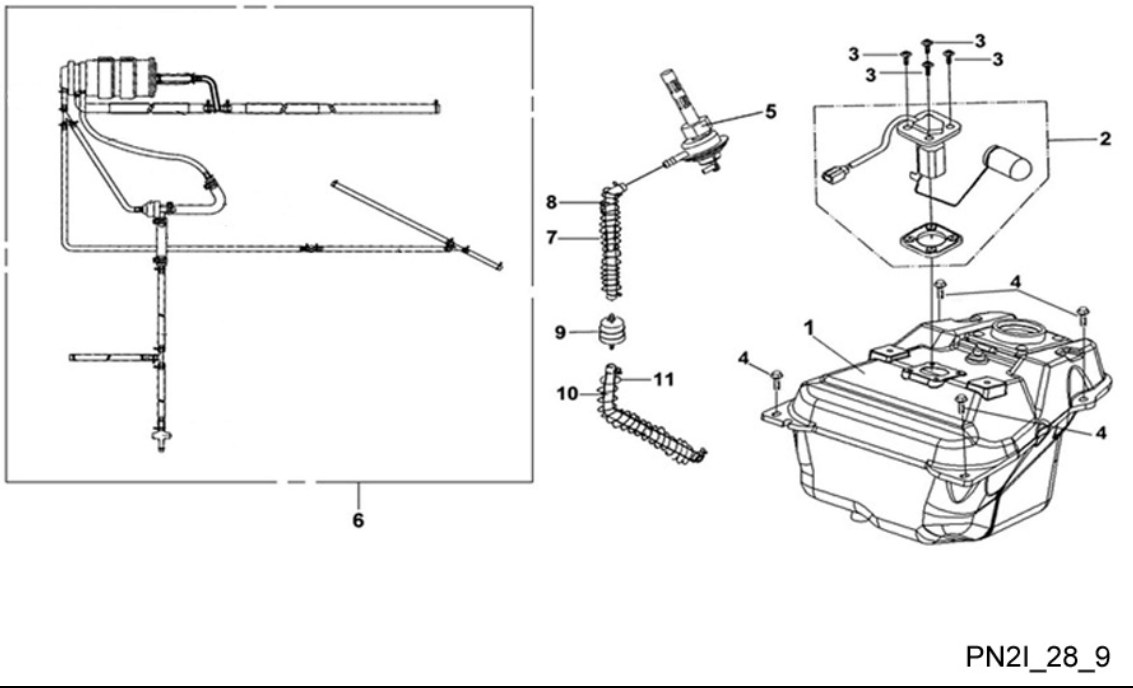
27. Frame and Rear Shock Absorber



PN21_27_9

Fig Ref	Item No.	Description	Qty Req
27-1	813836	Frame	1
27-2	812946	Seat Lock Release Cable	1
27-3	750397	Pan Head Bolt (M5x10)	1
27-4	813817	Engine Hanger	1
27-5	700236	Swing Arm Set Bolt (M10x186)	1
27-6	813828	Flange Bolt (M10x55)	2
27-7	650961	Locking Flange Nut (M10x20)	1
27-8	812966	Spacer	1
27-11	750257	Seat Lock	1
27-12	650295	Flange Bolt (M6x16)	6
27-13	813819	Rear Shock Absorber	2
27-14	750286	Flange Bolt (M10x31)	2
27-15	650927	Flange Bolt (M8x35)	2
27-16	750318	Hair Pin Cotter	2
27-17	813287	Fender Bracket (A)	2
27-18	813289	Fender Bracket (C)	1
27-19	813813	Upper Battery Bracket	1
27-20	813290	Fender Bracket (D)	1
27-21	650271	Flange Bolt (M6 X 12)	2

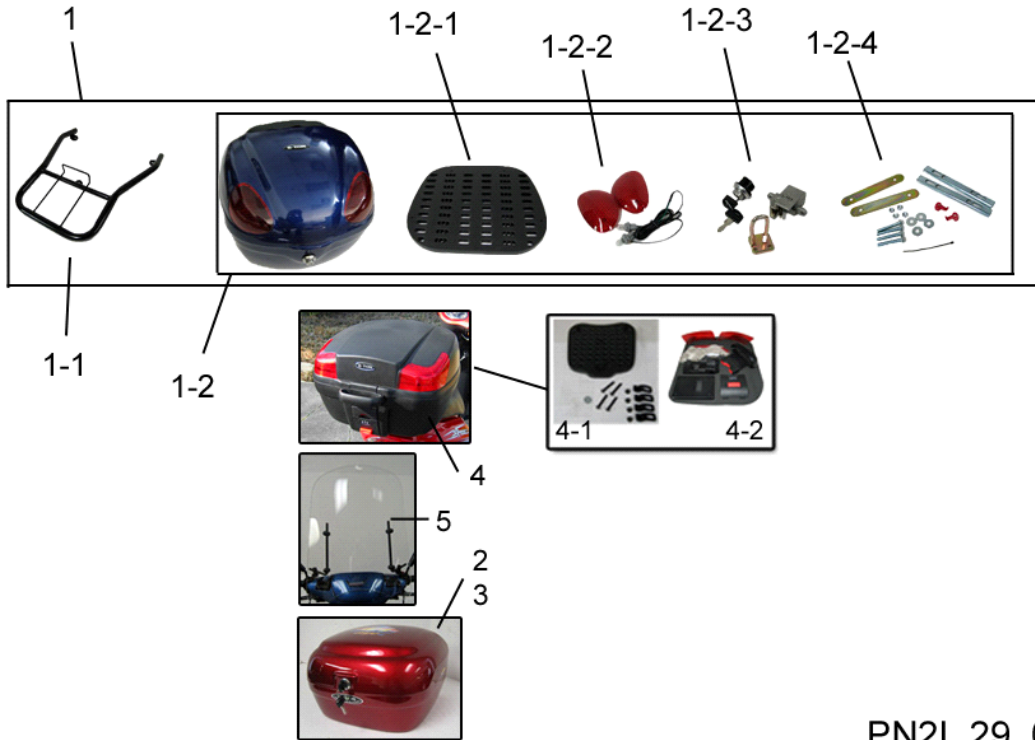
28. Fuel Tank



PN21_28_9

Fig Ref	Item No.	Description	Qty Req
28-1	813269	Fuel Tank (Metal)	1
28-2	812927	Fuel Level Sending Unit	1
28-3	750294	Bolt & Washer (M5x15)	4
28-4	650901	Bolt & Washer (M6x20)	4
28-5	810419	Fuel Petcock (Vacuum)	1
28-6	813803	Waste Gas Recovery System	1
28-7	750320	Fuel Line Protector	1
28-8	813270	Main Fuel Line	1
28-9	800002	Fuel Filter Element	1
28-10	750138	Fuel Line - B	1
28-11	750321	Fuel Line Protector	1

29. Optional Accessories



PN2I_29_09

Fig Ref	Item No.	Description	Qty Req
29-1	813864	Red Luggage Box Kit	1
29-1	813865	Blue Luggage Box Kit	1
29-1-1	813857	Luggage Box Mounting Rack	1
29-1-2	813851	Standard Red Luggage Box	1
29-1-2	813852	Standard Blue Luggage Box	1
29-1-2-1	813853	Luggage Box Mounting Plate	1
29-1-2-2	813854	Luggage Box Light Set	1
29-1-2-3	813855	Luggage Box Lock & Key Set	1
29-1-2-4	813856	Luggage Box Mounting Hardware	1
29-2	814412	Black Economy Luggage Box	1
29-3	814413	Red Economy Luggage Box	1
29-4	814125	Deluxe Detachable Luggage Box	1
29-4-1	814415	Detachable Box Hardware Kit	1
29-4-2	814416	Box Lock, Reflector & Pad Set	1
29-5	814414	Deluxe Scooter Windshield	1