



ETON America

PARTS CATALOG

Beamer III

Parts and drawing are subject to change without notice. ETON America reserves the right to substitute parts that have engineering changes that can alter the appearance of the part but performs the same function as the original parts. ETON America can not be held liable for errors or typographical errors in this publication.

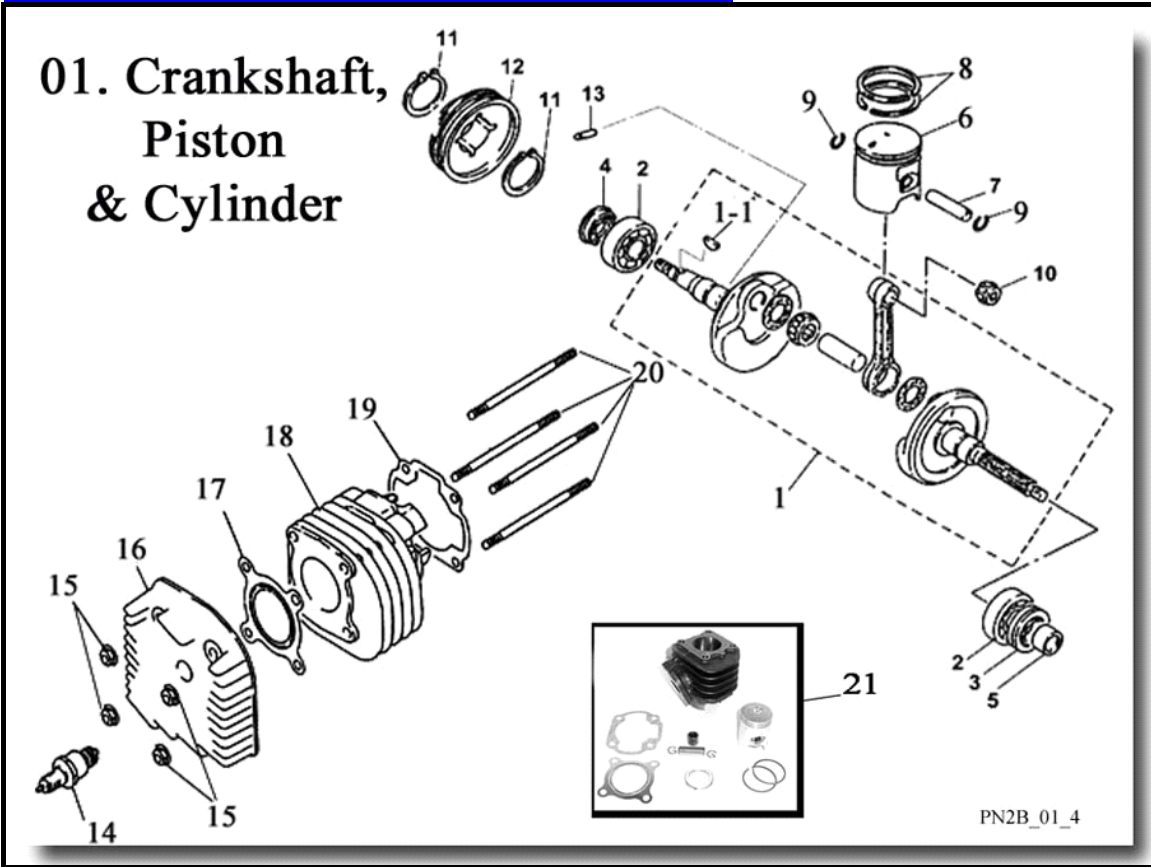
Table of Contents

Beamer III



Figure No. Content Reference

01	Crankshaft Piston and Cylinder
02	Engine Shroud and Fan Cover
03	Carburetor Reed Valve and Air Filter
04	Crankcase and Oil Pump
05	Starter Motor and AC Generator
06	Kick Starter and Starter Clutch
07	CVT Pulley System
08	Transmission
09	Engine & EPA Approved Exhaust
10	Front Wheel and Tire
11	Rear Wheel and Tire
12	Main and Side Kick Stands
13	Head and Tail Lights
14	Speedometer Cable and Console Lights
15	Handlebar Controls, Cables, Brake Lines, and Mirrors
16	Handlebar and Front Turn Signals
16a	Handlebar and Front Turn Signals (2006-2008 Model Year)
16b	Handlebar and Front Turn Signals (2009 Model Year)
17	Steering Fork and Front Wheel Cover
18	Front Fender and Foot Guard
19	Body Cover Foot Mat and Rear Rack
20	Seat Tools Helmet Box and Owner's Manual
21a	License Plate Holder and Rear Turn Signals (2006-2008 Model Year)
21b	License Plate Holder and Rear Turn Signals (2009 Model Year)
22	Frame and Rear Shock
23	Fuel and Oil Tanks
24	Electrical Components
25	Beamer II Optional Accessories



PN2B_01_4

Fig Ref	Item No.	Description	Qty Req
1-1	750118	Crankshaft	1
1-1-1	650110	Woodruff Key	1
1-2	650111	Radial Ball Bearing (6204)	2
1-3	650112	Oil Seal LH [20x42/43x8/9]	1
1-4	650113	Oil Seal RH	1
1-5	650114	Collar (M15x20x12)	1
1-6	650115	Piston 50cc	1
1-7	650116	Piston Wrist Pin	1
1-8	650117	Piston Ring (Set of 2)	1
1-9	650118	Circle-Clip (Pair)	2
1-10	811335	Connecting Rod Bearing	1
1-11	650138	Circle-Clip	2
1-12	650136	Pump Drive Gear	1
1-13	650137	Dowel Pin	1
1-14	650103	Spark Plug NGK (BPR7HS)	1
1-15	650107	Flange Nut (M7x15)	4
1-16	650101	Cylinder Head 50cc	1
1-17	650102	Cylinder Head Gasket 50cc	1
1-18	650104	Cylinder 50cc	1
1-19	650105	Cylinder Base Gasket	1
1-20	750281	Stud Bolt (M5x110)	4
1-21	810789	50cc Top End Kit	1

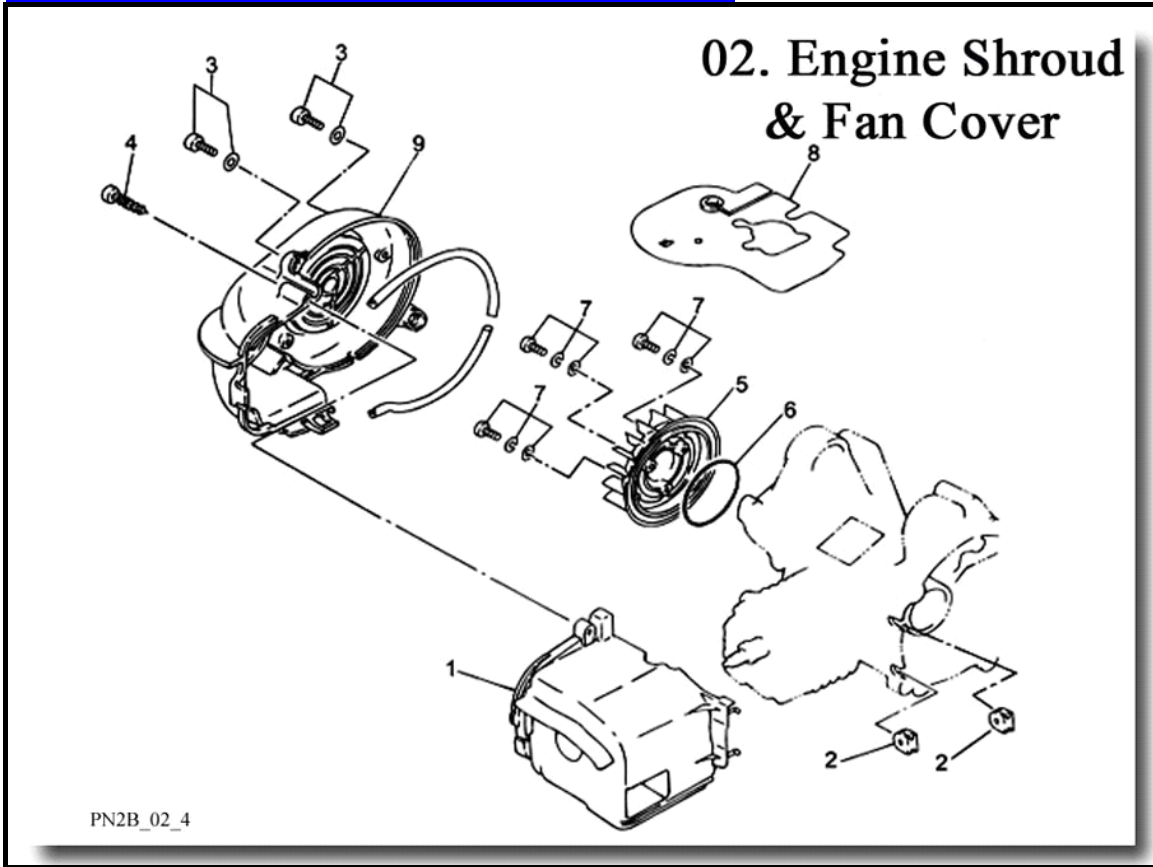
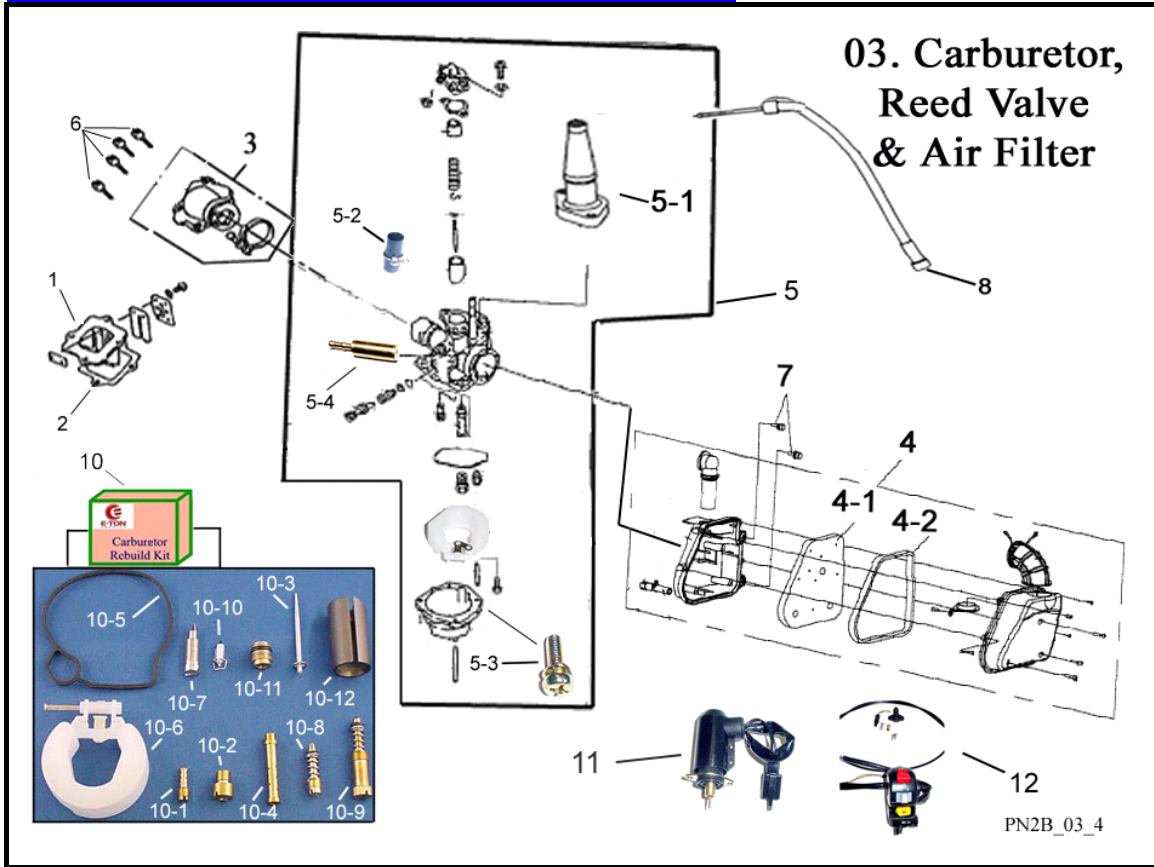


Fig Ref	Item No.	Description	Qty Req
2-1	650120	Engine Shroud	1
2-2	650121	Rubber Mount Block	2
2-3	650123	Pan Head Bolt & Washer (M6x20)	2
2-4	811080	Self Tapping Screw (M6x40)	1
2-5	650125	Fan	1
2-6	650126	O-Ring	1
2-7	650127	Pan Head Bolt & Washer (M6x16)	3
2-8	650128	Deflector	1
2-9	811326	Fan Cover	1



PN2B_03_4

Fig Ref	Item No.	Description	Qty Req
3-1	650140	Reed Valve	1
3-2	650141	Reed Valve Gasket	1
3-3	650142	Intake Manifold	1
3-4	750132	Air Filter	1
3-4-1	650145	Air Cleaner Element	1
3-4-2	650146	Air Filter Box Seal	1
3-5	812418	Carburetor (Manual Choke 50CC)	1
3-5-1	813253	Manual Choke (Beamer - 50cc)	1
3-5-2	651011	Intake Cap	1
3-5-3	650987	Carburetor Bowl Bolt	4
3-5-4	650012	Oil Check Valve	1
3-6	650143	Flange Bolt (M6x20)	4
3-7	700359	Socket Bolt & Washer (M6x20)	2
3-8	811325	Manual Choke Cable	1
3-10	812334	Carburetor Kit (50CC)	1
10-1	812430	Pilot Jet #20	1
10-2	810409	Main Jet #85	1
10-3	812429	Jet Needle (*3CR1)	1
10-4	811125	Needle Jet (*426 E-1)	1
10-5	610405	Bowl Gasket	1
10-6	610406	Carburetor Float	1
10-7	610407	Carburetor Bowl Drain Bolt	1
10-8	812390	Air Adjustment Screw	1
10-9	812399	Throttle Adjustment Screw	1
10-10	610404	Float Valve Needle	1
10-11	812401	Needle Valve Seat	1

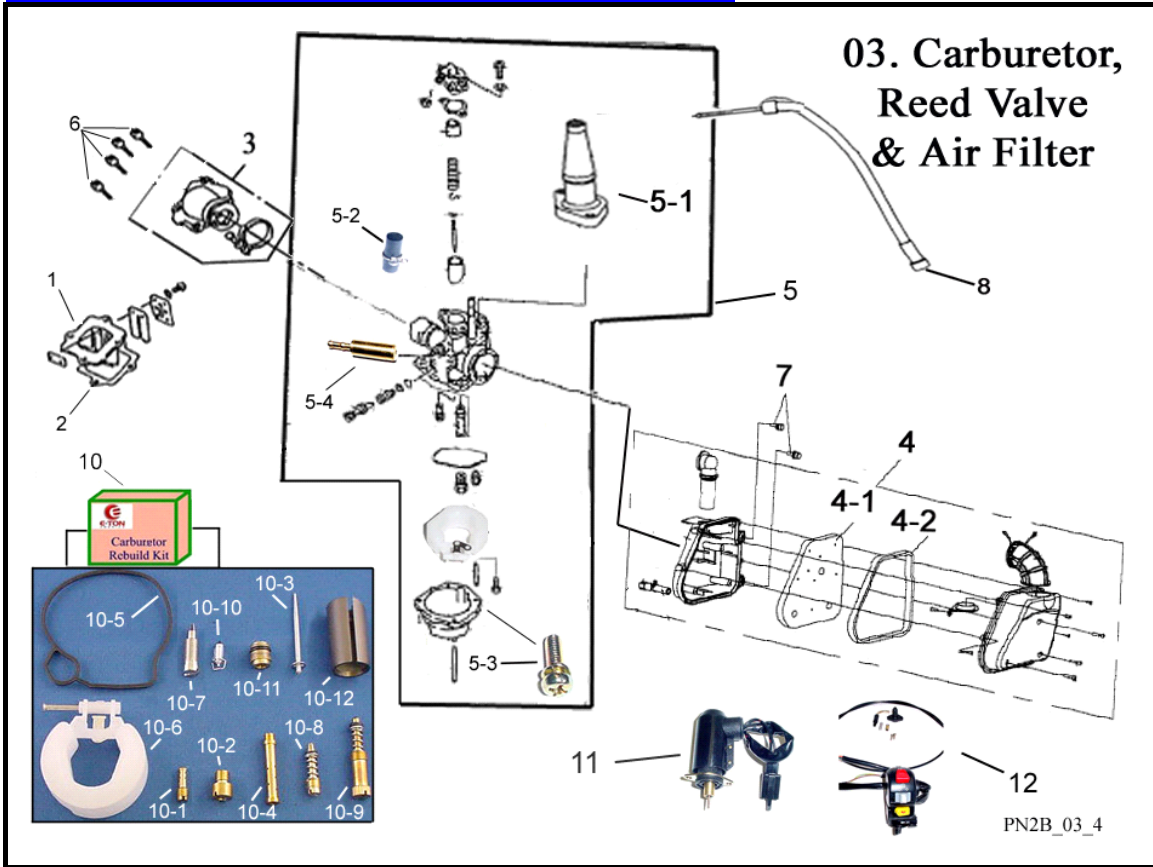


Fig Ref	Item No.	Description	Qty Req
10-12	812402	Throttle Valve	1
3-11	811090	Electric Choke	1
3-12	811347	Beamer Manual Choke Kit	1
03-NP	810410	Main Jet #80	1
03-NP	810408	Main Jet #90	1

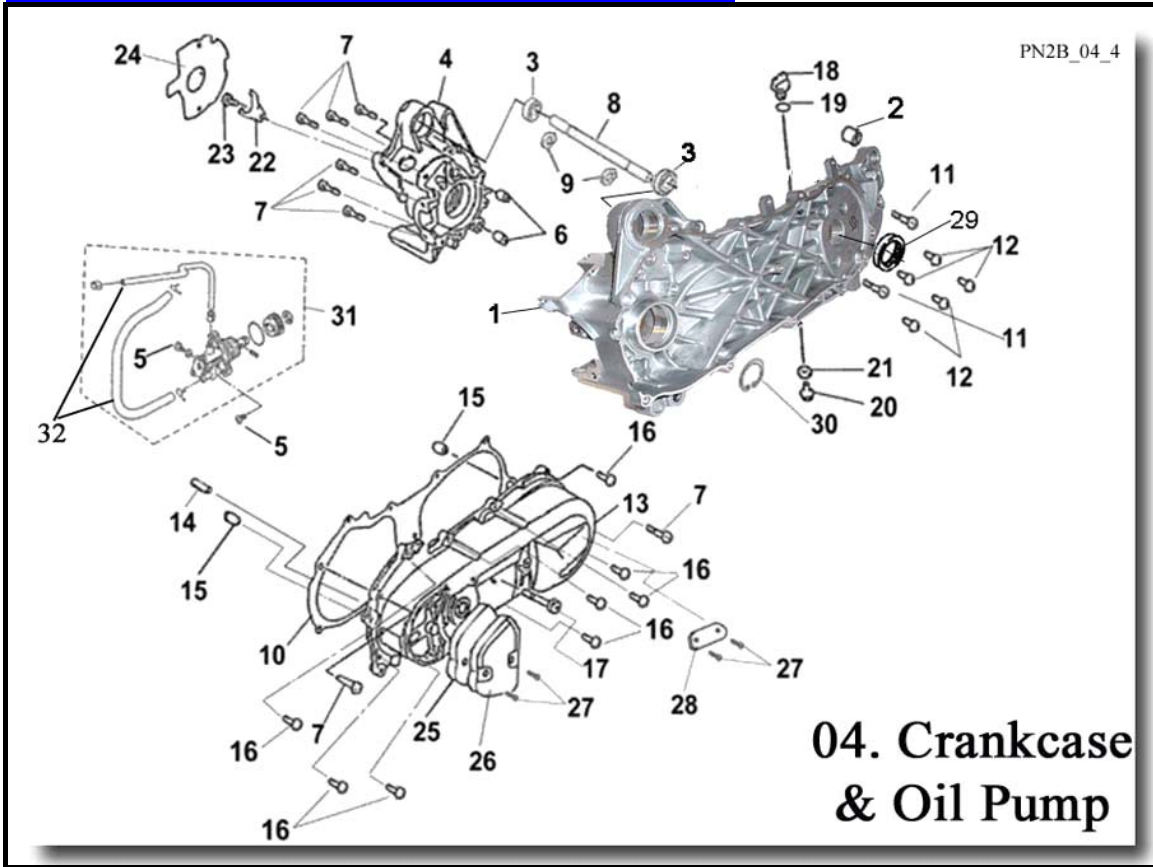
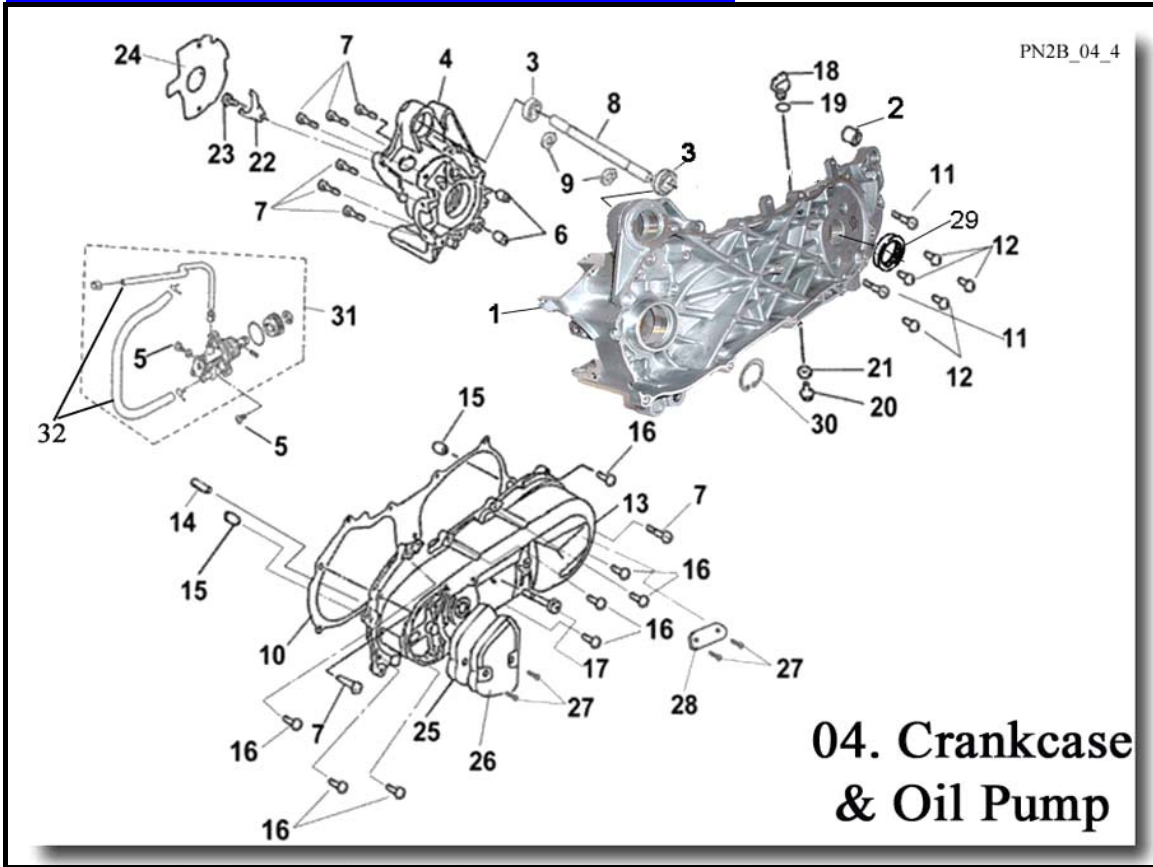


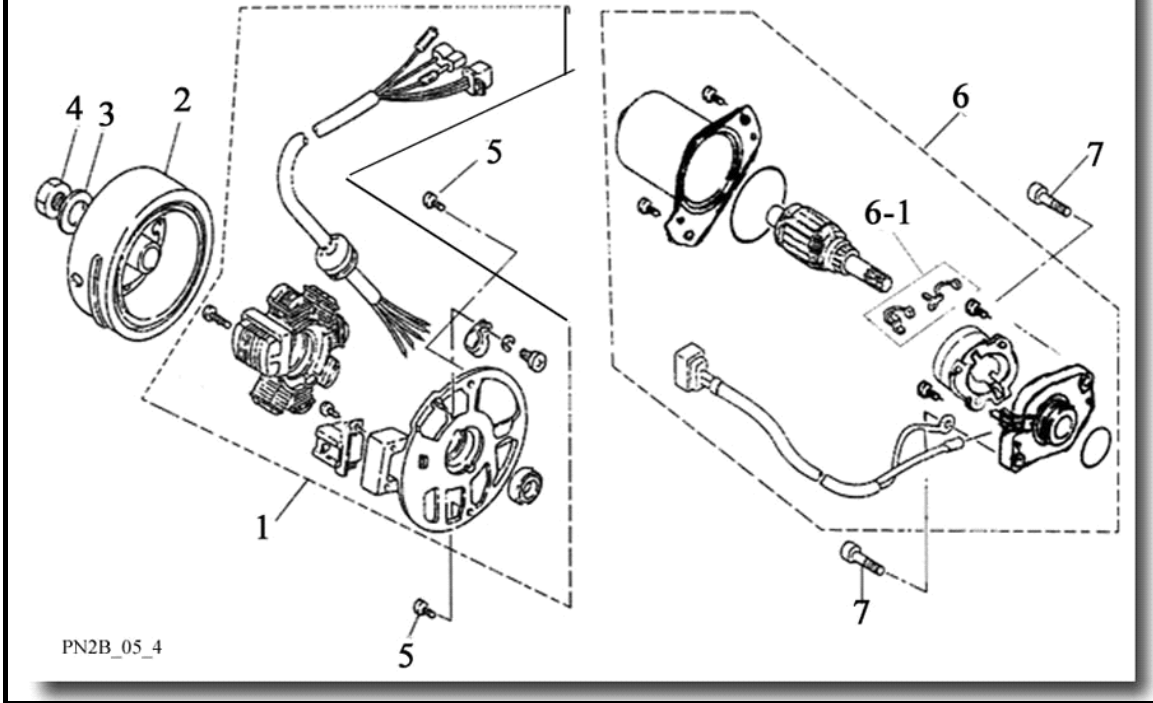
Fig Ref	Item No.	Description	Qty Req
4-1	750103	Crankcase (LH)	1
4-2	650150	Rear Shock Absorber Bushing	1
4-3	750385	Bearing (6003LU)	2
4-4	650152	Crankcase (RH-50cc)	1
4-5	650135	Pan Head Bolt (M5x14)	2
4-6	650153	Dowel Pin (10x14)	2
4-7	650154	Pan Head Bolt (M6x35)	8
4-8	750106	Engine Mount Spacer	1
4-9	650198	Circle-Clip	2
4-10	650157	Crankcase Cover Gasket (LH)	1
4-11	750374	Flange Bolt (M8x55)	2
4-12	750373	Flange Bolt (M8x45)	5
4-13	650160	Crankcase Cover (LH)	1
4-14	650161	Dowl Pin (8x31)	1
4-15	650158	Dowel Pin (M10x14)	2
4-16	650163	Pan Head Bolt (M6x25)	8
4-17	650164	Pan Head Bolt (M6x65)	1
4-18	650165	Oil Filler Plug	1
4-19	650166	Oil Filler Plug O-Ring (13.8x2)	1
4-20	650167	Flange Bolt (M8x16)	1
4-21	650168	Flat Washer (M7x12x1)	1
4-22	650169	Retainer Plate	1
4-23	650170	Pan Head Bolt (M6x12)	1
4-24	650171	Crankcase Cover Gasket (RH)	1
4-25	650172	C.V.T. Filter Element	1
4-26	650173	C.V.T. Filter Cover	1



04. Crankcase & Oil Pump

Fig Ref	Item No.	Description	Qty Req
4-27	650174	Pan Head Bolt (M5x7)	4
4-28	650175	Inspection Hole Cover Plate	1
4-29	750329	Oil Seal [17x35x7]	1
4-30	650220	Circle-Clip (45.5x17.5)	1
4-31	811322	Oil Pump (50CC)	1
4-32	811310	Clear line Oil Pump Lines	1

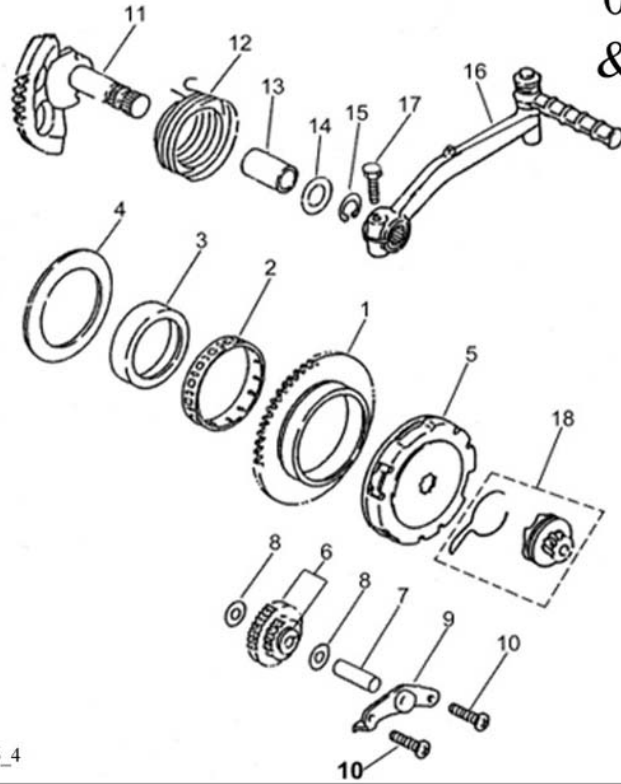
05. Starter Motor & A/C Generator



PN2B_05_4

Fig Ref	Item No.	Description	Qty Req
5-1	811331	AC Generator	1
5-2	650235	Flywheel	1
5-3	811129	Flat Washer (M10x16x2)	1
5-4	650211	Hex Nut (M10x16x1.25)	1
5-5	650238	Pan Head Bolt (M6x16)	2
5-6	650239	Starter Motor	1
5-6-1	811130	Commutator Brushes (Pair)	1
5-7	650240	Flange Bolt (M6x20)	2

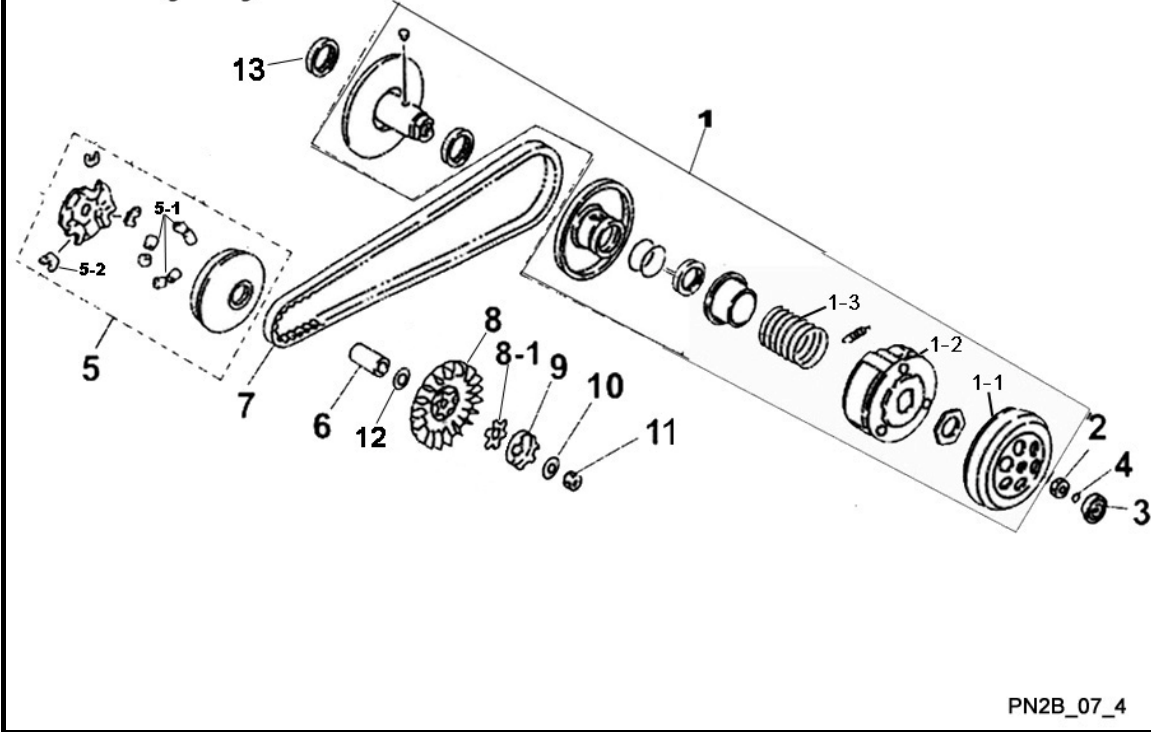
06. Kick Starter & Starter Clutch



PN2B_06_4

Fig Ref	Item No.	Description	Qty Req
6-1	650177	Starter Wheel Gear	1
6-2	650178	Needle Bearing	1
6-3	650179	Boss Gear	1
6-4	650180	Flat Washer (M56x75x1)	1
6-5	650181	Starter Clutch	1
6-6	650182	Starter Motor Reduction Gear	1
6-7	650183	Reduction Gear Shaft	1
6-8	650184	Flat Washer (M7x15x1)	2
6-9	650185	Reduction Gear Retainer Plate	1
6-10	610201	Pan Head Bolt & Washer (M6x14)	2
6-11	750147	Kick Starter Spindle	1
6-12	650188	Torsion Spring	1
6-13	650189	Solid Bushing	1
6-14	650190	Flat Washer (M15x29x1)	1
6-15	650191	Circle-Clip	1
6-16	650192	Kick Crank	1
6-17	650193	Bolt (M6x25)	1
6-18	650194	Kick Pinion Gear	1

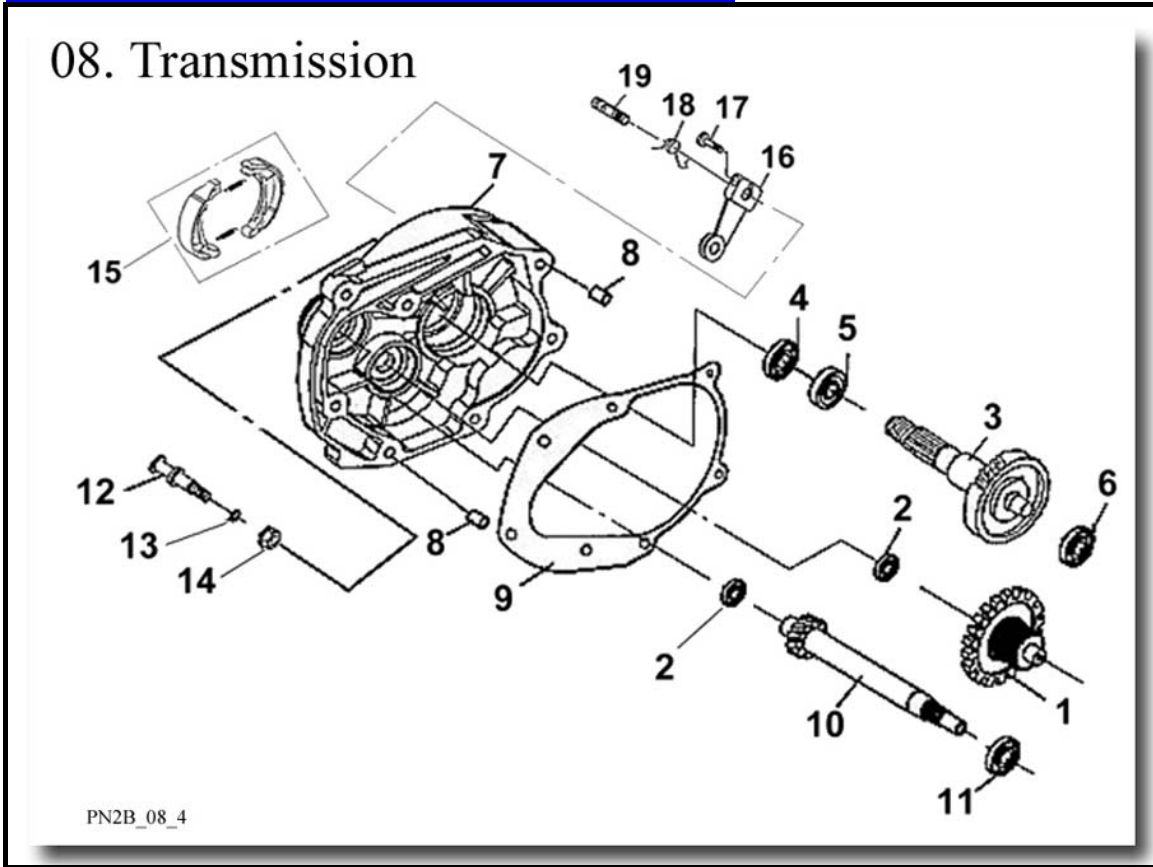
07. C.V.T. Driven Pulley System



PN2B_07_4

Fig Ref	Item No.	Description	Qty Req
7-1	650498	Secondary Drive Pulley	1
7-1-1	811531	Drive Clutch Drum	1
7-1-2	811528	Drive Clutch Assembly	1
7-1-3	811529	Drive Face Spring	1
7-2	650202	Flange Nut (M10x22)	1
7-3	650203	Radial Ball Bearing (638Z)	1
7-4	650204	O-Ring	1
7-5	811329	Drive Clutch Sliding Face	1
7-5-1	812793	Clutch Rollers 5.5g (Set 6)	1
7-5-2	811527	Slide Retainer Clips (Set 3)	1
7-6	650206	Collar (M12x19x38)	1
7-7	650207	V-Belt (780x16.5x30)	1
7-8	650208	Drive Clutch Fixed Face	1
7-8-1	811126	Drive Face Washer	1
7-9	650209	Kick Starter Ratchet	1
7-10	650210	Conical Washer (M10x22)	1
7-11	650211	Hex Nut (M10x16x1.25)	1
7-12	811127	Flat Washer (M12x16x1)	1
7-13	750329	Oil Seal [17x35x7]	1

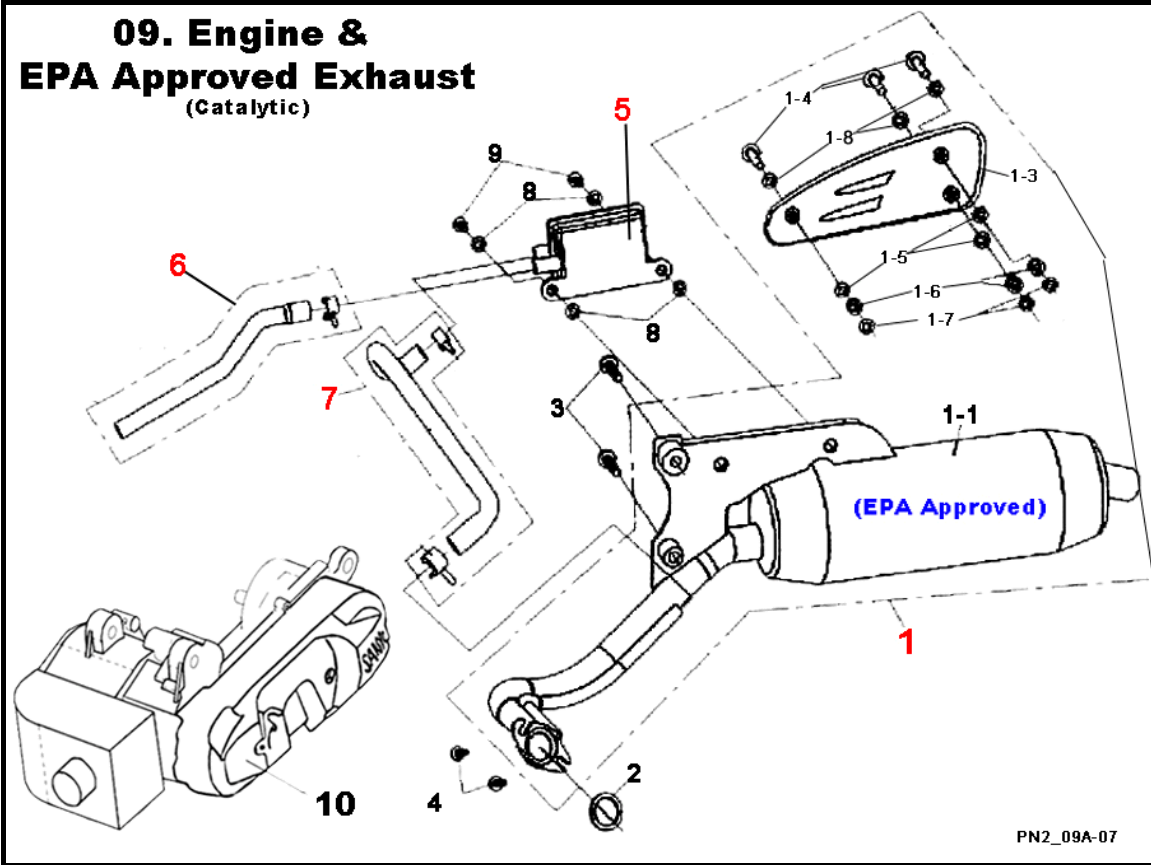
08. Transmission



PN2B_08_4

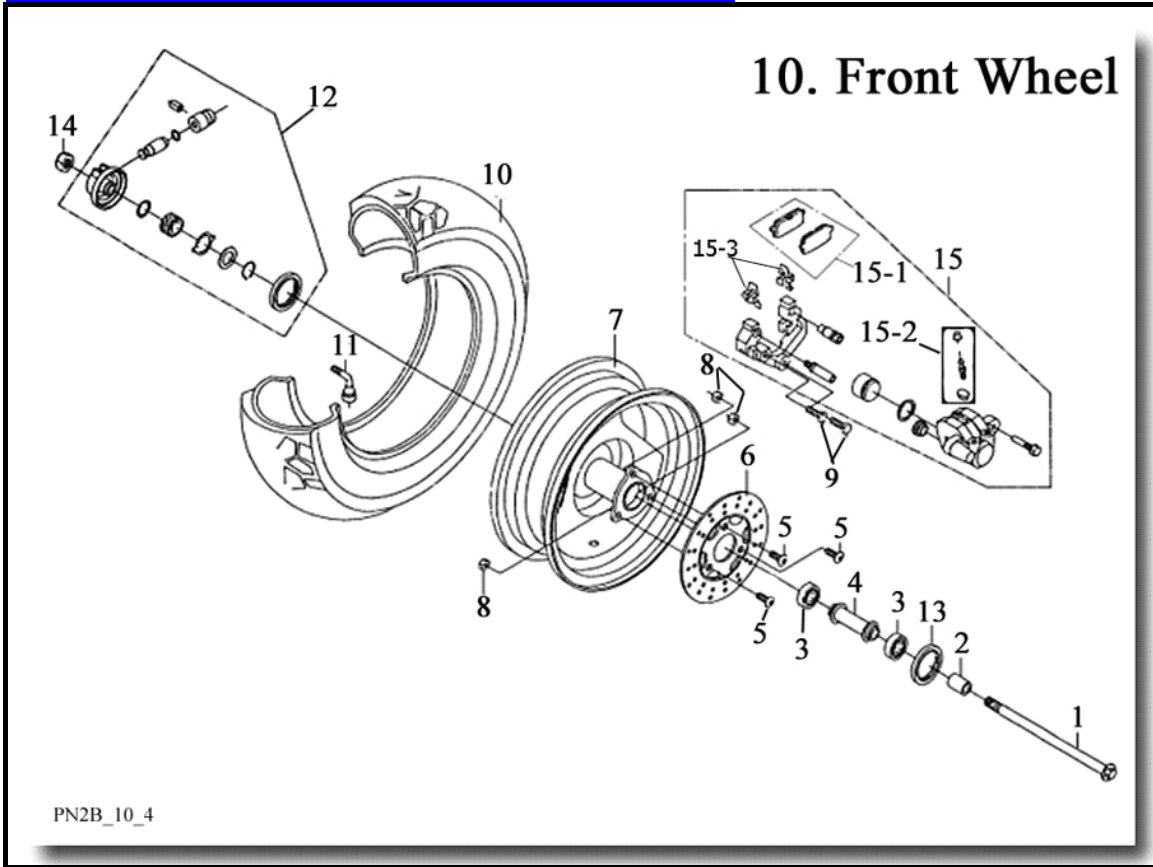
Fig Ref	Item No.	Description	Qty Req
8-1	750153	Counter Shaft	1
8-2	750387	Bearing (6200)	2
8-3	750154	Final Drive Shaft	1
8-4	650218	Bearing (6004LUA)	1
8-5	750330	Oil Seal [25x44x7]	1
8-6	750388	Radial Ball Bearing (6202)	1
8-7	811328	Transmission Cover (Beamer)	1
8-8	650153	Dowel Pin (10x14)	2
8-9	750146	Transmission Cover Gasket	1
8-10	750152	Primary Drive Gear	1
8-11	750389	Radial Ball Bearing (6203)	1
8-12	811318	Pivot Pin	1
8-13	750433	O-Ring 6.8x1.9	1
8-14	650228	Locking Flange Nut (M6x18)	1
8-15	750200	Brake Shoe (Set)	1
8-16	750202	Brake Arm	1
8-17	750434	Flange Bolt (M6x22)	1
8-18	750435	Lever Return Spring	1
8-19	750201	Rear Brake Cam	1

09. Engine & EPA Approved Exhaust
(Catalytic)



PN2_09A-07

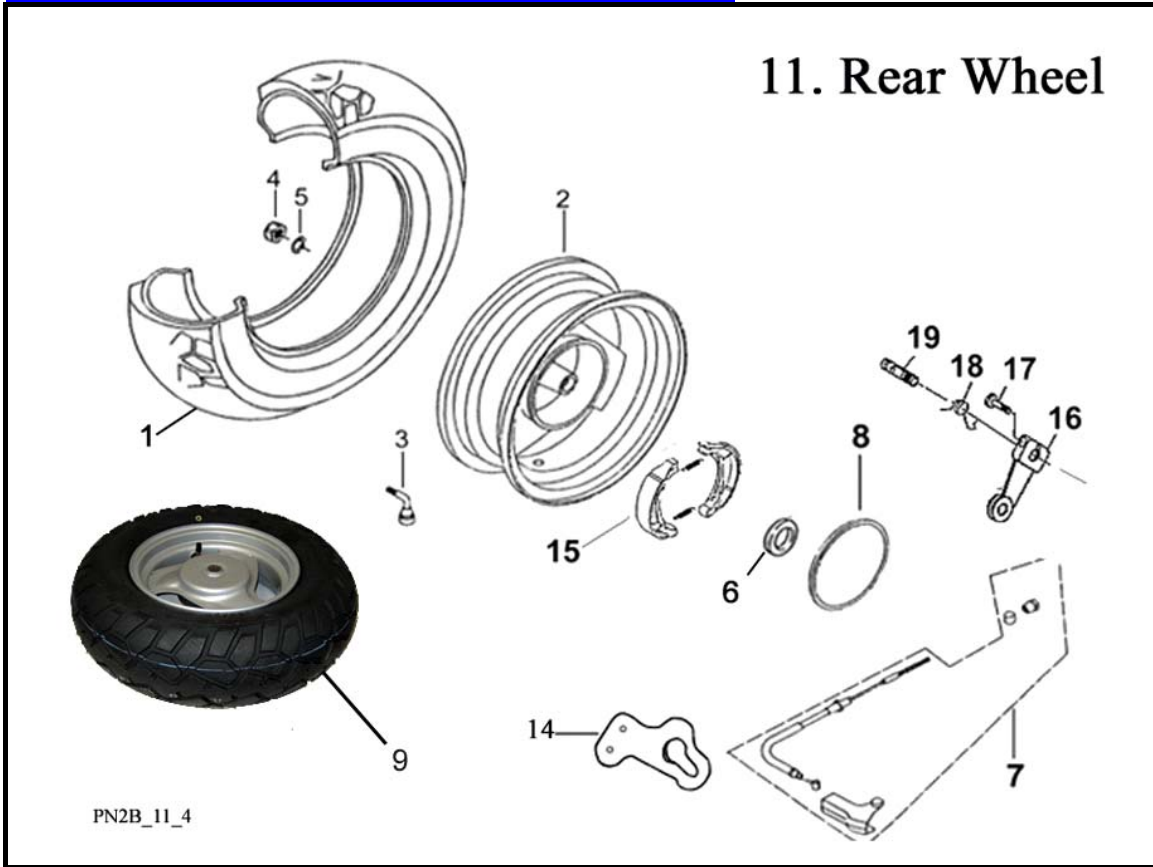
Fig Ref	Item No.	Description	Qty Req
9-1	812421	Exhaust Assy (EPA Approved)	1
9-1-1	812439	Exhaust Pipe (EPA Approved)	1
9-1-3	812433	Heat Shield	1
9-1-4	812435	Pan Head Bolt (M6x20)	2
9-1-5	812436	Insulator Gasket	2
9-1-6	812437	Isolator Grommet	3
9-1-7	812438	Insulator Gasket	3
9-1-8	812970	Washer	3
9-2	650243	Exhaust Muffler Gasket	1
9-3	650417	Flange Bolt (M8x30)	2
9-4	650242	Flange Bolt (M6x18)	2
9-5	811624	Emission Control Valve	1
9-6	812426	Emission Valve Tube Assy.	1
9-7	812427	Connecting Tube Assembly	1
9-8	812428	Insulation Washer (M6x17x3)	4
9-9	800339	Flange Bolt SH (M6x25)	2
9-10	811327	Engine 50cc Beamer	1



PN2B_10_4

Fig Ref	Item No.	Description	Qty Req
10-1	750205	Wheel Axle	1
10-2	750313	Collar (M12x22x20)	1
10-3	750391	Bearing (6201LU)	2
10-4	750206	Collar	1
10-5	750292	Allen Head Bolt (M10x20)	3
10-6	750214	Disc Brake Rotor	1
10-7	750207	Front Rim (3.5x10)	1
10-8	750375	Locking Flange Nut (M10x19)	3
10-9	750382	Flange Bolt (M8x30)	2
10-10	750208	Front Tire (120/90-10)	1
10-11	750351	Rim Valve	1
10-12	750209	Speedometer Sensor	1
10-13	650345	Oil Seal (22x35x7)	1
10-14	750370	Locking Flange Nut (M12x22)	1
10-15	750211	Front Brake Caliper	1
10-15-1	750003	Front Brake Pads (Set-2)	1
10-15-2	610010	Bleeder Valve & Cap	1
10-15-3	811543	Caliper Retainer Clips (Set)	1

11. Rear Wheel



PN2B_11_4

Fig Ref	Item No.	Description	Qty Req
11-1	750199	Rear Tire (130/90-10)	1
11-2	750197	Rear Rim & Brake Drum (3.5x10)	1
11-3	750351	Rim Valve	1
11-4	750303	Lock Nut (M15x24)	1
11-5	750310	Flat Washer (M18x25x1)	1
11-6	750198	Flat Washer (M20x35x5)	1
11-7	750203	Rear Brake Cable	1
11-8	750196	O-Ring Seal	1
11-9	812756	Rear Tire & Rim Assy. (Silver)	1
11-14	750369	Auto-Return Plate	1
11-15	750200	Brake Shoe (Set)	1
11-16	750202	Brake Arm	1
11-17	750434	Flange Bolt (M6x22)	1
11-18	750435	Lever Return Spring	1
11-19	750201	Rear Brake Cam	1

12. Main Stand & Kick Stand

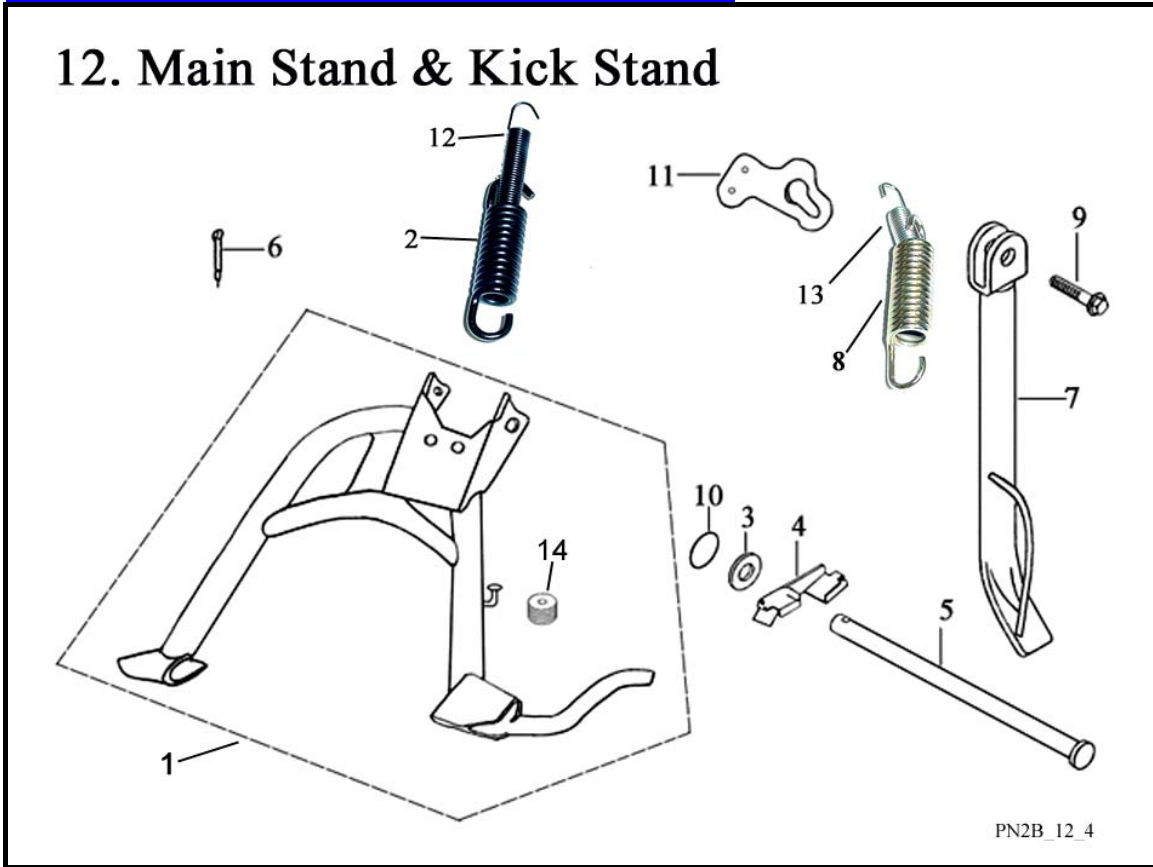


Fig Ref	Item No.	Description	Qty Req
12-1	750222	Main Stand	1
12-2	750365	Main Stand Outer Spring	1
12-3	750311	Rubber Flat Washer (M10x20x2)	1
12-4	750204	Rear Brake Cable Bracket	1
12-5	750312	Main Stand Pin	1
12-6	750319	Hair Pin Cotter	1
12-7	750223	Side Stand	1
12-8	750367	Side Stand Outer Spring	1
12-9	750289	Bolt (M10x50)	1
12-10	650822	O-Ring (24x9.8)	1
12-11	750369	Auto-Return Plate	1
12-12	750366	Main Stand Inner Spring	1
12-13	750368	Side Stand Inner Spring	1
12-14	812934	Main Stand Bushing	1

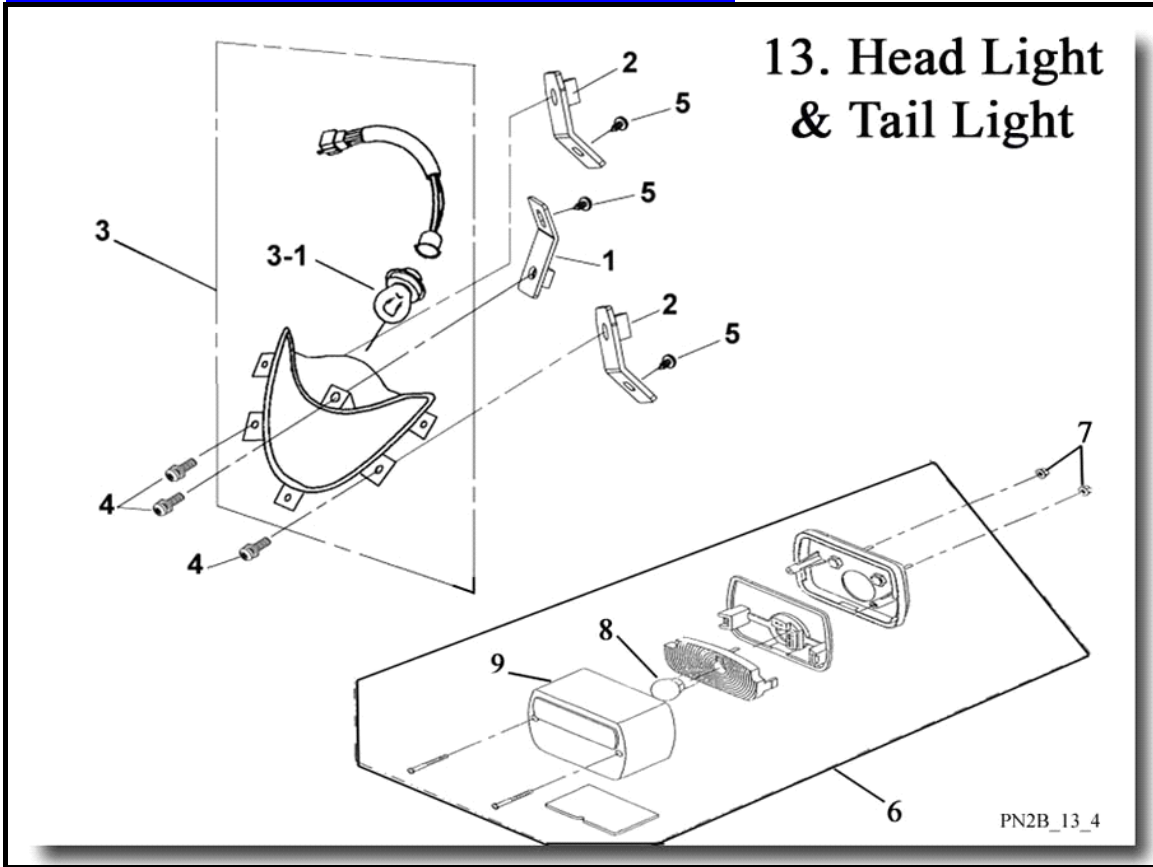


Fig Ref	Item No.	Description	Qty Req
13-1	811285	Head Light Bracket (A)	1
13-2	811286	Head Light Bracket (B)	2
13-3	811278	Head Light	1
13-3-1	811279	Sngl Headlight Bulb (12Vx35W)	1
13-3-1	813842	Optional Headlite Bulb 12Vx40W	1
13-4	650453	Pan Head Bolt & Washer (M6x16)	3
13-5	750293	Self-Tapping Screw (M4x15)	3
13-6	750180	Tail Light	1
13-7	750376	Flange Nut (M6x11)	2
13-8	610031	Tail Light Bulb (12Vx21/5w)	1
13-9	811346	Tail Light Lens	1

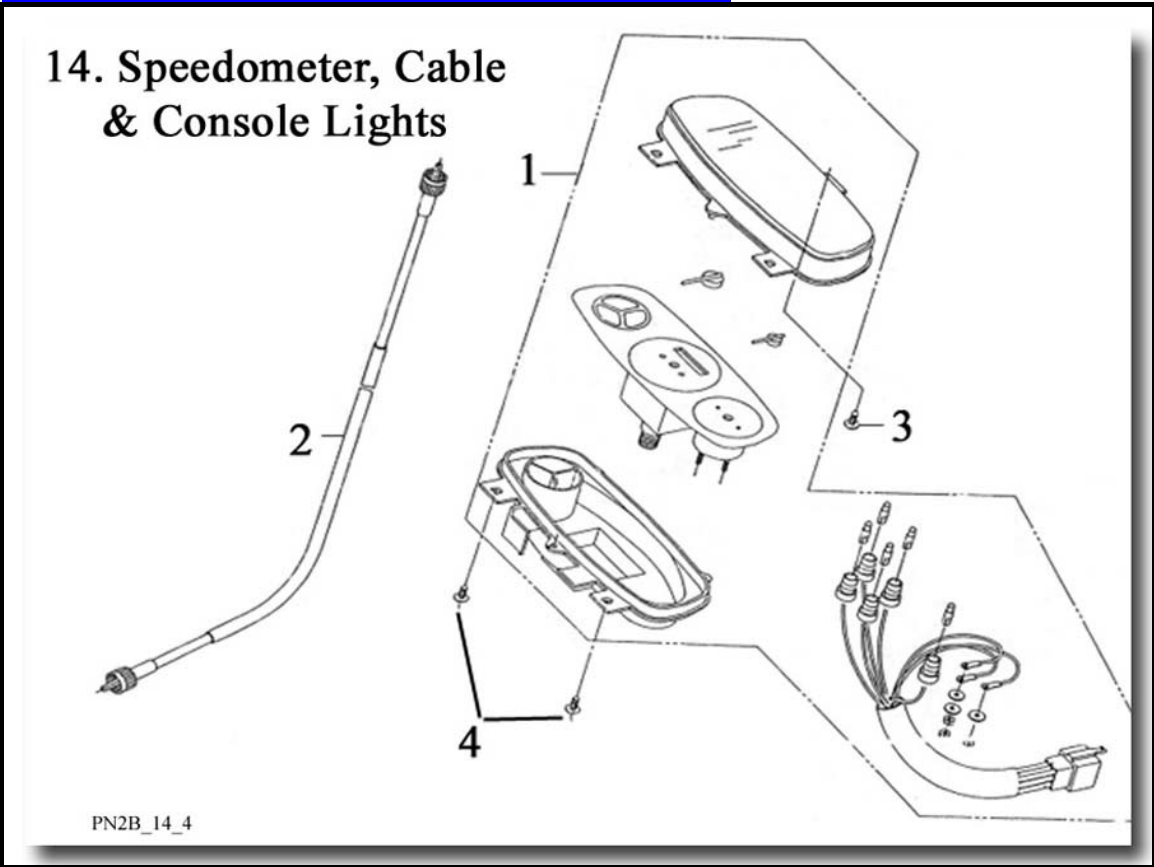


Fig Ref	Item No.	Description	Qty Req
14-1	750192	Instrument Console	1
14-2	812775	Speedometer Cable	1
14-3	750393	Self-Tapping Screw (M5x15)	1
14-4	750293	Self-Tapping Screw (M4x15)	2

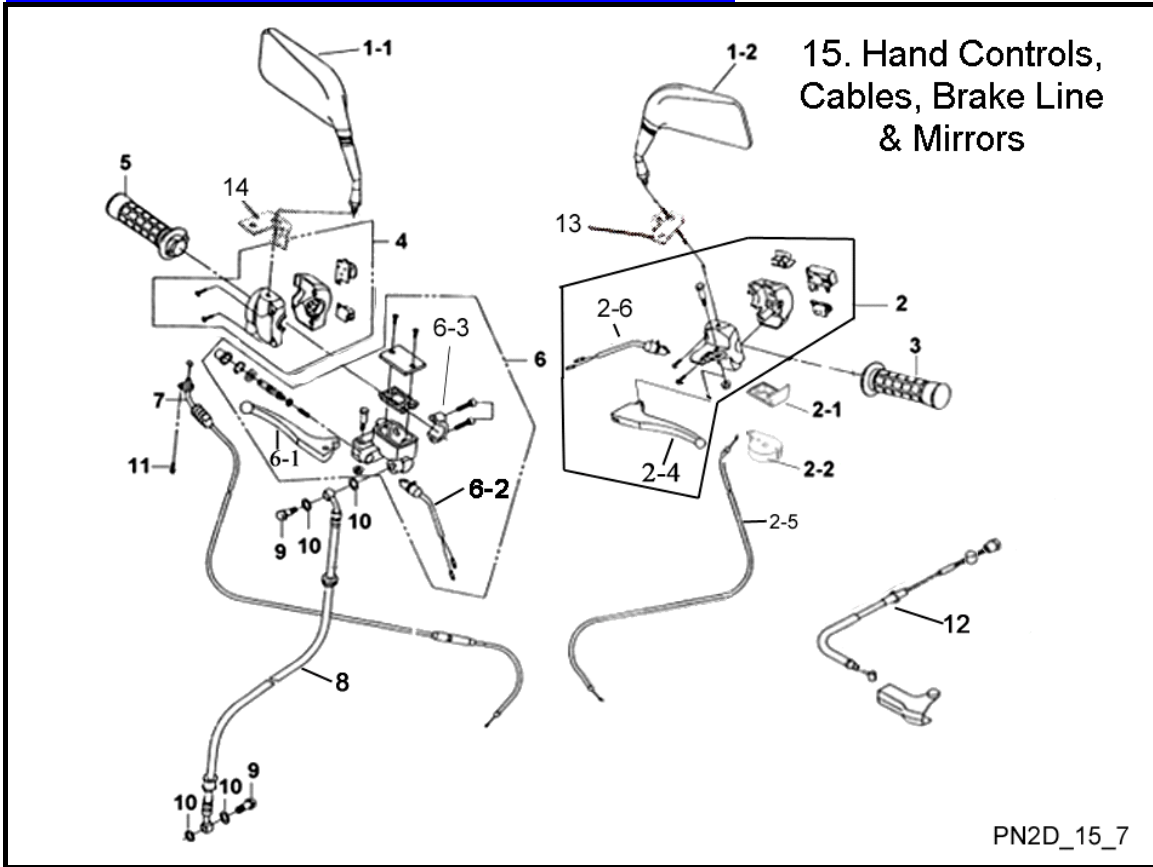


Fig Ref	Item No.	Description	Qty Req
15-1-1	750277	Rear View Mirror (RH)	1
15-1-2	750278	Rear View Mirror (LH)	1
15-2	811290	Hi-Lo & Starter Switch (LH)	1
15-2-1	811317	Manual Choke Lever Adaptor	1
15-2-2	811386	Manual Choke Lever	1
15-2-4	750429	Lever (only-LH)	1
15-2-5	811325	Manual Choke Cable	1
15-2-6	812409	Brake Safety Switch	1
15-3	750231	Handlebar Grip, (LH)	1
15-4	750229	Handlebar Switch (RH)	1
15-5	750230	Handlebar Throttle, (RH)	1
15-6	750215	Master Brake Cylinder	1
15-6-1	750430	Lever, (only)	1
15-6-2	812410	Brake Switch Assembly	1
15-6-3	812416	Master Cylinder Bottom Clamp	1
15-7	750139	Throttle Cable	1
15-8	750212	Hdraulic Brake Line	1
15-9	750314	Brake Hose Union Bolt	2
15-10	750309	Flat Washer (M10x12x1)	4
15-11	750397	Pan Head Bolt (M5x10)	1
15-12	750203	Rear Brake Cable	1
15-13	812794	Front Turn Signal Bracket (LH)	1
15-14	812795	Front Turn Signal Bracket (RH)	1

16A. Handlebar & Turn Signals (2006 to 2008 Model Year)

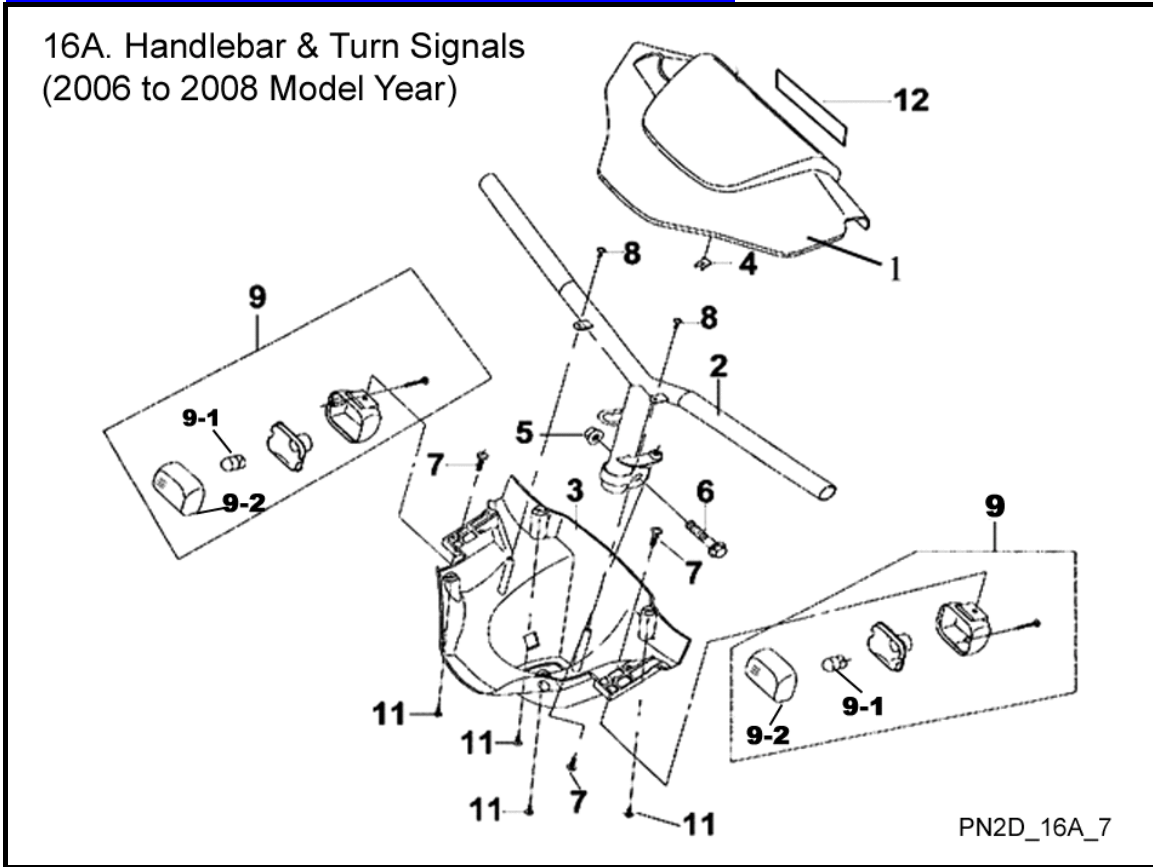
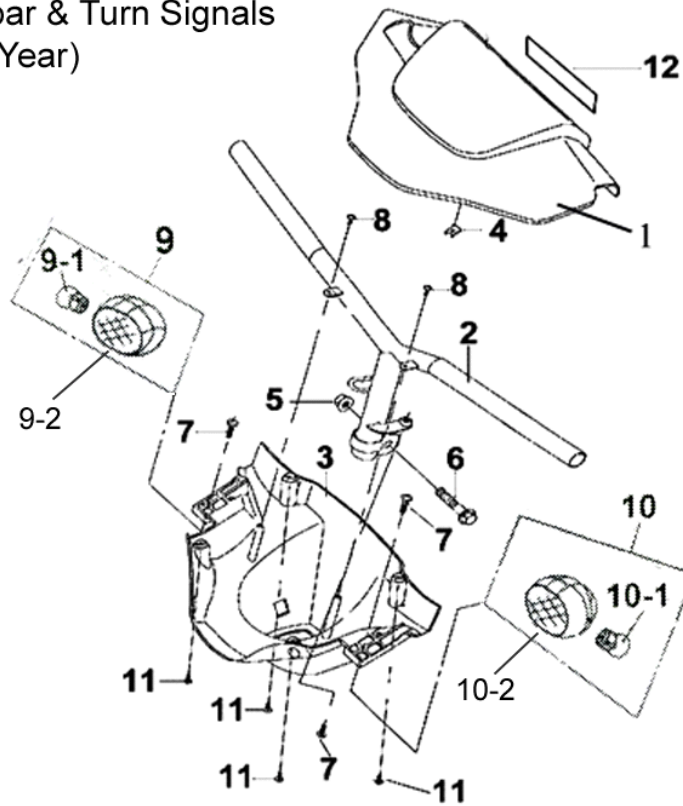


Fig Ref	Item No.	Description	Qty Req
16a-1	810448	Handlebar Cover (Black)	1
16a-1	810446	Handlebar Cover (Red)	1
16a-1	810449	Handlebar Cover (Blue)	1
16a-1	810445	Handlebar Cover (Yellow)	1
16a-2	750227	Handlebar	1
16a-3	811292	Handlebar Cover (Lower)	1
16a-4	750302	Spring Nut	1
16a-5	650255	Locking Flange Nut (M10x19)	1
16a-6	750288	Flange Bolt (M10x36)	1
16a-7	750282	Pan Head Bolt & Washer (M5x16)	3
16a-8	750393	Self-Tapping Screw (M5x15)	2
16a-9	750178	Front Turn Signal Light	2
16a-9-1	750005	Turn Signal Bulb (12Vx10W)	2
16a-9-2	811344	Turn Signal Lens (Amber)	2
16a-11	750293	Self-Tapping Screw (M4x15)	4
16a-12	750273	DOT Label	1

16B. Handlebar & Turn Signals (2009 Model Year)



PN2D_16B_7

Fig Ref	Item No.	Description	Qty Req
16b-1	810448	Handlebar Cover (Black)	1
16b-1	810446	Handlebar Cover (Red)	1
16b-1	810449	Handlebar Cover (Blue)	1
16b-1	810445	Handlebar Cover (Yellow)	1
16b-2	750227	Handlebar	1
16b-3	811292	Handlebar Cover (Lower)	1
16b-4	750302	Spring Nut (M6)	1
16b-5	650255	Locking Flange Nut (M10x19)	1
16b-6	750288	Flange Bolt (M10x36)	1
16b-7	811203	PanHead Bolt & Washer (M5x12)	3
16b-8	750393	Self-Tapping Screw (M5x15)	2
16b-9	812878	Front Turn Signal Light (RH)	1
16b-9-1	812883	Turn Signal Bulb (12Vx10W)	1
16b-9-2	813845	Turn Signal Lens (RH)	1
16b-10	812879	Front Turn Signal Light (LH)	1
16b-10-1	812883	Turn Signal Bulb (12Vx10W)	1
16b-10-2	813844	Turn Signal Lens (LH)	1
16b-11	750293	Self-Tapping Screw (M4x15)	4
16b-12	750273	DOT Label	1

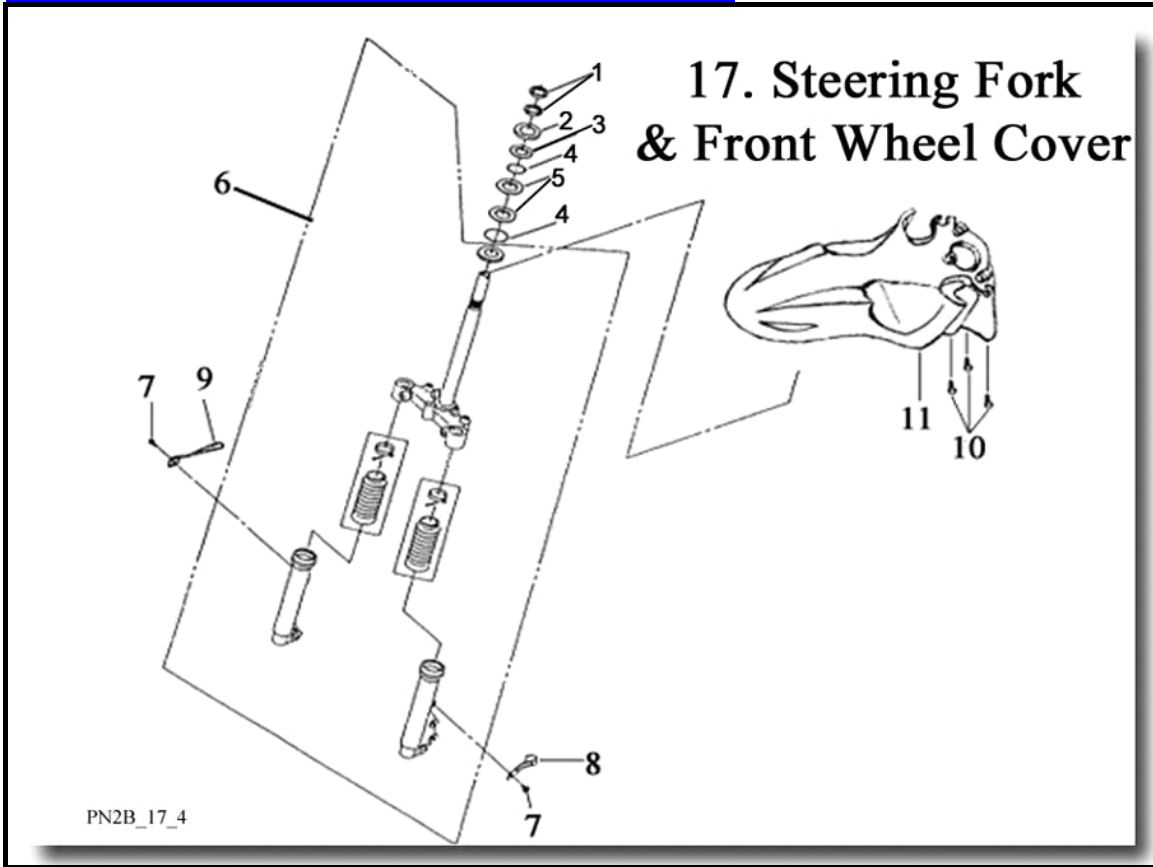
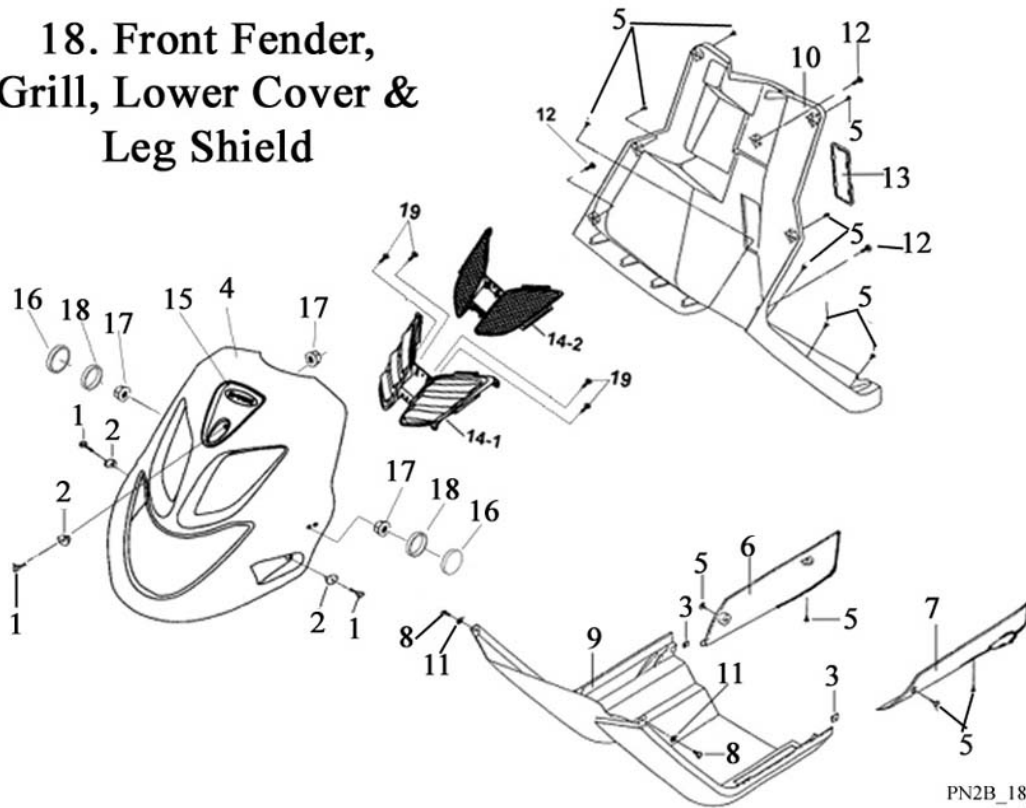


Fig Ref	Item No.	Description	Qty Req
17-1	750301	Locking Nut (M24x40x6)	2
17-2	750236	Bearing Race Cover	1
17-3	750218	Bearing Race (Upper)	1
17-4	750348	Ball Bearing Cage	2
17-5	750219	Bearing Race (Lower)	2
17-6	750233	Front Fork (Beamer)	1
17-7	750398	Pan Head Bolt (M6x10)	2
17-8	750213	Brake Hose Clamp	1
17-9	750232	Cable Holder	1
17-10	750290	Flange Bolt (M6x15)	3
17-11	810451	Front Wheel Cover (Red)	1
17-11	810454	Front Wheel Cover (Blue)	1
17-11	810450	Front Wheel Cover (Yellow)	1
17-11	810453	Front Wheel Cover (Black)	1

18. Front Fender, Grill, Lower Cover & Leg Shield



PN2B_18_4

Fig Ref	Item No.	Description	Qty Req
18-1	650270	Button Head Bolt (M6x17)	3
18-2	750401	Cover Retainer Grommet	3
18-3	750302	Spring Nut	2
18-4	811297	Front Fender (Blue)	1
18-4	811298	Front Fender (Yellow)	1
18-4	811296	Front Fender (Red)	1
18-4	811295	Front Fender (Black)	1
18-5	750393	Self-Tapping Screw (M5x15)	12
18-6	750262	Rocker Panel (RH)	1
18-7	750263	Rocker Panel (LH)	1
18-8	650311	Pan Head Bolt (M6x12)	2
18-9	750224	Lower Cover	1
18-10	750246	Leg Shield	1
18-11	750338	Flat Washer (M6x11x1)	2
18-12	650453	Pan Head Bolt & Washer (M6x16)	3
18-13	750247	VIN Number Cover	1
18-14-01	811287	Front Grill Plate (Beamer II)	1
18-14-02	811289	Front Grill Screen	1
18-15	811319	E-TON Graphic	1
18-16	750182	Circle Reflector (Amber)	2
18-17	750334	Nut (M6x10)	3
18-18	750189	Reflector Seat	2
18-19	750293	Self-Tapping Screw (M4x15)	4

19. Body Cover, Rear Rack & Foot Mat

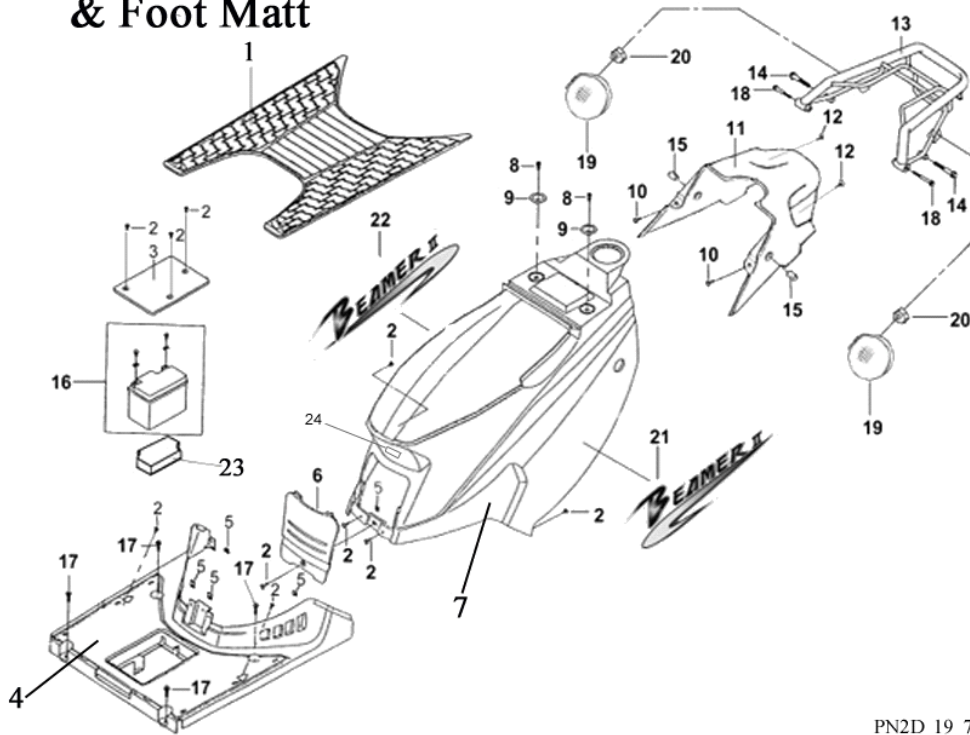


Fig Ref	Item No.	Description	Qty Req
19-1	750249	Footrest Rubber Mat	1
19-2	750393	Self-Tapping Screw (M5x15)	10
19-3	750220	Battery Cover	1
19-4	750248	Footrest Board	1
19-5	750302	Spring Nut	5
19-6	810439	Access Cover (Blue)	1
19-6	810435	Access Cover (Yellow)	1
19-6	810436	Access Cover (Red)	1
19-6	810438	Access Cover (Black)	1
19-7	810443	Body Cover (Black)	1
19-7	810441	Body Cover (Red)	1
19-7	810444	Body Cover (Blue)	1
19-7	810440	Body Cover (Yellow)	1
19-8	750305	Flange Bolt (M6x10)	2
19-9	750258	Seat Support	2
19-10	650453	Pan Head Bolt & Washer (M6x16)	2
19-11	810426	Back Cover (Red)	1
19-11	810429	Back Cover (Blue)	1
19-11	810425	Back Cover (Yellow)	1
19-11	810428	Back Cover (Black)	1
19-12	750308	Bolt & Washer (M5x16)	2
19-13	750400	Rear Rack	1
19-14	750307	Flange Bolt (M8x50)	2
19-15	750399	Spacer	2
19-16	750173	Battery (GTX5L-BS)	1
19-17	650901	Bolt & Washer (M6x20)	4

19. Body Cover, Rear Rack & Foot Mat

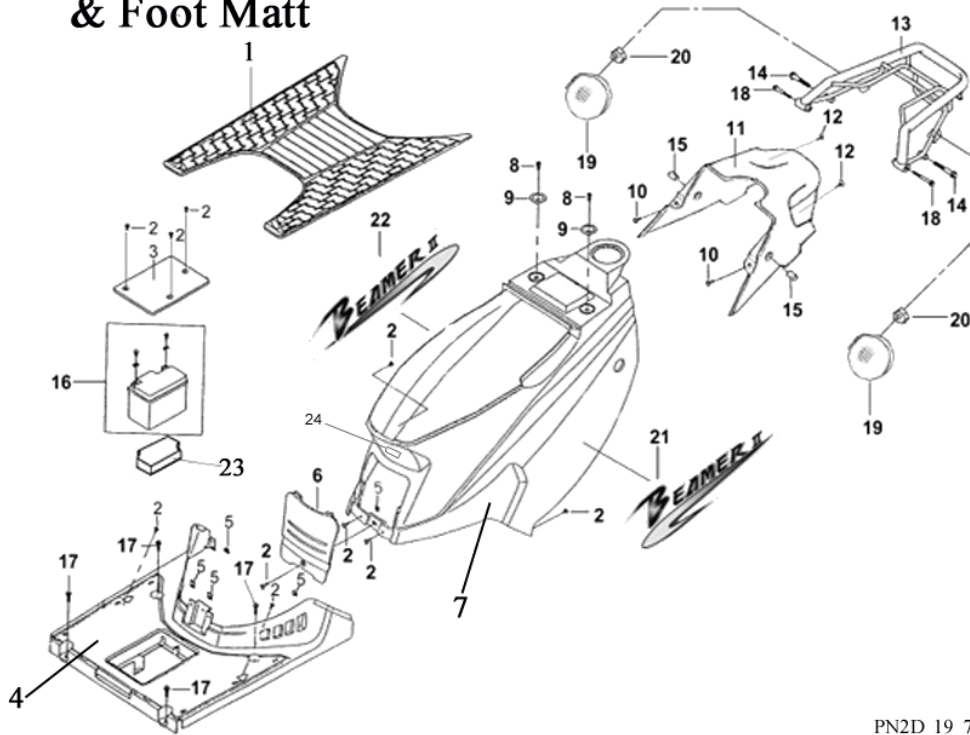
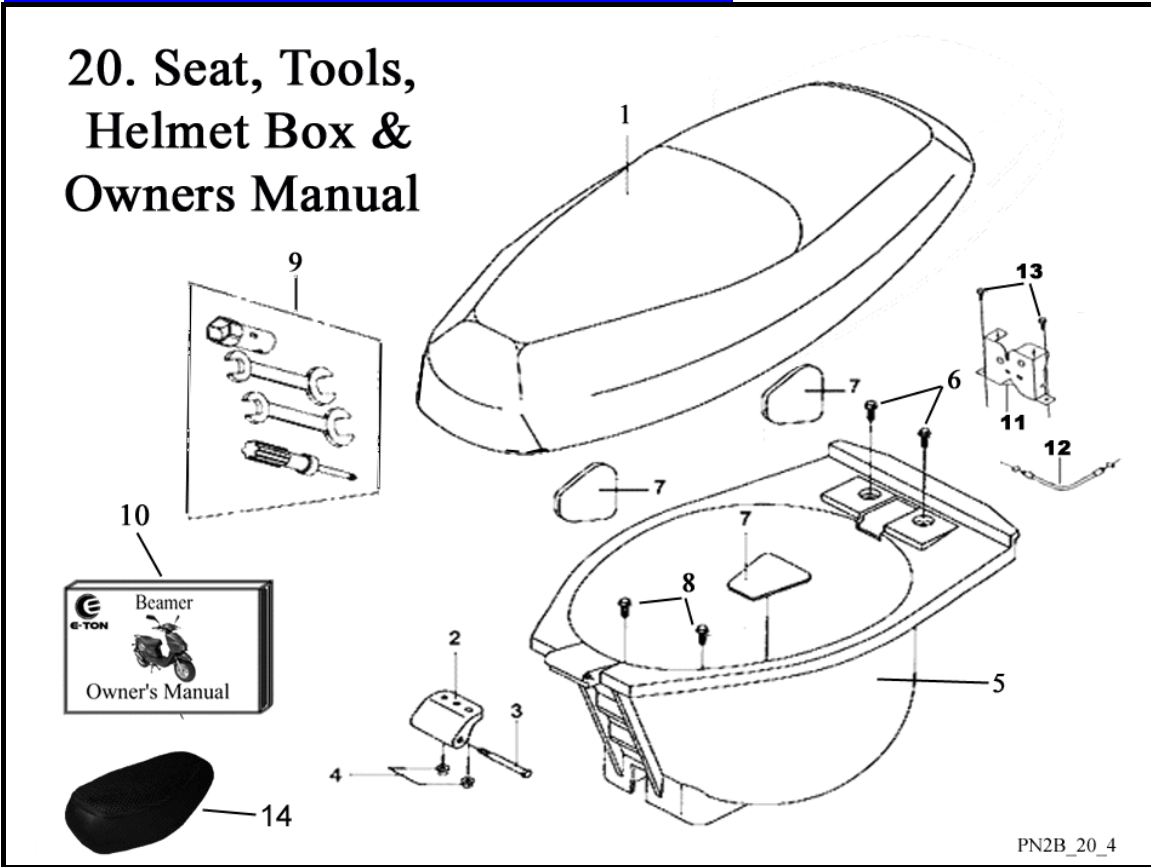


Fig Ref	Item No.	Description	Qty Req
19-18	750306	Flange Bolt (M6x50)	2
19-19	750183	Circle Reflector (Red)	2
19-20	750334	Nut (M6x10)	2
19-21	812419	Beamer III Graphic LH (06)	1
19-22	812420	Beamer III Graphic RH (06)	1
19-23	750437	Battery Pad	1
19-24	812424	Emission Control Label	1



PN2B_20_4

Fig Ref	Item No.	Description	Qty Req
20-1	750254	Seat	1
20-2	750256	Seat Hinge	1
20-3	750403	Hinge Pin Bolt (M6x70)	1
20-4	750376	Flange Nut (M6x11)	2
20-5	750260	Helmet Box	1
20-6	650901	Bolt & Washer (M6x20)	2
20-7	750261	Foam Isolator Pad	3
20-8	650940	Bolt & Washer (M6x25)	2
20-9	650728	Tool Kit	1
20-10	812787	Owners Manual (Beamer)	1
20-11	750257	Seat Lock	1
20-12	750255	Seat Lock Release Cable	1
20-13	650295	Flange Bolt (M6x16)	2
20-14	813850	Heat Insulation Seat Cover	1

21A. License Plate Holder & Rear Turn Signals (2006-2008 Model Year)

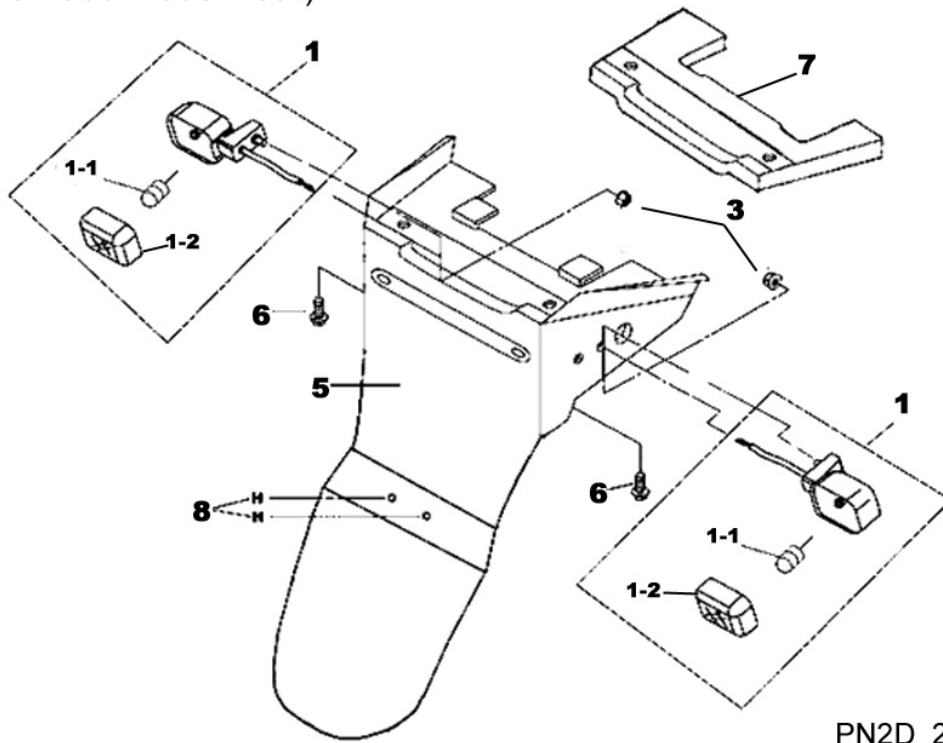
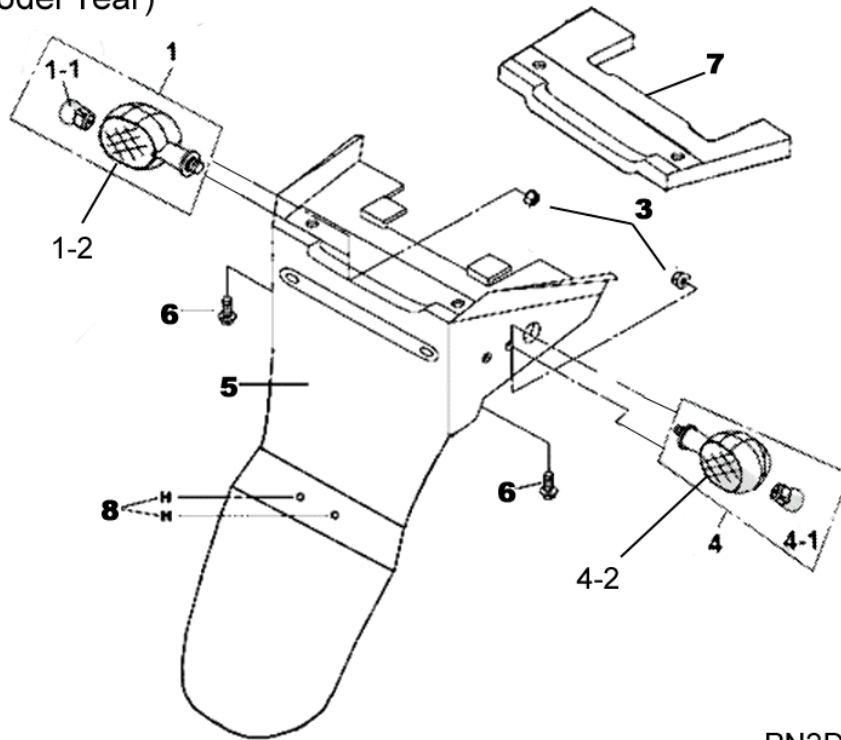


Fig Ref	Item No.	Description	Qty Req
21a-1	750181	Rear Turn Signal Light	2
21a-1-1	750005	Turn Signal Bulb (12Vx10W)	2
21a-1-2	811344	Turn Signal Lens (Amber)	2
21a-3	800504	Locking Flange Nut (M6x11)	2
21a-5	750266	License Plate Holder	1
21a-6	750379	Bolt & Washer (M6x25)	2
21a-7	750267	License Plate Pad	1
21a-8	750268	Rubber Plug	2

21B. License Plate Holder & Rear Turn Signals
(2009 Model Year)



PN2D_21B_7

Fig Ref	Item No.	Description	Qty Req
21b-1	812881	Rear Turn Signal Light (LH)	1
21b-1-1	812883	Turn Signal Bulb (12Vx10W)	1
21b-1-2	813844	Turn Signal Lens (LH)	1
21b-3	800504	Locking Flange Nut (M6x11)	2
21b-4	812880	Rear Turn Signal Light (RH)	1
21b-4-1	812883	Turn Signal Bulb (12Vx10W)	1
21b-4-2	813845	Turn Signal Lens (RH)	1
21b-5	750266	License Plate Holder	1
21b-6	750379	Bolt & Washer (M6x25)	2
21b-7	750267	License Plate Pad	1
21b-8	750268	Rubber Plug	2

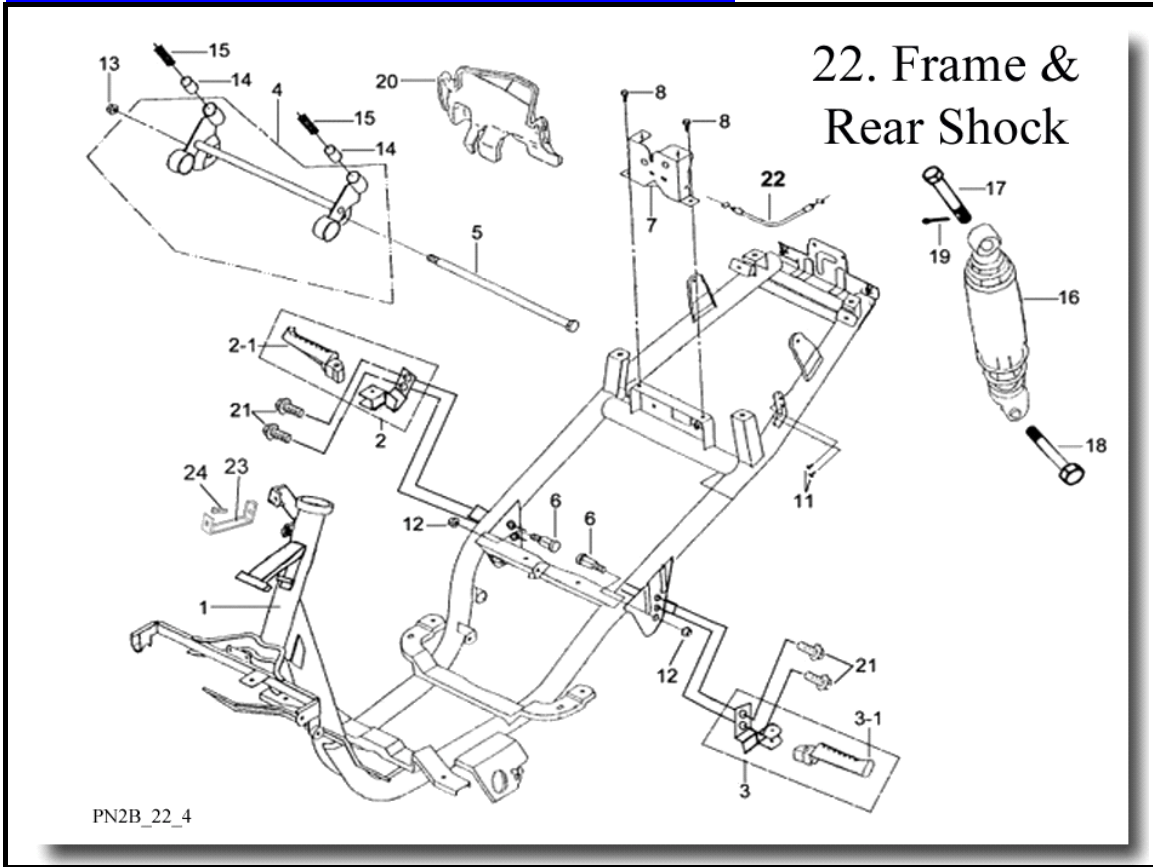


Fig Ref	Item No.	Description	Qty Req
22-1	811284	Frame	1
22-2	750251	Footrest & Mount Bracket (RH)	1
22-2-1	750253	Footrest (RH)	1
22-3	750250	Footrest & Mount Bracket (LH)	1
22-3-1	750252	Footrest (LH)	1
22-4	750221	Engine Hanger	1
22-5	750280	Engine Mount Bolt (M10x280)	1
22-6	750241	Frame Bolt (M10x40)	2
22-7	750257	Seat Lock	1
22-8	650295	Flange Bolt (M6x16)	2
22-11	750336	Pan Head Bolt & Washer (M5x10)	2
22-13	750370	Locking Flange Nut (M12x22)	1
22-14	750240	Engine Mount Isolators	2
22-15	750322	Compression Spring	2
22-16	750226	Rear Shock Absorber	1
22-17	750286	Flange Bolt (M10x31)	1
22-18	650927	Flange Bolt (M8x35)	1
22-19	750318	Hair Pin Cotter	1
22-20	750242	Protective Cover	1
22-21	750380	Flange Bolt (M8x20)	4
22-22	750255	Seat Lock Release Cable	1
22-23	811349	Fender Bracket	1
22-24	750381	Flange Bolt (M6x12)	1

23. Fuel & Oil Tanks

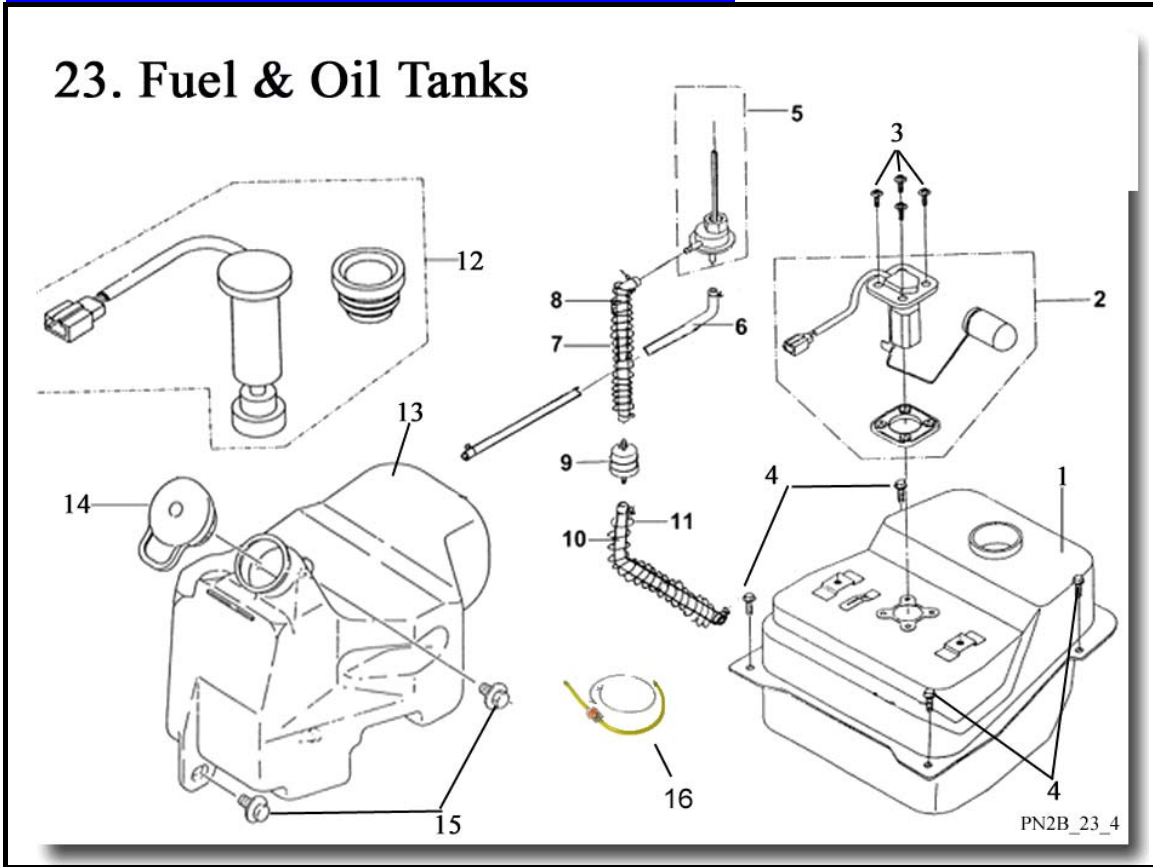
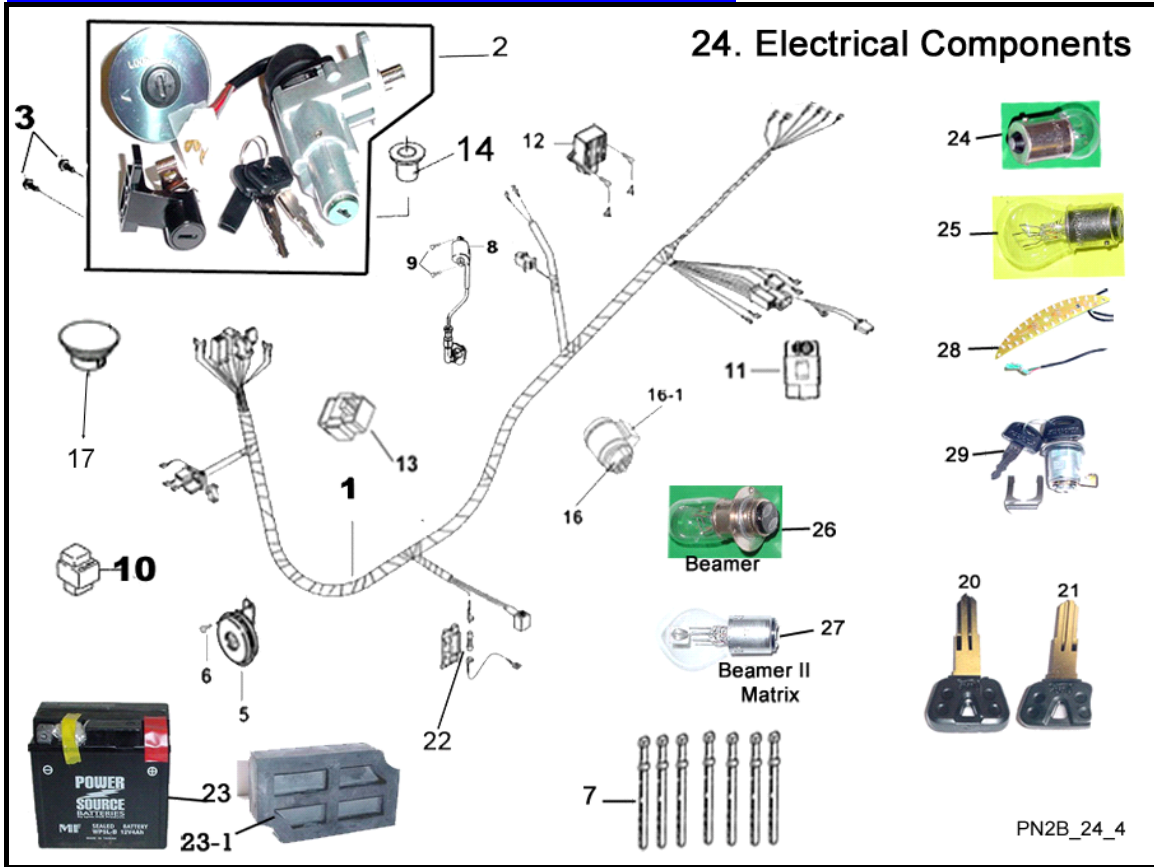
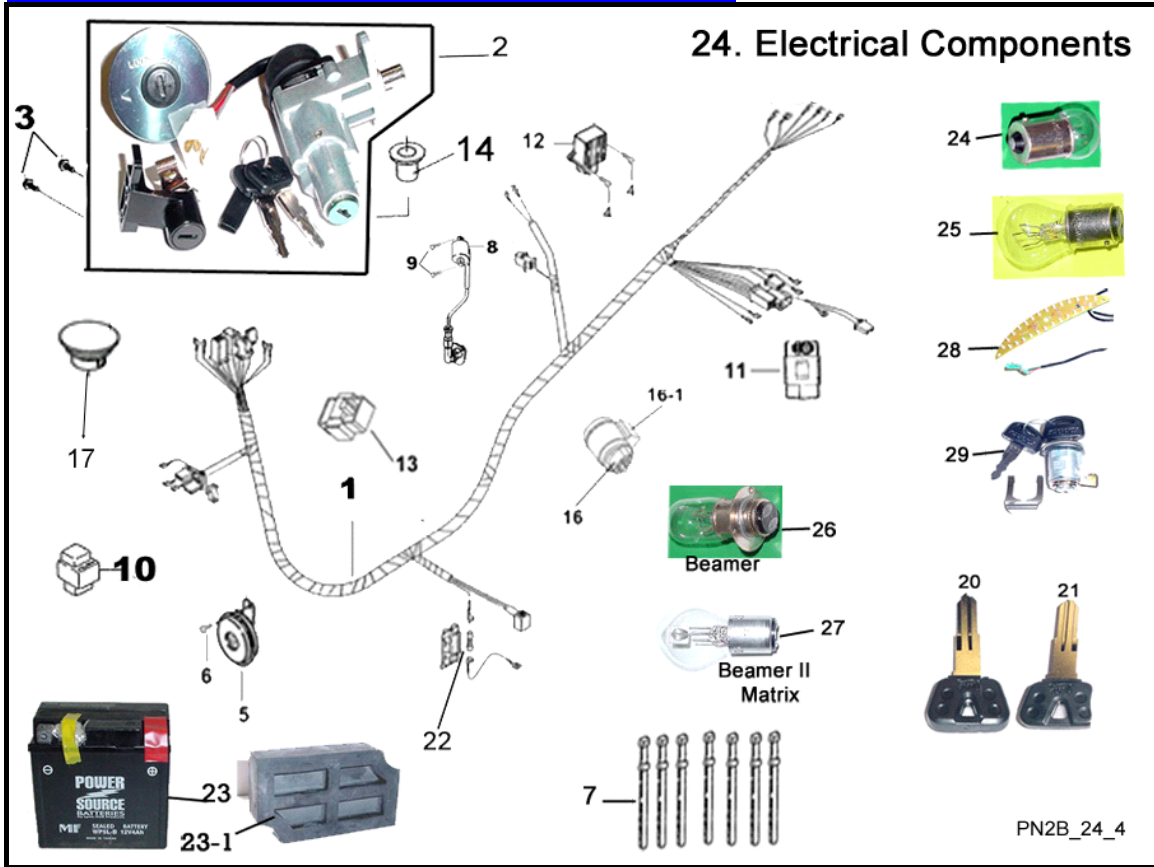


Fig Ref	Item No.	Description	Qty Req
23-1	750134	Fuel Tank (Metal)	1
23-1	811539	Fuel Tank (Plastic)	1
23-2	750193	Fuel Level Sending Unit	1
23-3	750294	Bolt & Washer (M5x15)	4
23-4	650901	Bolt & Washer (M6x20)	4
23-5	750128	Fuel Petcock (Vacuum)	1
23-6	750137	Vacuum Line	1
23-7	750320	Fuel Line Protector	1
23-8	750136	Fuel Line - A	1
23-9	800002	Fuel Filter Element	1
23-10	750138	Fuel Line - B	1
23-11	750321	Fuel Line Protector	1
23-12	750190	Oil Level Sending Unit	1
23-13	750237	Oil Tank	1
23-14	650323	Oil Tank Cap	1
23-15	650262	Bolt Washer & Nut (M6x18)	2
23-16	813841	Beamer Premium Fuel Line Kit	1



PN2B_24_4

Fig Ref	Item No.	Description	Qty Req
24-01	811332	Wiring Harness	1
24-02	750185	Key Set (3pcs & Keys)	1
24-03	750396	Break Head Bolt (M6x20)	2
24-04	650453	Pan Head Bolt & Washer (M6x16)	2
24-05	650975	Horn	1
24-06	750395	Pan Head Bolt (M6x10)	1
24-07	650451	Wire Zip Ties	7
24-08	750169	Ignition Coil	1
24-09	650454	Pan Head Bolt & Washer (M6x20)	2
24-10	650459	Starter Relay	1
24-11	812796	C.D.I. Module (15/25mph)	1
24-12	750175	Rectifier	1
24-13	810424	Light Controller Module	1
24-14	750436	Ignition Switch Cap	1
24-16	750195	Flasher Relay	1
24-16-1	810459	Flasher Mounting Strap	1
24-17	813273	Fuel Tank Cap (Keyless)	1
24-20	750025	Beamer Blank Key (Left Cut)	1
24-21	811274	Beamer Blank Key (Right Cut)	1
24-22	650565	Fuse (7A)	1
24-23	750173	Battery (WP5L-BS)	1
24-23-1	750437	Battery Pad	1
24-24	750005	Turn Signal Bulb (12Vx10W)	4
24-25	610031	Tail/Brake Light 12Vx21/5w	1
24-26	750002	Headlight Bulb (12v18/18w)	1
24-27	811279	Headlight Bulb (12Vx35/35W)	1



24. Electrical Components

Fig Ref	Item No.	Description	Qty Req
24-28	811343	Luggage Box LED	1
24-29	811342	Luggage Box Lock & Key Set	1

PN2B_24_4

25. Optional Accessories



PN2B_25_4

Fig Ref	Item No.	Description	Qty Req
25-1	811338	Blue Standard Luggage Box	1
25-1	811339	Red Standard Luggage Box	1
25-1	811340	Black Standard Luggage Box	1
25-1	811341	Yellow Standard Luggage Box	1
25-1-1	811308	Luggage Box Back Pad	1
25-1-2	812758	Luggage Box Hardware Kit	1
25-2	811277	Hi-Flow Exhaust Muffler Ass.	1
25-4	990018	Beamer Yellow Touch Up Paint	1
25-5	990019	Beamer Black Touch Up Paint	1
25-6	990020	Beamer Blue Touch Up Paint	1
25-7	812305	Luggage Box Latch Assembly	1
25-8	811342	Luggage Box Lock & Key Set	1
25-9	750025	Beamer Blank Key (Left Cut)	1
25-10	811274	Beamer Blank Key (Right Cut)	1
25-11	990021	Beamer Red Touch Up Paint	1
25-12	812991	Rear LED Turn Signal (L&R)	1
25-13	812992	Rear LED Turn Signal (L&R)	1
25-14	812133	Euro Sport Mirror (RH)	1
25-15	812134	Euro Sport Mirror (LH)	1
25-16	813461	Standard Scooter Windshield	1
25-17	813841	Beamer Premium Fuel Line Kit	1
25-18	813850	Heat Insulation Seat Cover	1
25-19	814412	Black Economy Luggage Box	1
25-20	814413	Red Economy Luggage Box	1
25-21	814125	Deluxe Detachable Luggage Box	1
25-21-1	814415	Detachable Box Hardware Kit	1

25. Optional Accessories



PN2B_25_4

Fig Ref	Item No.	Description	Qty Req
25-21-2	814416	Box Lock, Reflector & Pad Set	1
25-22	814414	Deluxe Scooter Windshield	1